



US00D710911S

(12) **United States Design Patent**
Iwata et al.

(10) **Patent No.:** **US D710,911 S**
(45) **Date of Patent:** **** Aug. 12, 2014**

(54) **TRACTOR**
(71) Applicant: **Kubota Corporation**, Osaka (JP)
(72) Inventors: **Norihide Iwata**, Kishiwada (JP); **Akari Kakudate**, Sakai (JP); **Junta Kuwae**, Sakai (JP)

D605,668 S * 12/2009 Matsumoto et al. D15/23
D613,313 S * 4/2010 Bhanuprakash D15/23
D613,777 S * 4/2010 Bianco et al. D15/33
D622,292 S * 8/2010 Ryczek et al. D15/15
D622,295 S * 8/2010 Ryczek et al. D15/31
D641,027 S * 7/2011 Kawashiri et al. D15/23

(73) Assignee: **Kubota Corporation**, Osaka (JP)
(**) Term: **14 Years**

FOREIGN PATENT DOCUMENTS
EM 000220405-0008 11/2004
JP D1235212 S 4/2005
KR 3003844890000 6/2005

(21) Appl. No.: **29/468,464**
(22) Filed: **Sep. 30, 2013**

OTHER PUBLICATIONS
Kubota Tractor Corporation/B Series B3200HSD, <http://www.kubota.com/product/B3200.B3200.aspx> Sep. 2008, Japan.

(30) **Foreign Application Priority Data**
May 31, 2013 (JP) 2013-012180

* cited by examiner
Primary Examiner — Mark Goodwin
(74) *Attorney, Agent, or Firm* — Masuvalley & Partners

(51) **LOC (10) Cl.** **12-09**
(52) **U.S. Cl.**

(57) **CLAIM**
The ornamental design for a tractor, as shown and described.

USPC **D15/23**
(58) **Field of Classification Search**
USPC D15/10, 14–17, 22–26, 28, 30, 31;
D12/173; 56/13.4, 13.3, 15.8, 15.9,
56/16.1, 16.7, 175, 202, 320.1; 180/89.1,
180/89.12, 900, 69.2, 68.1, 69.1
See application file for complete search history.

DESCRIPTION

(56) **References Cited**
U.S. PATENT DOCUMENTS

FIG. 1 is a perspective view of the tractor according to the invention;
FIG. 2 is a right side elevation view of the tractor of FIG. 1;
FIG. 3 is a left side elevation view of the tractor of FIG. 1;
FIG. 4 is a front elevation view of the tractor of FIG. 1;
FIG. 5 is a rear elevation view of the tractor of FIG. 1; and,
FIG. 6 is a top plan view of the tractor of FIG. 1.
The broken line disclosure, as well as line shading in parts of the drawings are included for the purpose of illustrating use and environment and form no part of the claimed design.

D438,546 S * 3/2001 Katoh et al. D15/23
D501,487 S * 2/2005 Katoh et al. D15/23
D522,537 S * 6/2006 Higashikawa
D547,333 S * 7/2007 Nishi et al. D15/23
D553,159 S * 10/2007 Higashikawa et al. D15/23
D581,953 S * 12/2008 Matsumoto et al. D15/23
D599,826 S * 9/2009 Kuwae D15/26

1 Claim, 6 Drawing Sheets

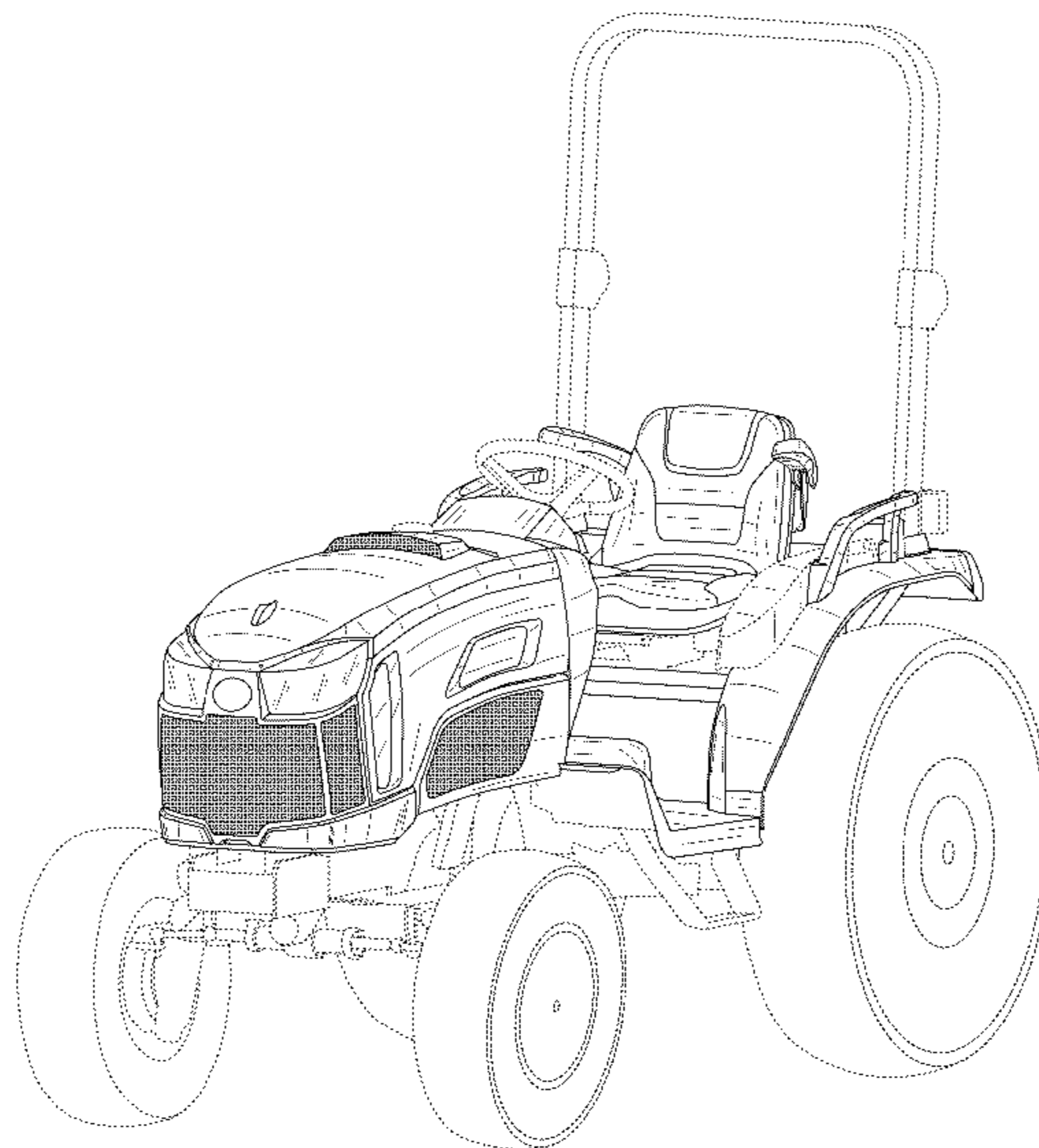


FIG. 1

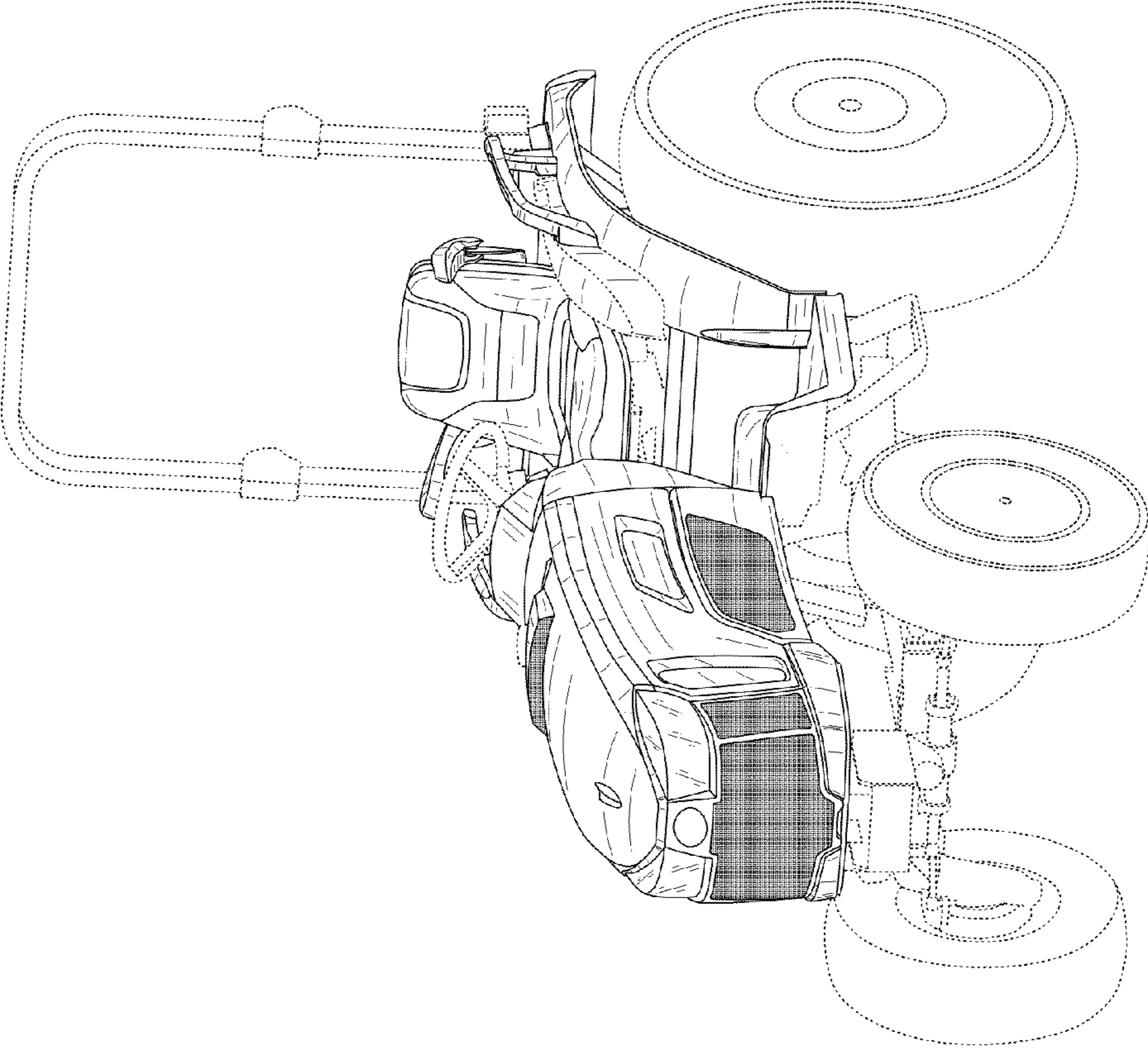


FIG. 2

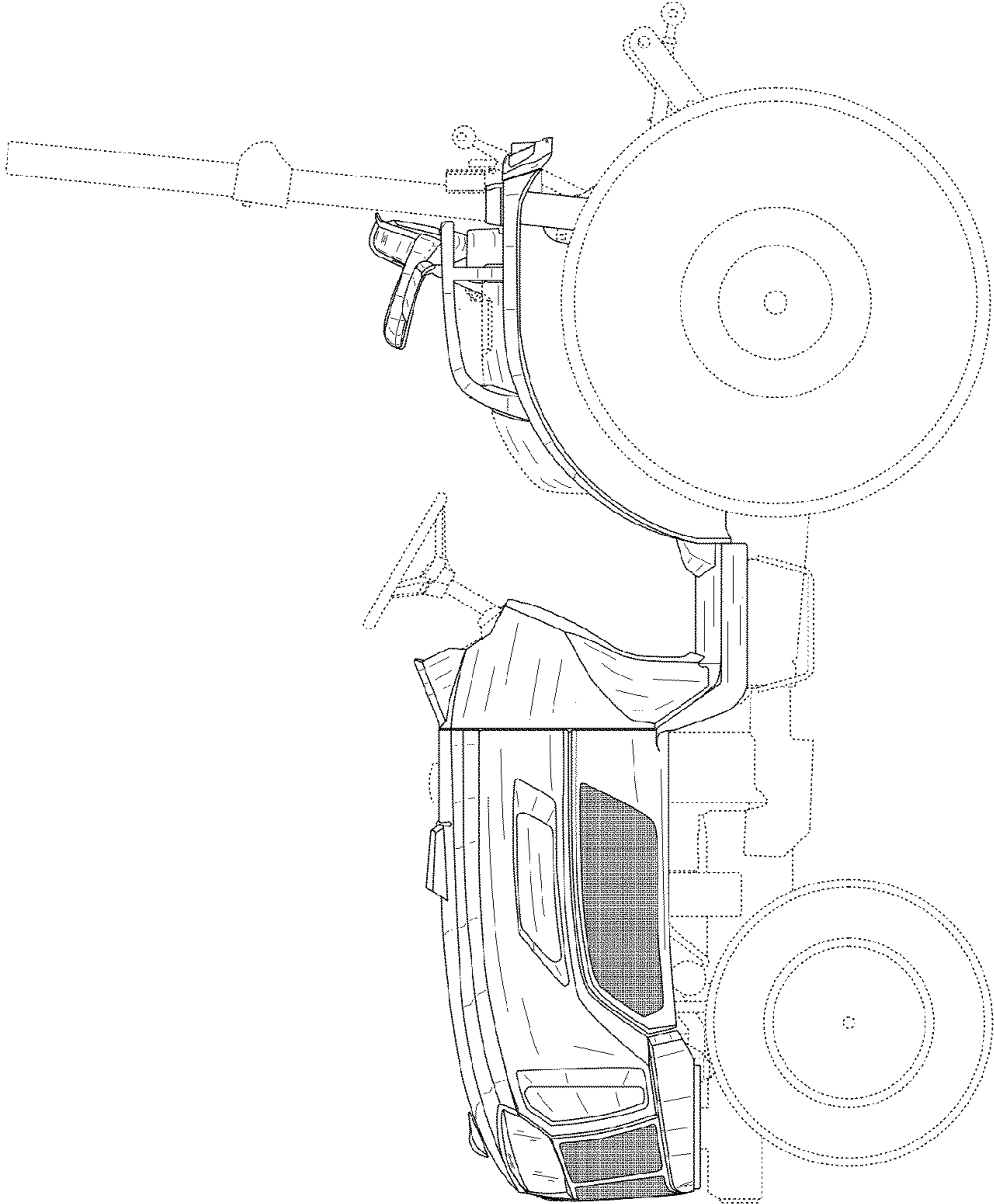


FIG. 3

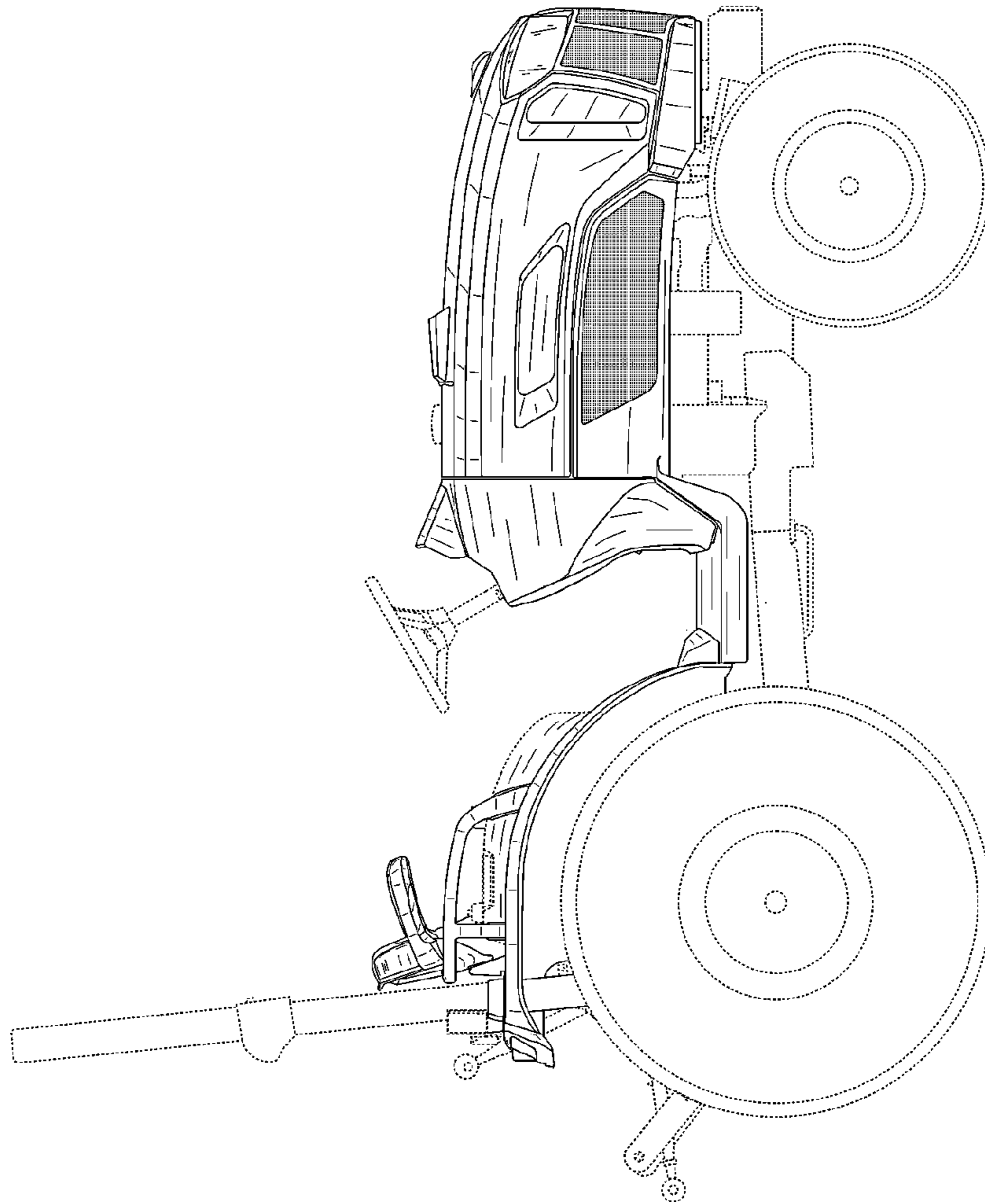


FIG. 4

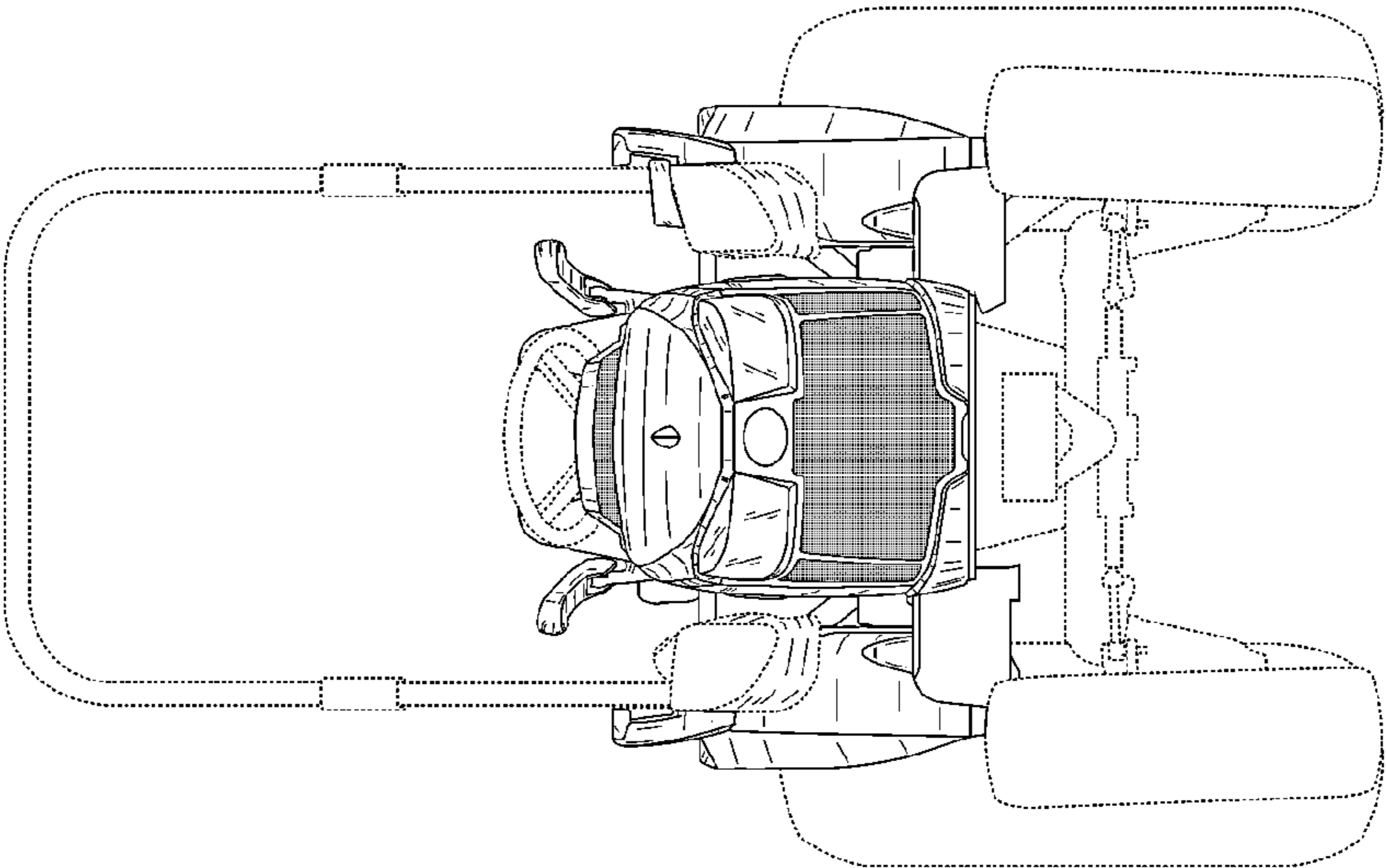


FIG. 5

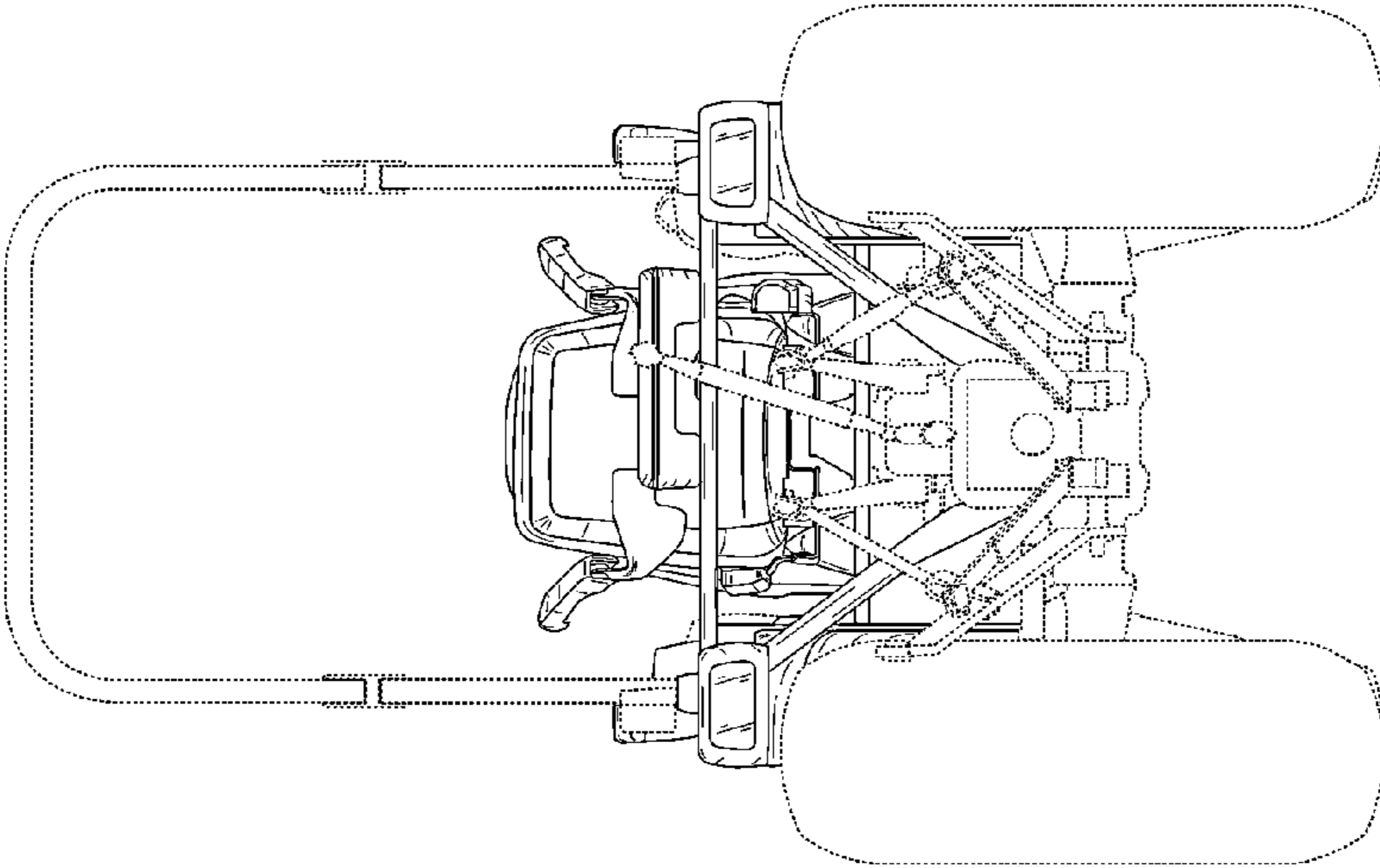


FIG. 6

