



US00D710910S

(12) **United States Design Patent**  
**Call**

(10) **Patent No.:** **US D710,910 S**

(45) **Date of Patent:** **\*\* Aug. 12, 2014**

(54) **LAWN CARE PRODUCT AND TOOL CADDY ASSEMBLY**

D484,701 S \* 1/2004 Fabregas ..... D3/315  
2007/0045367 A1\* 3/2007 Easom ..... 224/401  
2009/0266856 A1\* 10/2009 Ponce et al. .... 224/401

(71) Applicant: **Glen A. Call**, Saginaw, MI (US)

\* cited by examiner

(72) Inventor: **Glen A. Call**, Saginaw, MI (US)

*Primary Examiner* — Mark Goodwin

(\*\*) Term: **14 Years**

(74) *Attorney, Agent, or Firm* — Robert L. Farris; Farris Law, P.C.

(21) Appl. No.: **29/465,453**

(57) **CLAIM**

(22) Filed: **Aug. 28, 2013**

The ornamental design for a lawn care product and tool caddy assembly, shown and described.

(51) **LOC (10) Cl.** ..... **15-03**

(52) **U.S. Cl.**  
USPC ..... **D15/17**

**DESCRIPTION**

(58) **Field of Classification Search**  
USPC ..... D15/10, 17, 18, 28; D12/406–408, 410,  
D12/411; D6/467, 571; D7/590, 571;  
D3/35, 310, 318, 319, 328; 224/401,  
224/548, 560, 564, 558, 567, 570, 571, 282  
See application file for complete search history.

FIG. 1 is a top front perspective view of the lawn care product and tool caddy assembly showing my new design in a mounted in use position;  
FIG. 2 is a top front perspective view thereof shown in an alternate mounted in use position;  
FIG. 3 is an exploded top front perspective view thereof;  
FIG. 4 is a top plan view thereof;  
FIG. 5 is a bottom plan view thereof;  
FIG. 6 is a front elevational view thereof;  
FIG. 7 is a rear elevational view thereof;  
FIG. 8 is a left end elevational view thereof; and,  
FIG. 9 is a right end elevational view thereof.

(56) **References Cited**

**U.S. PATENT DOCUMENTS**

D228,972 S \* 10/1973 Bealer ..... D12/420  
D280,729 S \* 9/1985 Paternostro ..... D15/17  
5,040,711 A \* 8/1991 Niederhauser et al. .... 224/572  
5,417,353 A \* 5/1995 Stall ..... 224/401  
D397,278 S \* 8/1998 Wang ..... D7/701  
6,029,841 A \* 2/2000 Fotherby et al. .... 220/23.87  
D442,409 S \* 5/2001 Curran ..... D6/559

The broken line showing of a handle in FIGS. 1 and 2 is included for the purpose of illustrating environmental structure only and forms no part of the claimed design.

**1 Claim, 5 Drawing Sheets**

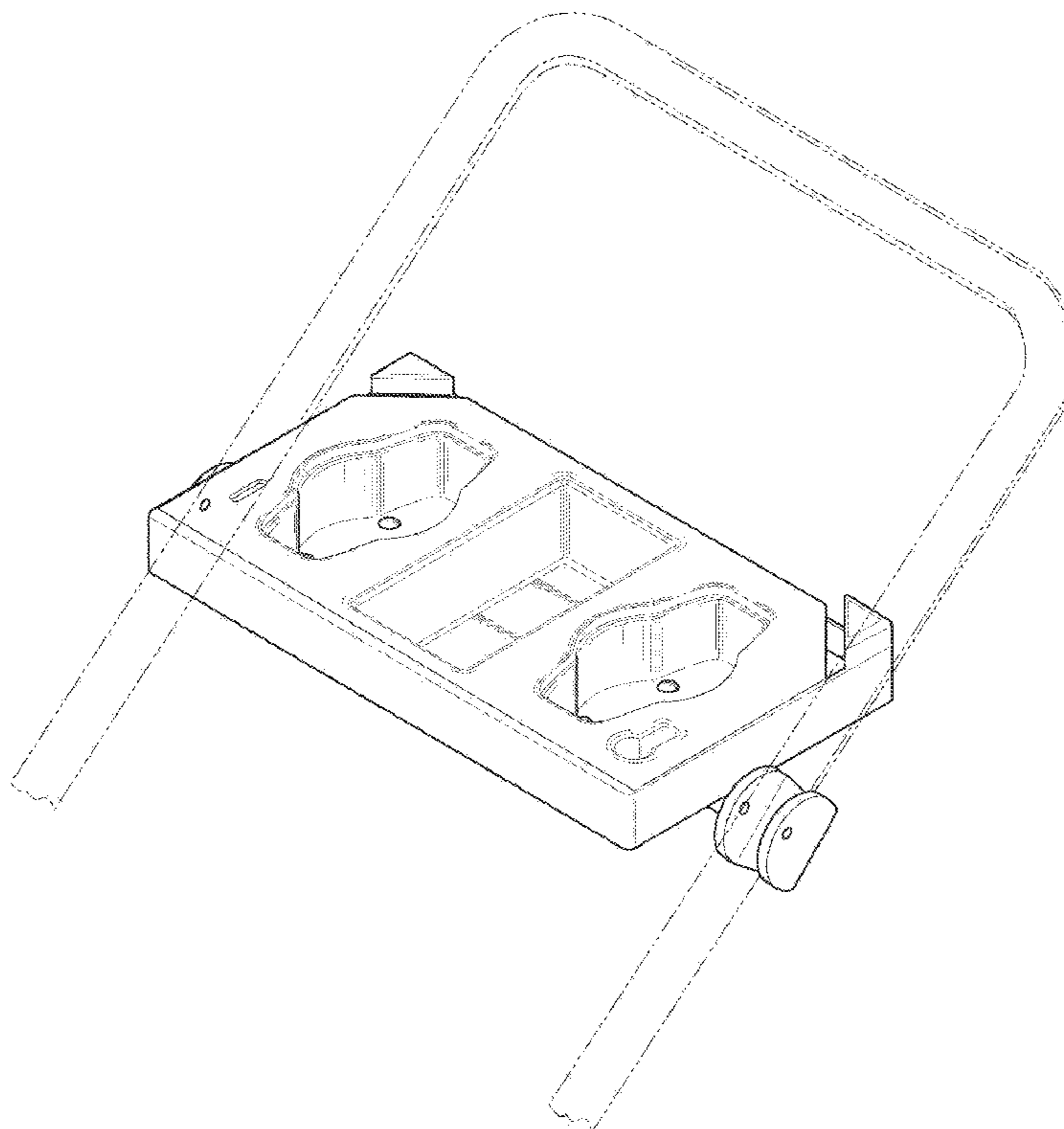


FIG. 1

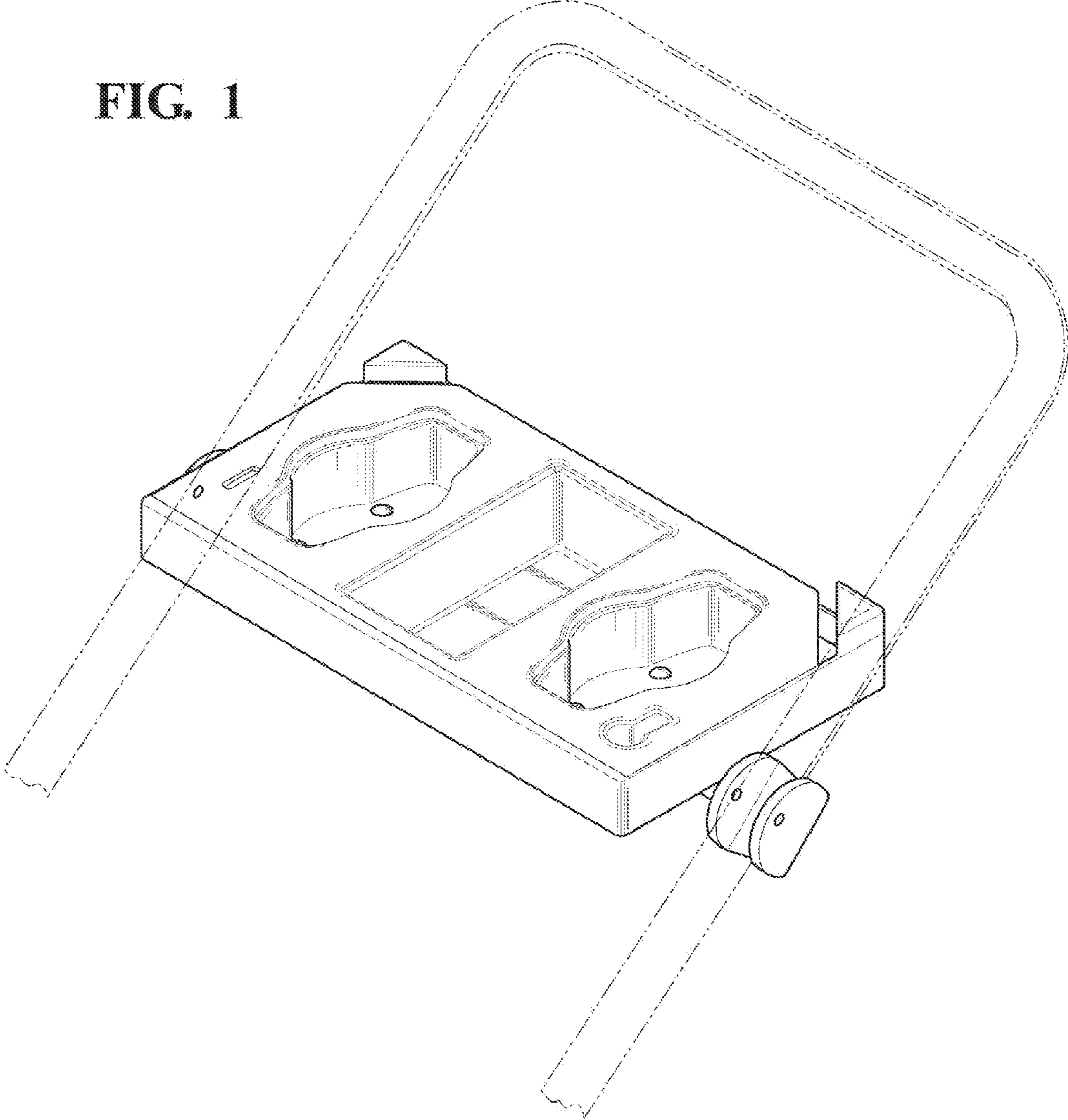


FIG. 2

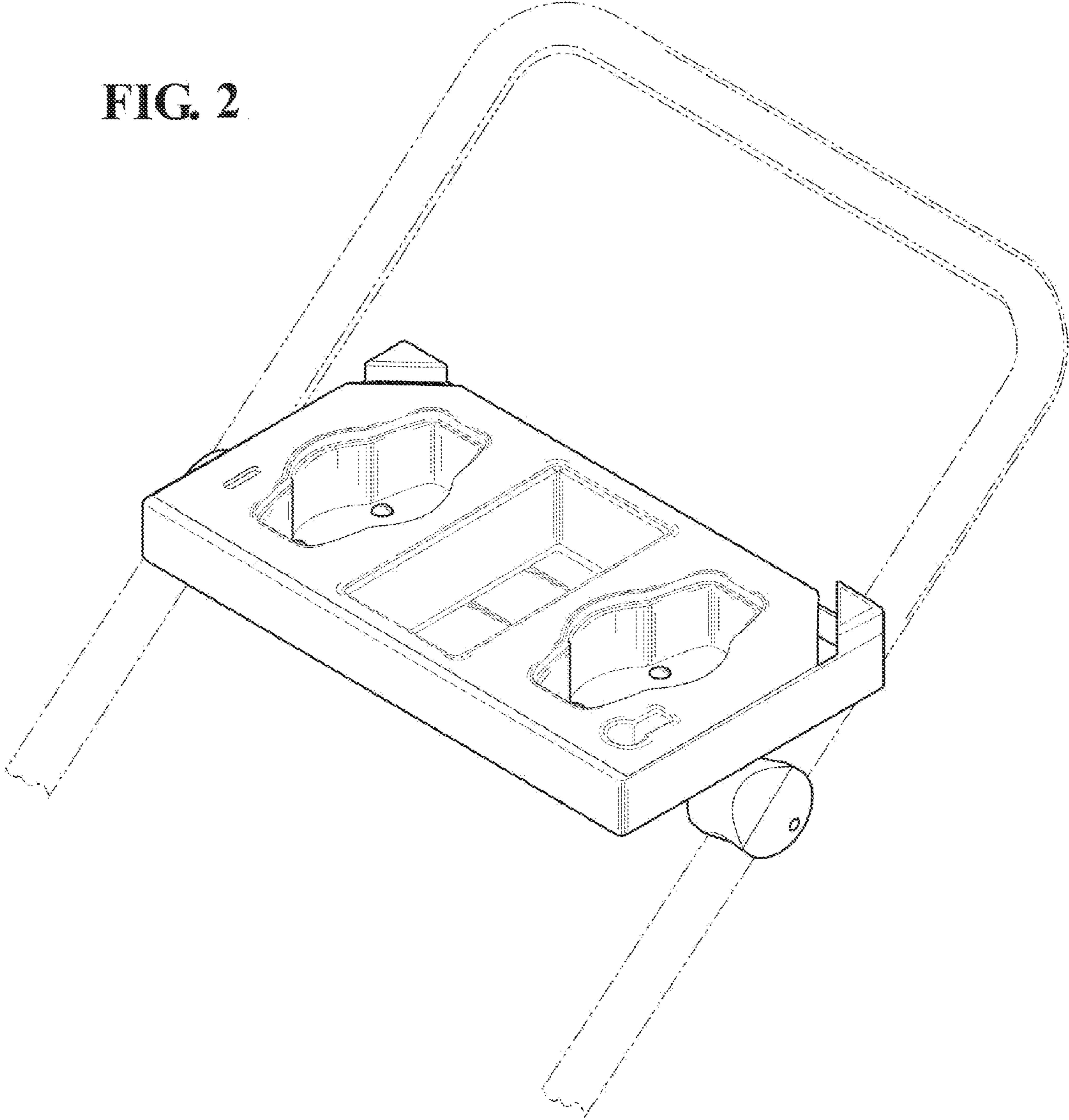
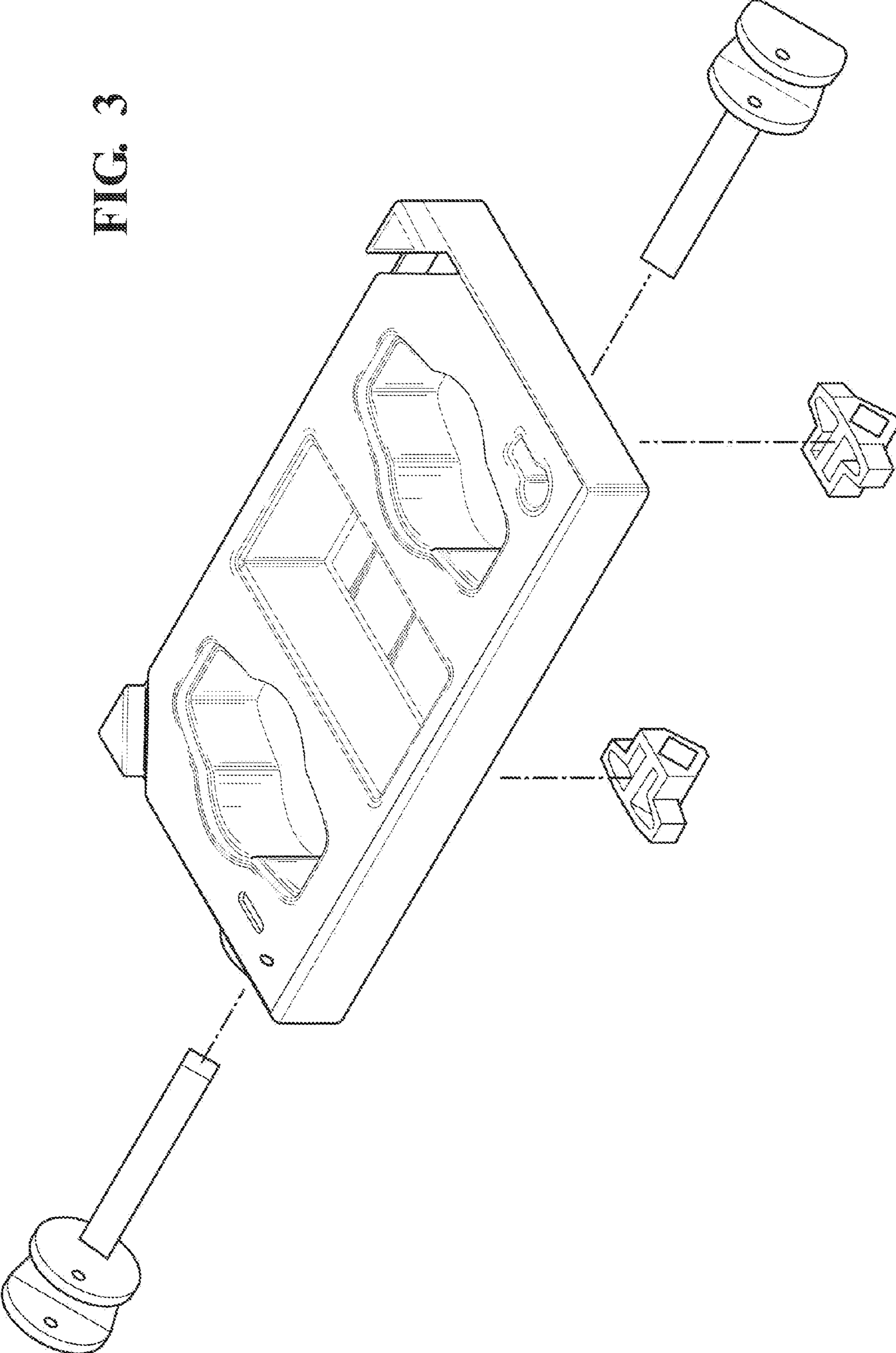
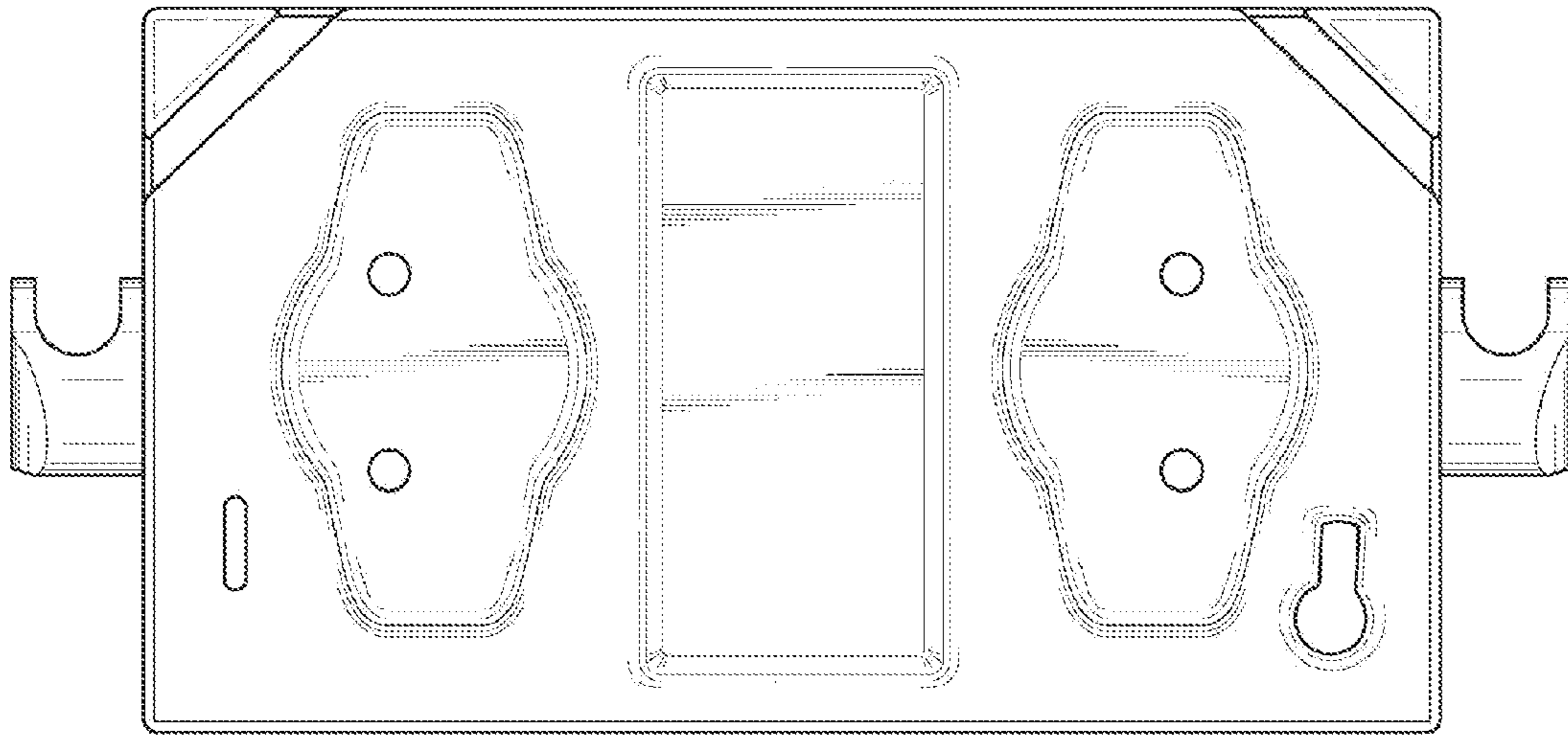


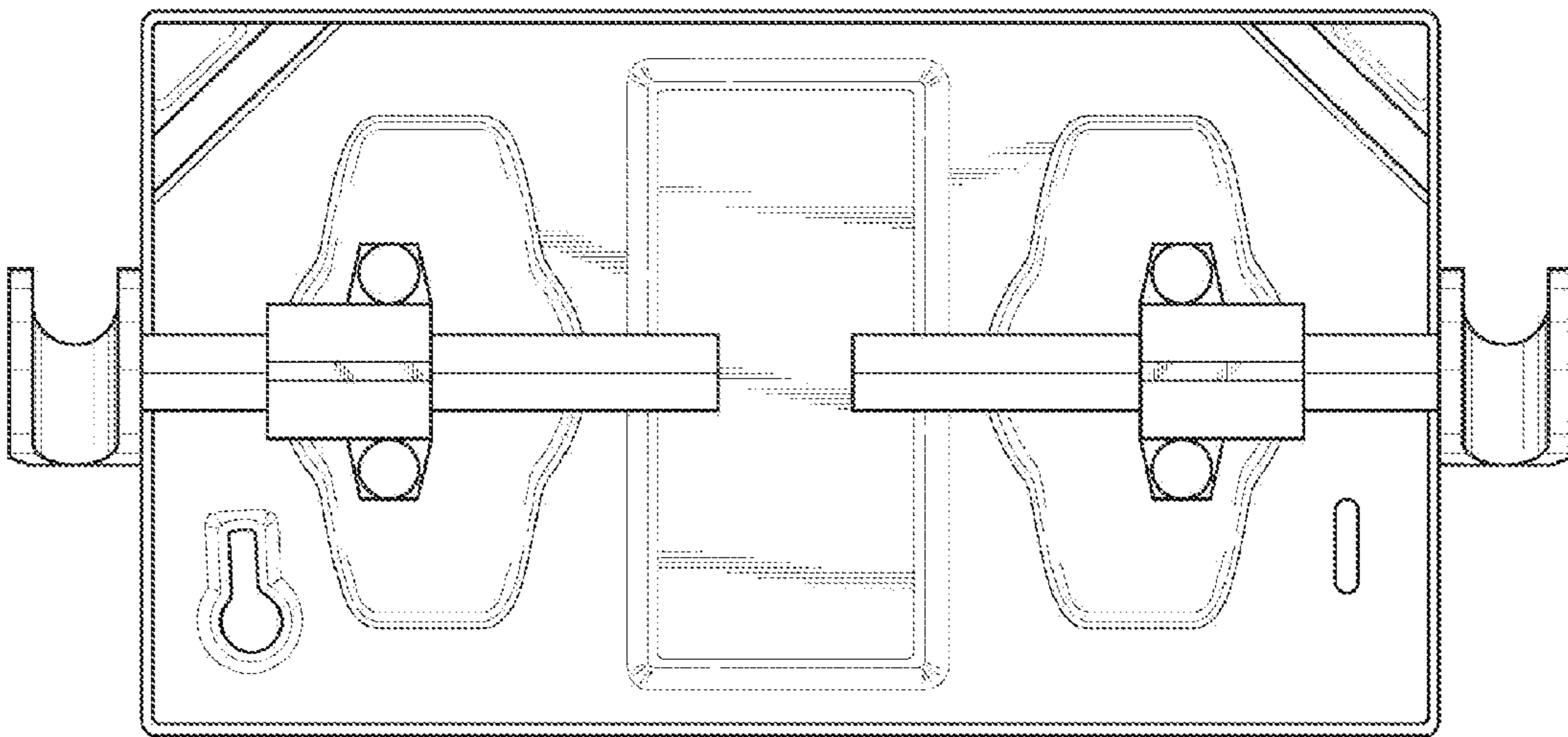
FIG. 3



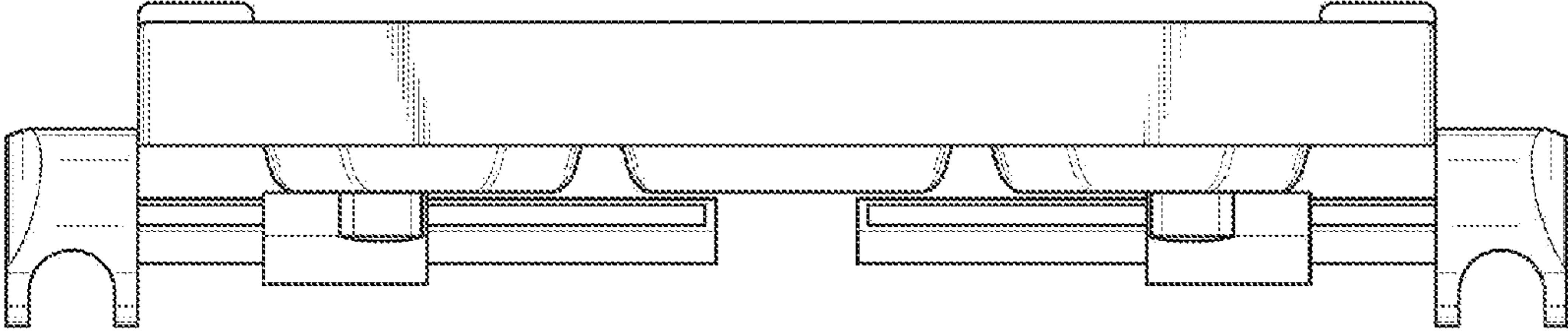
**FIG. 4**



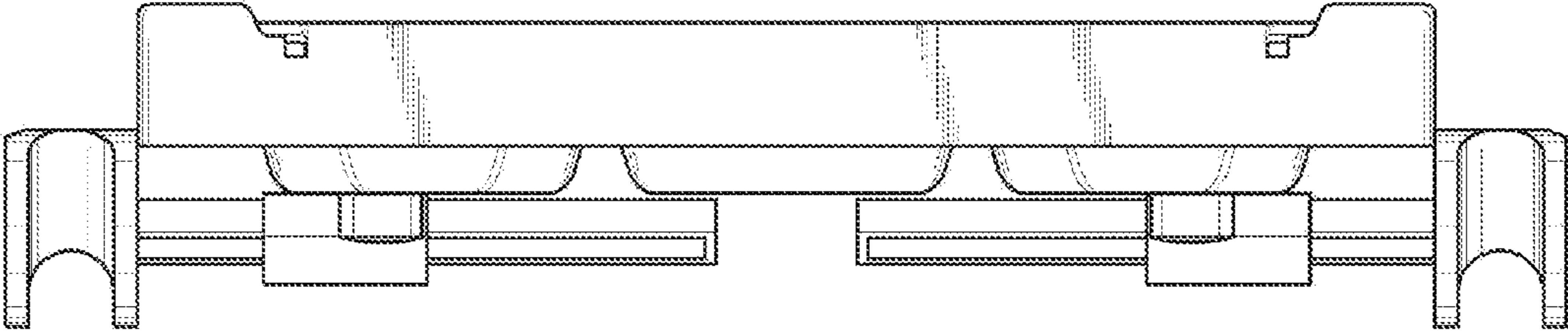
**FIG. 5**



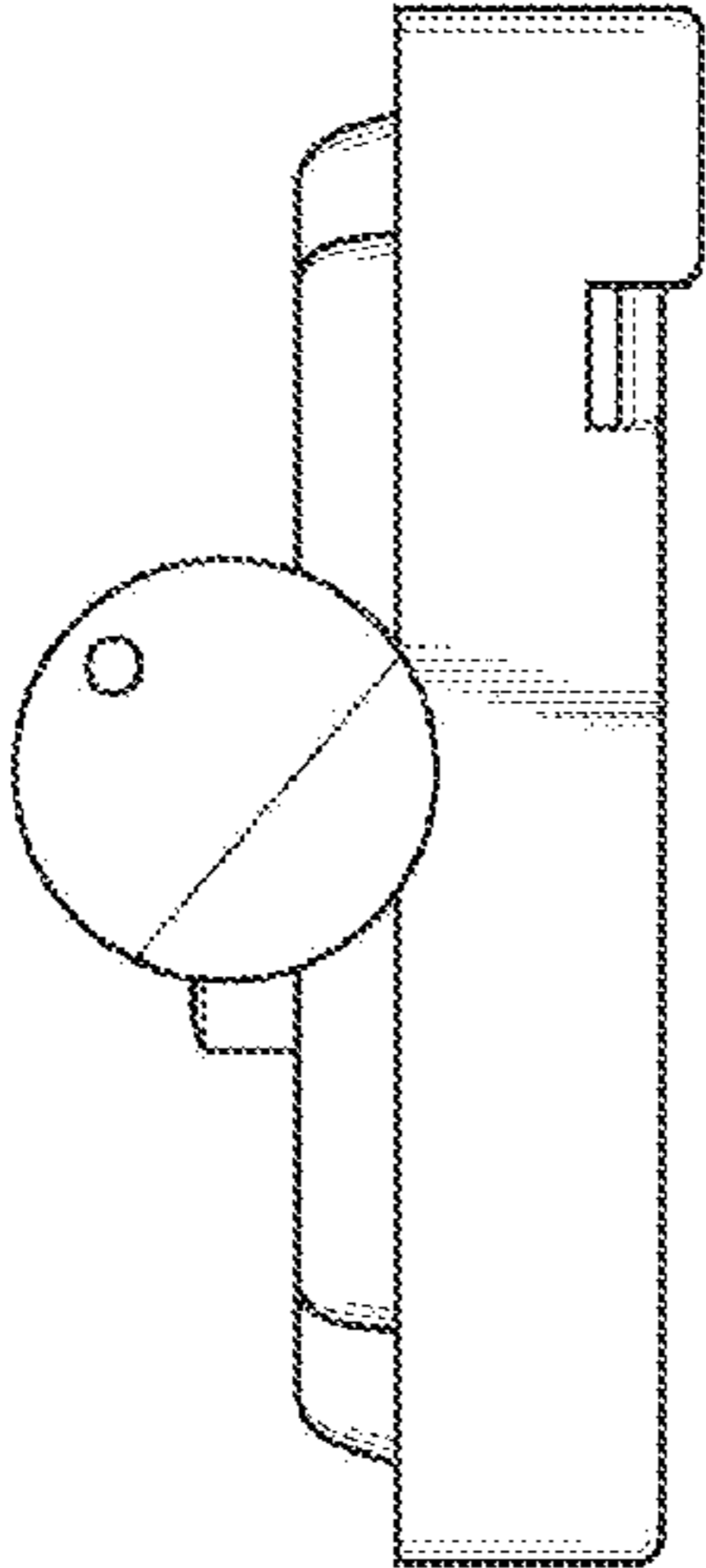
**FIG. 6**



**FIG. 7**



**FIG. 8**



**FIG. 9**

