



US00D710909S

(12) **United States Design Patent**
Kim et al.

(10) **Patent No.:** **US D710,909 S**
(45) **Date of Patent:** **** Aug. 12, 2014**

- (54) **COMPRESSOR FOR VEHICLES**
- (71) Applicant: **Halla Visteon Climate Control Corp.**,
Daejeon (KR)
- (72) Inventors: **Min Gyu Kim**, Daejeon (KR); **Duck Bin Yoon**, Daejeon (KR); **Jung Jae Lee**,
Daejeon (KR)
- (73) Assignee: **Halla Visteon Climate Control Corp.**,
Daejeon (KR)

D429,738	S	*	8/2000	Kayukawa et al.	D15/9
D432,139	S	*	10/2000	Chisenhall	D15/9
D440,232	S	*	4/2001	Kou	D15/9
D441,377	S	*	5/2001	Kawaguchi et al.	D15/9
D441,378	S	*	5/2001	Kou	D15/9
D456,029	S	*	4/2002	Kawaguchi et al.	D15/9
D456,423	S	*	4/2002	Kanou et al.	D15/9
D460,460	S	*	7/2002	Kayukawa et al.	D15/9
6,532,859	B1	*	3/2003	Kuhn et al.	92/71
D479,534	S	*	9/2003	Shiina	D15/9
D573,159	S	*	7/2008	Etter	D15/7
D695,789	S	*	12/2013	Nam	D15/9

* cited by examiner

(**) Term: **14 Years**

Primary Examiner — Ralf Seifert

(21) Appl. No.: **29/483,563**

(74) *Attorney, Agent, or Firm* — Dickinson Wright PLLC

(22) Filed: **Feb. 28, 2014**

(51) **LOC (10) Cl.** **15-02**

(52) **U.S. Cl.**
USPC **D15/9**

(58) **Field of Classification Search**
CPC F01D 5/14; F01D 5/12; F01D 5/04;
F01D 29/42; F02B 33/40
USPC D15/7-9; D23/231, 232, 225; 417/60,
417/235, 265, 321, 355, 358, 363, 359,
417/410.1, 415-416, 405, 900, 231, 313,
417/273, 539; 60/408, 412; 184/26-37;
415/140-147; 123/495, 509; 418/259
See application file for complete search history.

(56) **References Cited**

U.S. PATENT DOCUMENTS

D351,603	S	*	10/1994	Ikeda et al.	D15/9
5,470,207	A	*	11/1995	Shockey et al.	417/313
D381,340	S	*	7/1997	Takenaka et al.	D15/9
D381,993	S	*	8/1997	Takenaka et al.	D15/9
5,674,054	A	*	10/1997	Ota et al.	417/269

(57) **CLAIM**

We claim the ornamental design for a compressor for vehicles, as shown herein.

DESCRIPTION

FIG. 1 is a perspective view of a compressor according to the present design;
 FIG. 2 is a front view of the compressor according to the present design;
 FIG. 3 is a rear view of the compressor according to the present design;
 FIG. 4 is a left side view of the compressor according to the present design;
 FIG. 5 is a right side view of the compressor according to the present design;
 FIG. 6 is a plan view of the compressor according to the present design; and,
 FIG. 7 is a bottom view of the compressor according to the present design.

1 Claim, 7 Drawing Sheets

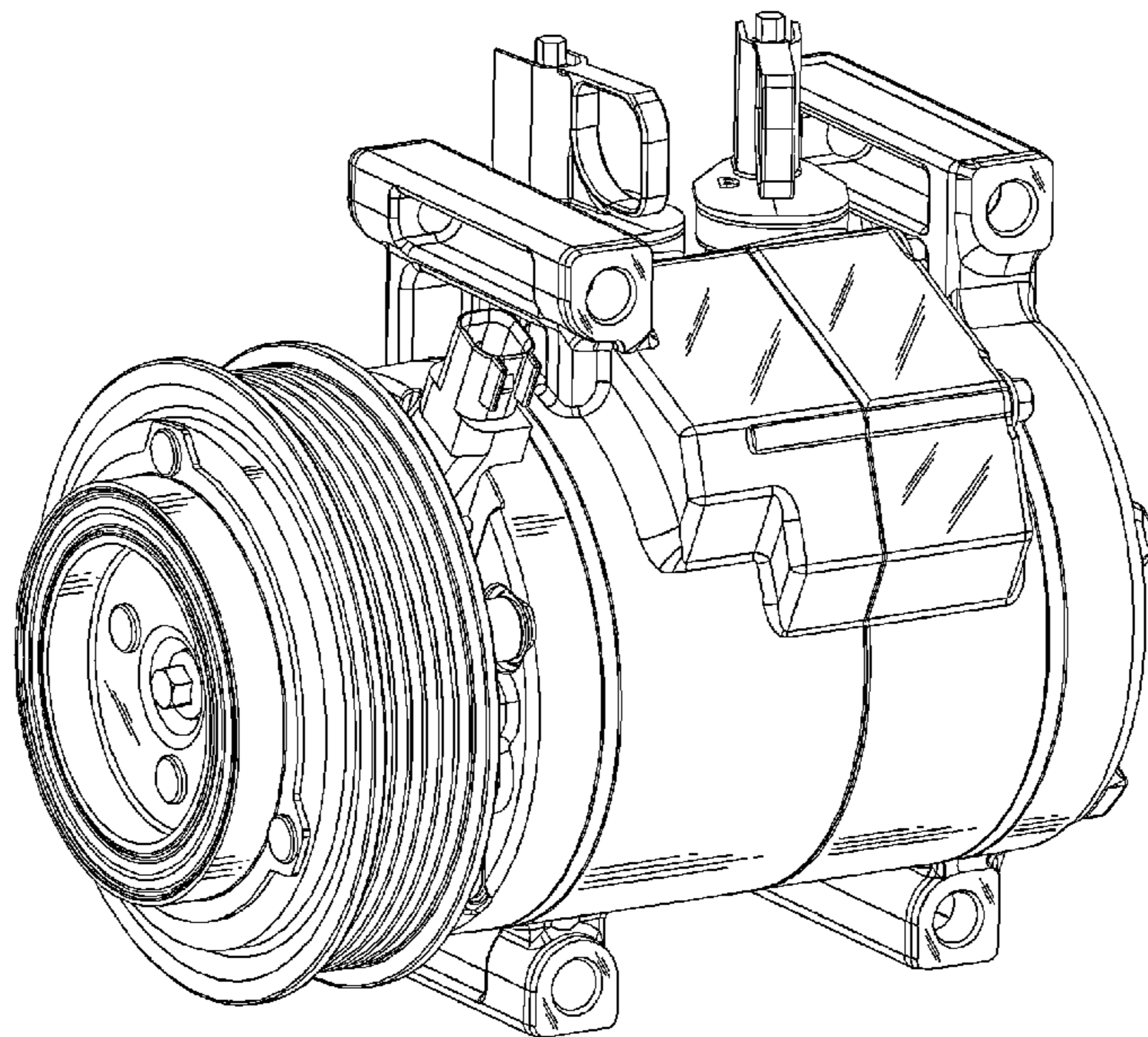


Fig. 1

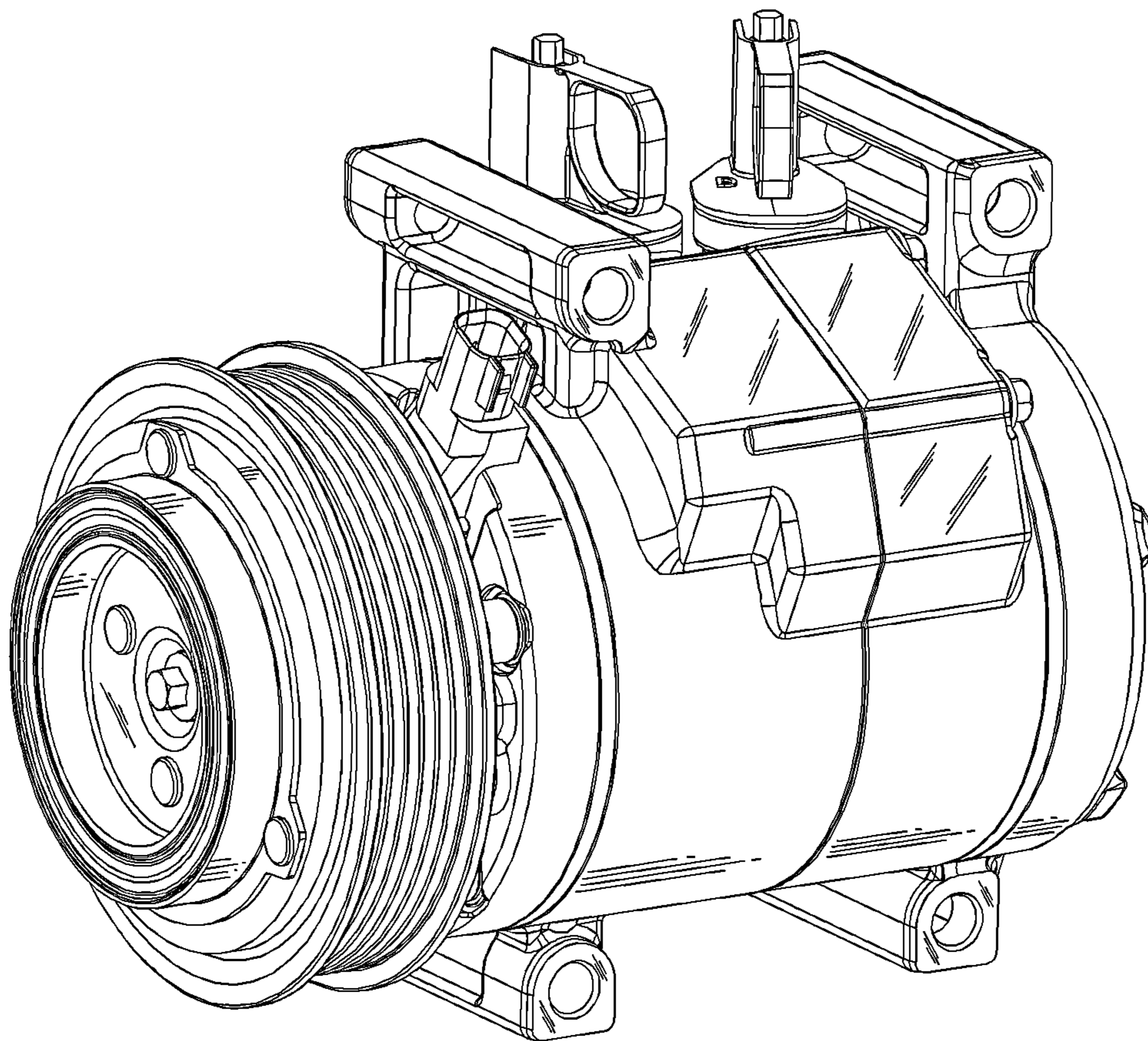


Fig. 2

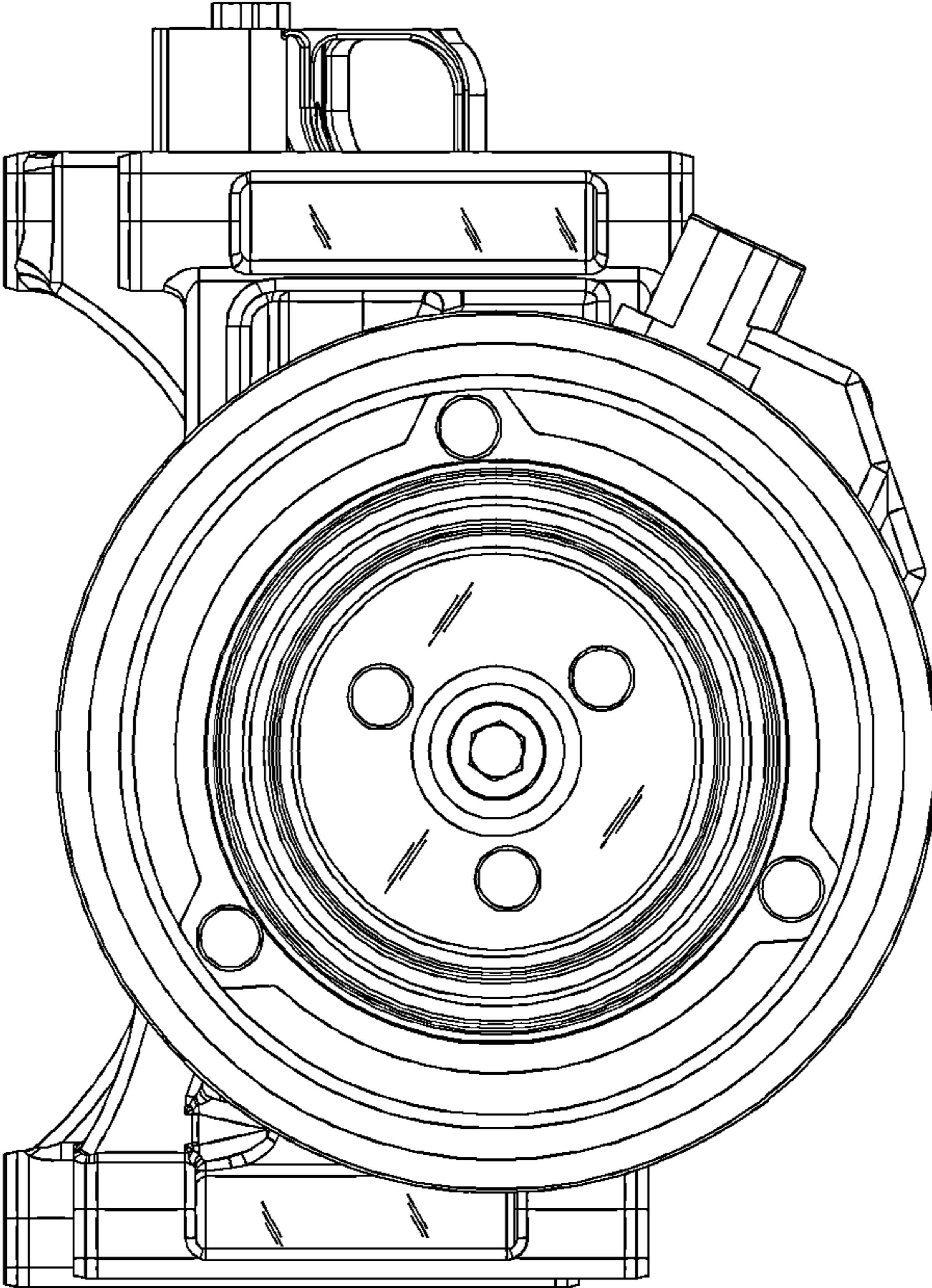


Fig. 3

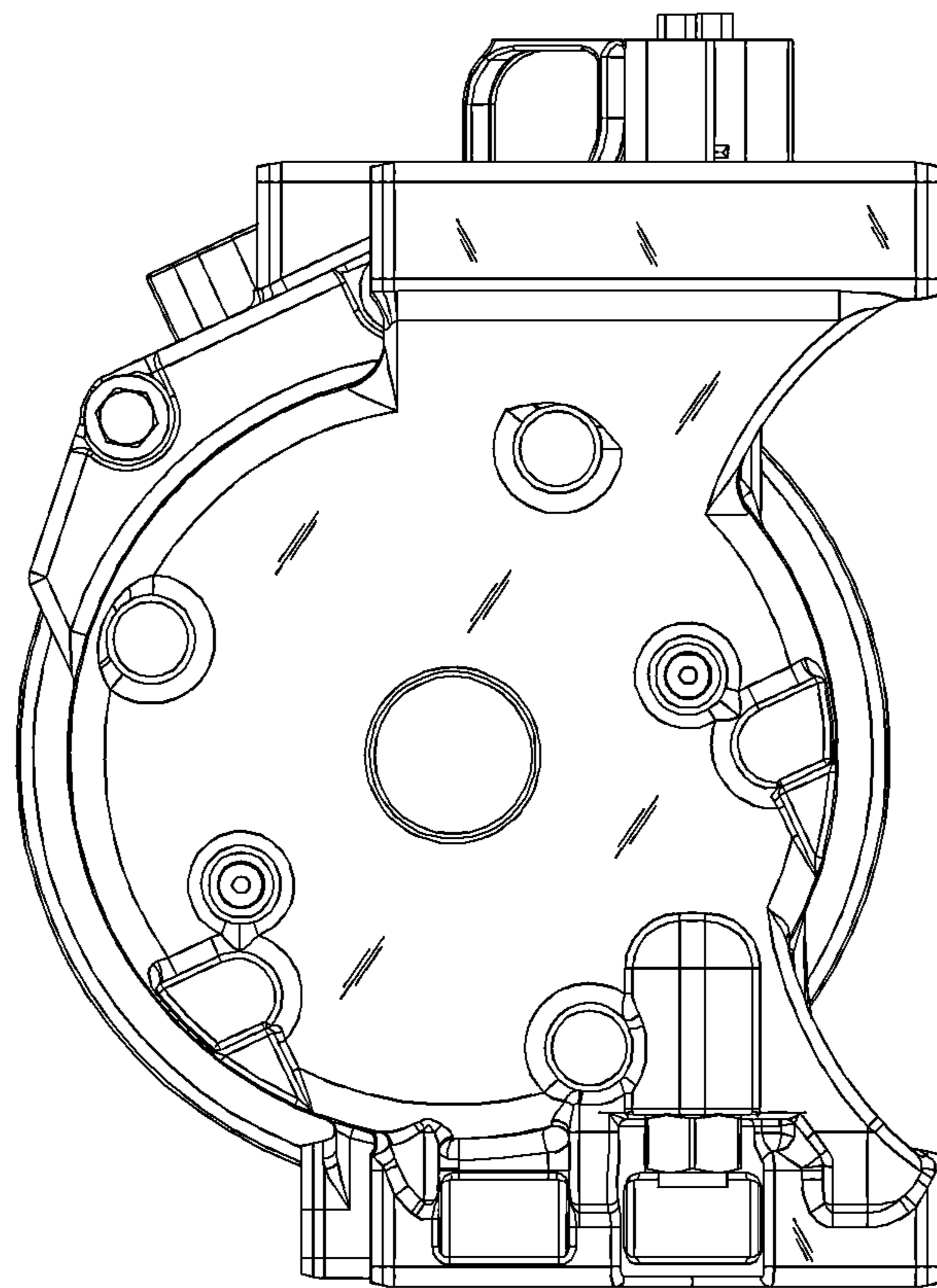


Fig. 4

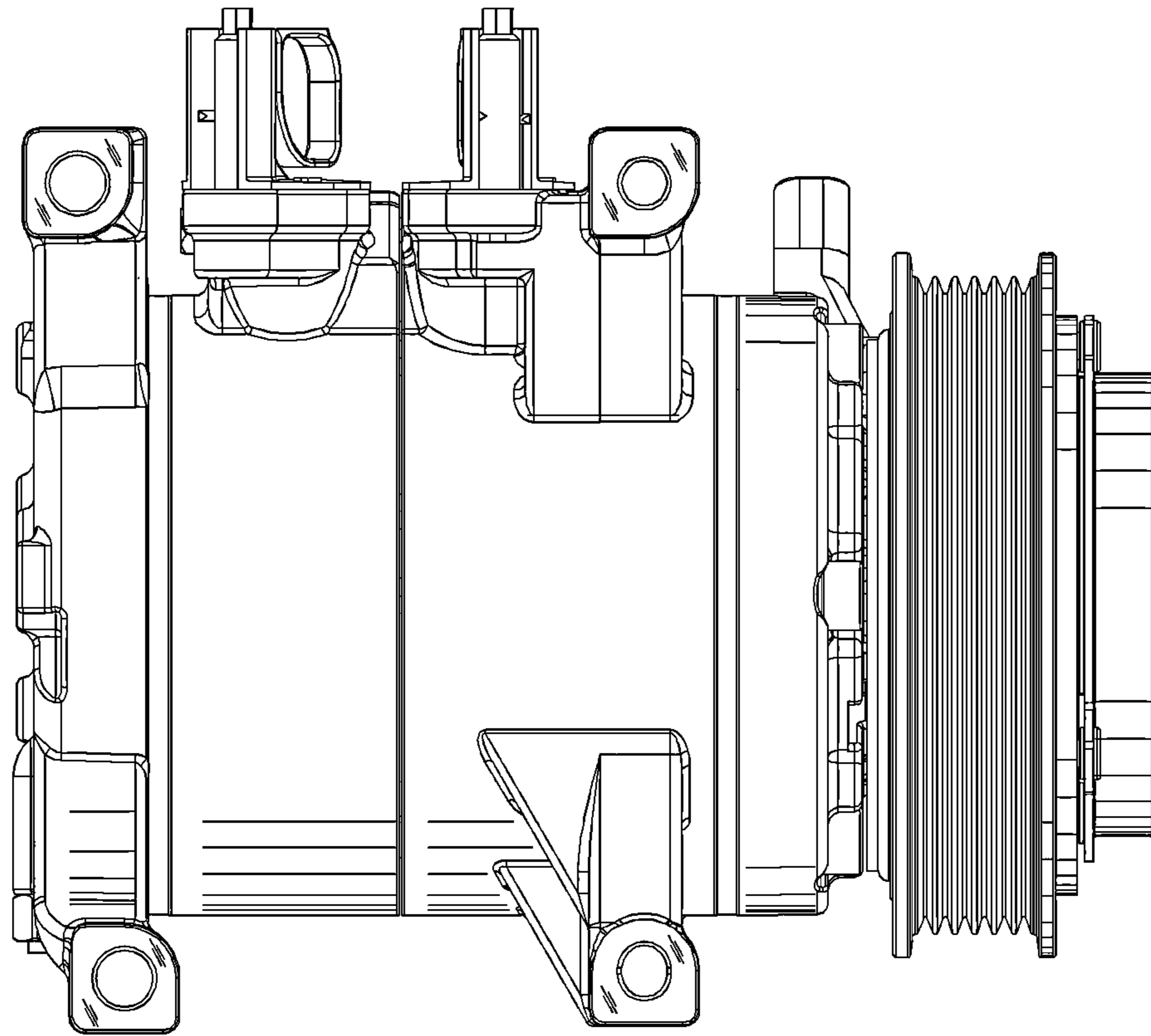


Fig. 5

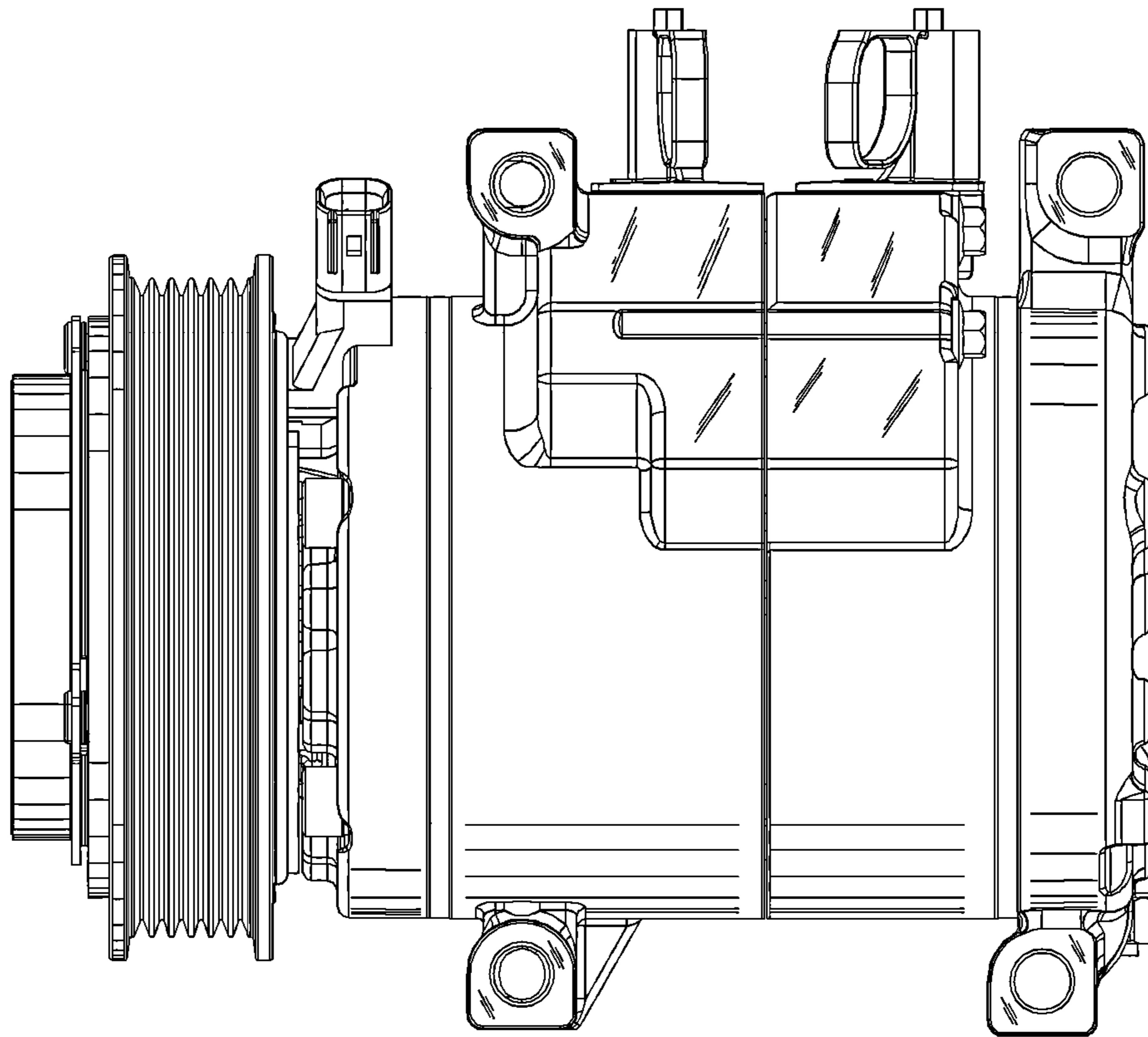


Fig. 6

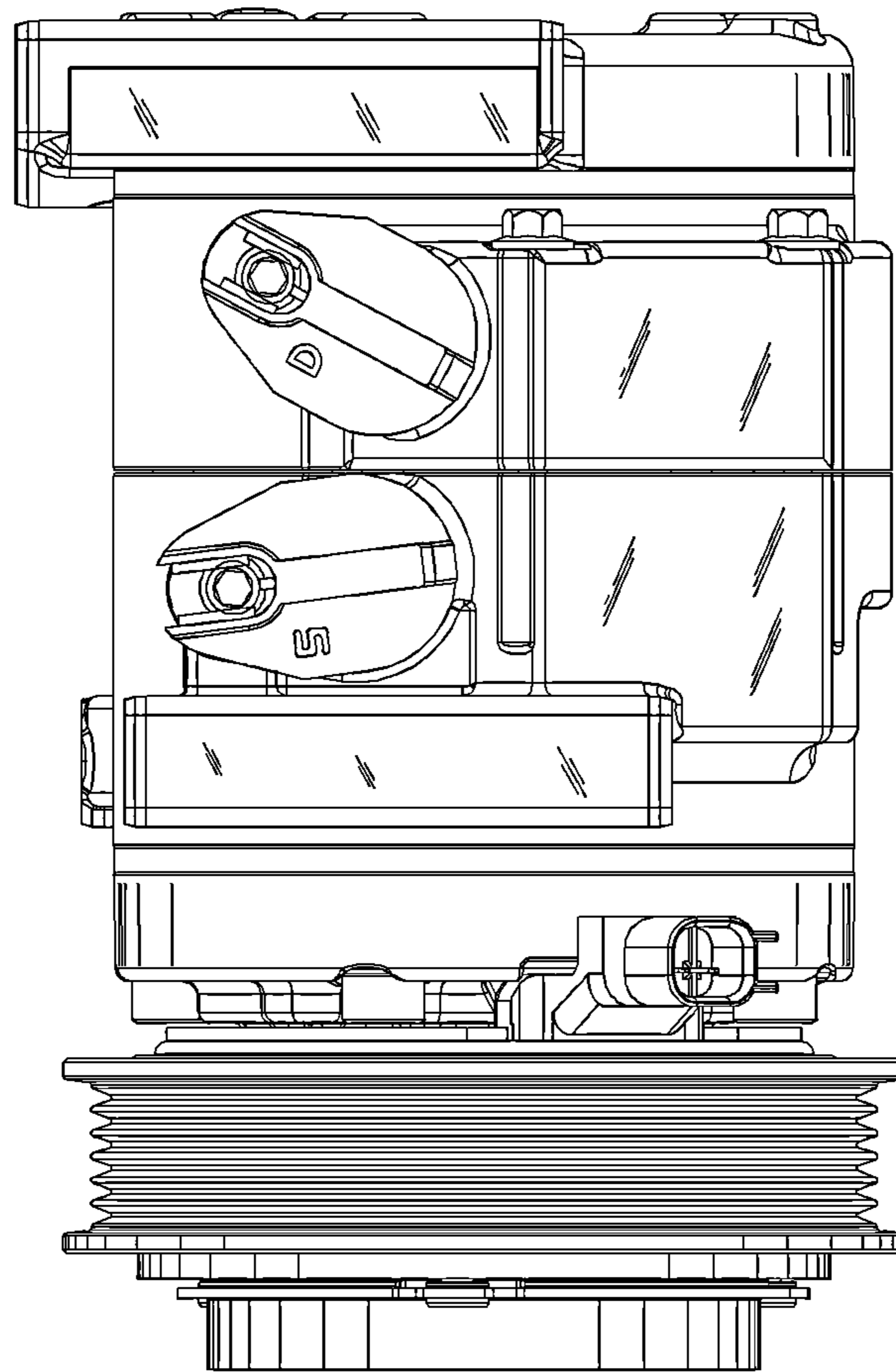


Fig. 7

