



US00D710907S

(12) **United States Design Patent**  
**Lim et al.**

(10) **Patent No.:** **US D710,907 S**  
(45) **Date of Patent:** **\*\* Aug. 12, 2014**

- (54) **COMPRESSOR FOR VEHICLES**
- (71) Applicant: **Halla Visteon Climate Control Corp., Daejeon (KR)**
- (72) Inventors: **Kweon Soo Lim, Daejeon (KR); Seon Ju Hong, Daejeon (KR)**
- (73) Assignee: **Halla Visteon Climate Control Corp., Daejeon (KR)**
- (\*\*) Term: **14 Years**

|                |         |                       |         |
|----------------|---------|-----------------------|---------|
| D381,993 S *   | 8/1997  | Takenaka et al. ....  | D15/9   |
| 5,674,054 A *  | 10/1997 | Ota et al. ....       | 417/269 |
| D429,738 S *   | 8/2000  | Kayukawa et al. ....  | D15/9   |
| D432,139 S *   | 10/2000 | Chisenhall .....      | D15/9   |
| D440,232 S *   | 4/2001  | Kou .....             | D15/9   |
| D441,377 S *   | 5/2001  | Kawaguchi et al. .... | D15/9   |
| D441,378 S *   | 5/2001  | Kou .....             | D15/9   |
| D456,029 S *   | 4/2002  | Kawaguchi et al. .... | D15/9   |
| D456,423 S *   | 4/2002  | Kanou et al. ....     | D15/9   |
| D460,460 S *   | 7/2002  | Kayukawa et al. ....  | D15/9   |
| 6,532,859 B1 * | 3/2003  | Kuhn et al. ....      | 92/71   |
| D479,534 S *   | 9/2003  | Shiina .....          | D15/9   |
| D573,159 S *   | 7/2008  | Etter .....           | D15/7   |
| D695,789 S *   | 12/2013 | Nam .....             | D15/9   |

- (21) Appl. No.: **29/483,391**
- (22) Filed: **Feb. 27, 2014**
- (30) **Foreign Application Priority Data**  
Jan. 28, 2014 (KR) ..... 30-2014-0004703
- (51) **LOC (10) Cl.** ..... **15-02**
- (52) **U.S. Cl.**  
USPC ..... **D15/9**
- (58) **Field of Classification Search**  
CPC ..... F01D 5/14; F01D 5/12; F01D 5/04;  
F02B 33/40; F04D 29/42  
USPC ..... D15/7-9; D23/231, 232, 225; 417/60,  
417/235, 265, 321, 355, 358, 363, 359,  
417/410.1, 415-416, 405, 900, 231, 313,  
417/273, 539; 60/408, 412; 184/26-37;  
415/140-147; 123/495, 509; 418/259  
See application file for complete search history.

\* cited by examiner

*Primary Examiner* — Ralf Seifert  
(74) *Attorney, Agent, or Firm* — Dickinson Wright PLLC

(57) **CLAIM**  
We claim the ornamental design for a compressor for vehicles, as shown herein.

**DESCRIPTION**

FIG. 1 is a perspective view of a compressor for vehicles according to the present design;  
FIG. 2 is a front view of the compressor for vehicles according to the present design;  
FIG. 3 is a rear view of the compressor for vehicles according to the present design;  
FIG. 4 is a left side view of the compressor for vehicles according to the present design;  
FIG. 5 is a right side view of the compressor for vehicles according to the present design;  
FIG. 6 is a plan view of the compressor for vehicles according to the present design; and,  
FIG. 7 is a bottom view of the compressor for vehicles according to the present design.

- (56) **References Cited**  
U.S. PATENT DOCUMENTS  
D351,603 S \* 10/1994 Ikeda et al. .... D15/9  
5,470,207 A \* 11/1995 Shockey et al. .... 417/313  
D381,340 S \* 7/1997 Takenaka et al. .... D15/9

**1 Claim, 7 Drawing Sheets**

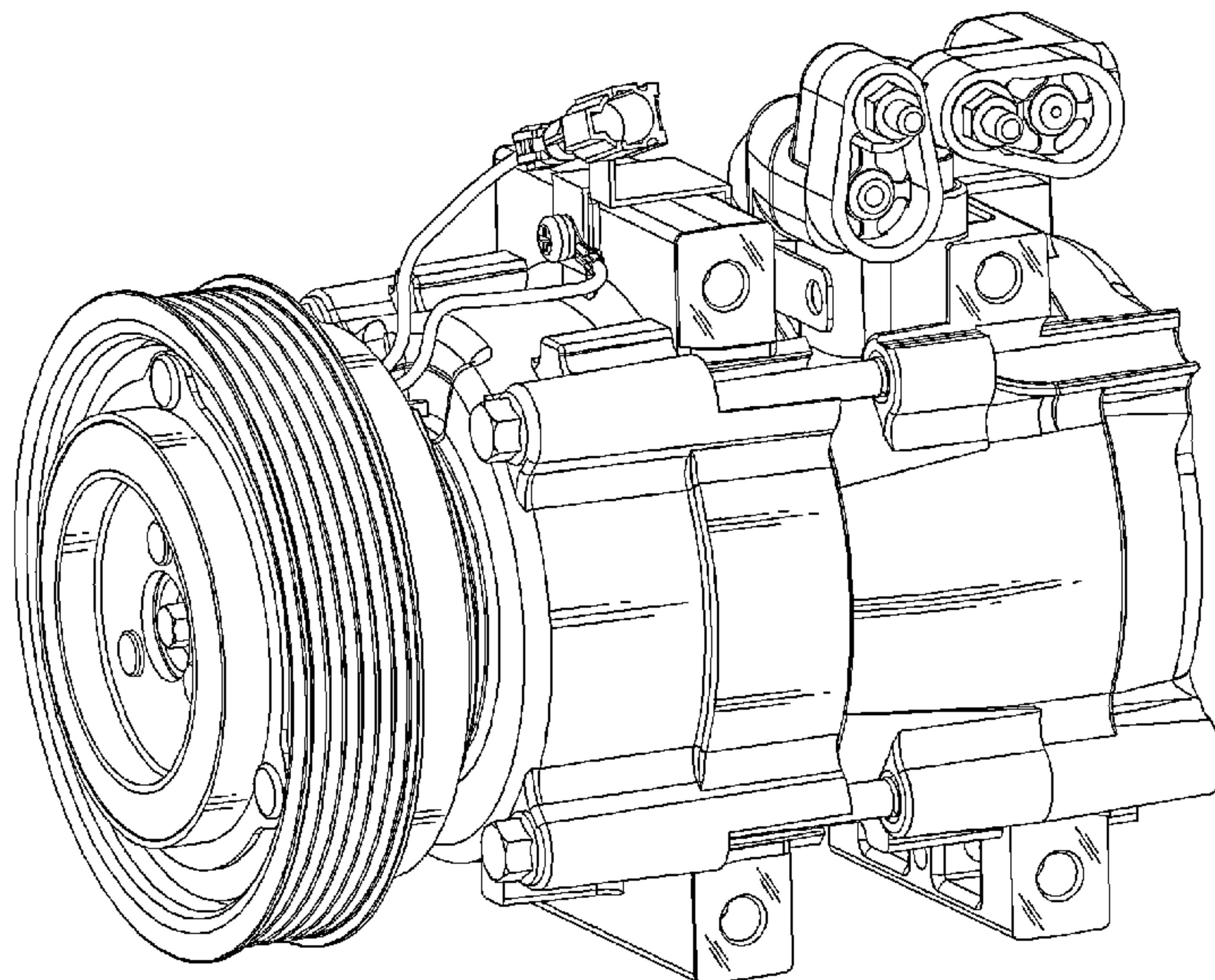


Fig. 1

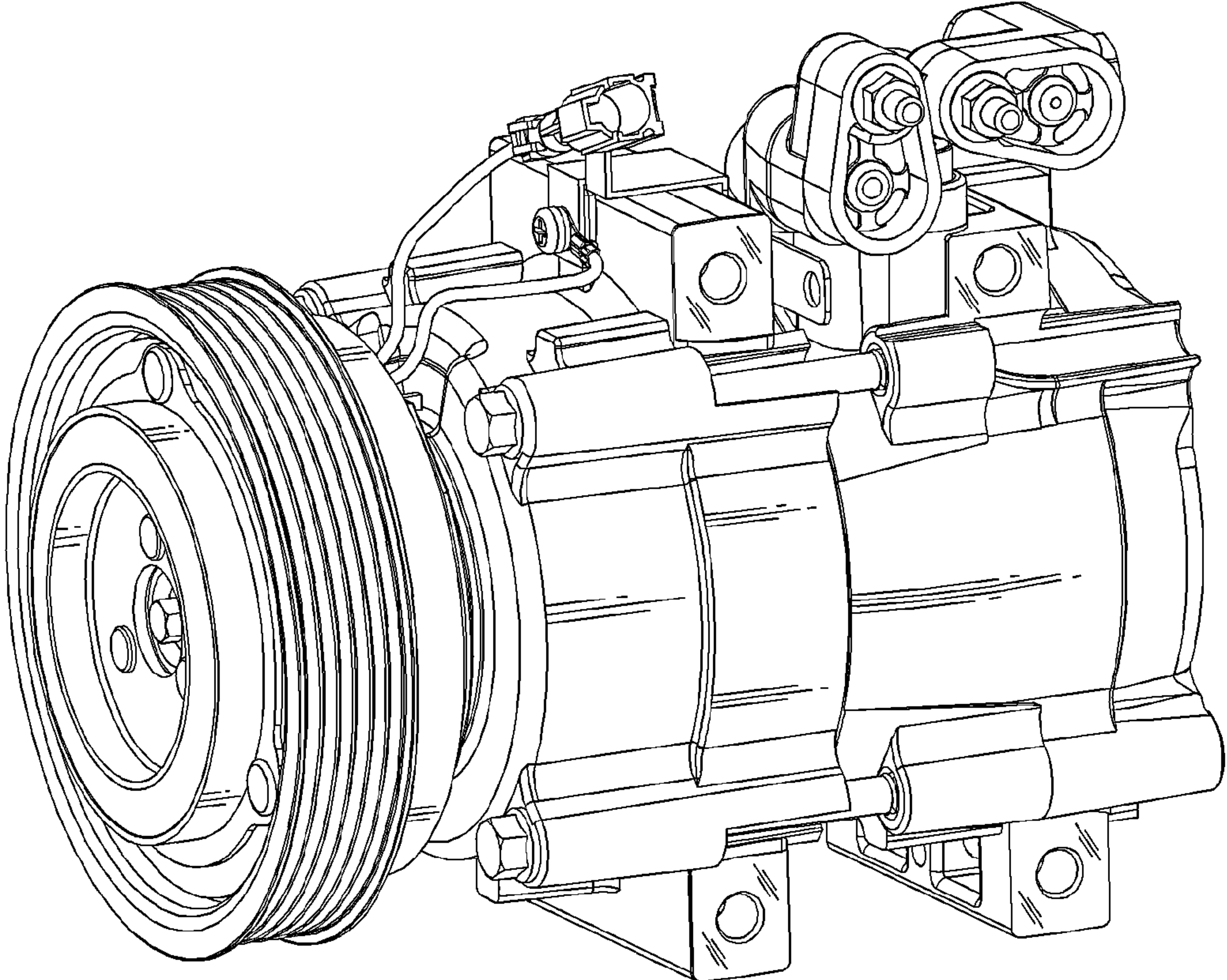


Fig. 2

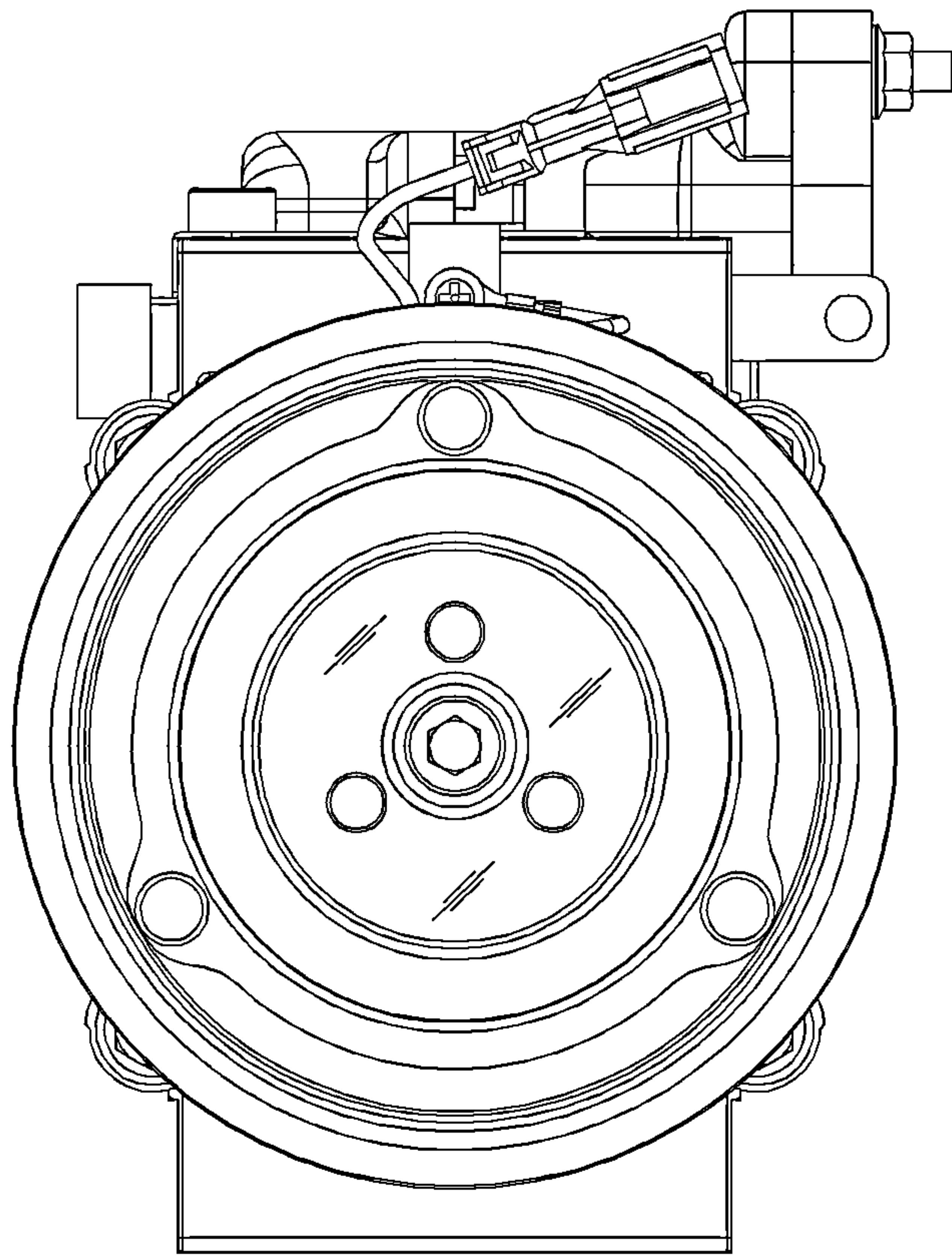




Fig. 3

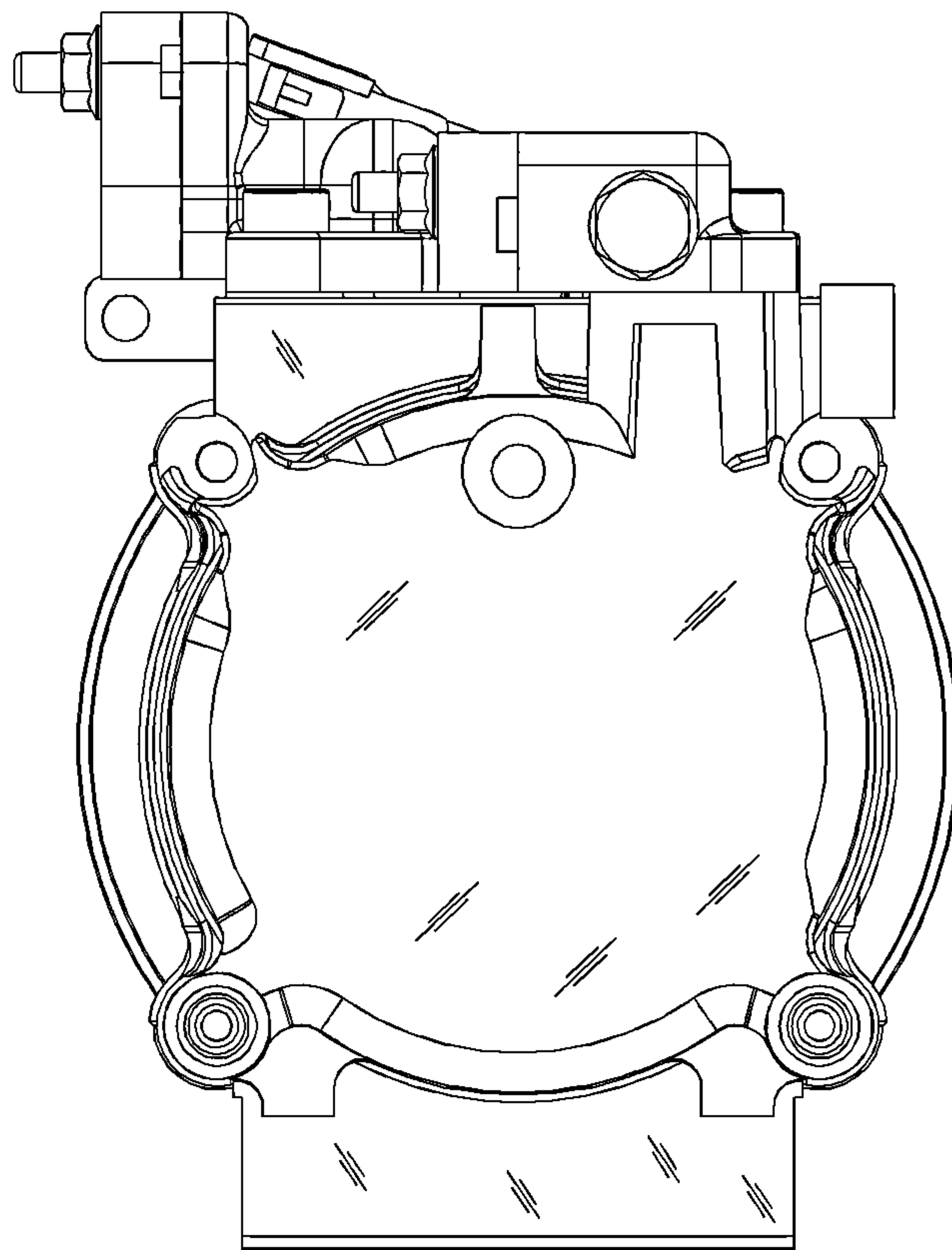


Fig. 4

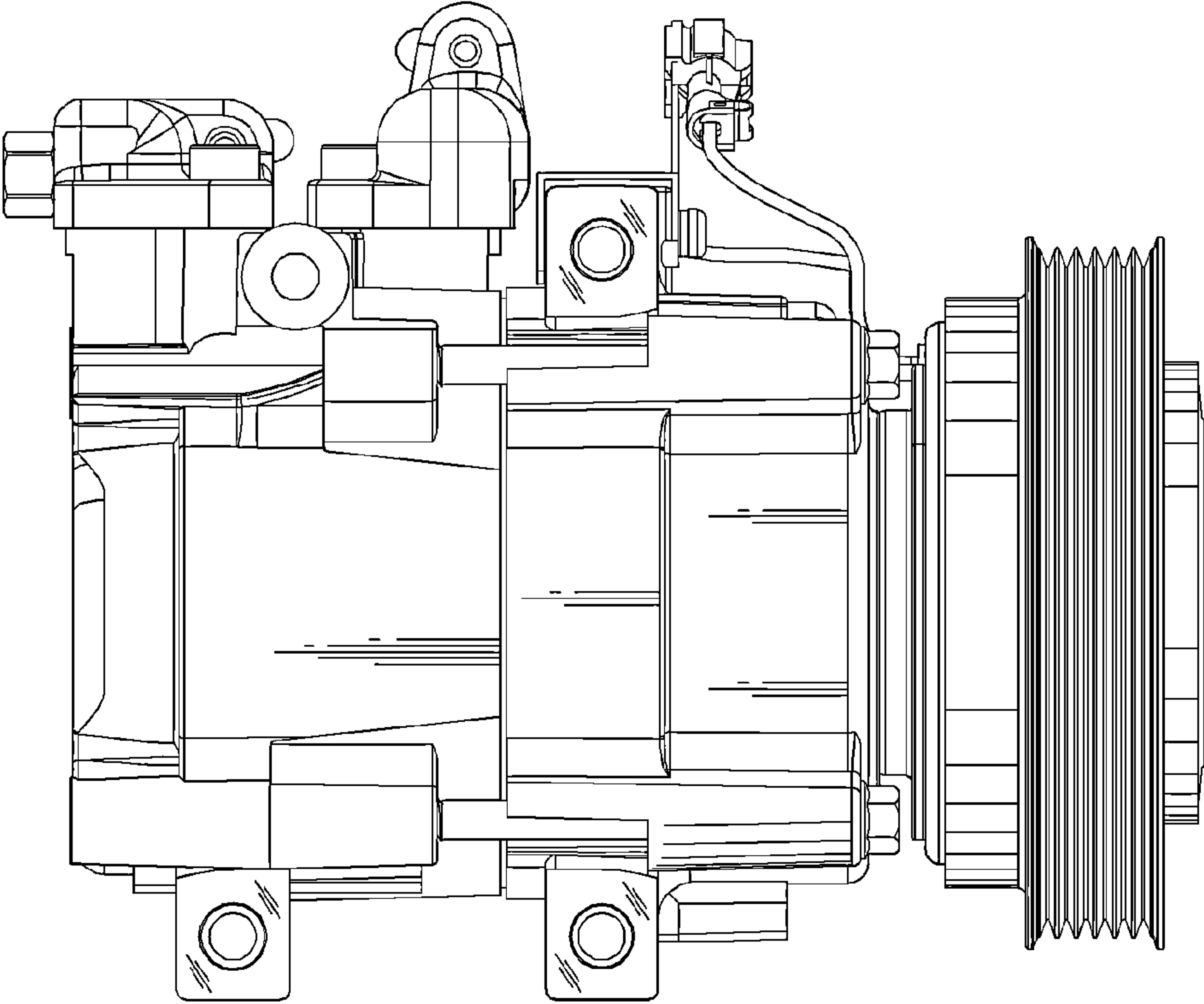


Fig. 5

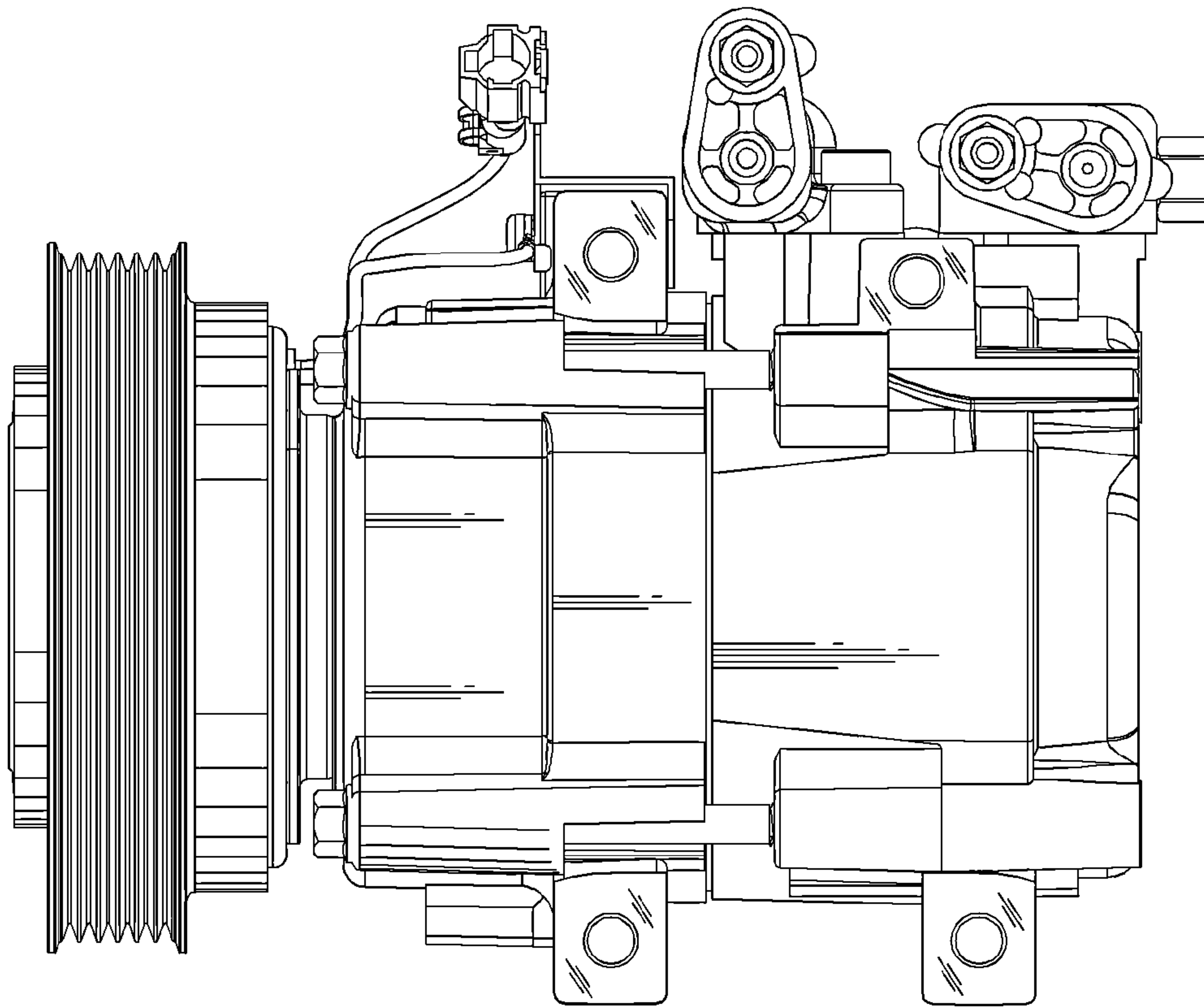


Fig. 6

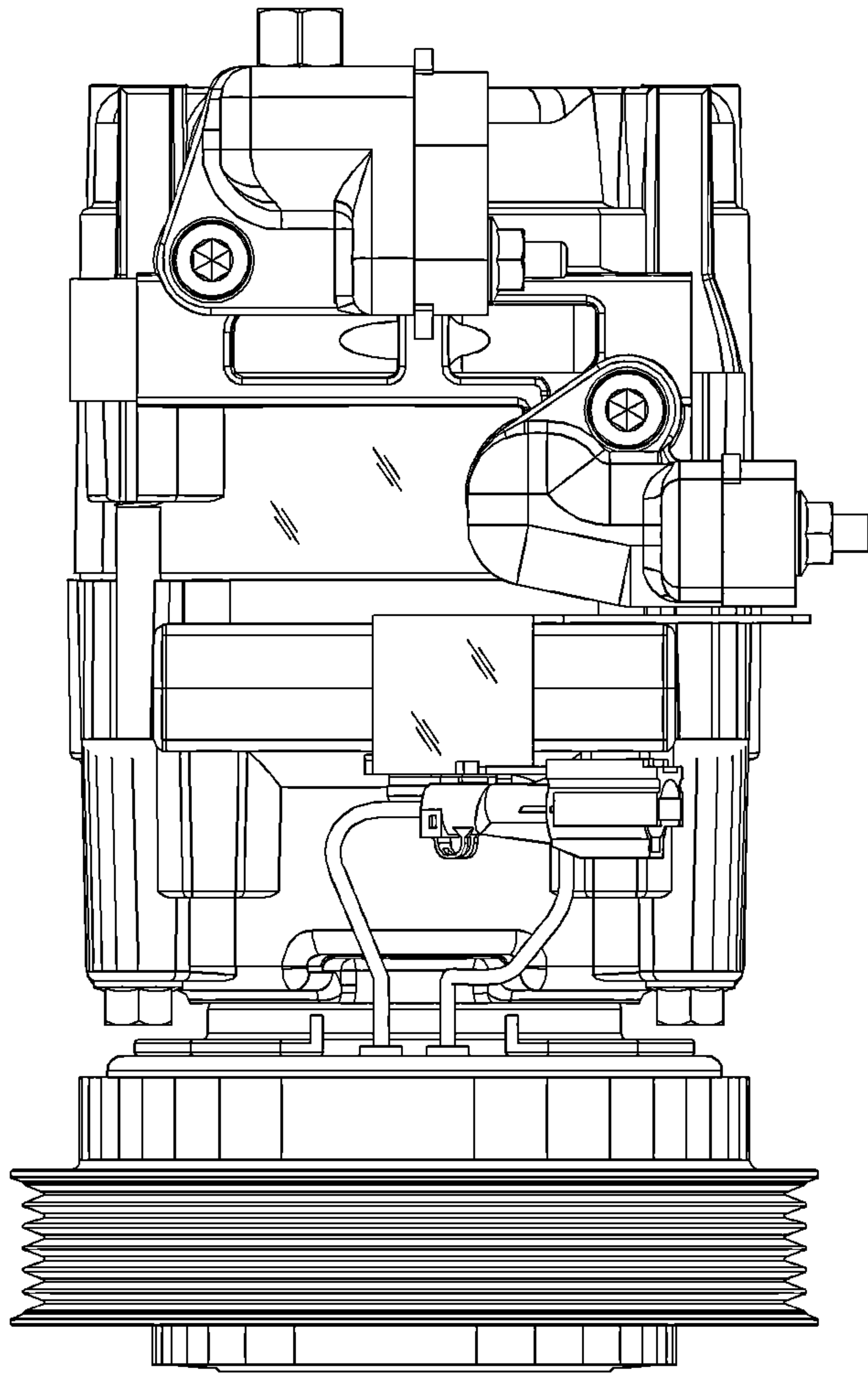


Fig. 7

