



US00D710904S

(12) **United States Design Patent**
Allnutt

(10) **Patent No.:** **US D710,904 S**

(45) **Date of Patent:** **** Aug. 12, 2014**

(54) **COMPRESSOR**

(71) Applicant: **INQUA GmbH**, Seefeld-Oberalting
(DE)

(72) Inventor: **Tom McPherson Allnutt**, Munich (DE)

(73) Assignee: **INQUA GmbH**, Seefeld-Oberalting
(DE)

(**) Term: **14 Years**

(21) Appl. No.: **29/469,574**

(22) Filed: **Oct. 11, 2013**

(30) **Foreign Application Priority Data**

May 21, 2013 (EM) 002240846-0002

(51) **LOC (10) Cl.** **15-02**

(52) **U.S. Cl.**
USPC **D15/9**

(58) **Field of Classification Search**
USPC D15/7-9; D23/231, 232, 225; 417/60,
417/235, 265, 321, 355, 358, 363, 359,
417/410.1, 415-416, 405, 900; 60/408,
60/412; 184/26-37; 415/140-147;
123/495, 509; D24/111

See application file for complete search history.

(56) **References Cited**

U.S. PATENT DOCUMENTS

D490,821 S *	6/2004	Leventhal et al.	D15/9
D520,024 S *	5/2006	Chen	D15/7
D638,858 S *	5/2011	Johnson et al.	D15/7
D655,313 S *	3/2012	Taylor	D15/7

* cited by examiner

Primary Examiner — Ralf Seifert

(74) *Attorney, Agent, or Firm* — McGuireWoods LLP

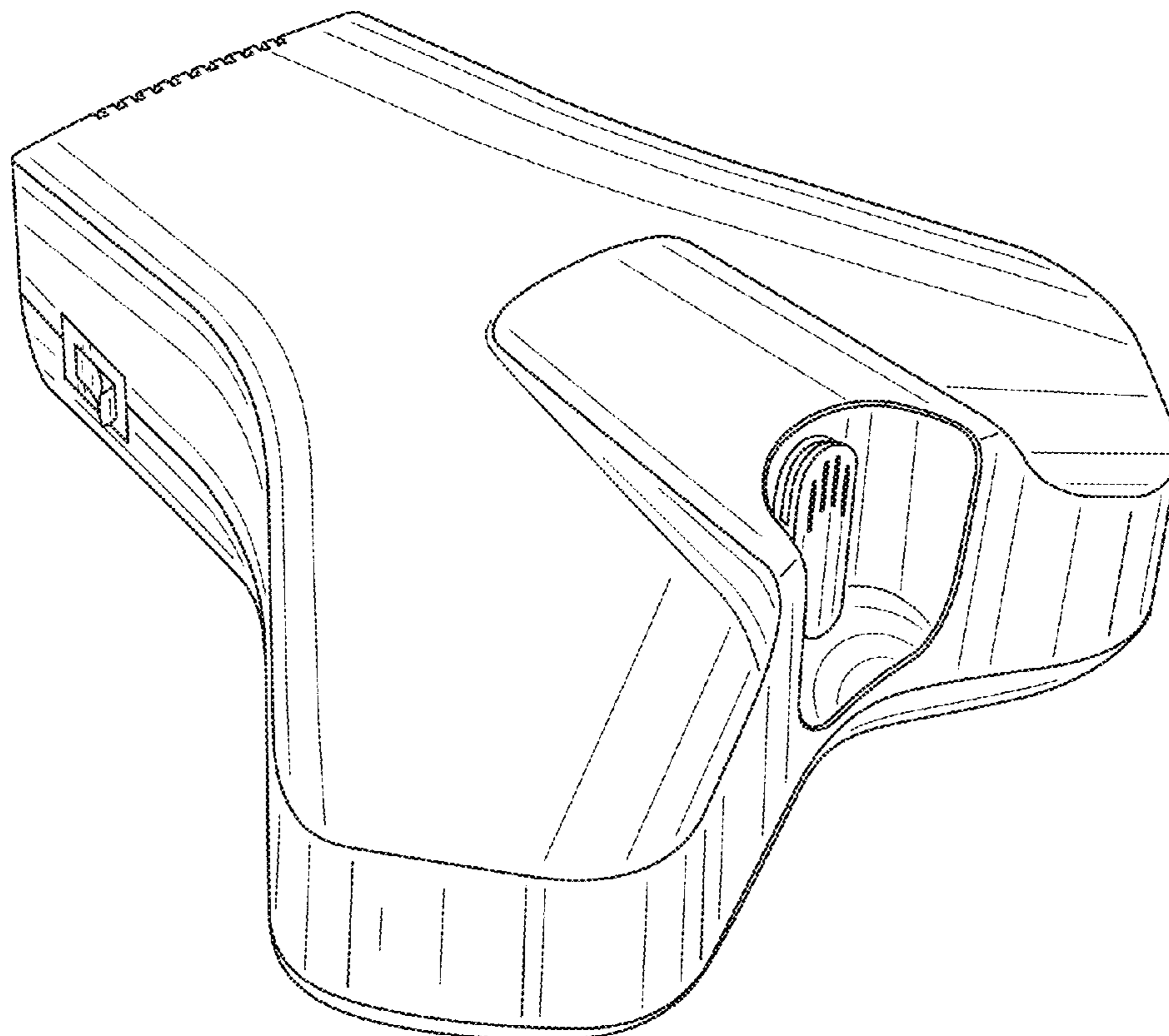
(57) **CLAIM**

I claim the ornamental design for a compressor, as shown and described.

DESCRIPTION

FIG. 1 is a right-rear perspective view of the compressor; FIG. 2 is a rear view of the compressor shown in FIG. 1; FIG. 3 is a front view of the compressor shown in FIG. 1; FIG. 4 is a right side view of the compressor shown in FIG. 1; FIG. 5 is a left side view of the compressor shown in FIG. 1; FIG. 6 is a top view of the compressor shown in FIG. 1; and, FIG. 7 is a bottom view of the compressor shown in FIG. 1. The subject matter shown in broken lines in FIGS. 3 and 7, and any surfaces of the design not shown, including interior surfaces, form no part of the claimed design.

1 Claim, 5 Drawing Sheets



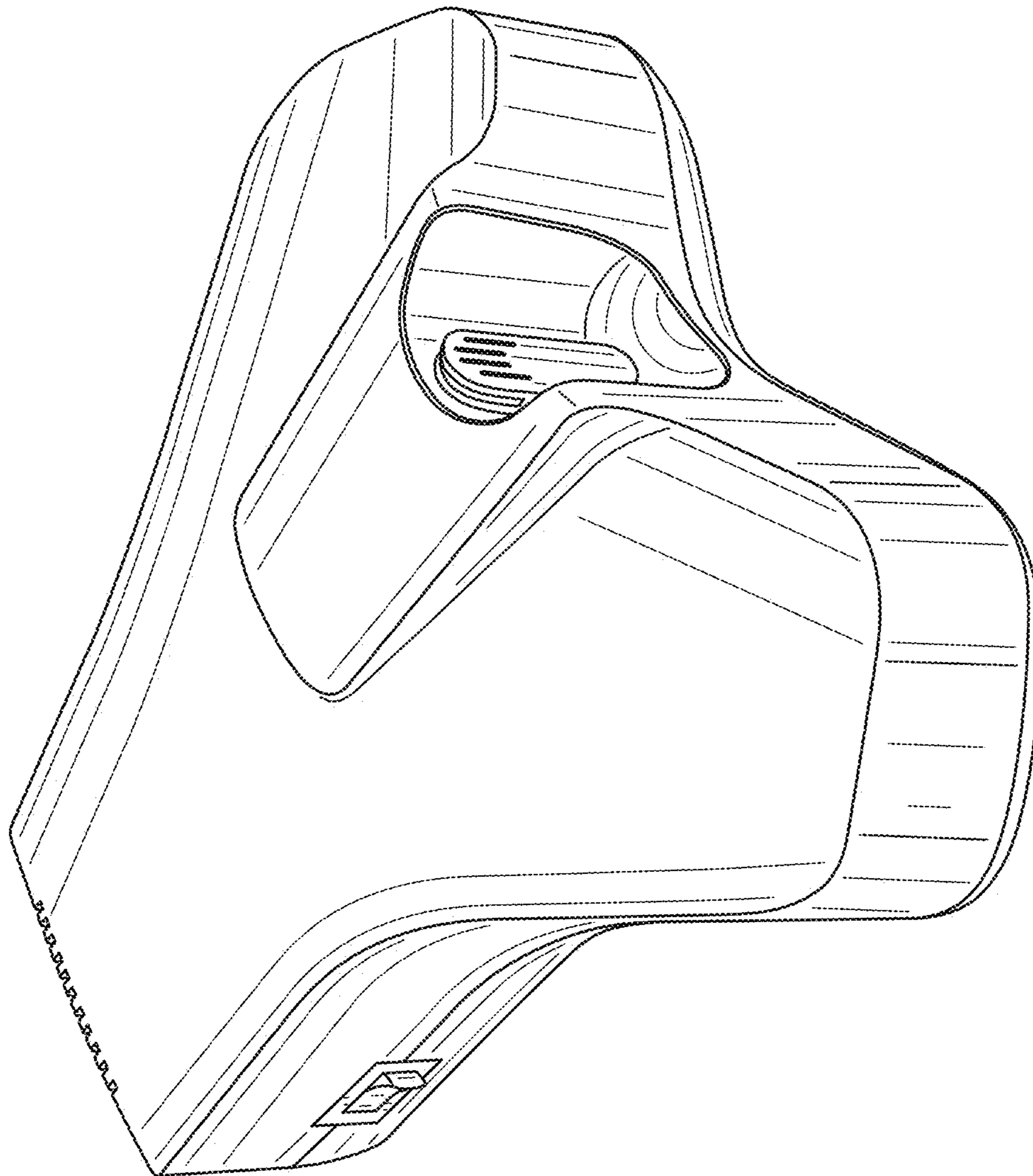


FIG. 1

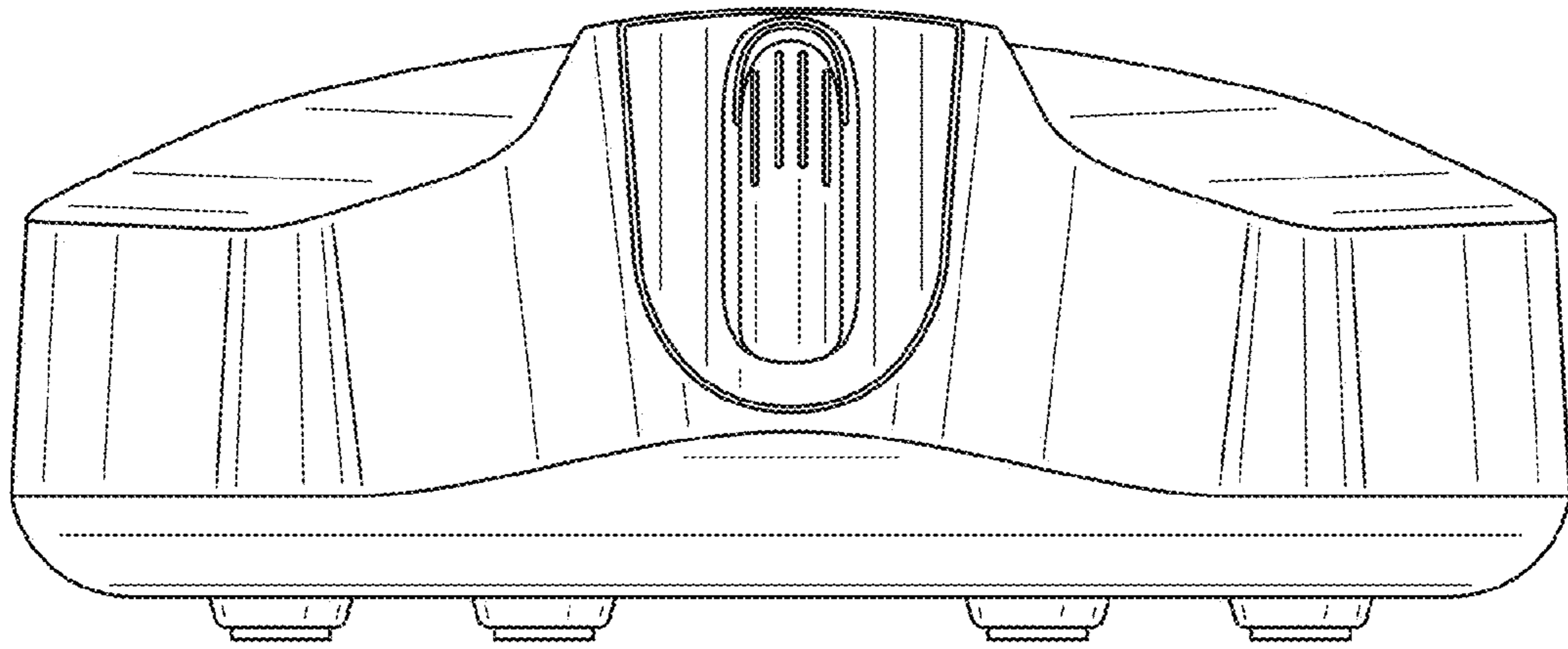


FIG. 2

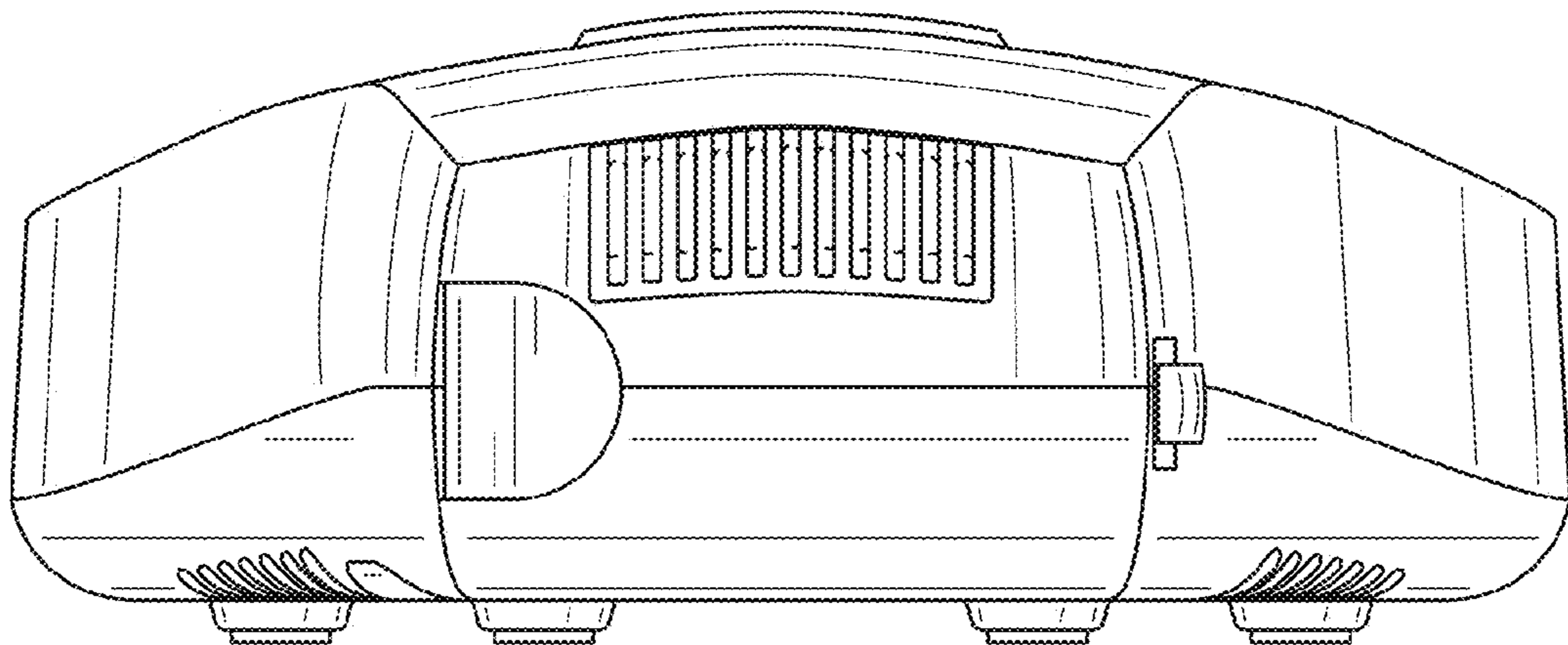


FIG. 3

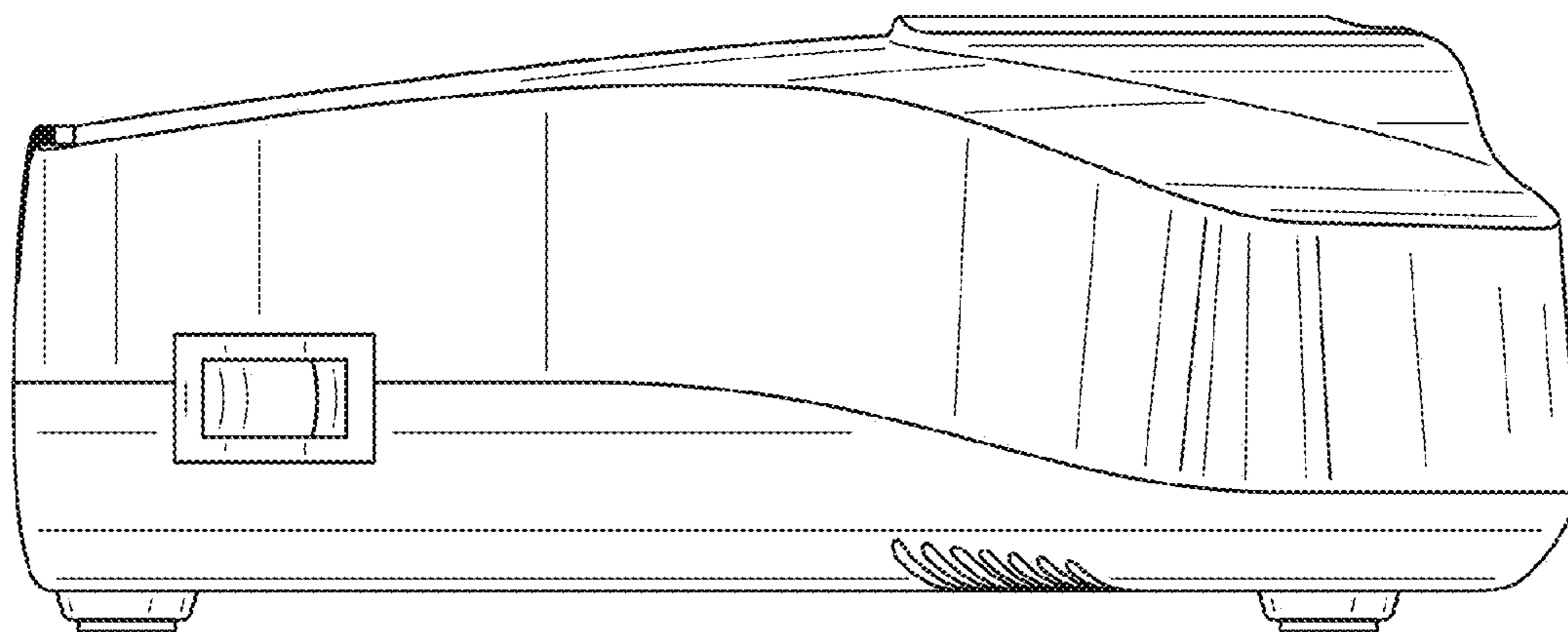


FIG. 4

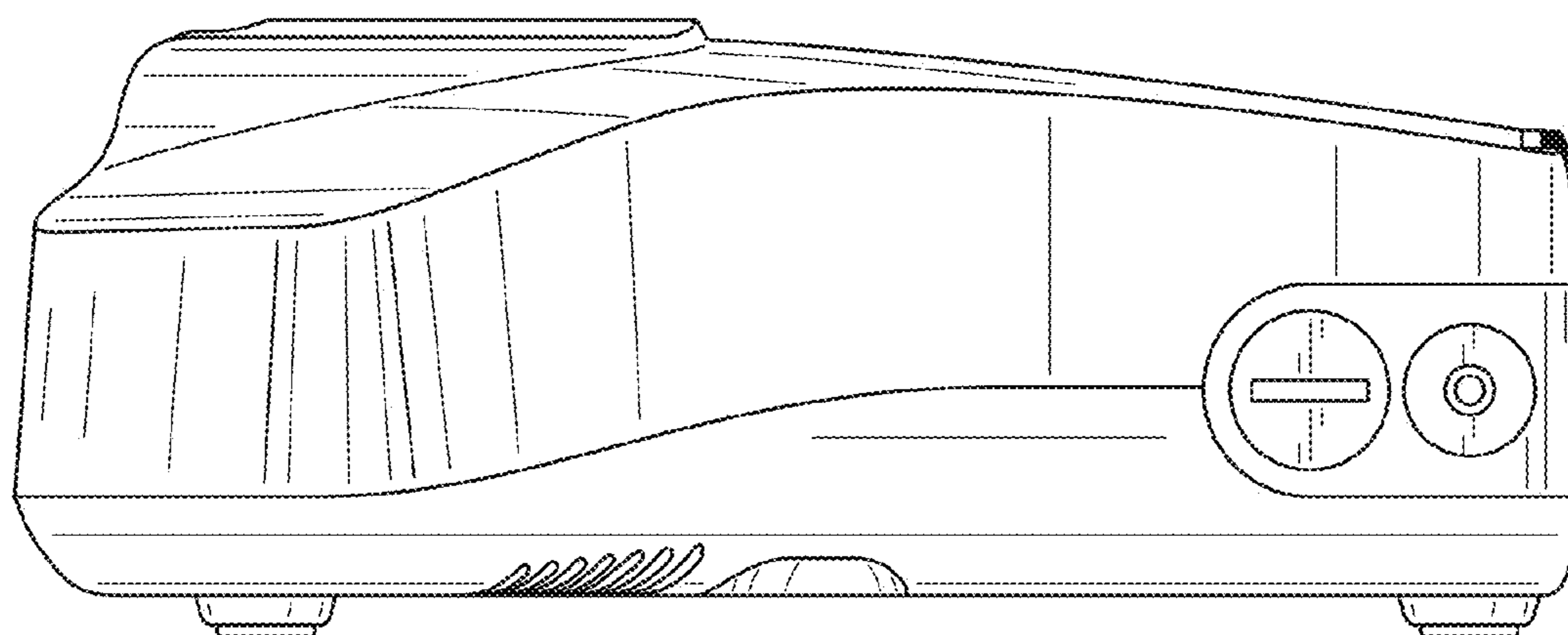


FIG. 5

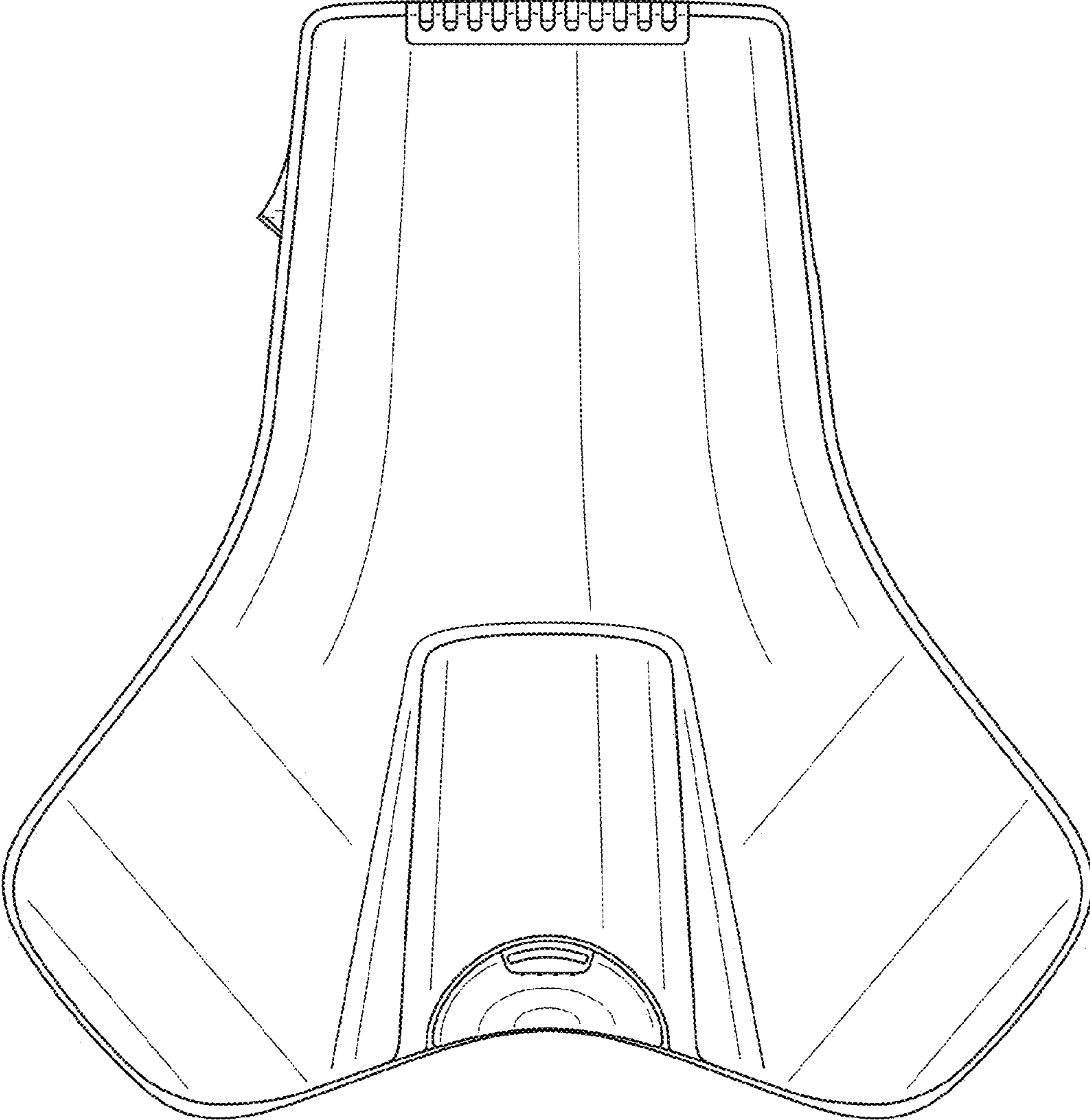


FIG. 6

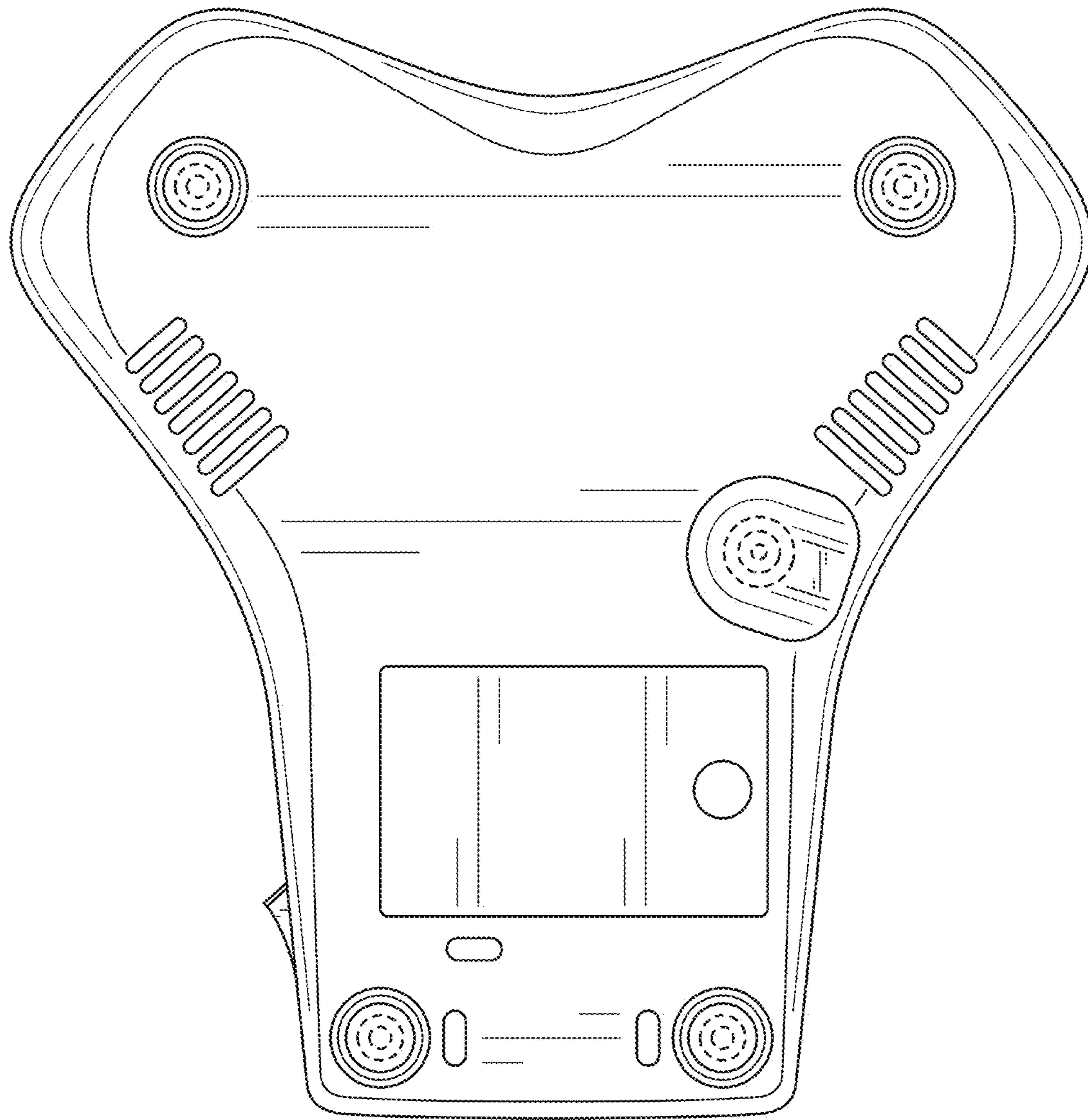


FIG. 7