



US00D710903S

(12) **United States Design Patent**  
**Vintzel et al.**

(10) **Patent No.:** **US D710,903 S**

(45) **Date of Patent:** **\*\* Aug. 12, 2014**

(54) **AIR COMPRESSOR**

(71) Applicant: **Black & Decker Inc.**, Newark, DE (US)

(72) Inventors: **James Vintzel**, Jackson, TN (US);  
**Stephen J. Vos**, Jackson, TN (US)

(73) Assignee: **Black & Decker Inc.**, Newark, DE (US)

(\*\*) Term: **14 Years**

(21) Appl. No.: **29/446,486**

(22) Filed: **Feb. 25, 2013**

(51) **LOC (10) CL.** ..... **15-02**

(52) **U.S. Cl.**  
USPC ..... **D15/9**

(58) **Field of Classification Search**  
USPC ..... D15/7-9; D23/231, 232, 225;  
417/410.1, 359, 415-416, 234, 321,  
417/265, 405  
See application file for complete search history.

(56) **References Cited**

**U.S. PATENT DOCUMENTS**

D440,578 S *	4/2001	Nolan	.....	D15/9
D444,796 S *	7/2001	Morgan	.....	D15/9
D444,797 S *	7/2001	Davis et al.	.....	D15/9
6,375,437 B1 *	4/2002	Nolan	.....	417/234
6,582,201 B2 *	6/2003	Lucchi	.....	417/234
D499,431 S *	12/2004	Chen	.....	D15/9
D499,747 S *	12/2004	Buck	.....	D15/9
D539,310 S *	3/2007	Matsuoka et al.	.....	D15/9

D541,306 S *	4/2007	Welsh et al.	.....	D15/9
D559,273 S *	1/2008	Hernandez et al.	.....	D15/9
D603,872 S *	11/2009	Averill et al.	.....	D15/9
D604,746 S *	11/2009	Nishido et al.	.....	D15/7
D680,555 S *	4/2013	Craig et al.	.....	D15/7
D680,556 S *	4/2013	Craig et al.	.....	D15/7

\* cited by examiner

*Primary Examiner* — Ralf Seifert

(74) *Attorney, Agent, or Firm* — Rhonda L. Barton

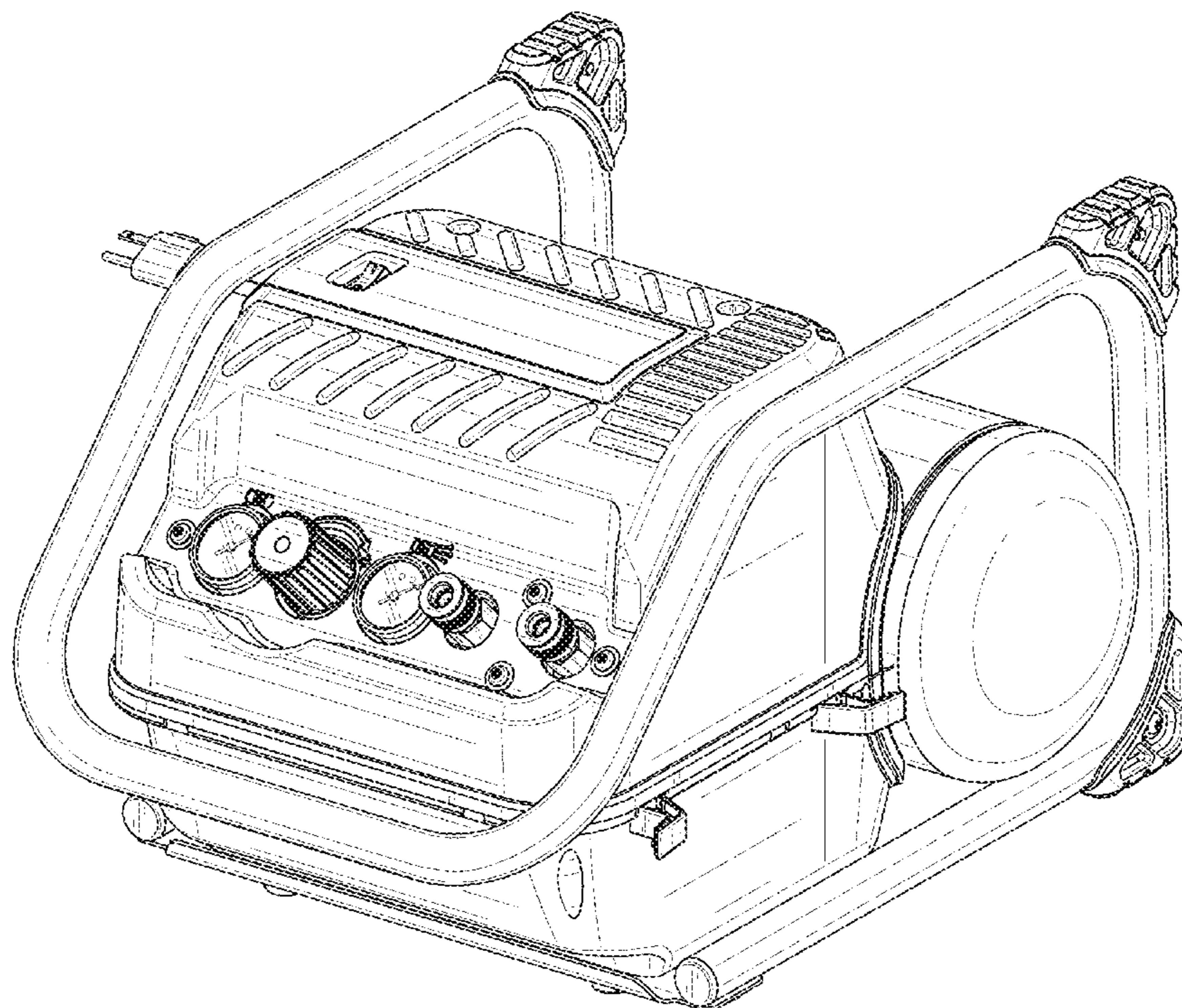
(57) **CLAIM**

The ornamental design for an air compressor, as shown and described.

**DESCRIPTION**

FIG. 1 is a left side perspective view of an air compressor showing my new design in a first position;  
FIG. 2 is a front view thereof;  
FIG. 3 is a back view thereof;  
FIG. 4 is a right side view thereof;  
FIG. 5 is a left side view thereof;  
FIG. 6 is a top view thereof;  
FIG. 7 is a bottom view thereof; and,  
FIG. 8 is a left side perspective view thereof showing my new design in a second position.  
The broken lines in FIG. 7 are included for the purpose of illustrating portions of the air compressor that form no part of the claimed design.

**1 Claim, 8 Drawing Sheets**



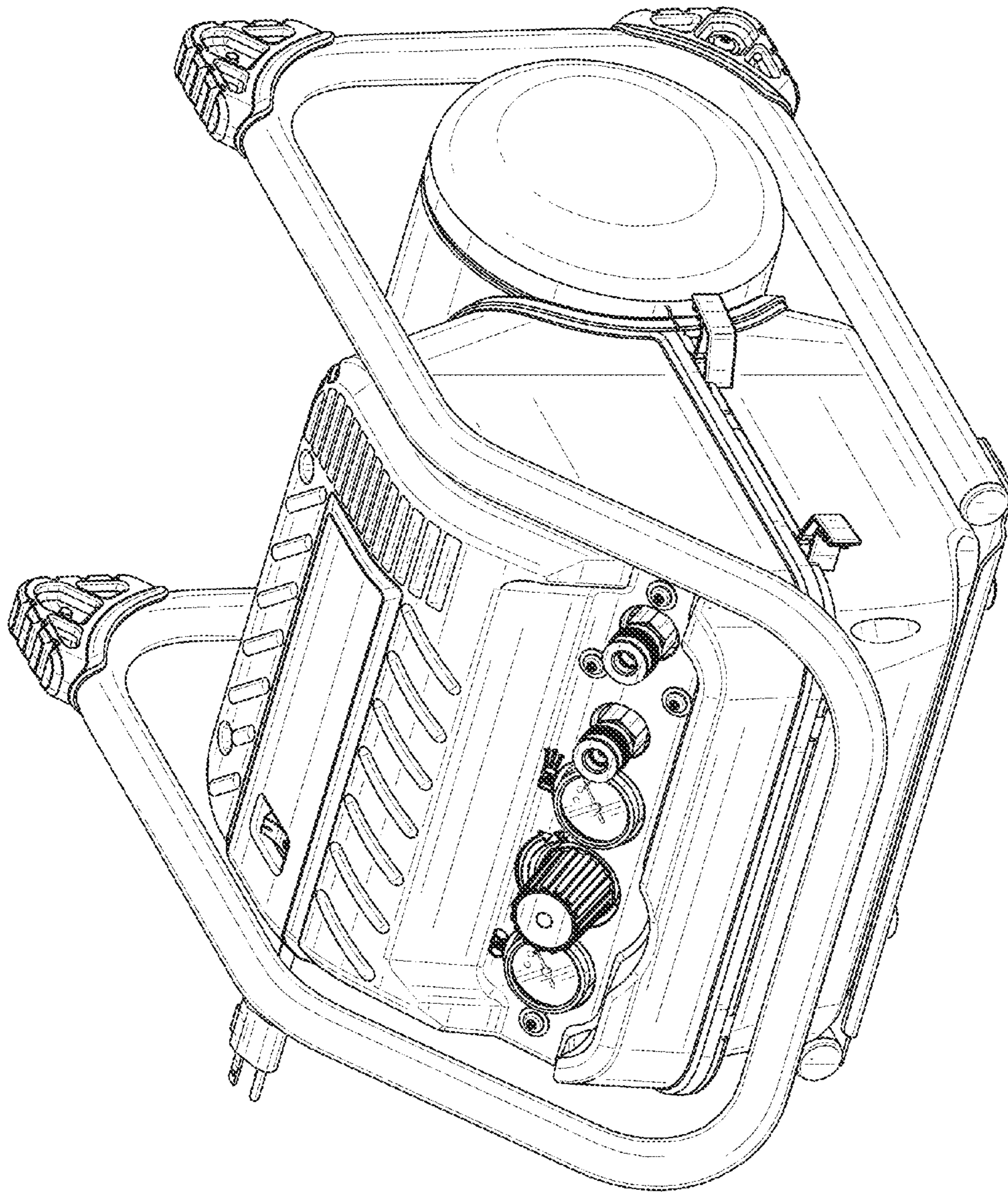


FIG. 1

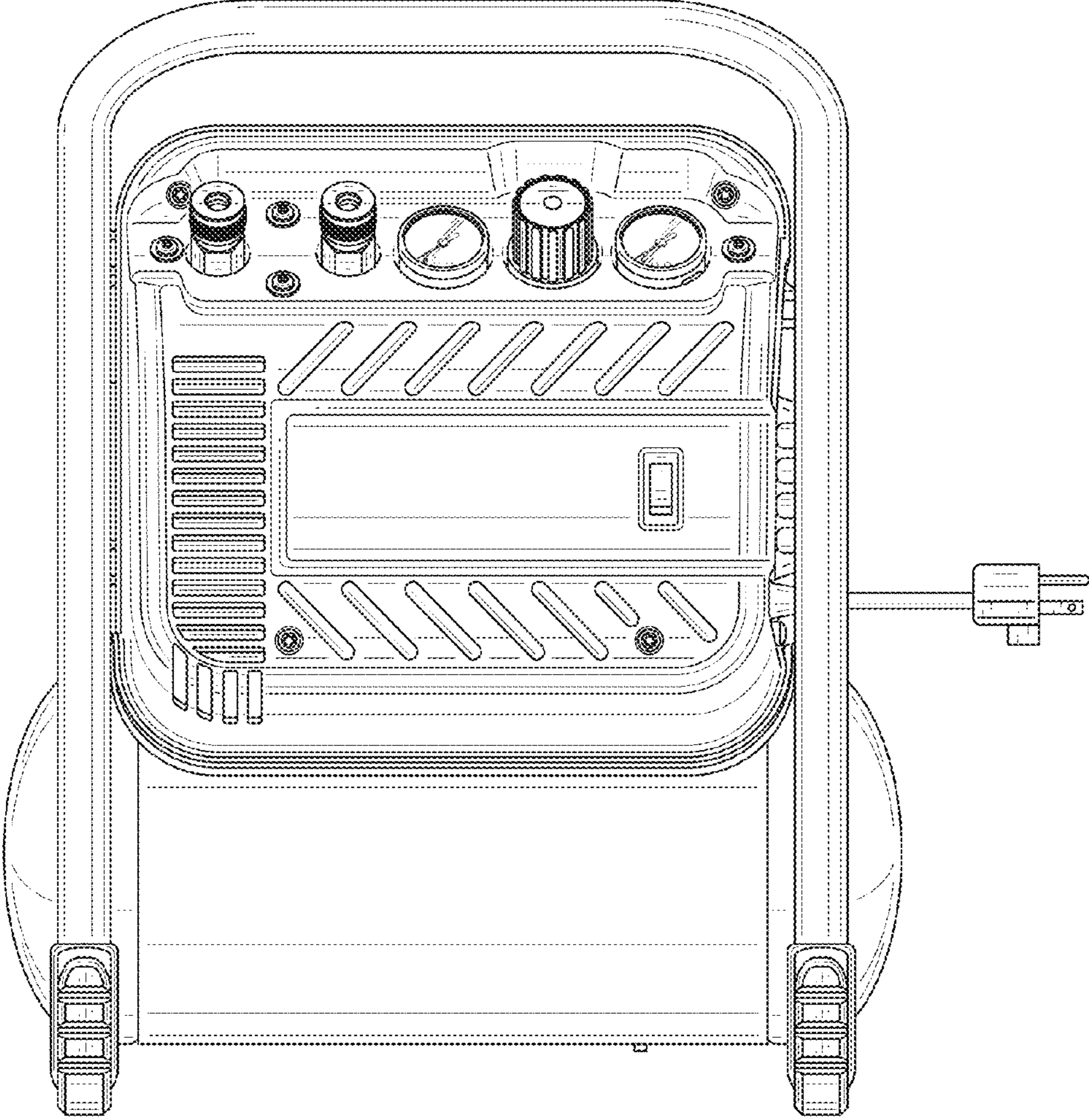


FIG. 2

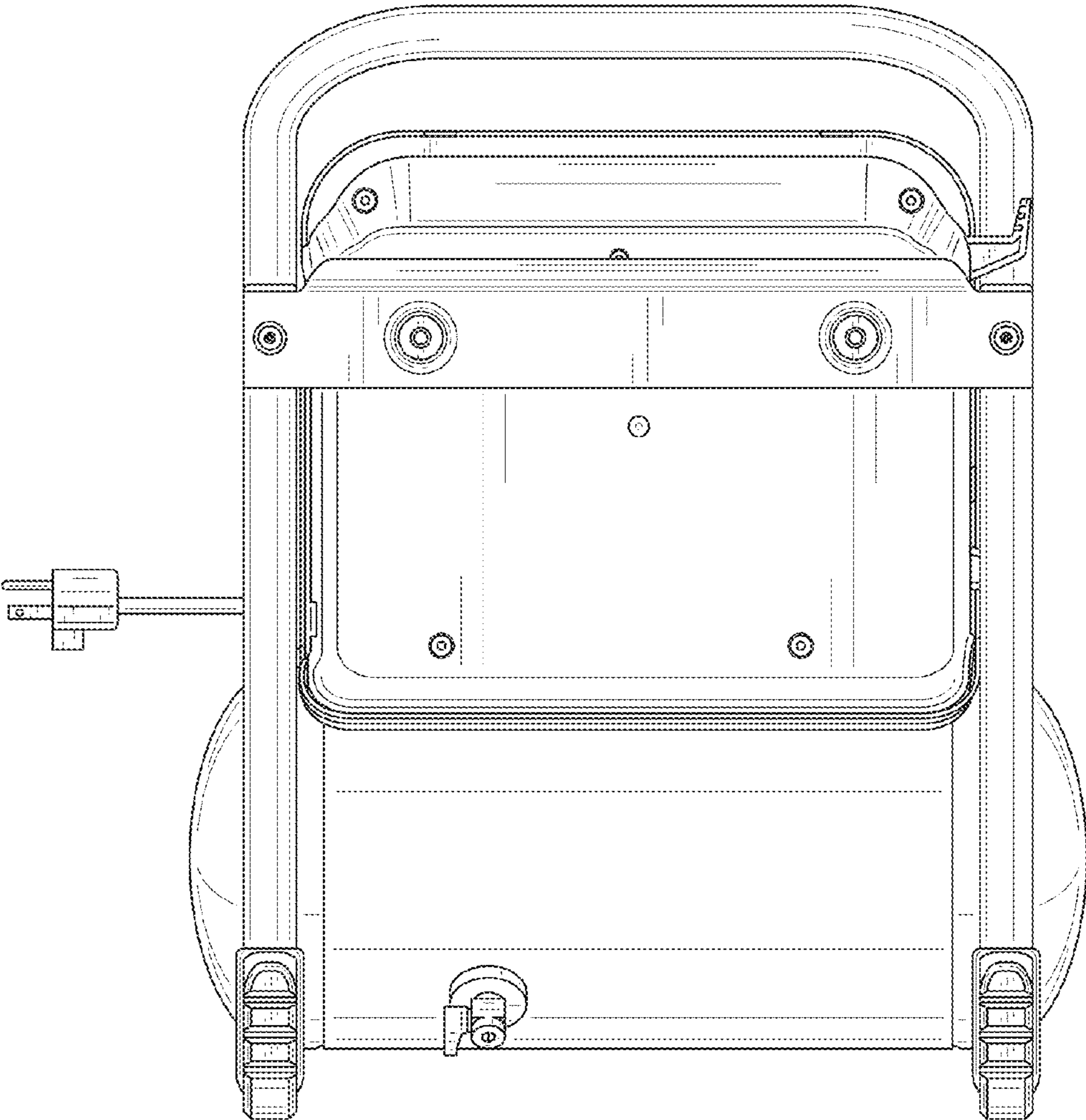


FIG. 3

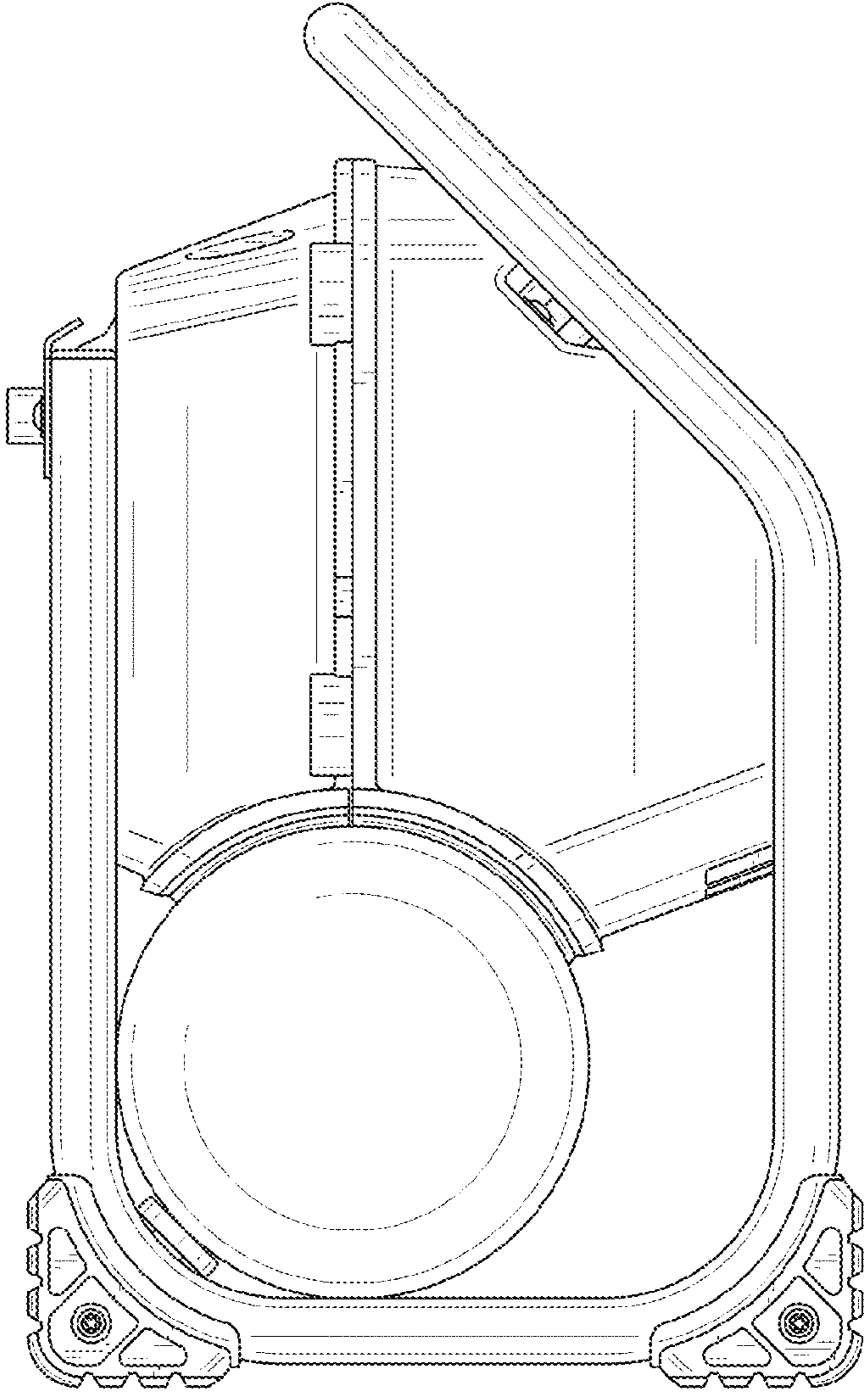


FIG. 4

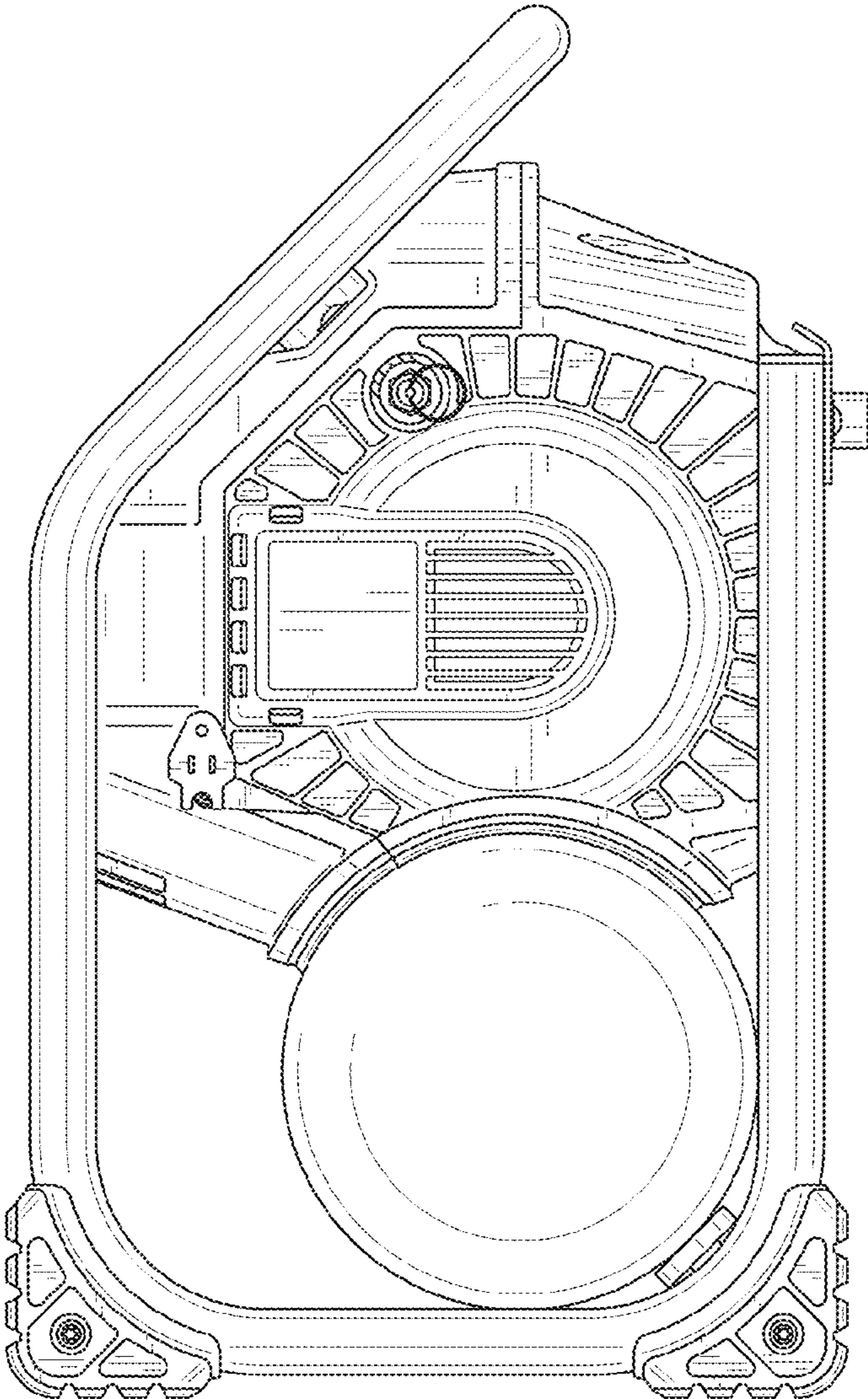


FIG. 5

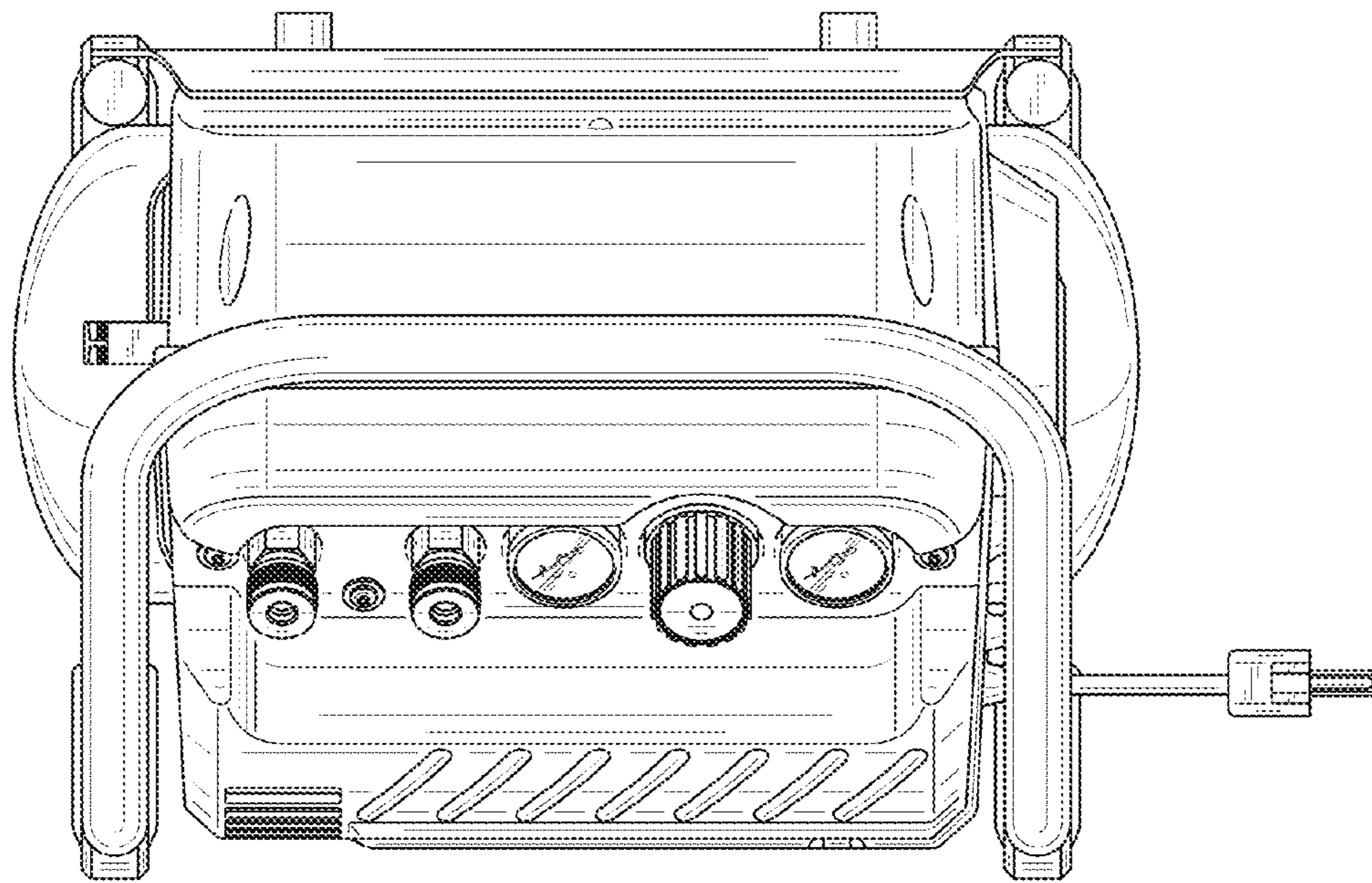


FIG. 6

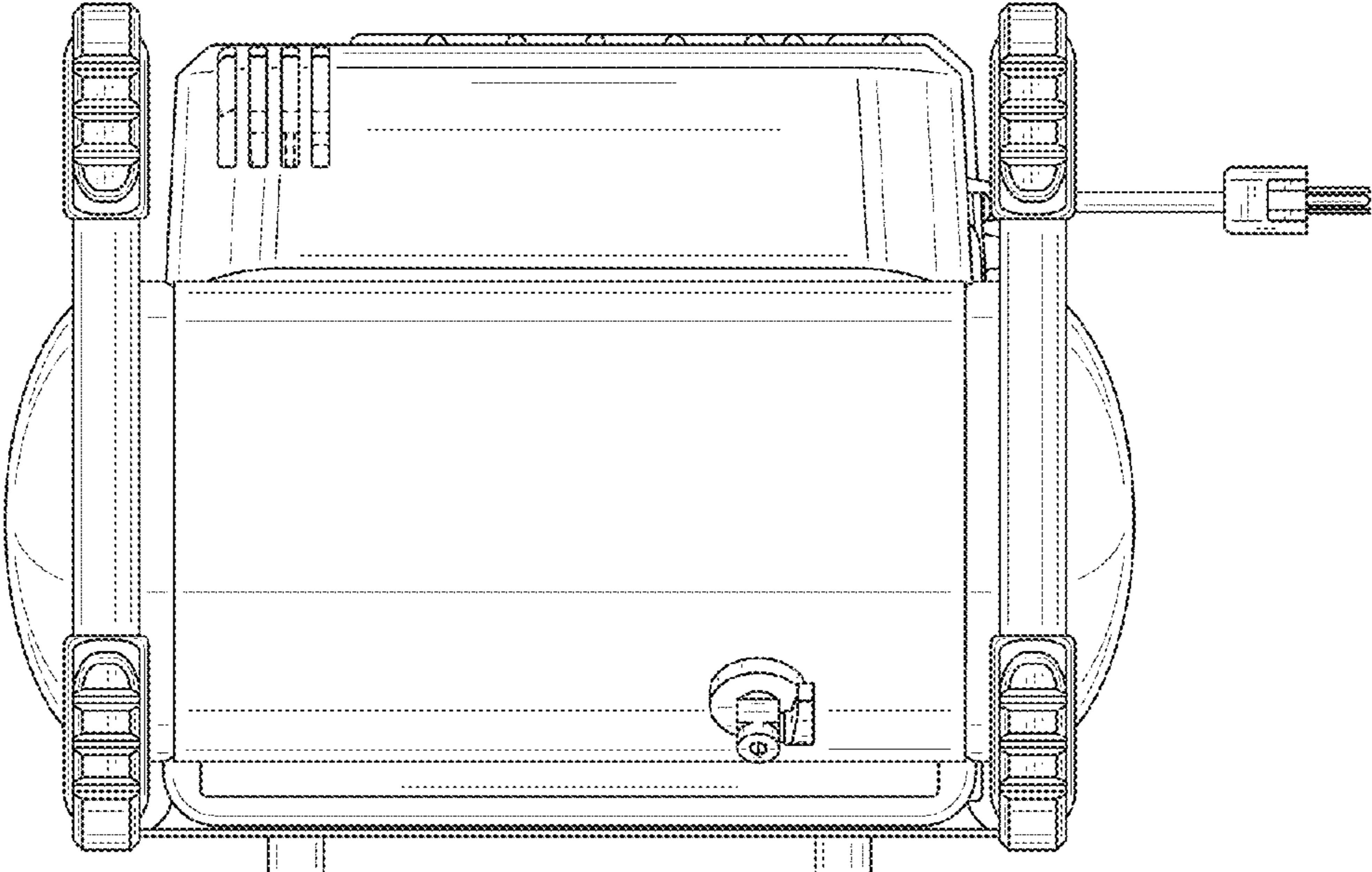


FIG. 7



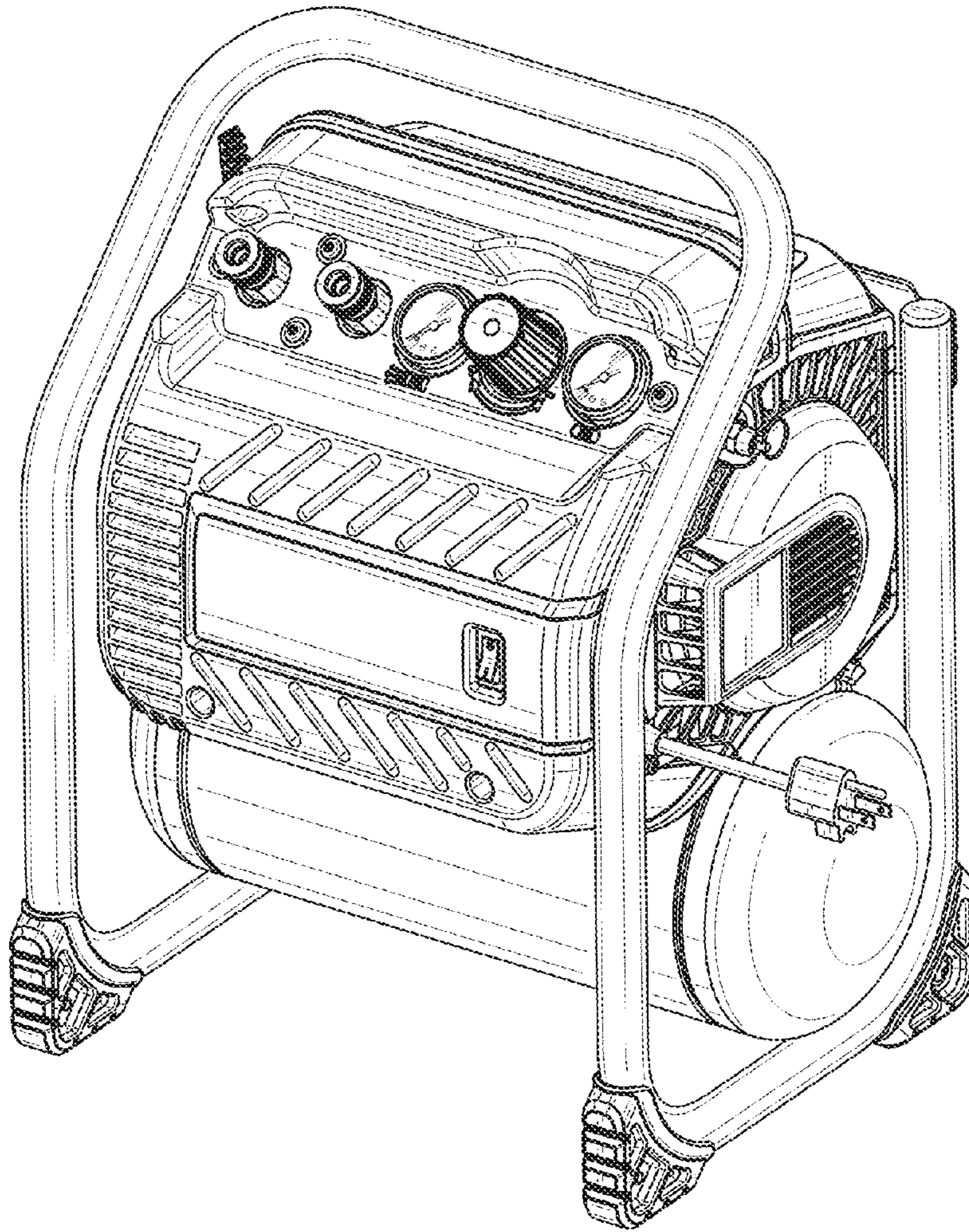


FIG. 8