



US00D710901S

(12) **United States Design Patent**  
**Brokenshire et al.**

(10) **Patent No.:** **US D710,901 S**

(45) **Date of Patent:** **\*\* Aug. 12, 2014**

(54) **PUMP**

(75) Inventors: **Steven Brokenshire**, St. Ives (GB);  
**David Crowsley**, Falmouth (GB); **Oliver Warren**, Truro (GB)

(73) Assignee: **Watson Marlow Limited**, Cornwall (GB)

(\*\*) Term: **14 Years**

(21) Appl. No.: **29/428,669**

(22) Filed: **Aug. 2, 2012**

(30) **Foreign Application Priority Data**

Feb. 7, 2012 (GB) ..... 001987876-0001  
Feb. 7, 2012 (GB) ..... 001987876-0002  
Feb. 7, 2012 (GB) ..... 001987876-0003

(51) **LOC (10) Cl.** ..... **15-02**

(52) **U.S. Cl.**  
USPC ..... **D15/7**

(58) **Field of Classification Search**  
USPC ..... D15/7-9; D23/231, 232, 225; 417/60,  
417/235, 265, 321, 355, 358, 363, 359,  
417/410.1, 415-416, 405, 900; 60/408,  
60/412; 415/140-147  
See application file for complete search history.

(56) **References Cited**

**U.S. PATENT DOCUMENTS**

D236,163 S \* 7/1975 Manno ..... D24/111  
D277,602 S \* 2/1985 Benson et al. .... D24/111

D289,523 S \* 4/1987 Fussell ..... D15/9  
D290,127 S \* 6/1987 Goldman et al. .... D15/8  
D303,533 S \* 9/1989 Eberhardt et al. .... D15/7  
D499,425 S \* 12/2004 Pirzada ..... D15/7  
D518,490 S 4/2006 Pirzada  
D635,588 S \* 4/2011 Sprules ..... D15/7

**FOREIGN PATENT DOCUMENTS**

EP 000681333-0001 3/2007

\* cited by examiner

*Primary Examiner* — Ralf Seifert

(74) *Attorney, Agent, or Firm* — MacMillan, Sobanski & Todd, LLC

(57) **CLAIM**

The ornamental design for a pump, as shown.

**DESCRIPTION**

FIG. 1 is a perspective view of a pump unit embodying our design.

FIG. 2 is a front side elevational view thereof.

FIG. 3 is a rear side elevational view thereof.

FIG. 4 is a left side elevational view thereof.

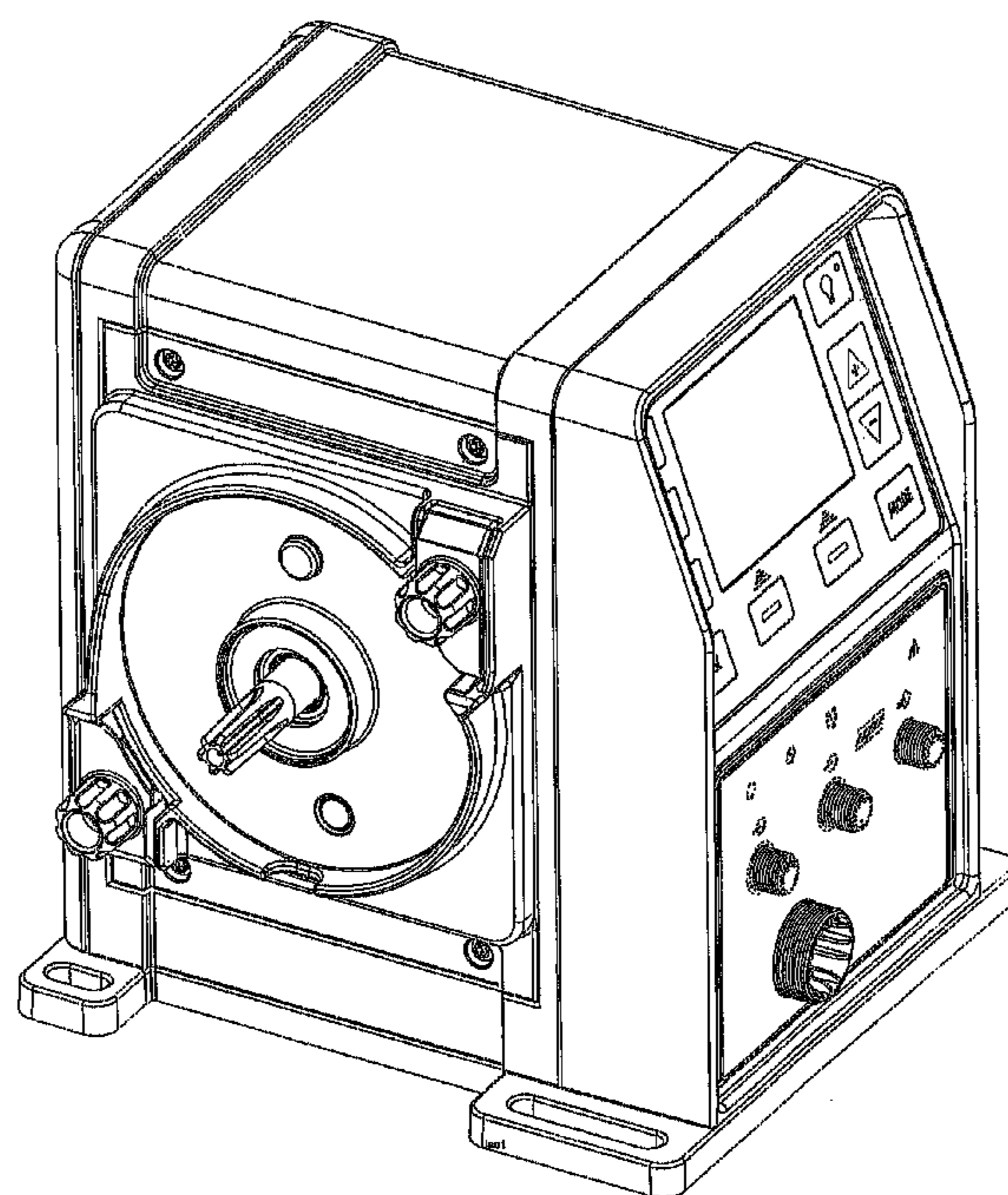
FIG. 5 is a right side elevational view thereof.

FIG. 6 is a top plan view thereof; and,

FIG. 7 is a bottom plan view thereof.

The broken lines in FIGS. 2, 4, and 7 are included for the purpose of illustrating portions of the design that form no part of the claimed design.

**1 Claim, 7 Drawing Sheets**



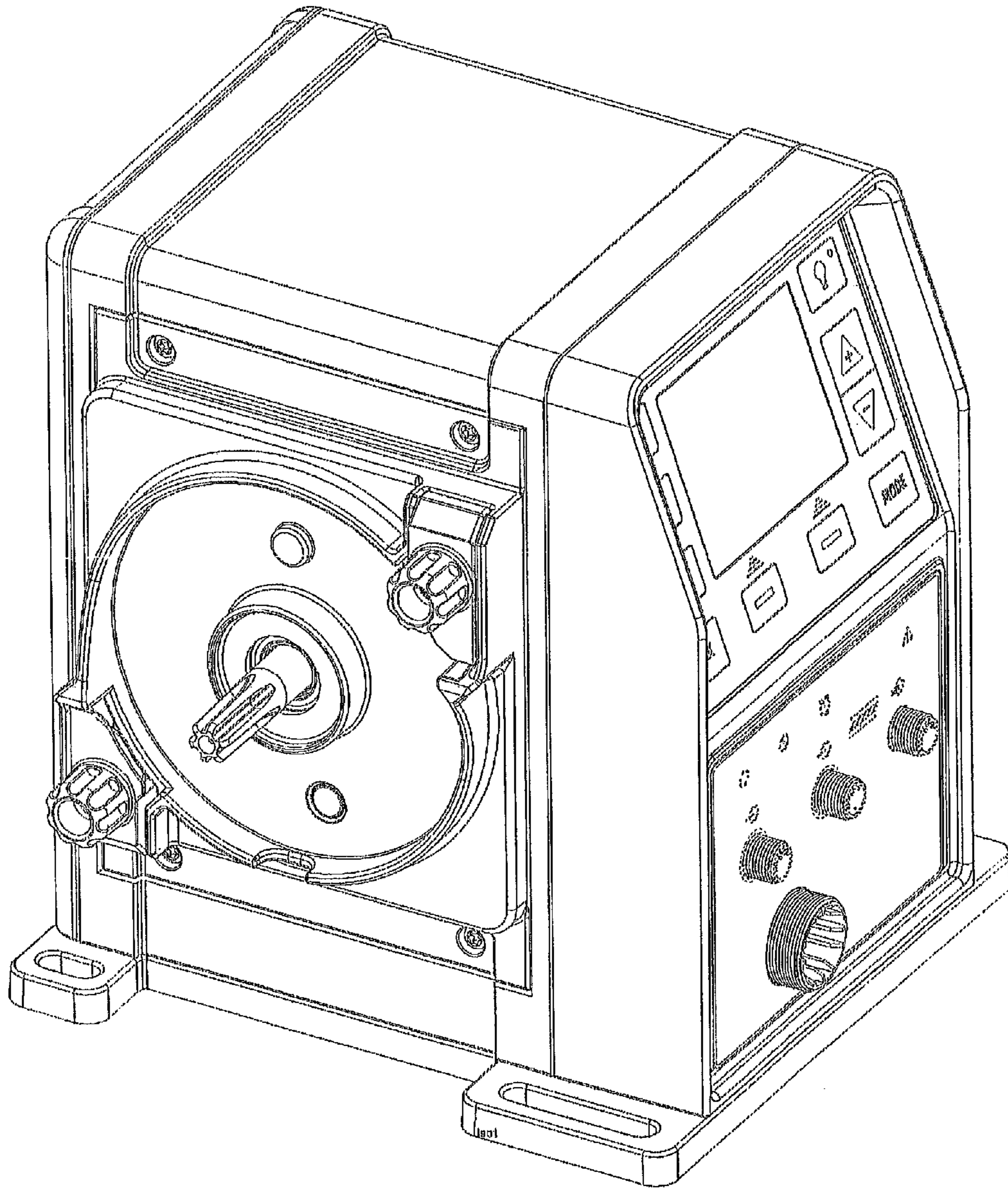


FIG. 1

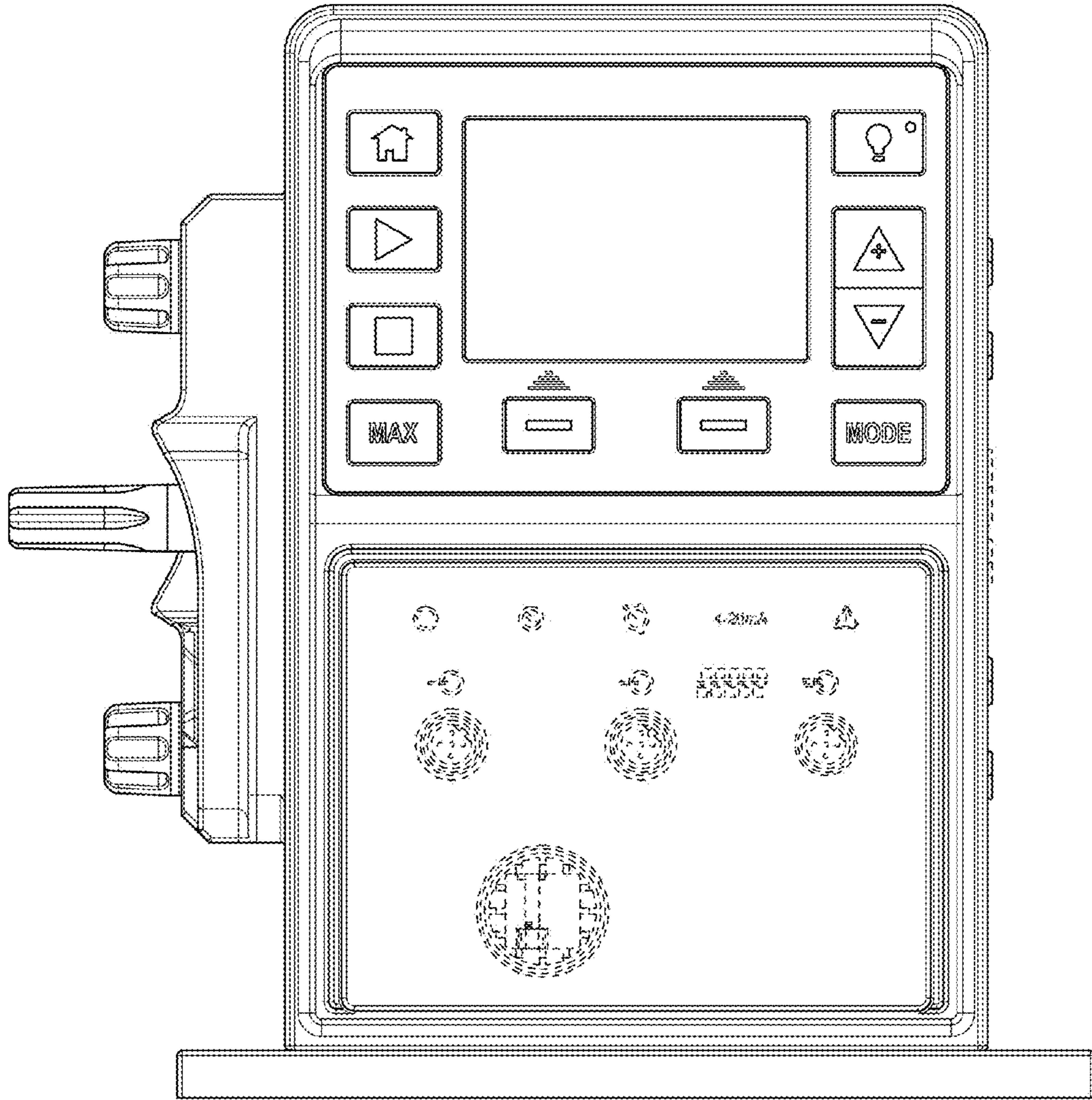


FIG. 2

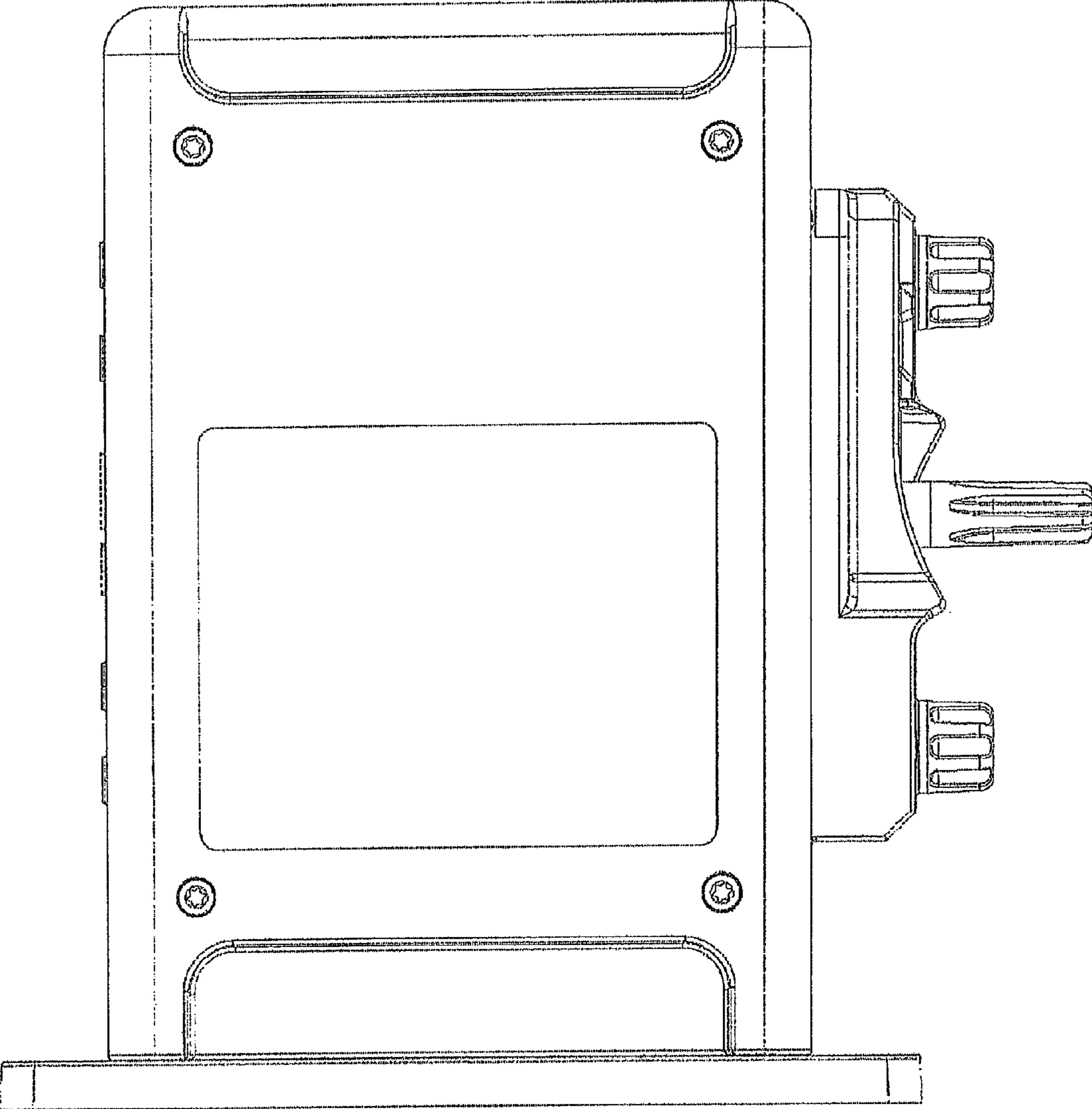


FIG. 3

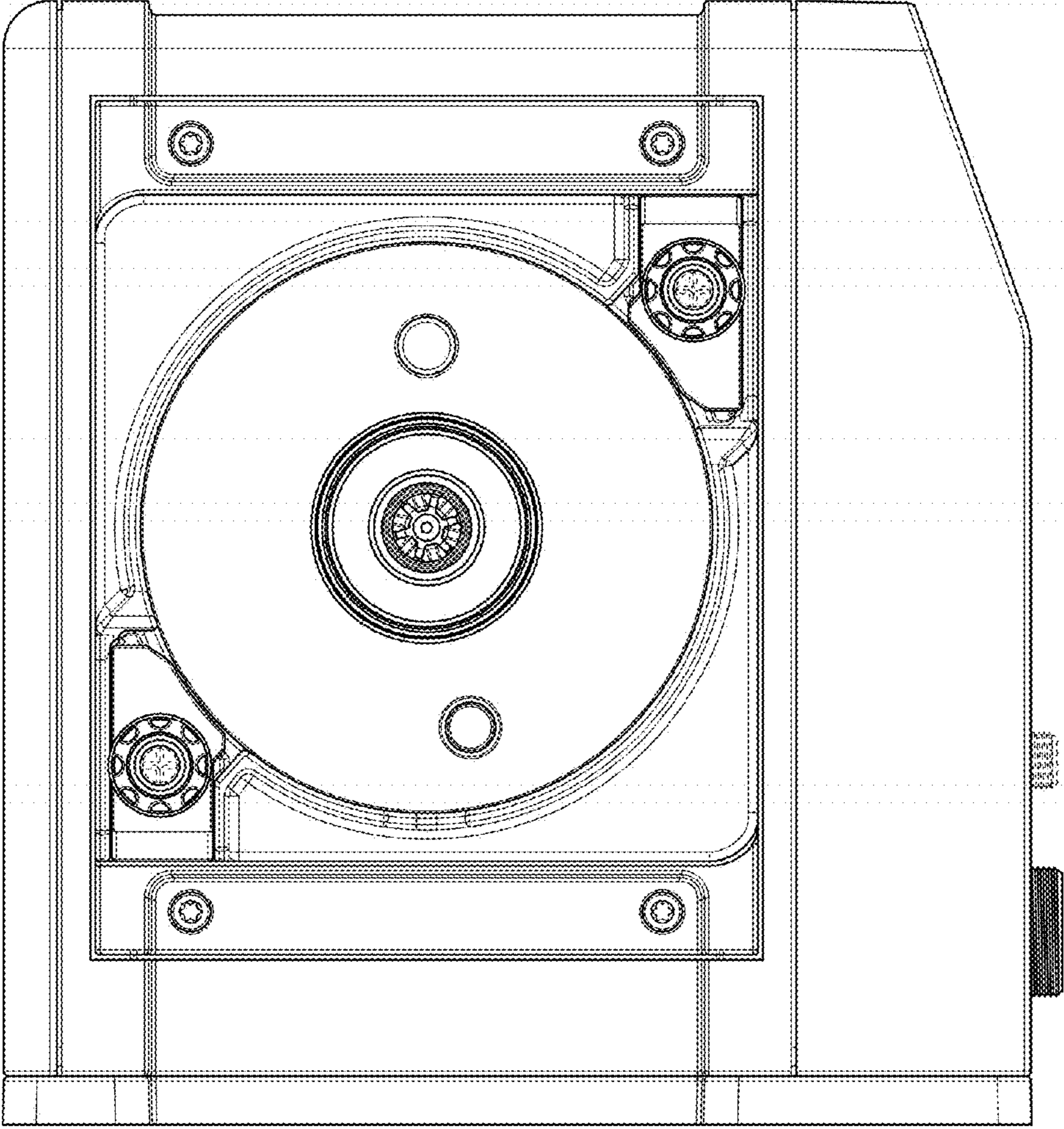


FIG. 4

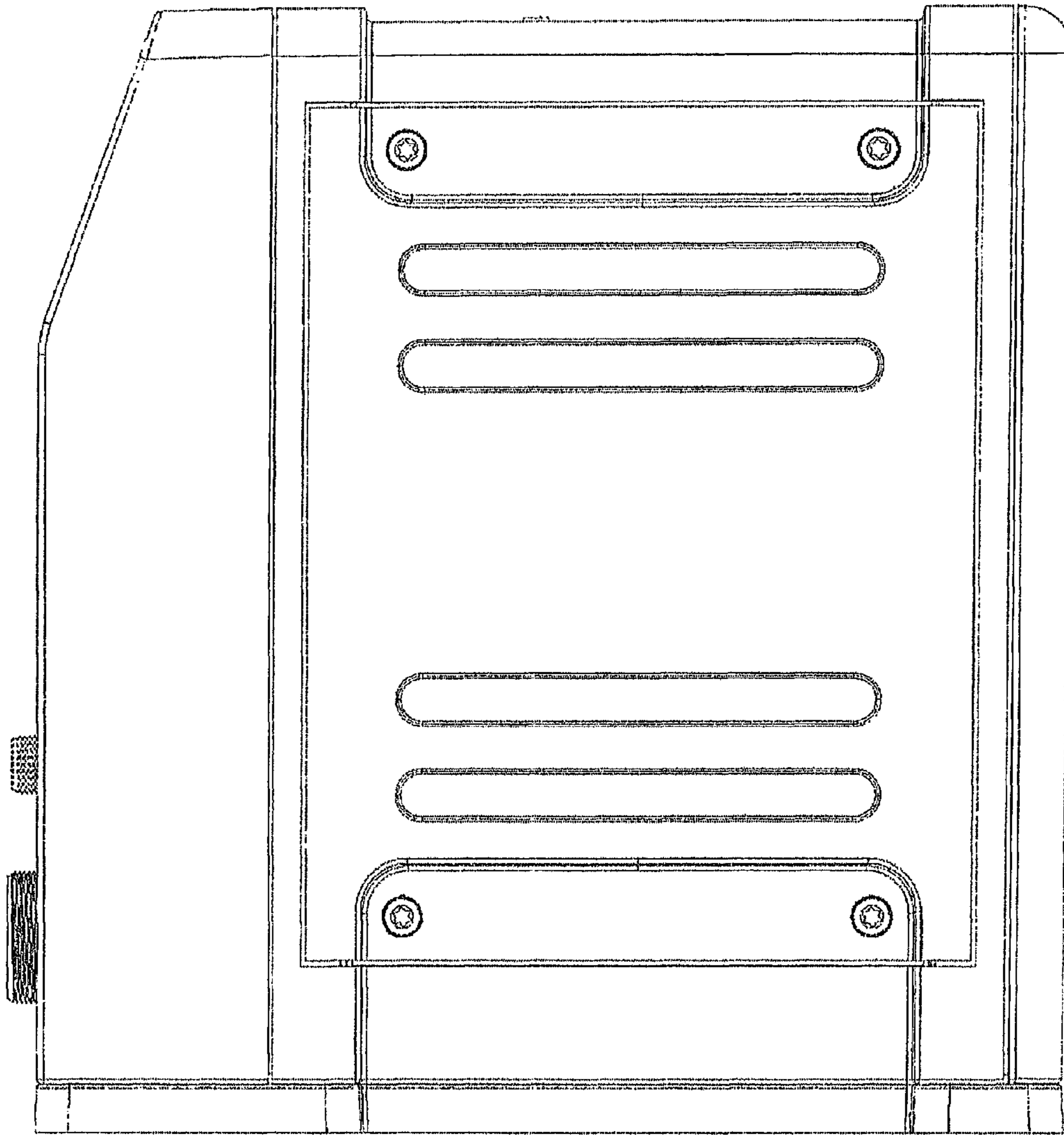


FIG. 5

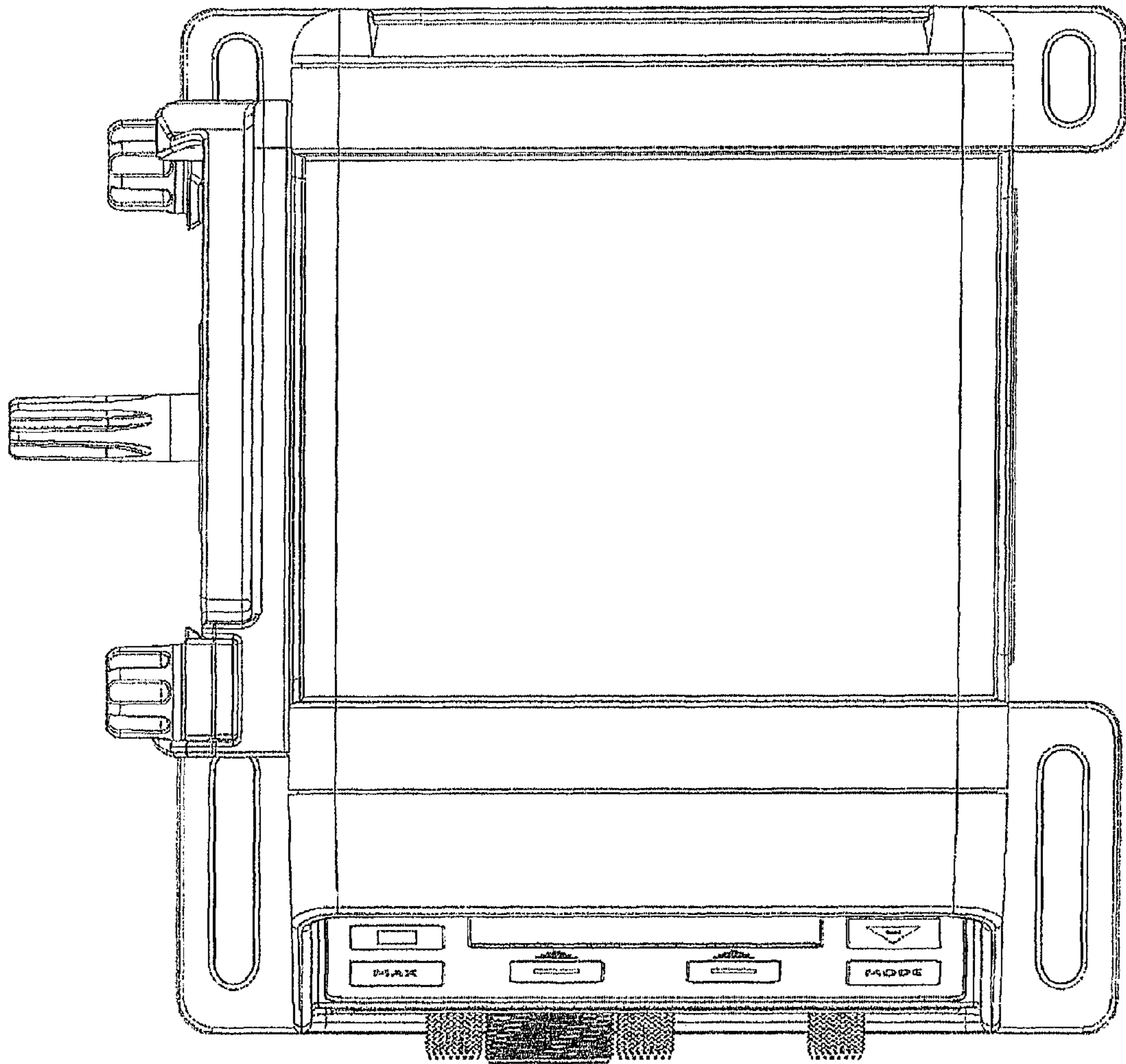


FIG. 6

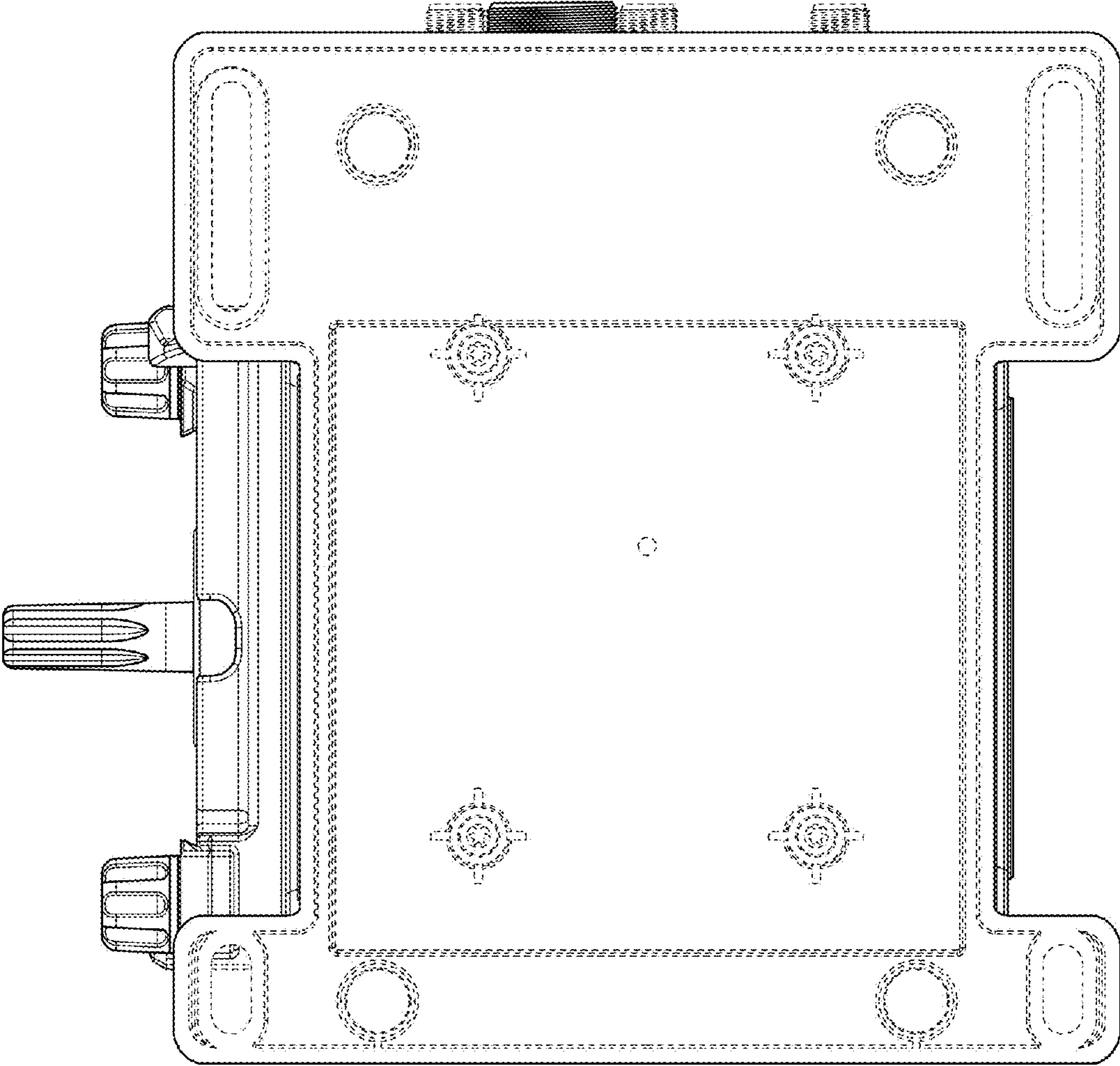


FIG. 7