



US00D710892S

(12) **United States Design Patent**
Hollobaugh et al.

(10) **Patent No.:** **US D710,892 S**

(45) **Date of Patent:** **** Aug. 12, 2014**

(54) **DISPLAY SCREEN WITH ICON**

(71) Applicant: **Microsoft Corporation**, Redmond, WA
(US)

(72) Inventors: **Gregory J. Hollobaugh**, Seattle, WA
(US); **Han-Yi Shaw**, Redmond, WA
(US); **Maria M. Cameron**, Seattle, WA
(US)

(73) Assignee: **Microsoft Corporation**, Redmond, WA
(US)

(**) Term: **14 Years**

(21) Appl. No.: **29/448,357**

(22) Filed: **Mar. 12, 2013**

(51) **LOC (10) Cl.** **14-04**

(52) **U.S. Cl.**
USPC **D14/490**

(58) **Field of Classification Search**
USPC D14/485-495; 715/715, 727, 728, 763,
715/779, 810, 825, 835, 836, 837, 838, 839,
715/840, 845, 846, 847, 864, 962, 976, 977
See application file for complete search history.

(56) **References Cited**

U.S. PATENT DOCUMENTS

5,426,729	A	*	6/1995	Parker	345/441
D385,868	S	*	11/1997	Fumarolo et al.	D14/489
D387,048	S	*	12/1997	Fumarolo et al.	D14/490
D387,049	S	*	12/1997	Fumarolo et al.	D14/490
D544,871	S	*	6/2007	Lim et al.	D14/485
D579,948	S	*	11/2008	Marmier	D14/488
D590,418	S		4/2009	Barcheck et al.		
D599,815	S	*	9/2009	Ogura et al.	D14/490
D622,286	S	*	8/2010	Umezawa	D14/493

D628,584	S	*	12/2010	Umezawa	D14/489
D678,322	S	*	3/2013	Steele et al.	D14/492
D681,664	S	*	5/2013	Phelan et al.	D14/488
D681,667	S	*	5/2013	Phelan	D14/489
D688,699	S	*	8/2013	Gleasant	D14/489

FOREIGN PATENT DOCUMENTS

EM	000885041-0003	*	5/2008
EM	001371462-0058	*	9/2013

OTHER PUBLICATIONS

Office 2010: Visuals and Branding, Microsoft Office 2010 Engineering [Online], [retrieved from Internet on May 3, 2012] Retrieved from Internet <URL: <http://blogs.technet.com/b/office2010/archive/2009/12/11/office-2010-visuals-and-branding.aspx>>.

* cited by examiner

Primary Examiner — Angela J Lee

(74) *Attorney, Agent, or Firm* — Banner & Witcoff, Ltd.

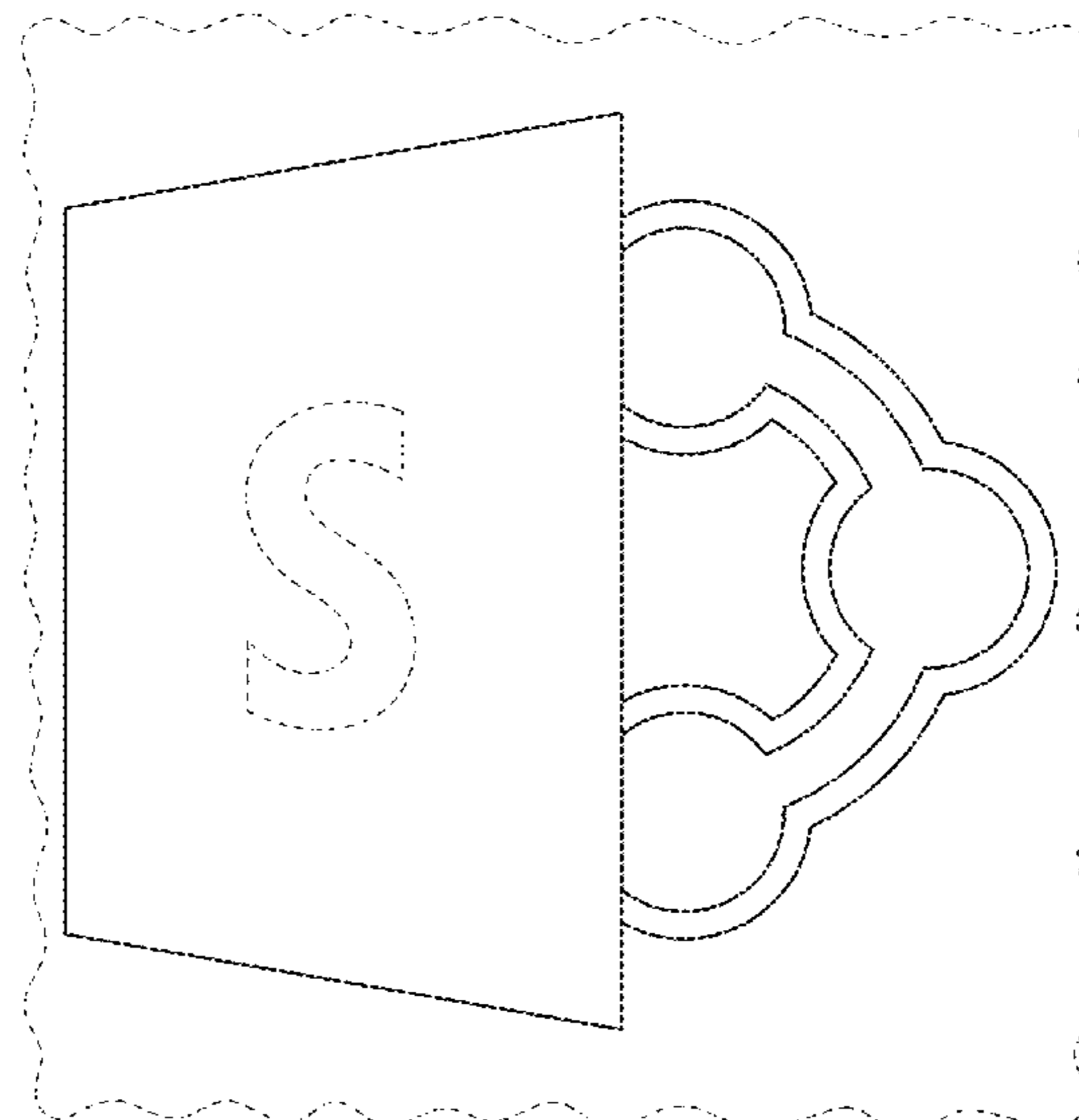
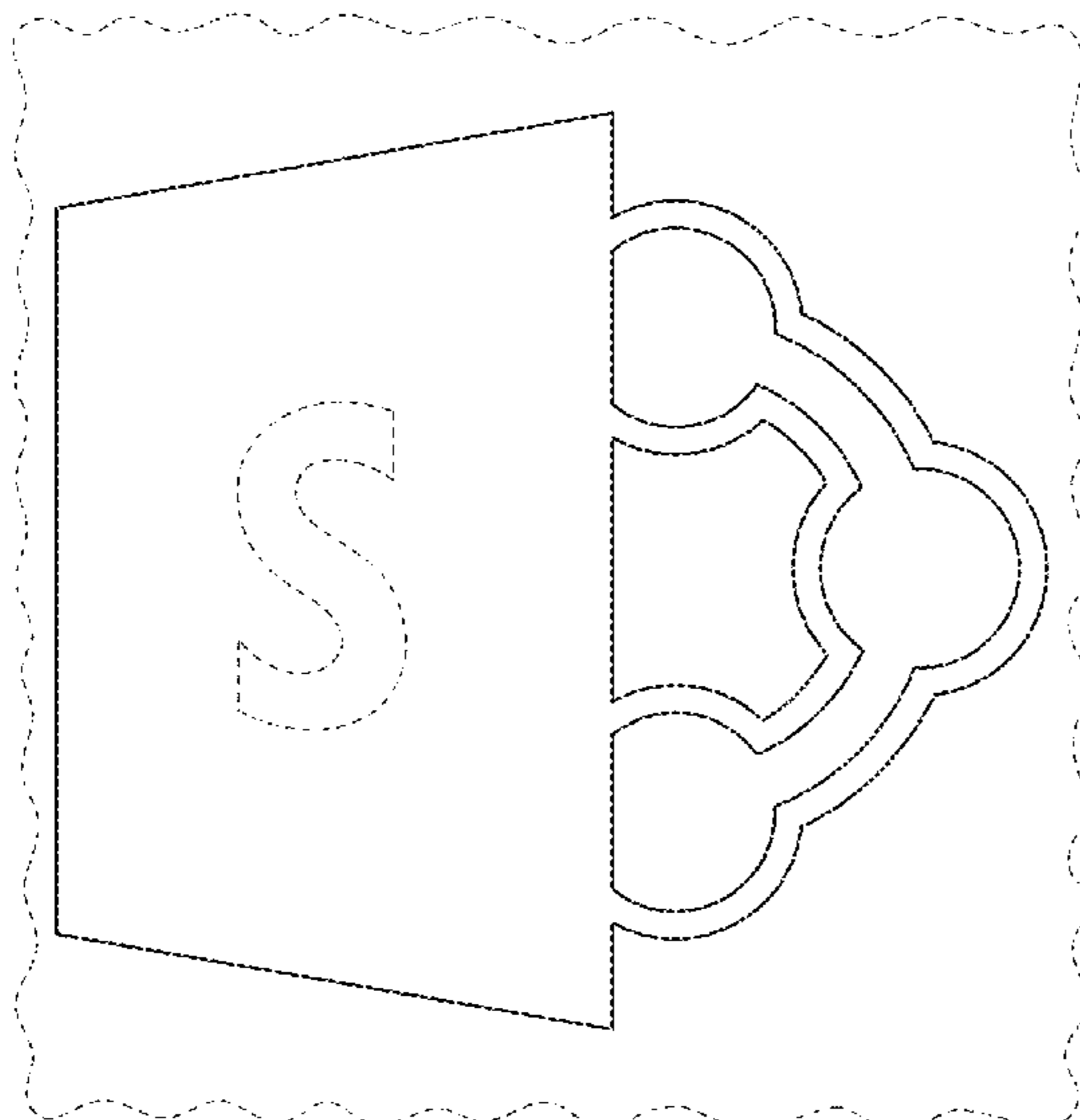
(57) **CLAIM**

The ornamental design for a display screen with icon, as shown and described.

DESCRIPTION

FIG. 1 is a front view of a display screen with icon showing our new design; and, FIG. 2 is a front view of a display screen with icon showing an alternative embodiment of our new design. The broken line showing of the letter S and the remainder of the user interface and display screen is for environmental purposes only and forms no part of the claimed design.

1 Claim, 2 Drawing Sheets



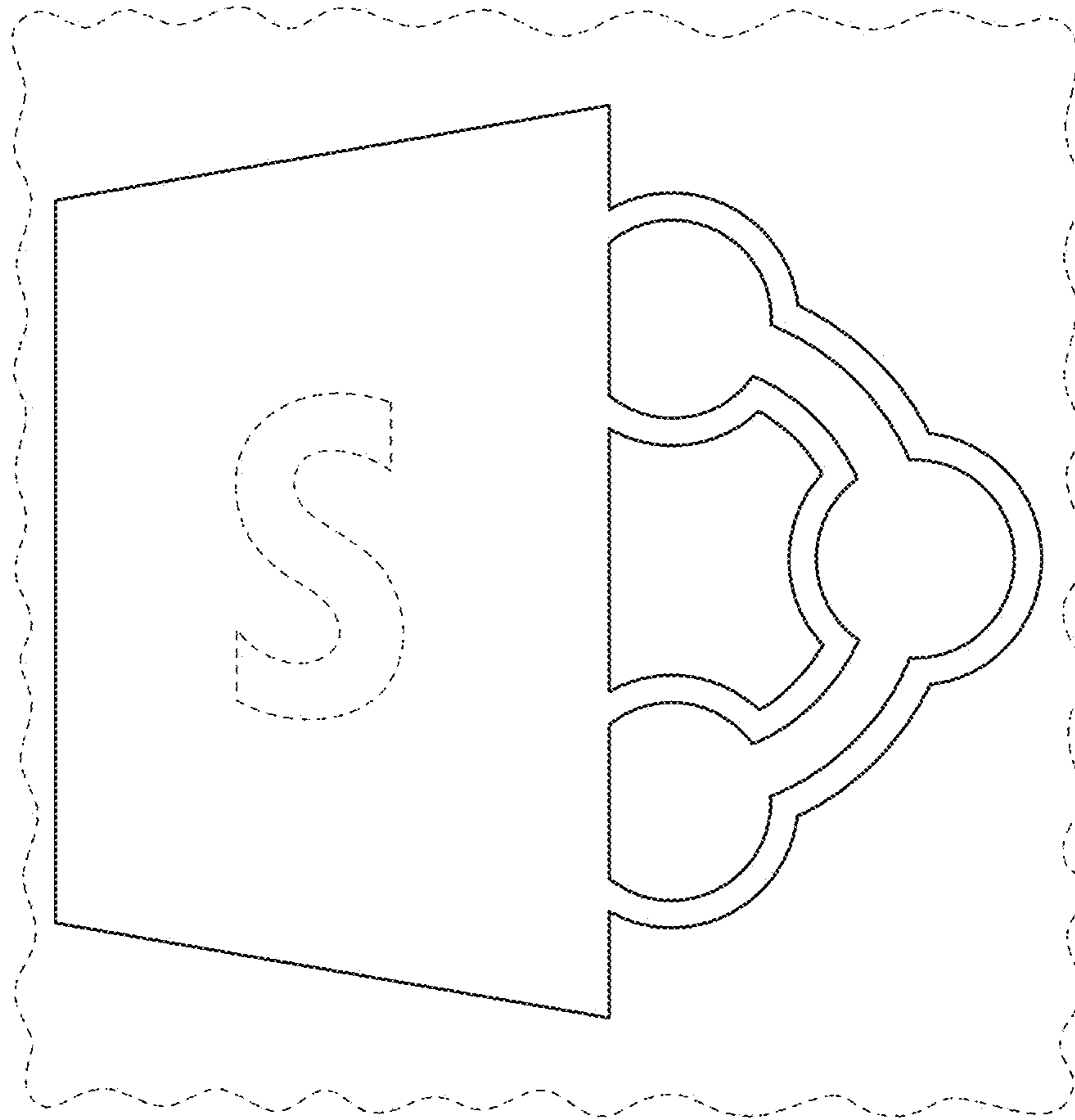


FIGURE 1

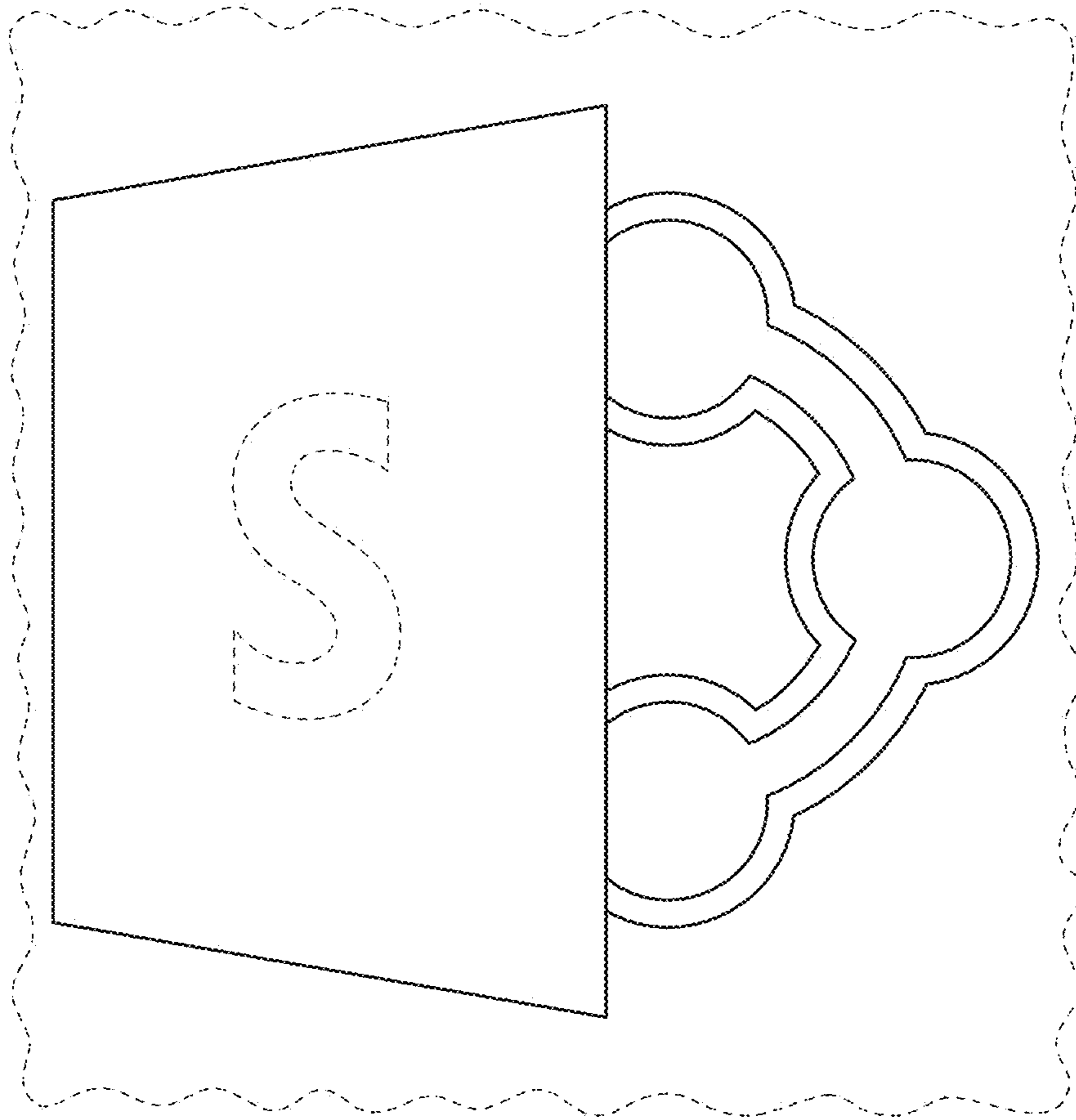


FIGURE 2