



US00D710861S

(12) **United States Design Patent**
Yagi

(10) **Patent No.:** **US D710,861 S**
(45) **Date of Patent:** **** Aug. 12, 2014**

(54) **CRADLE FOR TABLET COMPUTER**

(71) Applicant: **Panasonic Corporation**, Kadoma (JP)

(72) Inventor: **Ryoichi Yagi**, Osaka (JP)

(73) Assignee: **Panasonic Corporation**, Osaka (JP)

(**) Term: **14 Years**

(21) Appl. No.: **29/482,287**

(22) Filed: **Feb. 17, 2014**

(30) **Foreign Application Priority Data**

Aug. 29, 2013 (JP) 2013-019858

(51) **LOC (10) Cl.** **08-03**

(52) **U.S. Cl.**
USPC **D14/447**

(58) **Field of Classification Search**
USPC D14/447, 432, 433, 434, 439, 440, 451,
D14/452, 457, 459, 460, 461, 251, 253, 448,
D14/449, 450; D9/433, 455, 457; D20/10,
D20/25; D6/672, 674, 674.1, 678, 682,
D6/682.3; 40/124.05, 124.06, 124.07,
40/124.08, 124.09, 124.14, 124.16, 539;
248/917-924, 445, 447.1, 451, 456,
248/459, 460, 150, 152, 174, 188.6, 176.1;
361/679.02, 679.09, 679.21, 679.26,
361/679.3, 679.27, 679.55, 679.56

See application file for complete search history.

(56) **References Cited**

U.S. PATENT DOCUMENTS

D477,604 S 7/2003 Lin
D590,404 S * 4/2009 Kim et al. D14/447
D647,881 S * 11/2011 Warner D14/217

D648,727 S * 11/2011 Van Den Nieuwenhuizen
et al. D14/447
D649,153 S * 11/2011 Symons D14/447
D652,043 S * 1/2012 Lee D14/447
D676,450 S * 2/2013 Lye D14/447
D677,261 S * 3/2013 Hsu et al. D14/447
D683,141 S * 5/2013 Symons D6/310
D685,322 S * 7/2013 Szymanski et al. D13/108
D685,381 S * 7/2013 Symons D14/447
D688,670 S * 8/2013 Huang D14/447
D702,243 S * 4/2014 Oh et al. D14/447
D703,676 S * 4/2014 Smith et al. D14/447

FOREIGN PATENT DOCUMENTS

JP D1443572 S 6/2012

* cited by examiner

Primary Examiner — Angela J Lee

(74) *Attorney, Agent, or Firm* — Brinks Gilson & Lione

(57) **CLAIM**

I claim the ornamental design for a cradle for tablet computer, as shown and described.

DESCRIPTION

FIG. 1 is a front perspective view of a cradle for tablet computer of the present invention;
FIG. 2 is a front view thereof;
FIG. 3 is a rear view thereof;
FIG. 4 is a first side view thereof;
FIG. 5 is a second side view thereof;
FIG. 6 is a top view thereof;
FIG. 7 is a bottom view thereof; and,
FIG. 8 is a cross-section view taken along the line 8-8 of FIG. 2.

The broken lines shown represent unclaimed subject matter and form no part of the claimed design.

1 Claim, 8 Drawing Sheets

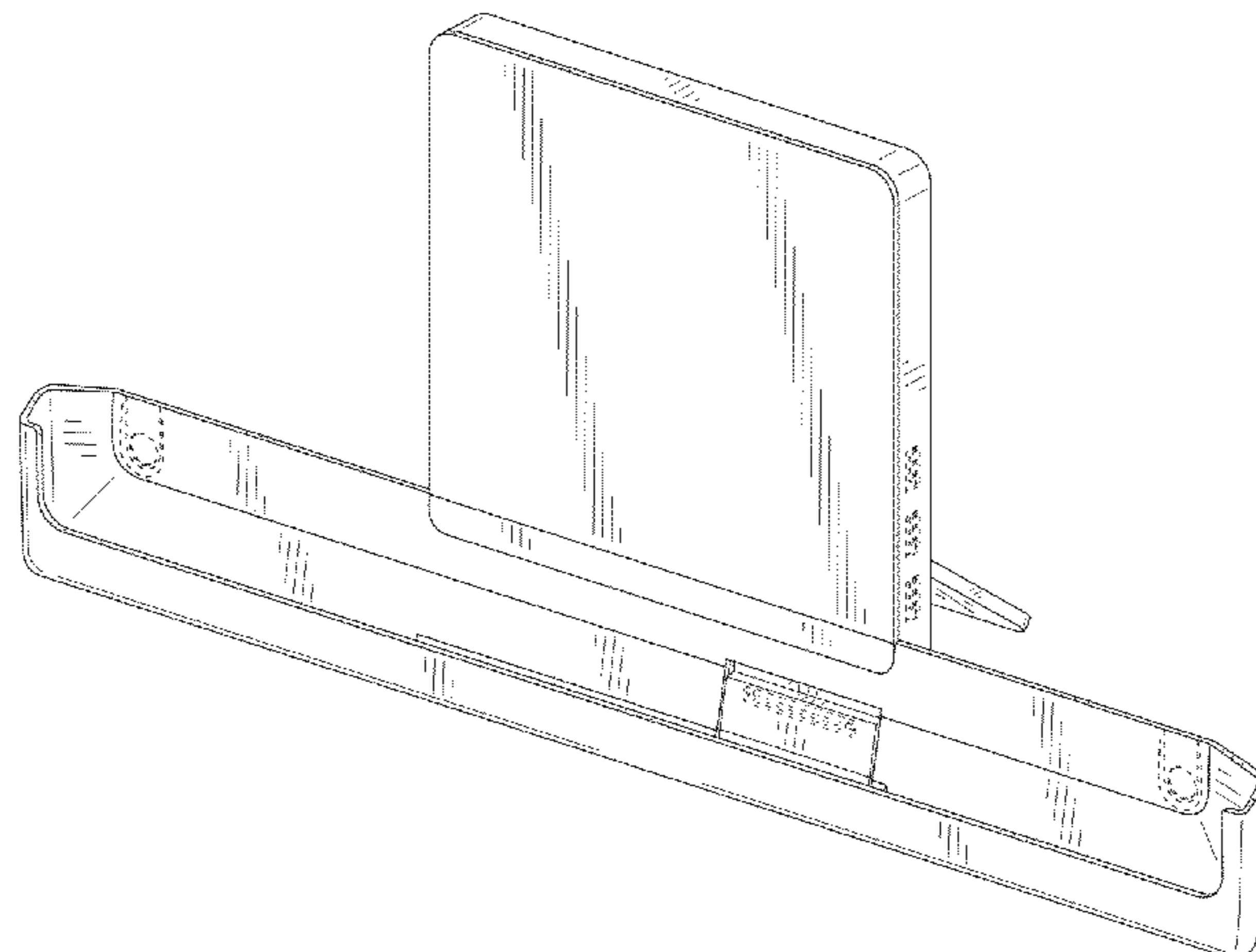


FIG. 1

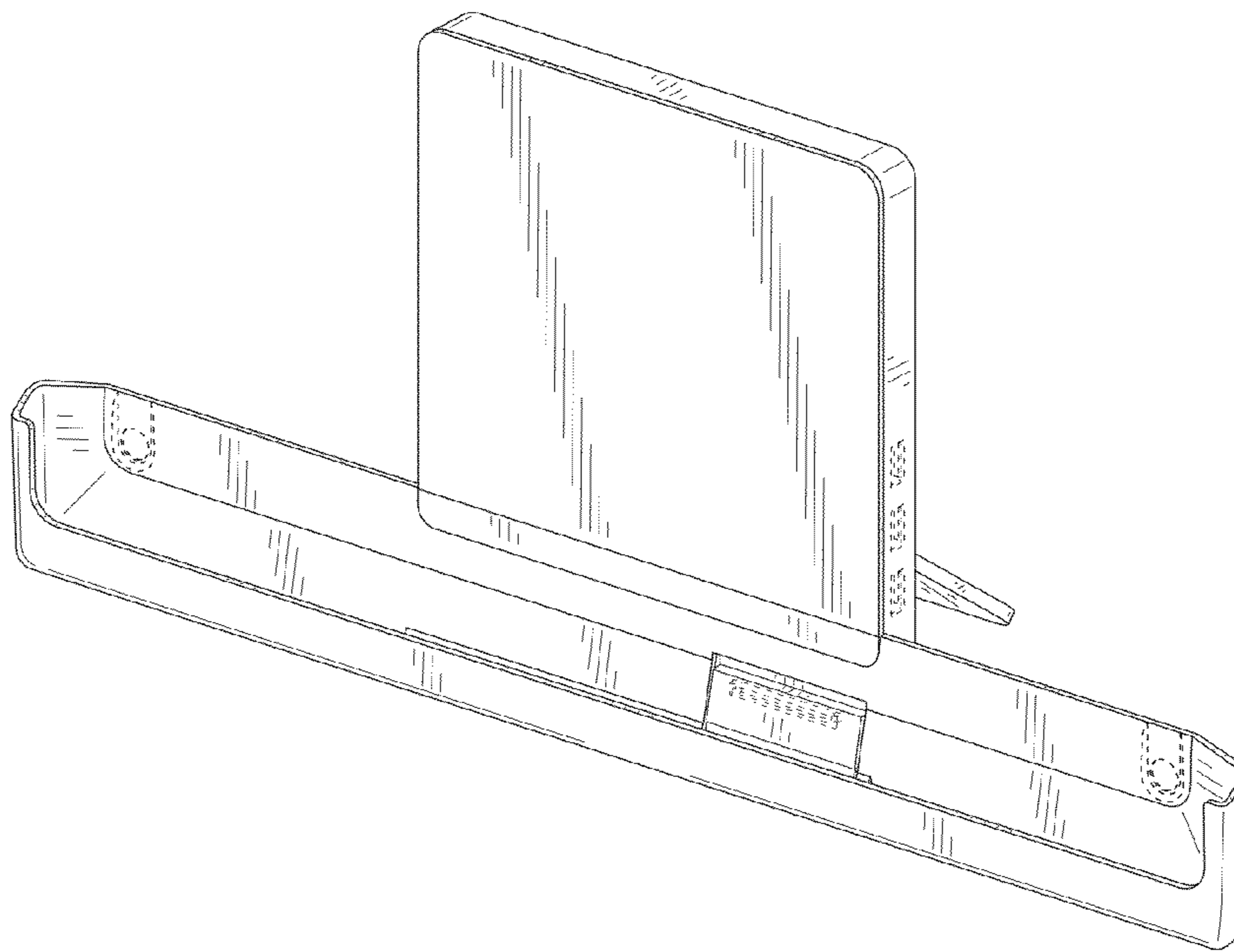


FIG.2

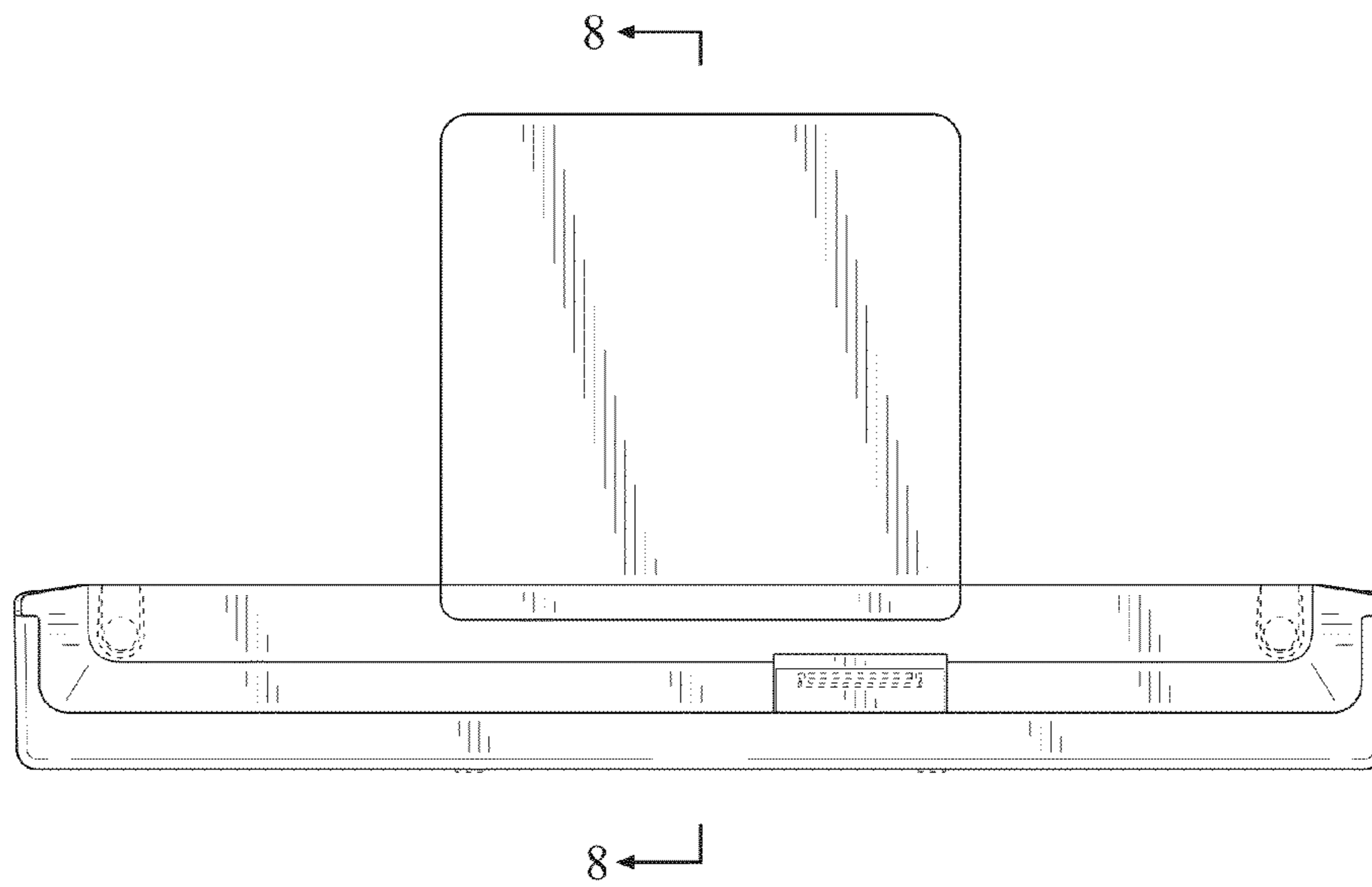


FIG.3

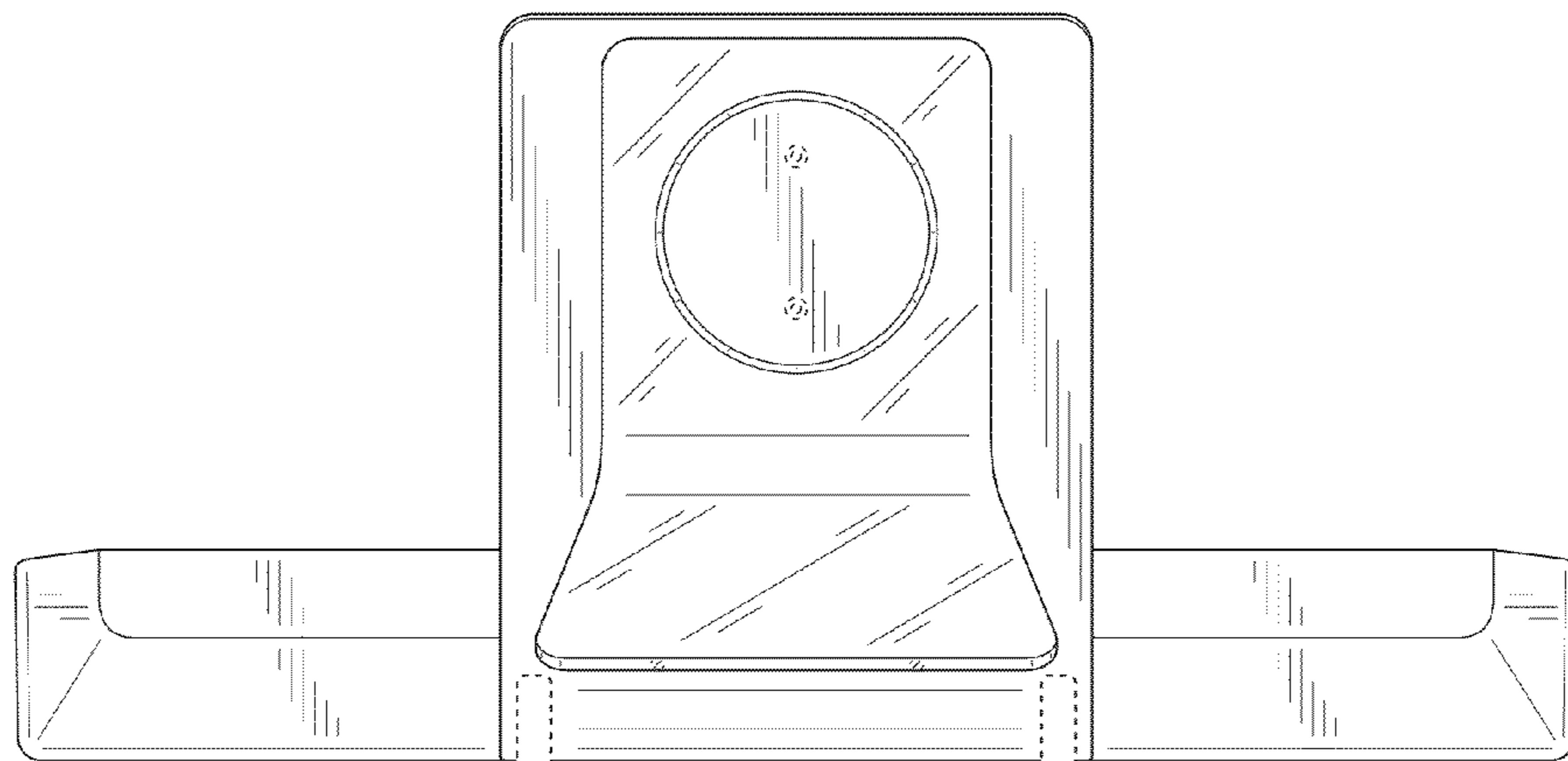


FIG.4

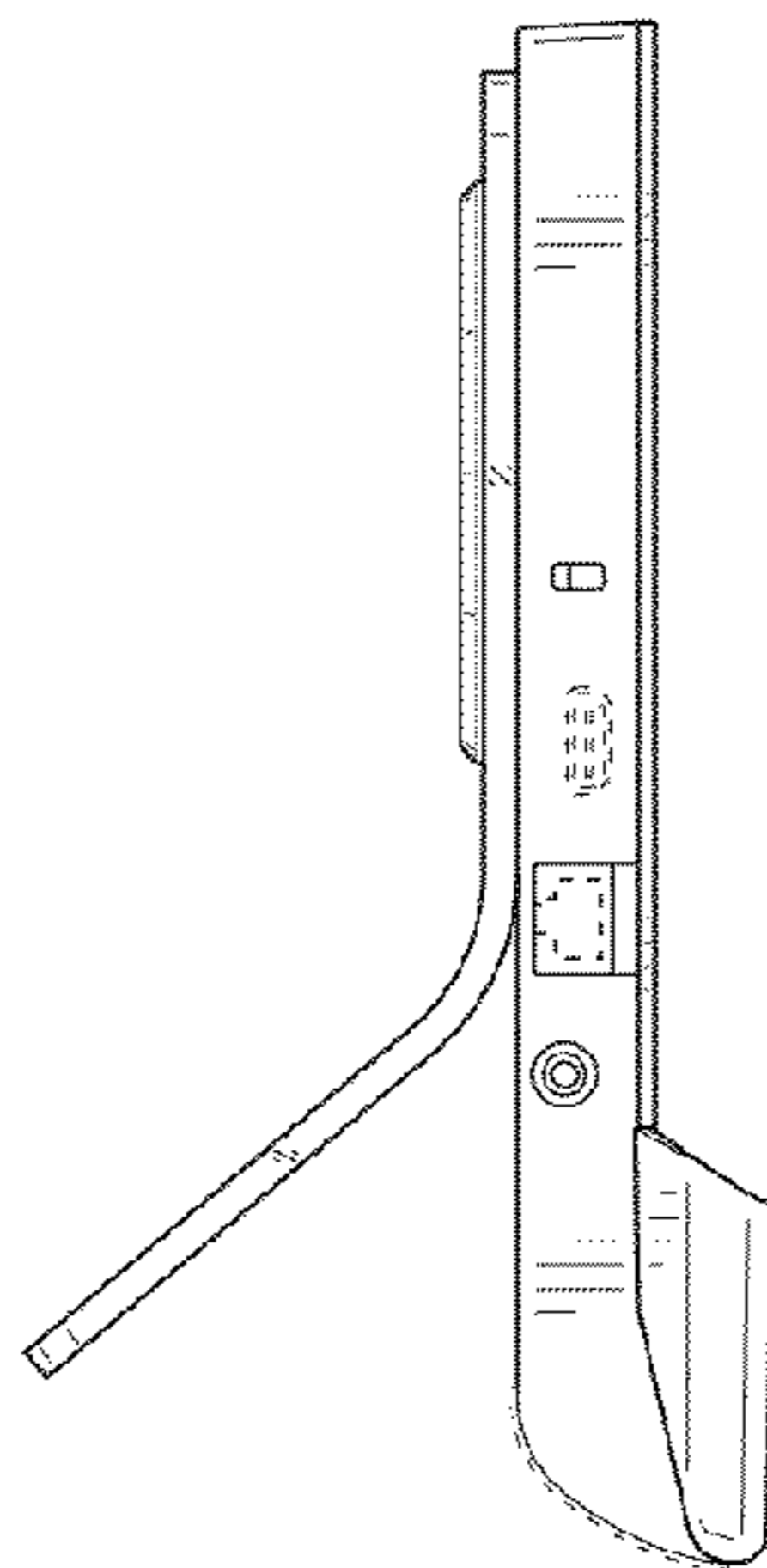


FIG.5

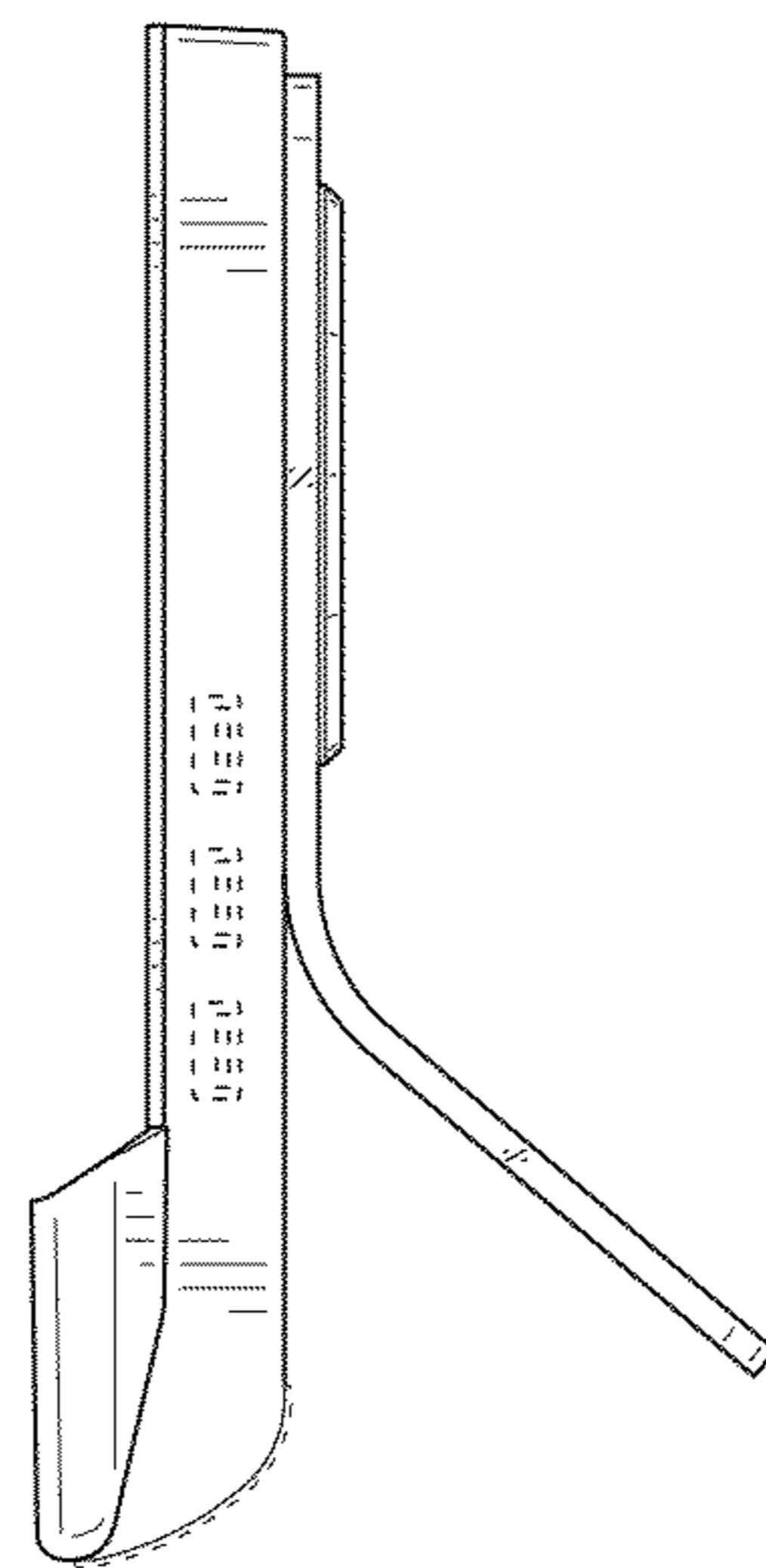


FIG.6

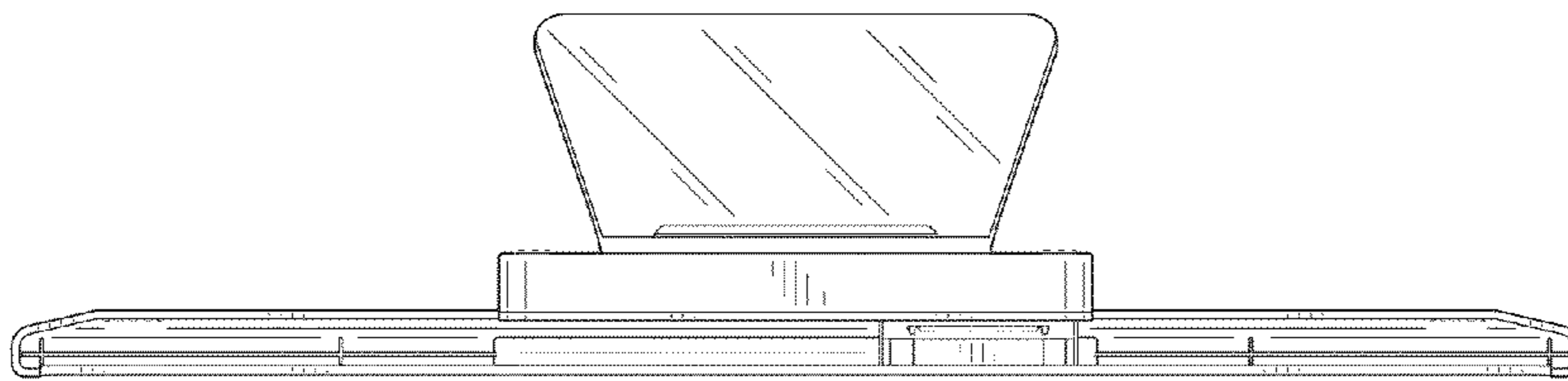


FIG.7

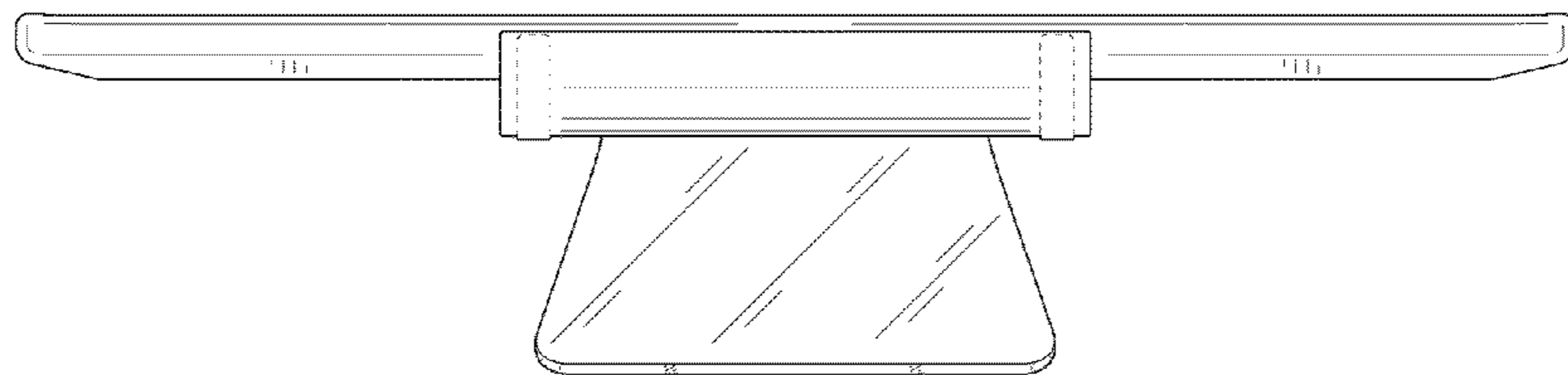


FIG.8

