



US00D710860S

(12) **United States Design Patent**
Johnson et al.

(10) **Patent No.:** **US D710,860 S**

(45) **Date of Patent:** **** Aug. 12, 2014**

- (54) **COMPUTING DEVICE HOLDER**
- (71) Applicant: **Toshiba Global Commerce Solutions Holdings Corporation**, Tokyo (JP)
- (72) Inventors: **Brad M. Johnson**, Raleigh, NC (US);
Robert A. Myers, Cary, NC (US);
William L. Talley, Wake Forest, NC (US); **Seth T. Teeples**, Raleigh, NC (US)
- (73) Assignee: **Toshiba Global Commerce Solutions Holdings Corporation**, Tokyo (JP)
- (**) Term: **14 Years**
- (21) Appl. No.: **29/469,466**
- (22) Filed: **Oct. 10, 2013**
- (51) **LOC (10) Cl.** **08-07**
- (52) **U.S. Cl.**
USPC **D14/447**
- (58) **Field of Classification Search**
CPC A47B 21/04; A47B 23/043; A47B 2021/0314; A47B 2021/0307; A47B 2023/049; F16M 13/00; A45C 2011/002; A45C 2011/003; A45C 2013/025
USPC D14/447, 432, 434, 439, 440, 451, 452, D14/457, 460, 461, 238.1, 250, 251, 253; D3/218; D6/406.3, 406.4, 406.5, D6/406.6; 248/444, 441.1, 188.6, 248/917-924; 361/679.02, 679.03, 679.04, 361/679.09, 679.21, 679.26, 679.27, 679.3, 361/679.55, 679.56
See application file for complete search history.

D678,886 S *	3/2013	Heckler	D14/447
D683,348 S *	5/2013	Xiang et al.	D14/447
D686,595 S	7/2013	Andre et al.	
D689,057 S	9/2013	Waterman	
D689,058 S *	9/2013	Waterman	D14/447
D689,501 S *	9/2013	Fong	D14/447
D690,709 S *	10/2013	Clementi	D14/447
D691,144 S *	10/2013	Peters et al.	D14/440
D691,146 S *	10/2013	Perez	D14/440
D692,008 S *	10/2013	Feldstein et al.	D14/447
D696,670 S *	12/2013	Schiller et al.	D14/440
D698,791 S *	2/2014	Woodman et al.	D14/434
2007/0171239 A1	7/2007	Hunt et al.	
2012/0068832 A1 *	3/2012	Feldstein et al.	340/12.5
2013/0202269 A1	8/2013	Rossiter et al.	
2013/0229772 A1	9/2013	Thomas	

* cited by examiner

Primary Examiner — Angela J Lee

(74) *Attorney, Agent, or Firm* — Olive Law Group, PLLC

(57) **CLAIM**

We claim the ornamental design for the computing device holder, as shown and described.

DESCRIPTION

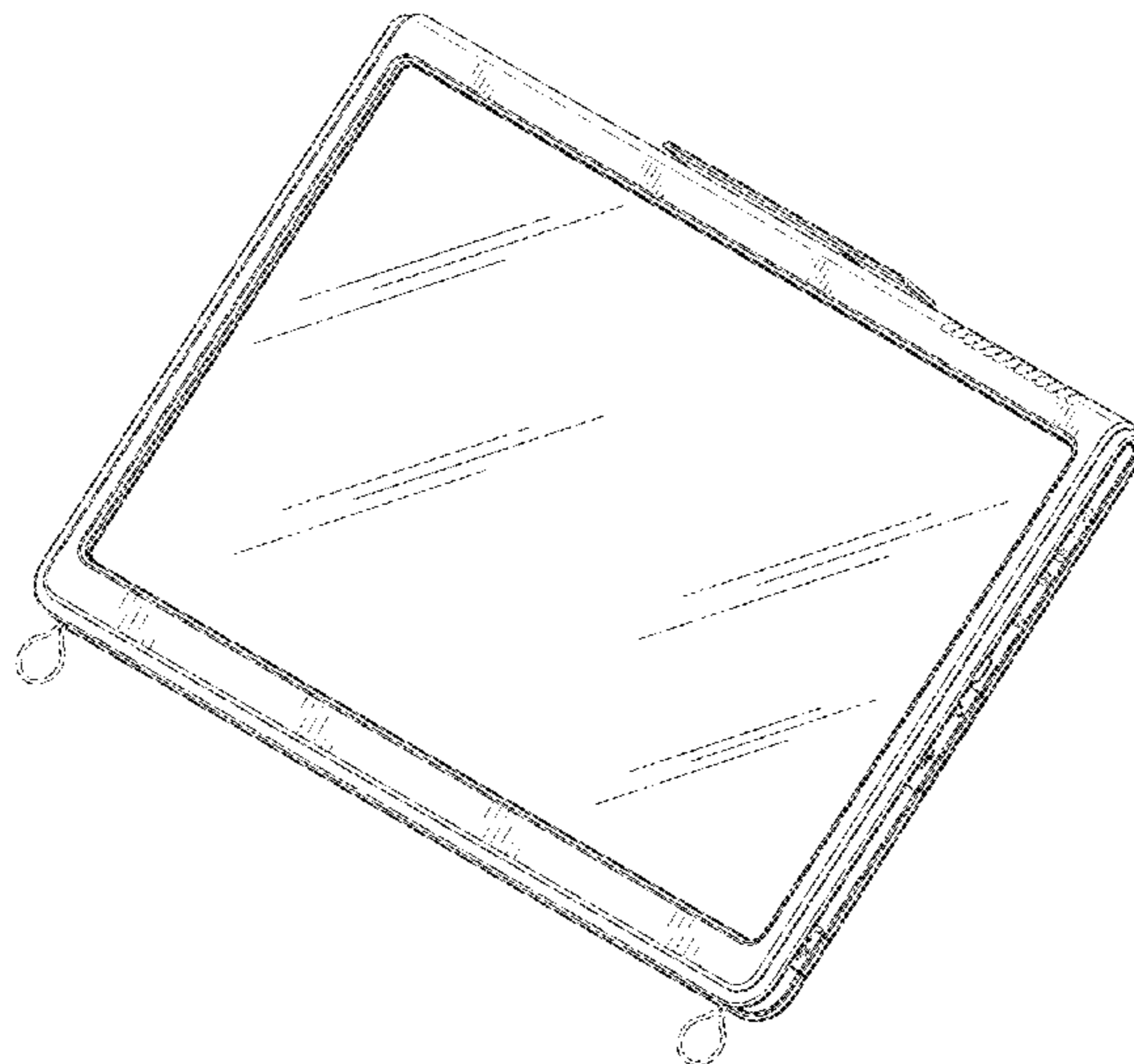
The present application is related to U.S. Design patent applications titled “Computing Device Dock” and “Computing Device Holder and Dock,” each filed simultaneously herewith.

FIG. 1 is a perspective view of the computing device holder according to the invention;
FIG. 2 is a front view thereof;
FIG. 3 is a back view thereof;
FIG. 4 is a side view thereof;
FIG. 5 is a side view thereof;
FIG. 6 is a top view thereof; and,
FIG. 7 is a bottom view thereof.

The broken lines shown in the drawings represent portions of the computing device holder that form no part of the claimed design.

1 Claim, 5 Drawing Sheets

- (56) **References Cited**
U.S. PATENT DOCUMENTS
D650,783 S 12/2011 Ausfeld et al.
D673,567 S 1/2013 Yang
D676,449 S * 2/2013 Probst et al. D14/440



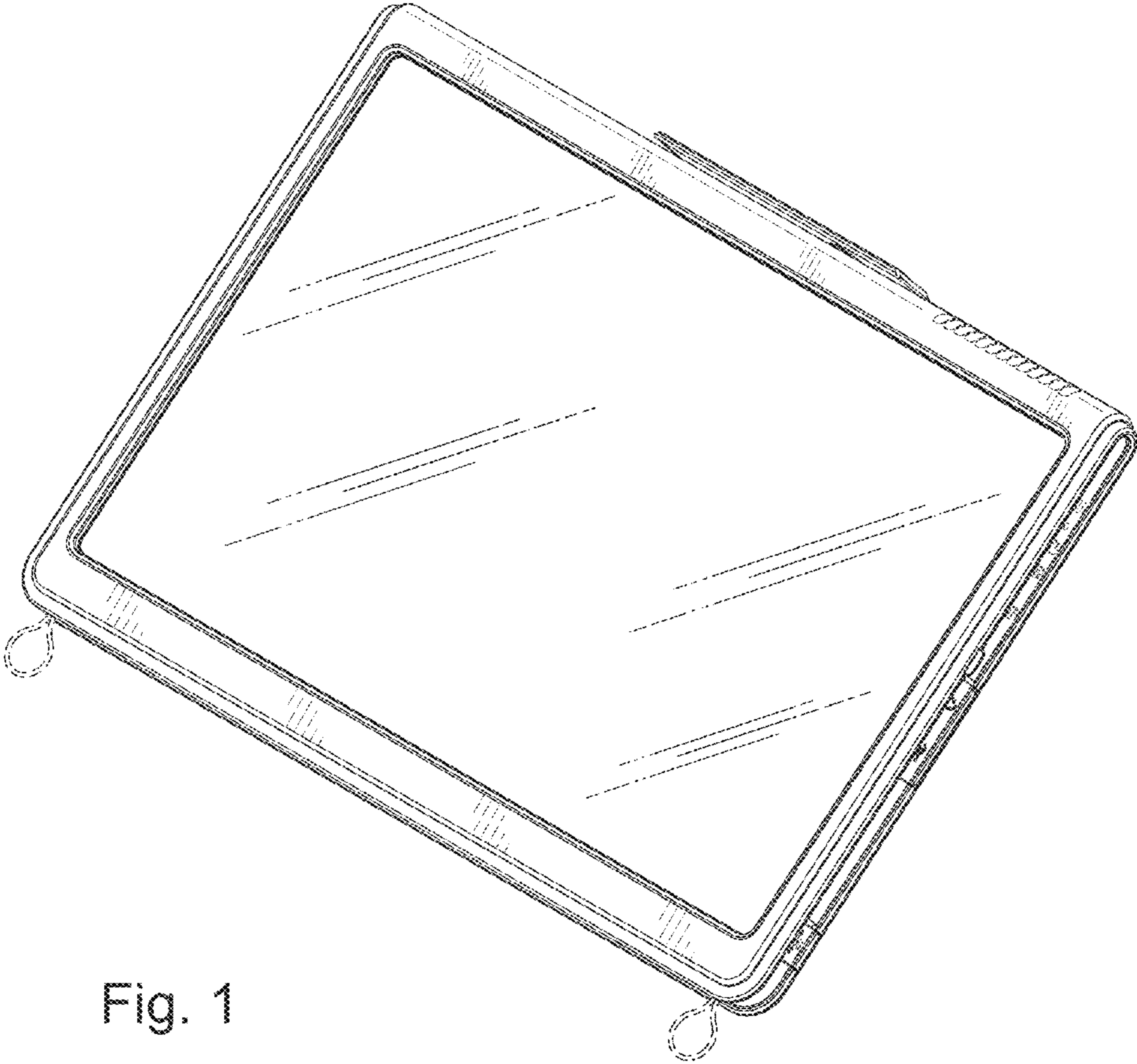


Fig. 1

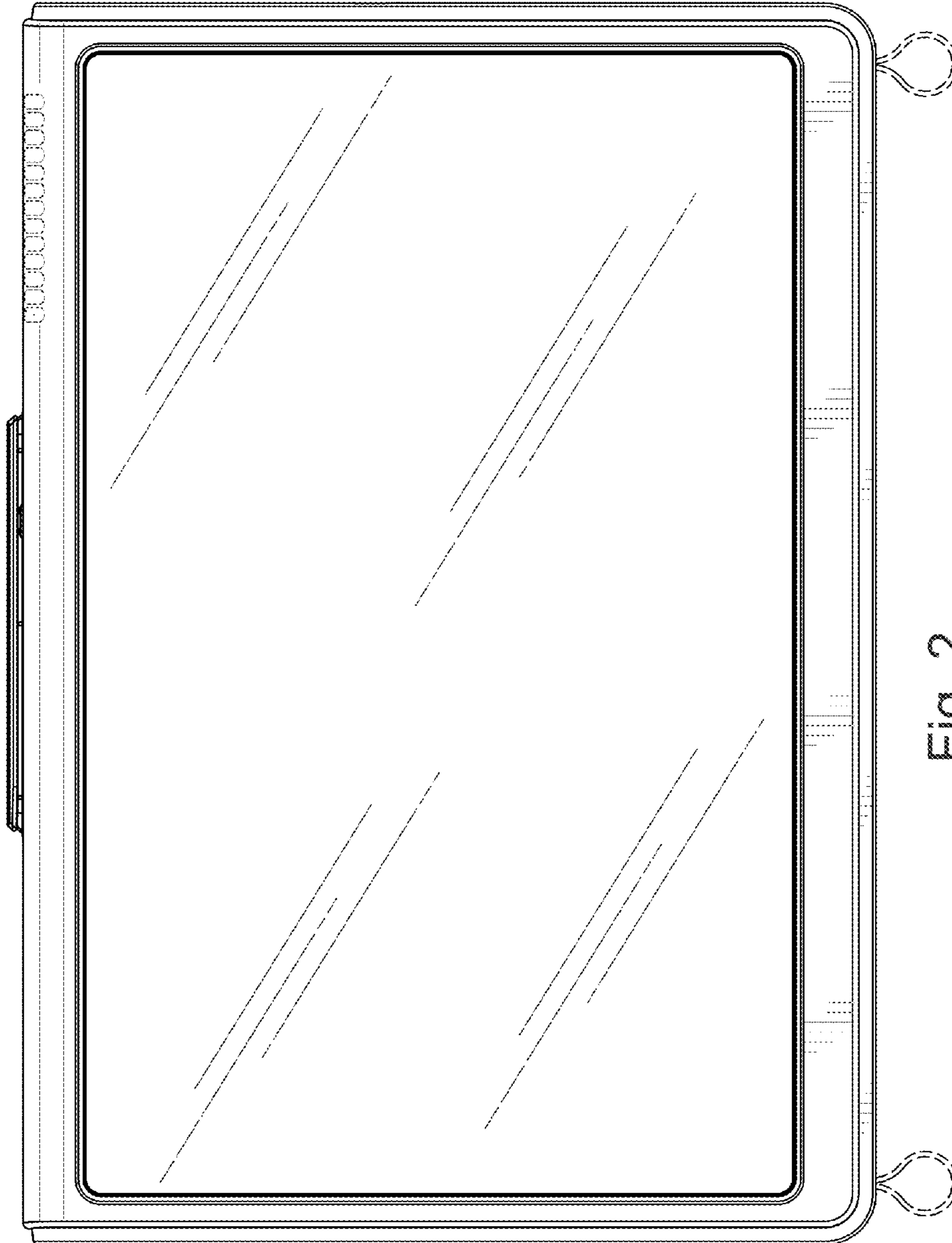


Fig. 2

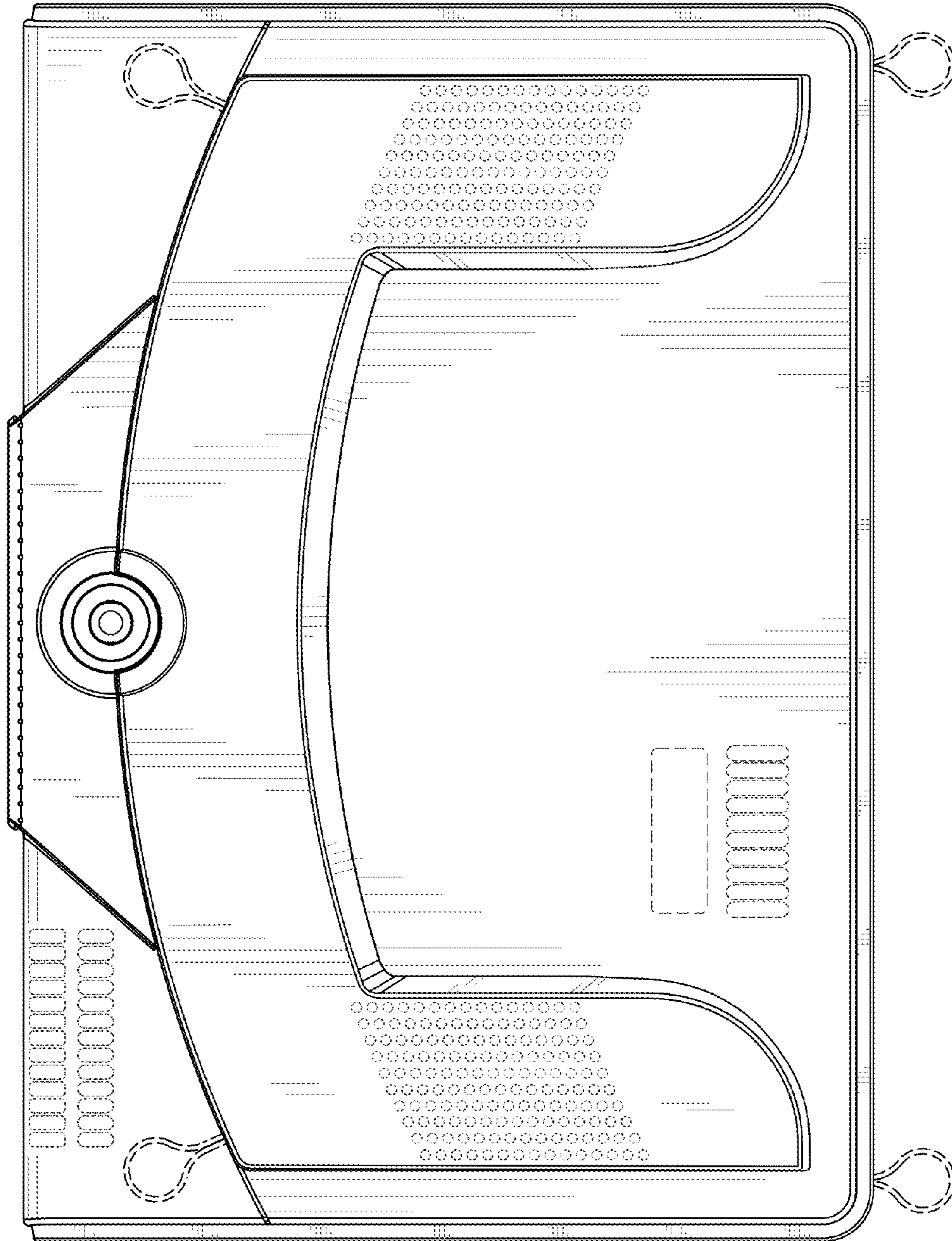


Fig. 3

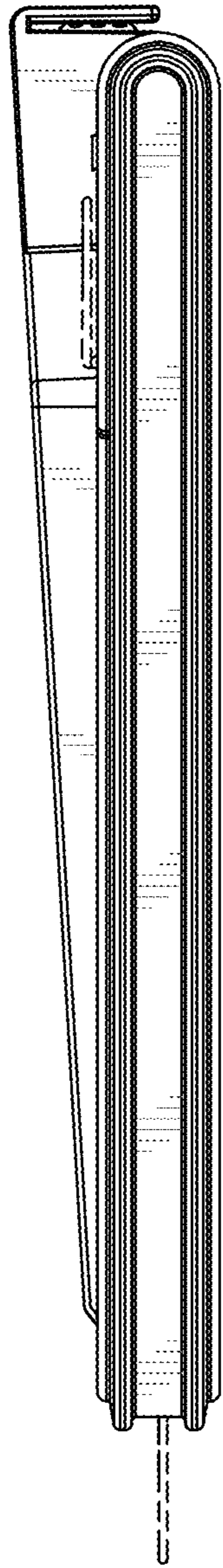


Fig. 4

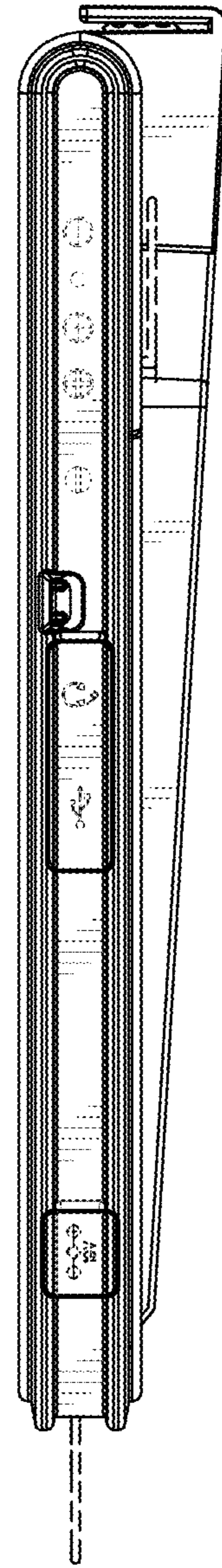


Fig. 5

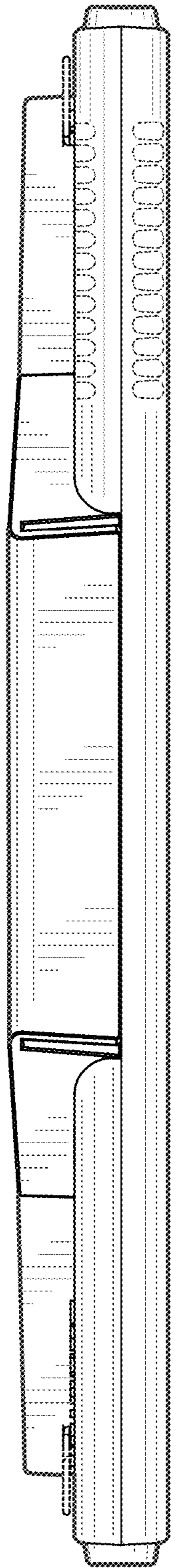


Fig. 6

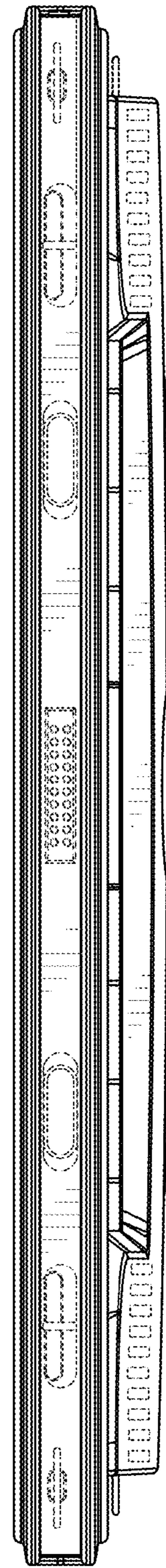


Fig. 7