



US00D710858S

(12) **United States Design Patent**  
**Mecchella et al.**

(10) **Patent No.:** **US D710,858 S**  
(45) **Date of Patent:** **\*\* Aug. 12, 2014**

(54) **ELECTRONIC DEVICE CASE**  
(75) Inventors: **Monica Liane Mecchella**, San Francisco, CA (US); **Timothy Wall**, San Francisco, CA (US); **Matthew Seflic**, San Francisco, CA (US); **Christopher Green**, San Francisco, CA (US)

D646,266 S 10/2011 Kim et al.  
D652,831 S 1/2012 Lee et al.  
D657,354 S 4/2012 Kim  
D659,139 S 5/2012 Gengler

(Continued)

**OTHER PUBLICATIONS**

The Japanese Office Action mailed May 25, 2012 for Japanese design application No. 2011-23924, a counterpart foreign application of U.S. Appl. No. 29/402,809, 5 pages.

The Japanese Office Action mailed May 25, 2012 for Japanese design application No. 2011-23922, a counterpart foreign application of U.S. Appl. No. 29/402,804, 5 pages.

(Continued)

*Primary Examiner* — Cynthia Underwood

(74) *Attorney, Agent, or Firm* — Lee & Hayes, PLLC

(73) Assignee: **Amazon Technologies, Inc.**, Reno, NV (US)

(\*\*) Term: **14 Years**

(21) Appl. No.: **29/430,012**

(22) Filed: **Aug. 20, 2012**

(51) **LOC (10) Cl.** ..... **14-02**

(52) **U.S. Cl.**  
USPC ..... **D14/440**

(58) **Field of Classification Search**  
USPC ..... D14/250, 251, 253, 240, 217, 496, 440,  
D14/203.3, 203.4, 203.5, 203.8, 341, 318;  
D3/218, 215, 201, 294, 289, 900;  
220/4.02; 248/309.1; 361/679.56;  
379/426, 433.11, 455; 455/575.1,  
455/575.8; 190/100; 206/305, 320;  
D21/469

See application file for complete search history.

(57) **CLAIM**

The ornamental design for an electronic device case, as shown and described.

**DESCRIPTION**

FIG. 1 is a perspective view of an electronic device case; FIG. 2 is another perspective view of the electronic device case of FIG. 1; FIG. 3 is a top plan view of the electronic device case of FIG. 1; FIG. 4 is a bottom plan view of the electronic device case of FIG. 1; FIG. 5 is a back elevation view of the electronic device case of FIG. 1; FIG. 6 is a front elevation view of the electronic device case of FIG. 1; FIG. 7 is a left-side elevation view of the electronic device case of FIG. 1; and, FIG. 8 is a right-side elevation view of the electronic device case of FIG. 1.

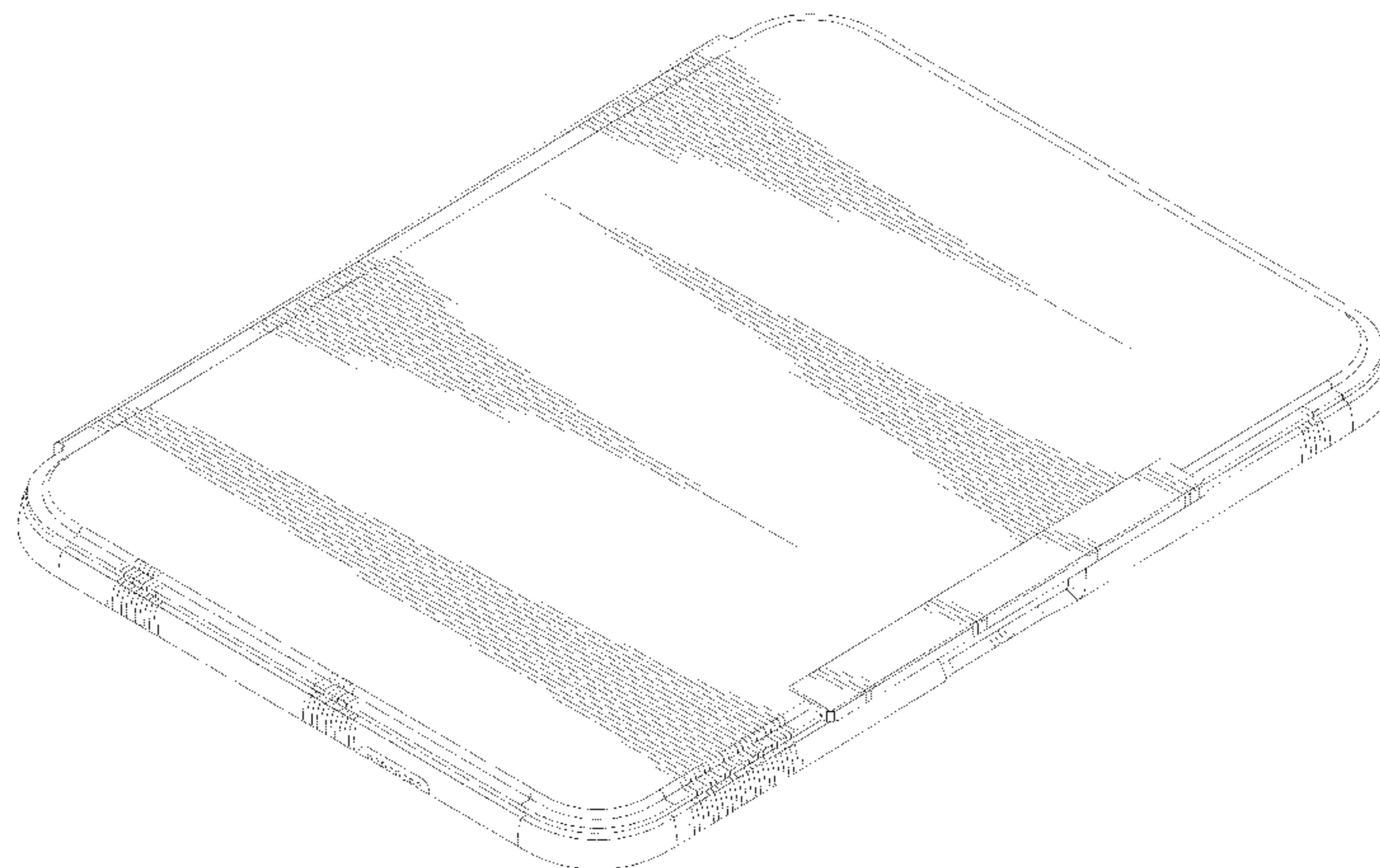
The broken lines are directed to unclaimed portions and form no part of the claimed design.

**1 Claim, 6 Drawing Sheets**

(56) **References Cited**

**U.S. PATENT DOCUMENTS**

2,354,782 A	8/1944	Stradling
4,259,568 A	3/1981	Dynesen
4,703,160 A	10/1987	Narishima et al.
4,718,550 A	1/1988	Johnson
D306,583 S	3/1990	Krolopp et al.
5,375,076 A	12/1994	Goodrich et al.
D435,550 S	12/2000	Chu et al.
D546,878 S	7/2007	Bharma
7,318,521 B2	1/2008	Lau
D579,975 S	11/2008	Brown
7,542,052 B2	6/2009	Solomon et al.
D600,699 S	9/2009	Johnston et al.
D641,348 S	7/2011	Kim et al.



(56)

References Cited

U.S. PATENT DOCUMENTS

8,230,992	B2	7/2012	Law et al.	
8,235,208	B2	8/2012	Sirichai et al.	
D670,293	S *	11/2012	Shimizu et al. ....	D14/440
D675,211	S *	1/2013	Rouser .....	D14/440
D685,799	S *	7/2013	Canizares et al. ....	D14/440
D685,800	S *	7/2013	Canizares et al. ....	D14/440
D685,801	S *	7/2013	Canizares et al. ....	D14/440
D685,802	S *	7/2013	Canizares et al. ....	D14/440
D696,670	S *	12/2013	Schiller et al. ....	D14/440
2001/0040561	A1	11/2001	Weinzierl et al.	
2004/0202858	A1	10/2004	Lee	
2009/0017883	A1	1/2009	Lin	
2010/0294909	A1	11/2010	Hauser et al.	
2010/0300909	A1	12/2010	Hung	
2012/0043231	A1	2/2012	Perrier et al.	
2012/0194448	A1	8/2012	Rothkopf	

OTHER PUBLICATIONS

The Japanese Office Action mailed May 25, 2012 for Japanese design application No. 2011-23923, a counterpart foreign application of U.S. Appl. No. 29/402,806, 5 pages.

The Japanese Office Action mailed May 25, 2012 for Japanese design application No. 2011-23921, a counterpart foreign application of U.S. Appl. No. 29/402,800, 5 pages.

Office action for U.S. Appl. No. 29/402,806, mailed on Sep. 12, 2012, Loor Canizares et al., "Electronic Device Cover", 8 pages.

Office action for U.S. Appl. No. 29/402,809, mailed on Sep. 12, 2012, Loor Canizares et al., "Lighted Electronic Device Cover", 8 pages.

Office action for U.S. Appl. No. 29/402,804, mailed on Sep. 14, 2012, Loor Canizares et al., "Lighted Electronic Device Cover", 8 pages.

Office action for U.S. Appl. No. 29/402,800, mailed on Sep. 19, 2012, Loor Canizares et al., "Electronic Device Cover", 8 pages.

\* cited by examiner

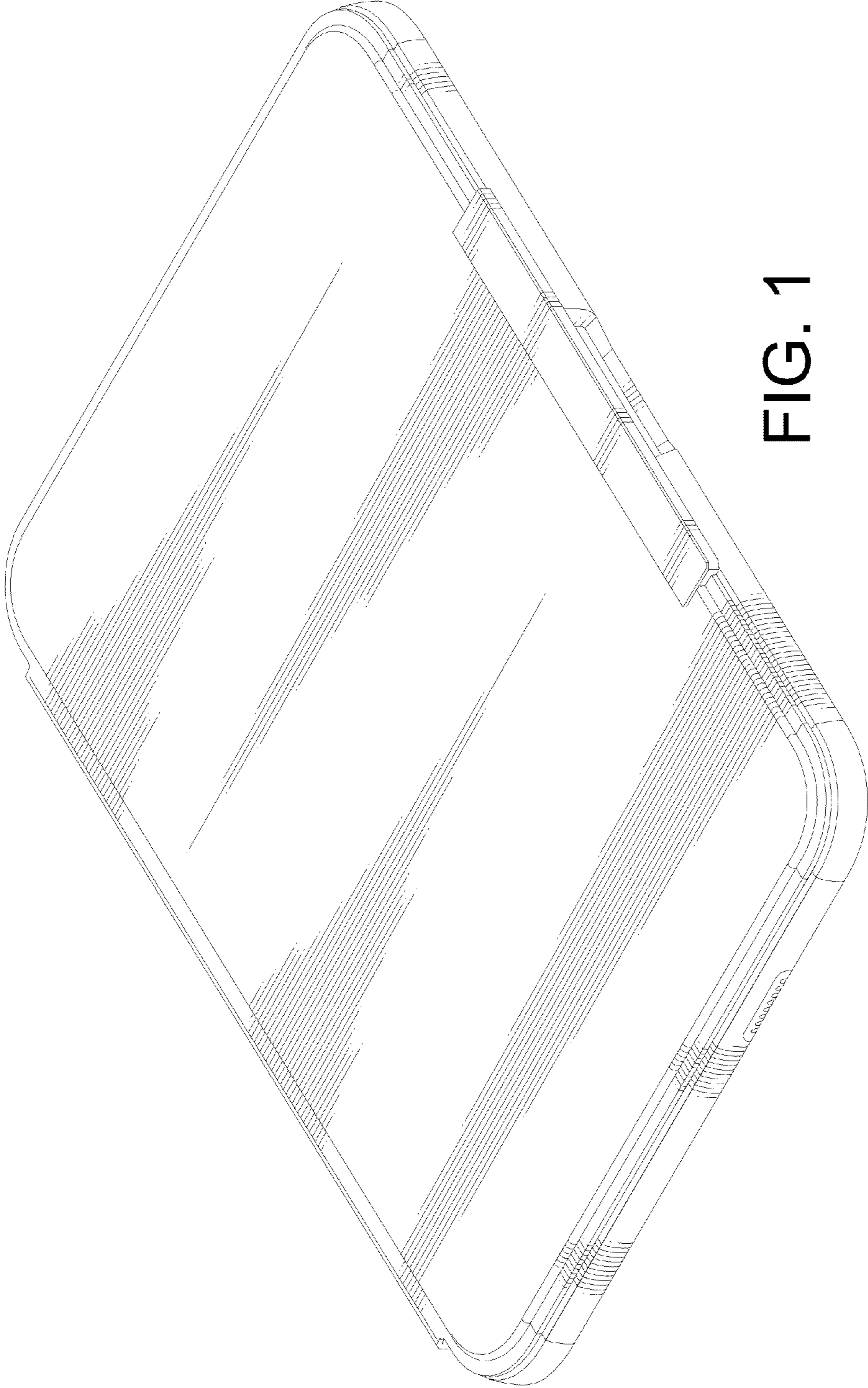


FIG. 1

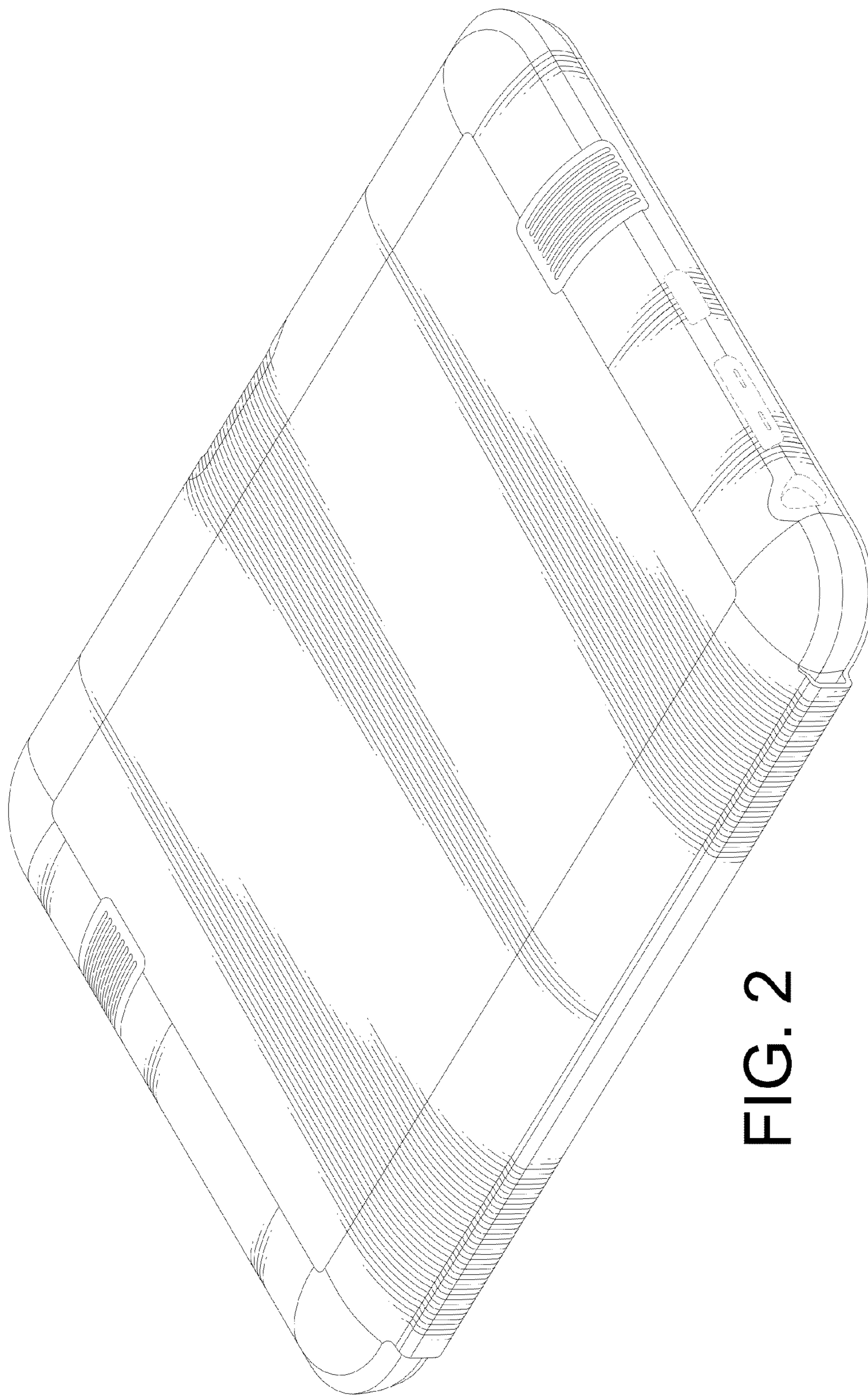


FIG. 2



FIG. 3

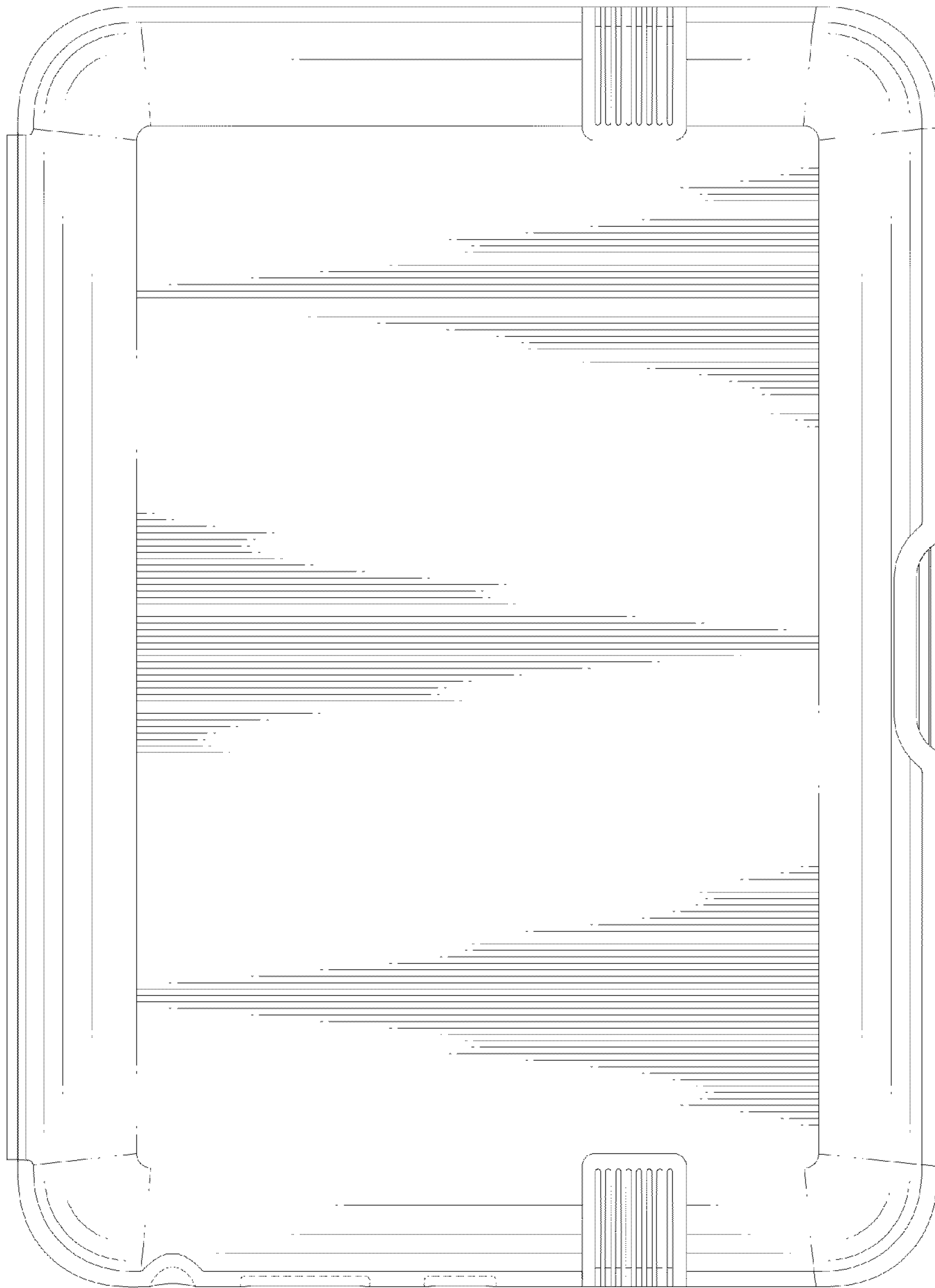


FIG. 4

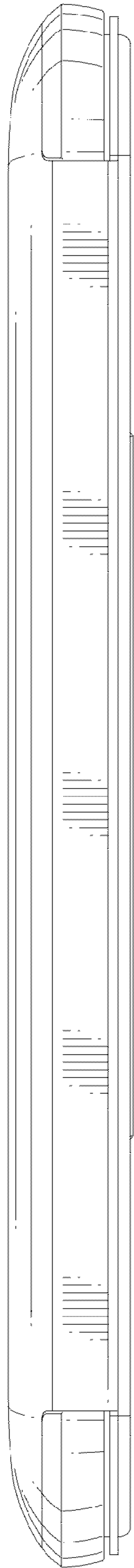


FIG. 5

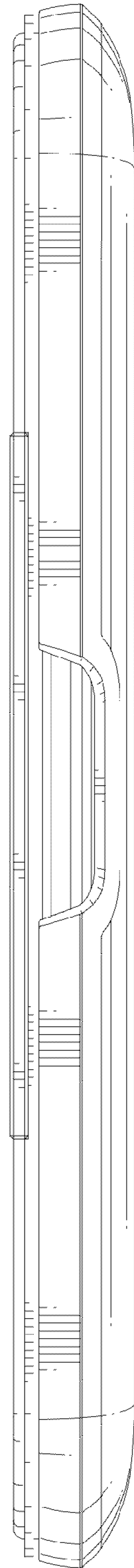


FIG. 6

FIG. 8

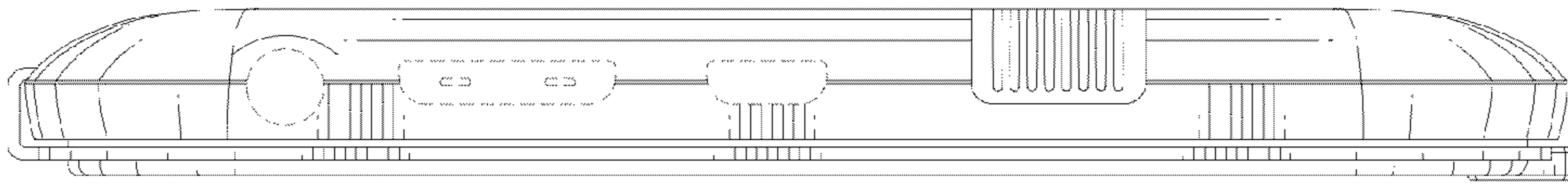


FIG. 7

