



US00D710855S

(12) **United States Design Patent**  
**Akana et al.**

(10) **Patent No.:** **US D710,855 S**

(45) **Date of Patent:** **\*\* \*Aug. 12, 2014**

(54) **HOUSING FOR AN ELECTRONIC DEVICE**

(71) Applicant: **Apple Inc.**, Cupertino, CA (US)

(72) Inventors: **Jody Akana**, San Francisco, CA (US); **Bartley K. Andre**, Menlo Park, CA (US); **Jeremy Bataillou**, San Francisco, CA (US); **Sean Stewart Corbin**, San Jose, CA (US); **Daniel J. Coster**, San Francisco, CA (US); **Daniele De Iuliis**, San Francisco, CA (US); **Jeremy Contini Franklin**, San Francisco, CA (US); **Kevin David Gibbs**, Menlo Park, CA (US); **M. Evans Hankey**, San Francisco, CA (US); **Julian Hoenig**, San Francisco, CA (US); **Richard P. Howarth**, San Francisco, CA (US); **Jonathan P. Ive**, San Francisco, CA (US); **Duncan Robert Kerr**, San Francisco, CA (US); **Stephen McClure**, San Francisco, CA (US); **Shin Nishibori**, Kailua, HI (US); **Matthew Dean Rohrbach**, San Francisco, CA (US); **Peter Russell-Clarke**, San Francisco, CA (US); **Christopher J. Stringer**, Woodside, CA (US); **Eugen Anthony Whang**, San Francisco, CA (US); **Rico Zörkendörfer**, San Francisco, CA (US)

(73) Assignee: **Apple Inc.**, Cupertino, CA (US)

(\*) Notice: This patent is subject to a terminal disclaimer.

(\*\*) Term: **14 Years**

(21) Appl. No.: **29/438,868**

(22) Filed: **Dec. 4, 2012**

**Related U.S. Application Data**

(63) Continuation of application No. 29/385,793, filed on Feb. 18, 2011, now Pat. No. Des. 671,947.

(51) **LOC (10) Cl.** ..... **14-02**

(52) **U.S. Cl.**  
USPC ..... **D14/439**

(58) **Field of Classification Search**  
USPC ..... D14/341-347, 424, 425, 432-453, 464,

D14/468, 469, 471, 496, 511, 138 AA, D14/138 AD, 138 C, 138 G, 203.1-203.8, D14/217, 238.1, 248, 250, 257, 299; 361/679.01, 679.02, 679.03, 679.3, 361/679.55, 679.56; 455/550.1, 556.1, 455/556.2, 575.1, 575.3-575.5, 575.8, 90.3  
See application file for complete search history.

(56) **References Cited**

U.S. PATENT DOCUMENTS

D30,079 S 1/1899 Sametz  
(Continued)

FOREIGN PATENT DOCUMENTS

EM 001767435-0001 10/2010  
(Continued)

OTHER PUBLICATIONS

Arrington, M., TechCrunch, "We Want A Dead Simple Web Tablet For \$200. Help Us Build It." (<http://techcrunch.com/2008/07/21/we-want-a-dead-simple-web-tablet-help-us-build-it/>), published Jul. 21, 2008, 4 pages.

(Continued)

*Primary Examiner* — Deanna L Pratt

(74) *Attorney, Agent, or Firm* — Sterne, Kessler, Goldstein & Fox P.L.L.C.

(57) **CLAIM**

The ornamental design for a housing for an electronic device, as shown and described.

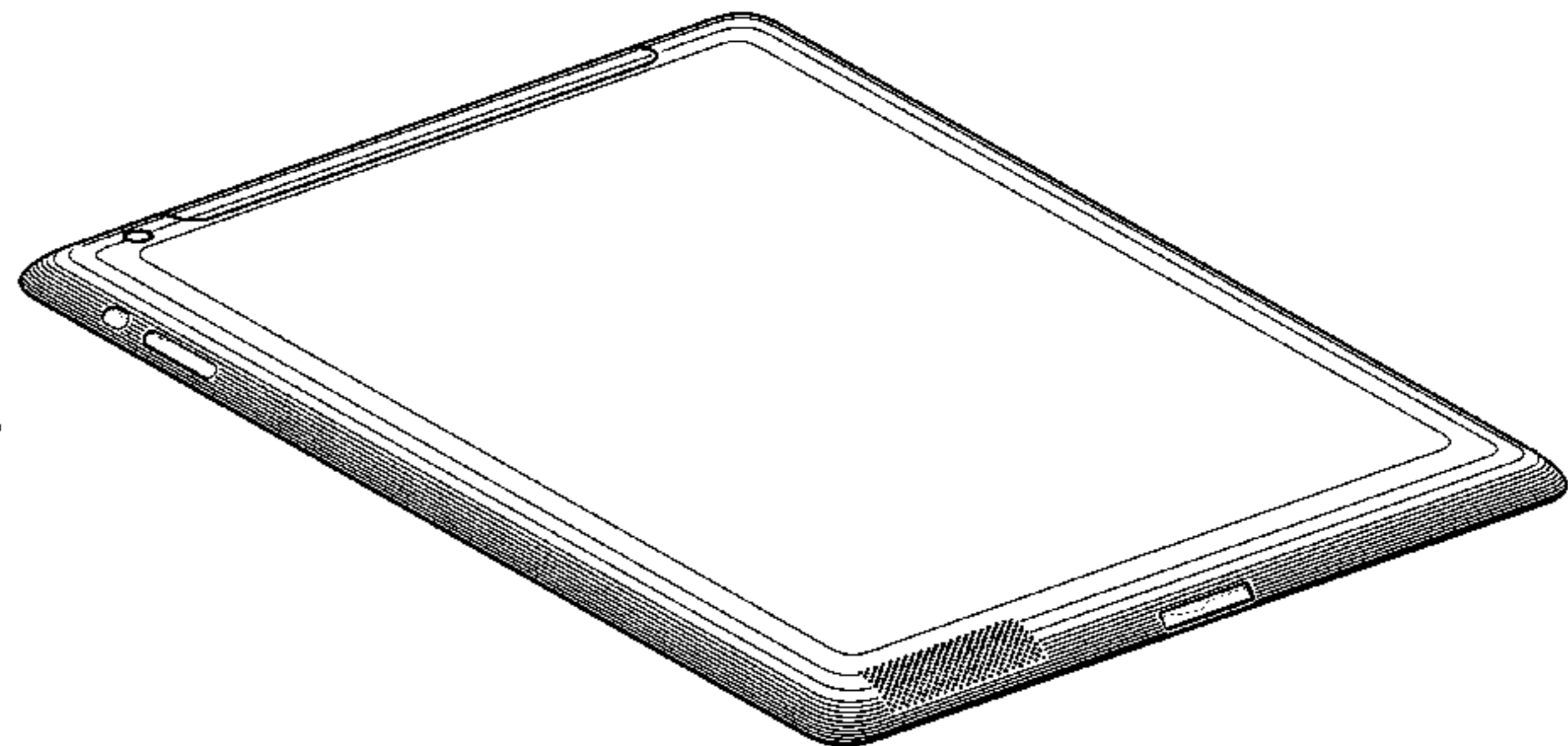
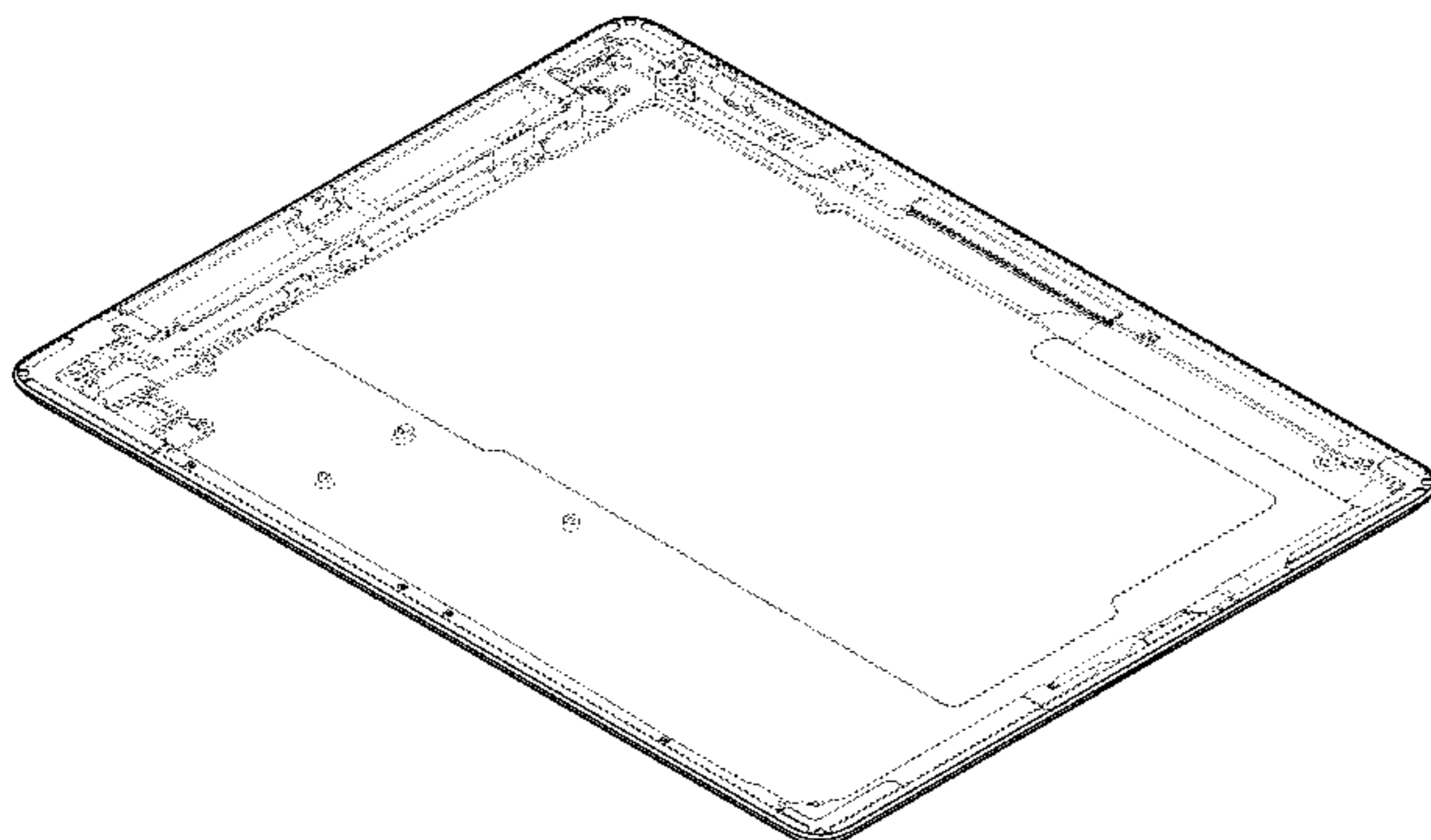
**DESCRIPTION**

FIG. 1 is a bottom front perspective view of a housing for an electronic device showing our new design; FIG. 2 is a bottom rear perspective view thereof; FIG. 3 is a front view thereof; FIG. 4 is a rear view thereof; FIG. 5 is a left side view thereof; FIG. 6 is a right side view thereof; FIG. 7 is a top view thereof; and, FIG. 8 is a bottom view thereof.

The shade lines in the Figures show contour and not surface ornamentation.

The broken lines in the Figures show portions of the housing for an electronic device which form no part of the claimed design.

**1 Claim, 6 Drawing Sheets**



(56)

References Cited

U.S. PATENT DOCUMENTS

2,968,176 A 12/1958 Collings  
D305,717 S 1/1990 Soren et al.  
D306,583 S 3/1990 Krolopp et al.  
D309,293 S 7/1990 Helbig, Jr.  
D332,328 S 1/1993 Lombardi, Jr.  
5,180,644 A 1/1993 Bresin et al.  
D340,917 S 11/1993 Sakaguchi et al.  
5,703,626 A 12/1997 Itoh et al.  
D412,157 S 7/1999 Stevenson  
6,094,340 A 7/2000 Min  
6,276,655 B1 8/2001 Byoun  
D453,930 S 2/2002 Vuolteenaho et al.  
D454,868 S 3/2002 Vuolteenaho et al.  
D461,802 S 8/2002 Tu  
D474,163 S 5/2003 Araki  
D494,971 S 8/2004 Jobs et al.  
D500,037 S 12/2004 Ozolins et al.  
D504,889 S 5/2005 Andre et al.  
D574,819 S 8/2008 Andre et al.  
D599,342 S 9/2009 Andre et al.  
D599,736 S 9/2009 Ferber et al.  
D600,241 S 9/2009 Andre et al.  
D602,017 S 10/2009 Andre et al.  
D602,488 S 10/2009 Jiang et al.  
D604,289 S 11/2009 Andre et al.  
D604,292 S 11/2009 Andre et al.  
D604,733 S 11/2009 Andre et al.  
D606,988 S 12/2009 Andre et al.  
D608,763 S 1/2010 Andre et al.  
D609,226 S 2/2010 Hofer et al.  
D609,705 S 2/2010 Andre et al.  
D611,469 S 3/2010 Andre et al.  
7,688,574 B2 3/2010 Zadesky et al.  
D614,161 S 4/2010 Andre et al.  
D614,162 S 4/2010 Andre et al.  
7,697,281 B2 4/2010 Dabov et al.  
D615,554 S 5/2010 Andre et al.  
D617,792 S 6/2010 Andre et al.  
D618,241 S 6/2010 Akana et al.  
D618,242 S 6/2010 Akana et al.  
D619,361 S 7/2010 Andre et al.  
D620,004 S 7/2010 Andre et al.  
D622,514 S 8/2010 Park et al.  
D622,716 S 8/2010 Andre et al.  
D622,718 S 8/2010 Andre et al.  
D624,536 S 9/2010 Andre et al.  
D625,303 S 10/2010 Kim  
D627,777 S 11/2010 Akana et al.  
D630,207 S 1/2011 Seong  
D630,630 S 1/2011 Andre et al.  
D631,474 S 1/2011 Green et al.  
7,869,206 B2 1/2011 Dabov et al.  
D632,688 S 2/2011 Seong  
D633,090 S 2/2011 Andre et al.  
D633,092 S 2/2011 Andre et al.  
D636,770 S 4/2011 Li

7,933,123 B2 4/2011 Wang et al.  
D637,596 S 5/2011 Akana et al.  
D641,018 S 7/2011 Lee et al.  
D642,563 S 8/2011 Akana et al.  
D645,833 S 9/2011 Seflic et al.  
D646,266 S 10/2011 Kim et al.  
D650,381 S 12/2011 Park et al.  
D651,606 S 1/2012 Luijben  
8,106,836 B2 1/2012 Hill et al.  
D654,497 S 2/2012 Lee  
D656,136 S 3/2012 Lee  
D657,782 S 4/2012 Biller  
D659,692 S 5/2012 Jung et al.  
8,243,429 B2 8/2012 Zadesky et al.  
D671,947 S \* 12/2012 Akana et al. .... D14/439  
D677,665 S 3/2013 Akana et al.  
8,570,736 B2 \* 10/2013 McClure et al. .... 361/679.55  
2006/0237599 A1 10/2006 Ternus et al.  
2008/0225468 A1 9/2008 Huang et al.  
2009/0067141 A1 3/2009 Dabov et al.  
2010/0146766 A1 6/2010 Dabov et al.  
2010/0289390 A1 11/2010 Kenney  
2011/0050560 A1 3/2011 Foster et al.  
2011/0088838 A1 4/2011 Thompson et al.  
2011/0164365 A1 7/2011 McClure et al.  
2011/0166690 A1 7/2011 Ternus et al.  
2011/0180557 A1 7/2011 Kenney  
2011/0299231 A1 12/2011 Gaddis, II et al.  
2012/0044123 A1 2/2012 Rothkopf et al.  
2012/0048589 A1 3/2012 Jol  
2012/0051025 A1 3/2012 Jol et al.  
2012/0097412 A1 4/2012 Wennemer et al.  
2012/0194393 A1 \* 8/2012 Uttermann et al. .... 343/702  
2012/0194997 A1 \* 8/2012 McClure et al. .... 361/679.55  
2012/0194998 A1 \* 8/2012 McClure et al. .... 361/679.56

FOREIGN PATENT DOCUMENTS

EM 001802316-0001 1/2011  
JP D1142127 5/2002  
JP D1250487 9/2005  
JP D1383724 3/2010  
KR 30-0598021 5/2001

OTHER PUBLICATIONS

My Burmese Blog, "Apple Touch Screen Netbook Prototypes Hit The Web," (<http://www.htootayzar.com/myblog/2009/03/apple-touch-screen-netbook-prototypes-hit-the-web/>), published Mar. 12, 2009, 10 pages.  
Apple's Reply in Support of its Motion for a Preliminary Injunction (Redacted), p. 11, *Apple Inc. v. Samsung Electronics Co., Ltd.*, United States District Court, Northern District of California, San Jose Division, Case No. 11-cv-01846-LHK, dated Oct. 13, 2011, 38 pages total.  
Co-pending U.S. Appl. No. 29/386,208, Akana et al., "Housing for an Electronic Device," filed Feb. 25, 2011 (not published).

\* cited by examiner



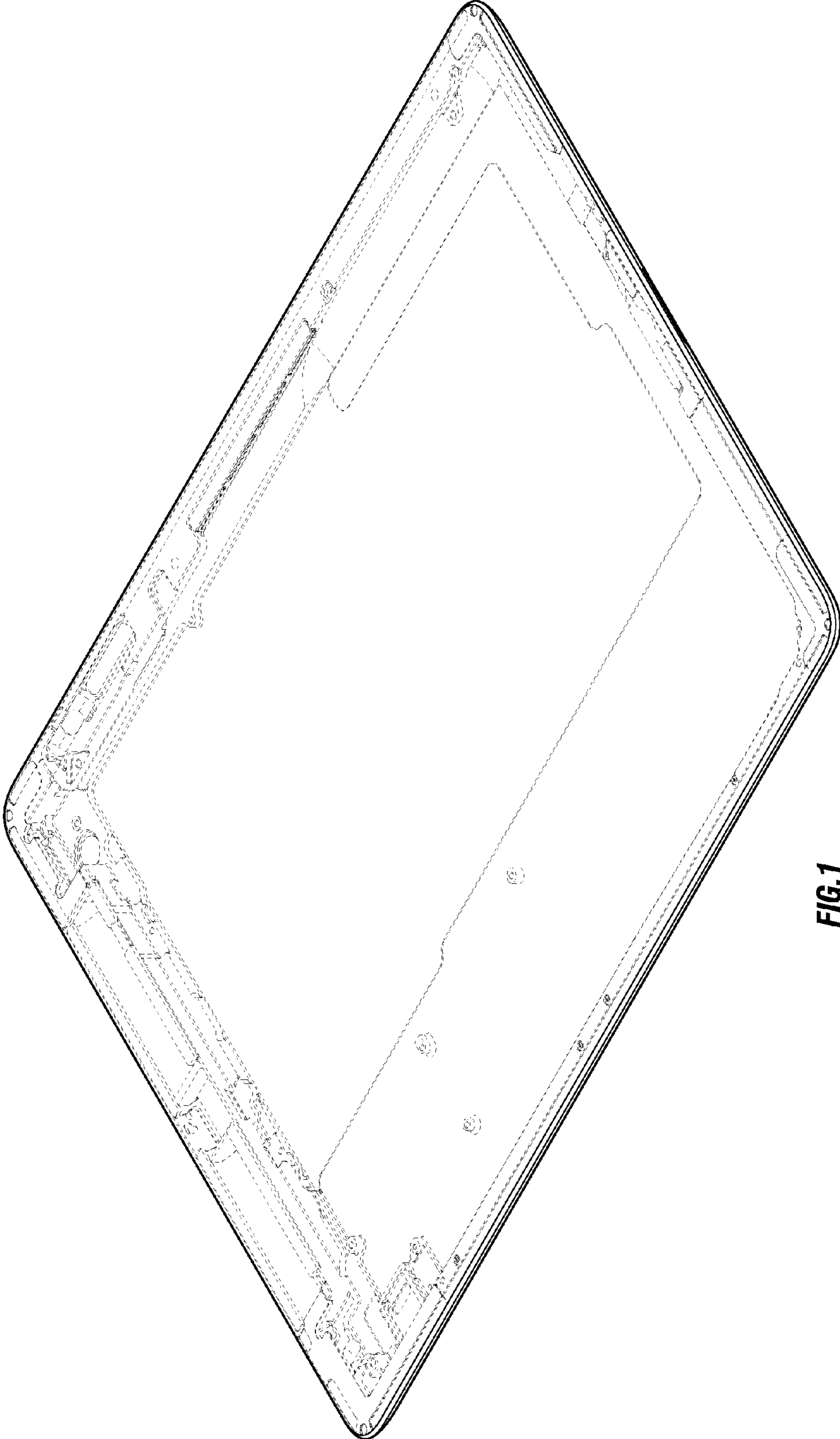


FIG.1

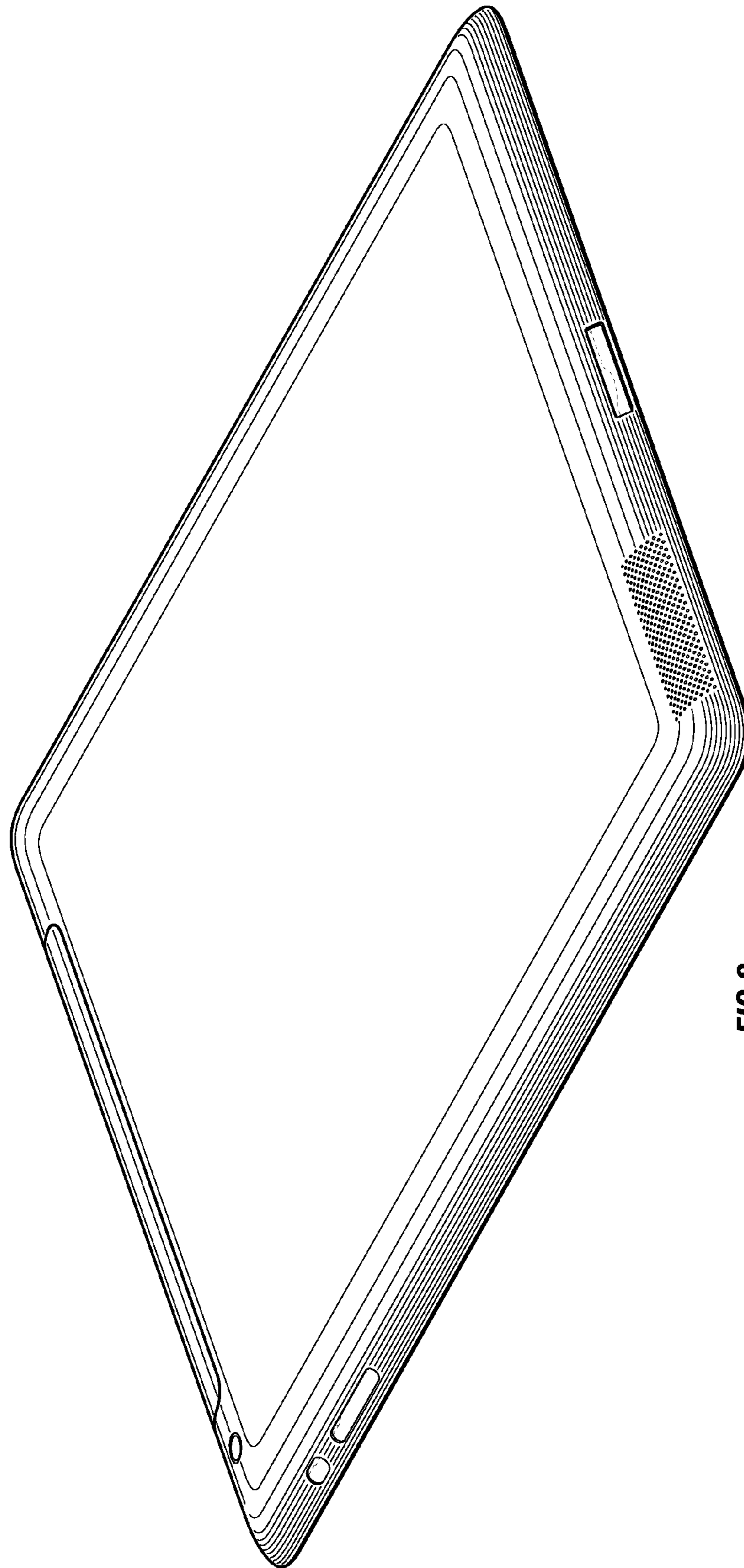
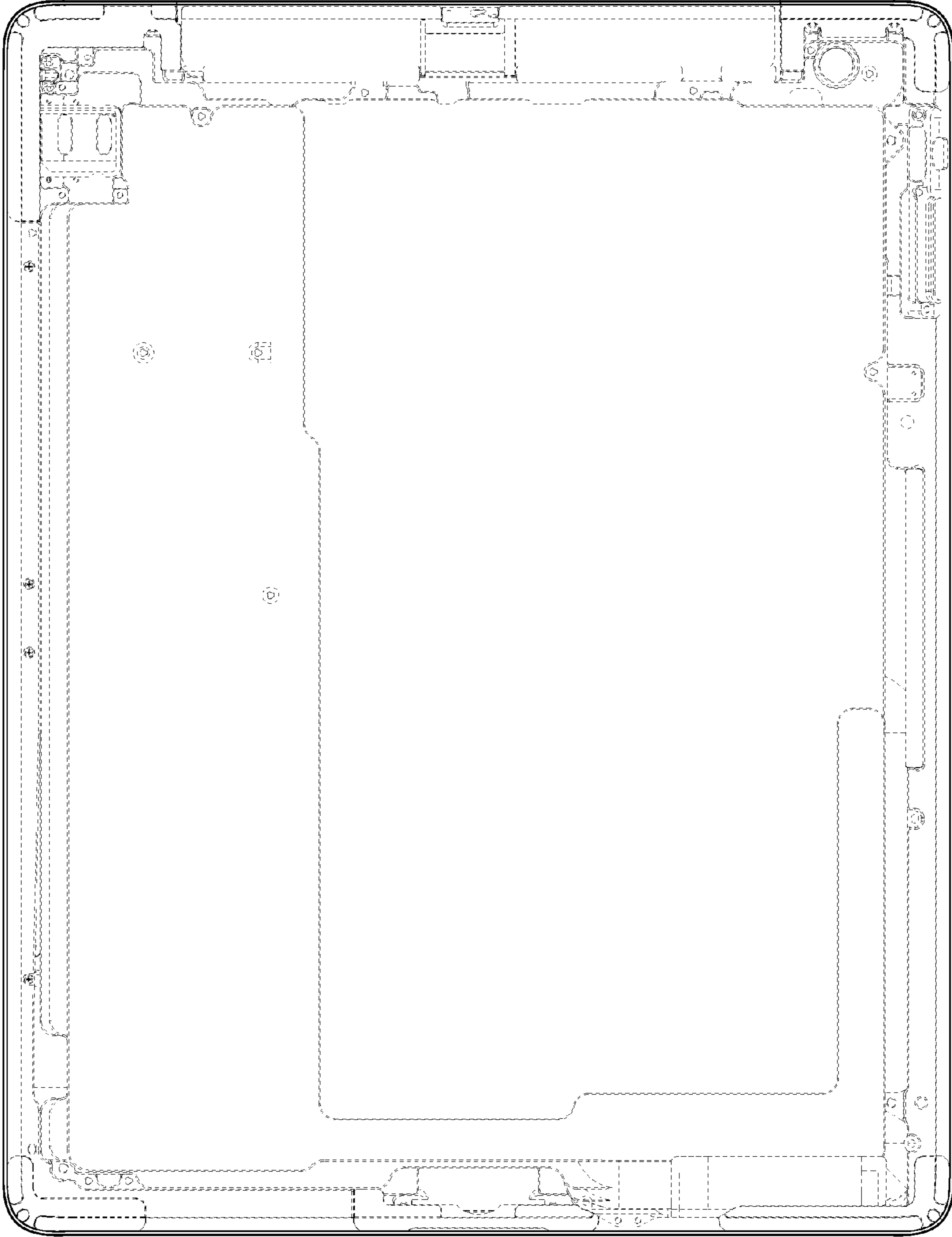


FIG.2



**FIG.3**

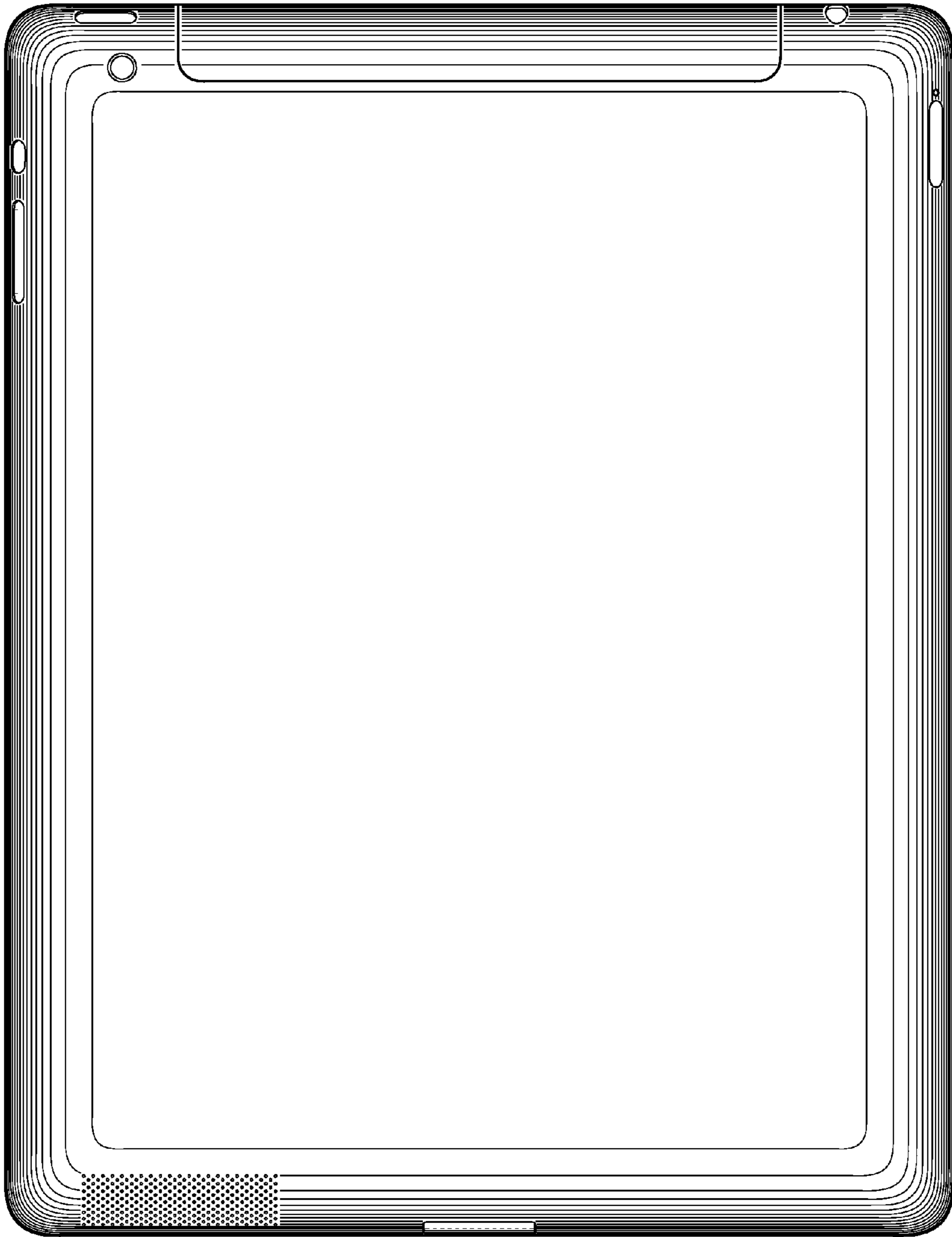


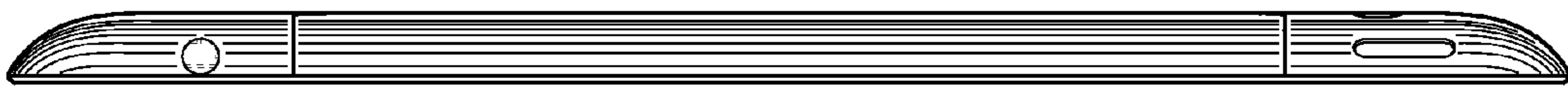
FIG.4



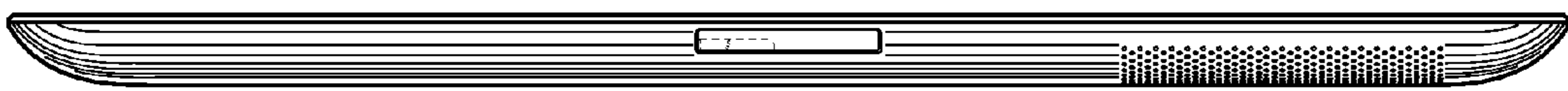
**FIG. 5**



**FIG. 6**



**FIG. 7**



**FIG. 8**



UNITED STATES PATENT AND TRADEMARK OFFICE  
**CERTIFICATE OF CORRECTION**

PATENT NO. : D710,855 S  
APPLICATION NO. : 29/438868  
DATED : August 12, 2014  
INVENTOR(S) : Jody Akana et al.

Page 1 of 1

It is certified that error appears in the above-identified patent and that said Letters Patent is hereby corrected as shown below:

Title page, item (72) Inventors, starting at line 22, please change "Eugen Anthony Wang" to  
--Eugene Antony Whang--.

Signed and Sealed this  
Eleventh Day of November, 2014



Michelle K. Lee  
*Deputy Director of the United States Patent and Trademark Office*