



US00D710854S

(12) **United States Design Patent**
Huang

(10) **Patent No.:** **US D710,854 S**

(45) **Date of Patent:** **** Aug. 12, 2014**

(54) **STYLUS**

(71) Applicant: **ASUSTeK Computer Inc.**, Taipei (TW)

(72) Inventor: **Ching-Chung Huang**, Taipei (TW)

(73) Assignee: **ASUSTeK Computer Inc.**, Taipei (TW)

(**) Term: **14 Years**

(21) Appl. No.: **29/483,461**

(22) Filed: **Feb. 28, 2014**

(51) **LOC (10) Cl.** **14-02**

(52) **U.S. Cl.**
USPC **D14/411**

(58) **Field of Classification Search**
USPC D8/61; D14/411; D19/35, 36, 41-51,
D19/54-58; 401/55, 99, 100, 104-107, 196,
401/197, 202, 208, 209, 213, 192, 195,
401/243; 708/107; 345/179, 173;
178/19.01; 700/94

See application file for complete search history.

(56) **References Cited**

U.S. PATENT DOCUMENTS

7,425,948	B2	9/2008	Ling et al.	
D588,638	S *	3/2009	Busri	D19/36
D596,668	S *	7/2009	Ehara et al.	D19/55
D611,476	S *	3/2010	Busri	D14/411
D617,798	S *	6/2010	Liu	D14/411
D619,580	S *	7/2010	Nakayama et al.	D14/411
D663,301	S *	7/2012	Lien	D14/411
D676,049	S *	2/2013	Lee et al.	D14/411
D686,620	S *	7/2013	Chung	D14/411

D694,236	S *	11/2013	Chung	D14/411
D697,915	S *	1/2014	Lien	D14/411
D697,916	S *	1/2014	Dowd et al.	D14/411
D699,722	S *	2/2014	Sugino et al.	D14/411
D699,723	S *	2/2014	Nishizawa	D14/411
2010/0159997	A1	6/2010	Wang	
2012/0013781	A1	1/2012	Yamagiwa	

* cited by examiner

Primary Examiner — Austin Murphy

(74) *Attorney, Agent, or Firm* — Muncy, Geissler, Olds & Lowe, P.C.

(57) **CLAIM**

The ornamental design for stylus, as shown and described.

DESCRIPTION

FIG. 1 is a perspective view according to a first embodiment of our new design;

FIG. 2 is a front elevational view thereof;

FIG. 3 is a rear elevational view thereof;

FIG. 4 is a left-side elevational view thereof;

FIG. 5 is a right-side elevational view thereof;

FIG. 6 is a top plan view thereof;

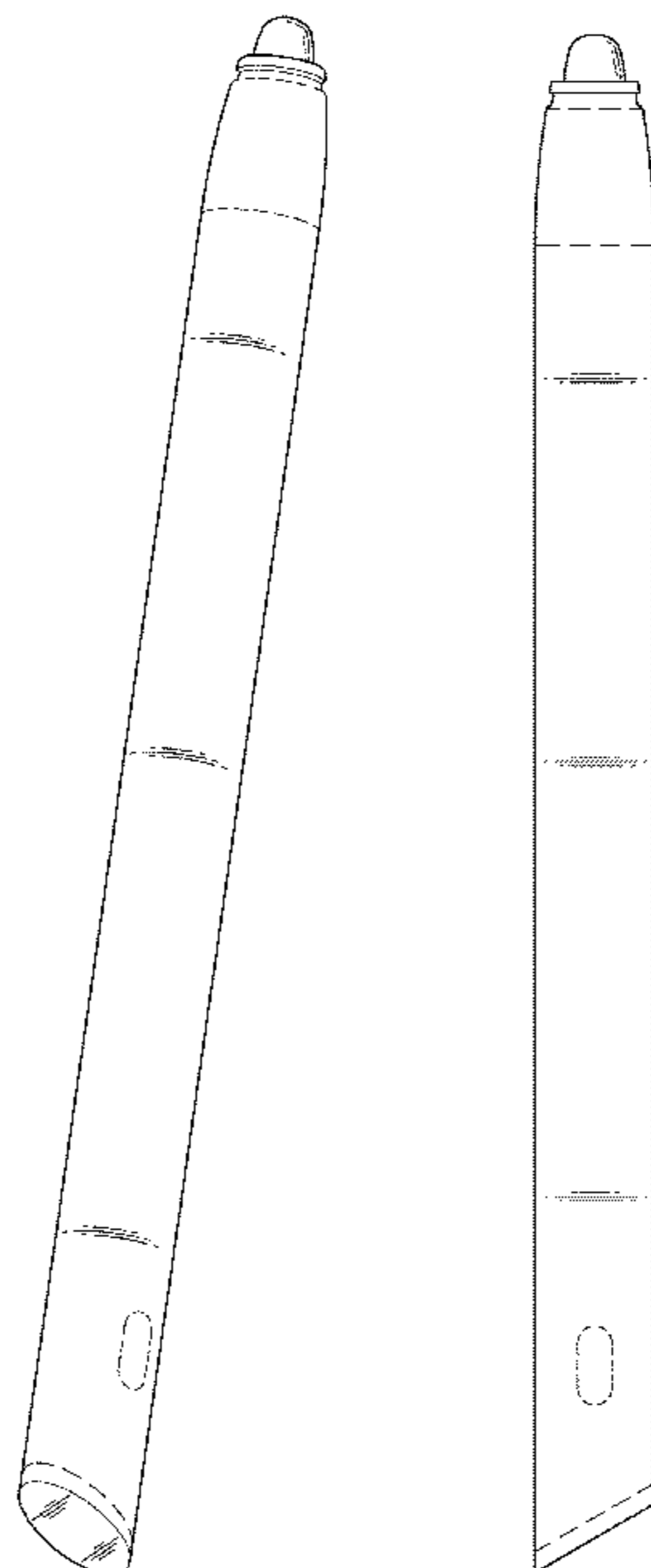
FIG. 7 is a bottom plan view thereof;

FIG. 8 is another perspective view according to our new design and the broken lines showing an electronic device is ready to be supported by the stylus; and,

FIG. 9 is another perspective view according to our new design and the broken lines showing an electronic device is ready to be touched by the stylus.

The broken lines shown in figures illustrate environmental structures and form no part of the claimed design.

1 Claim, 6 Drawing Sheets



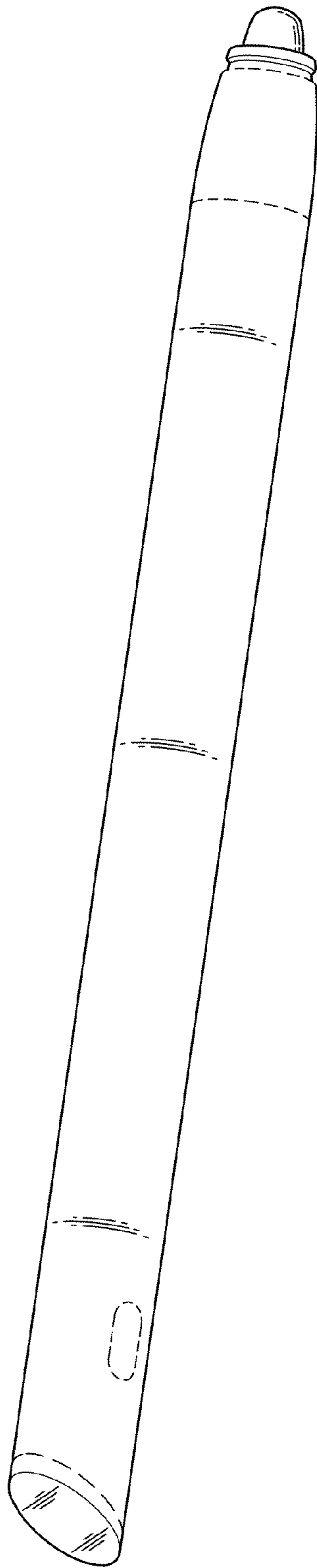


FIG.1

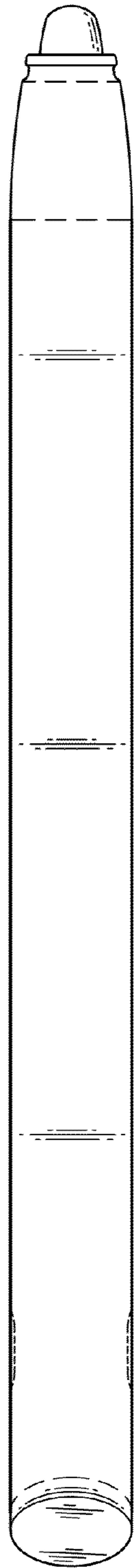


FIG. 2

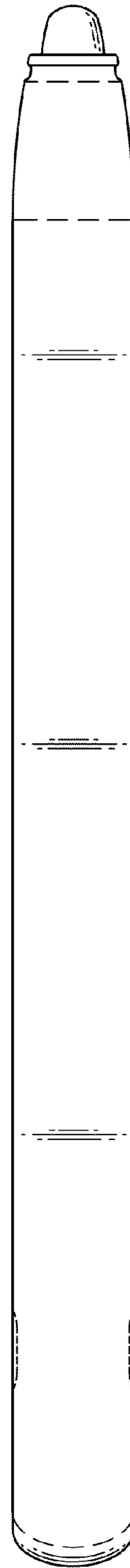


FIG. 3

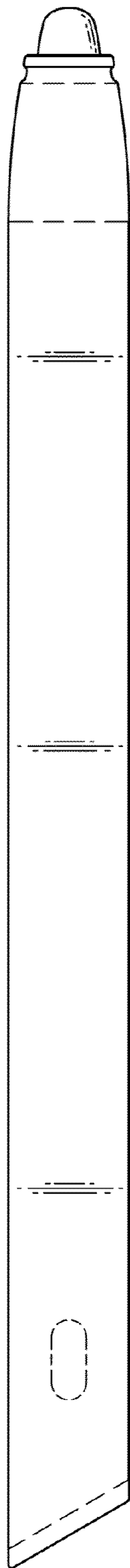


FIG. 4

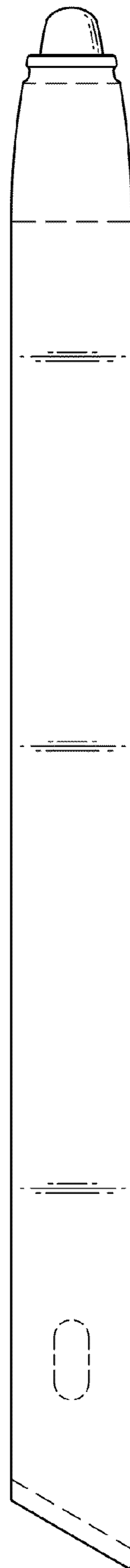


FIG. 5

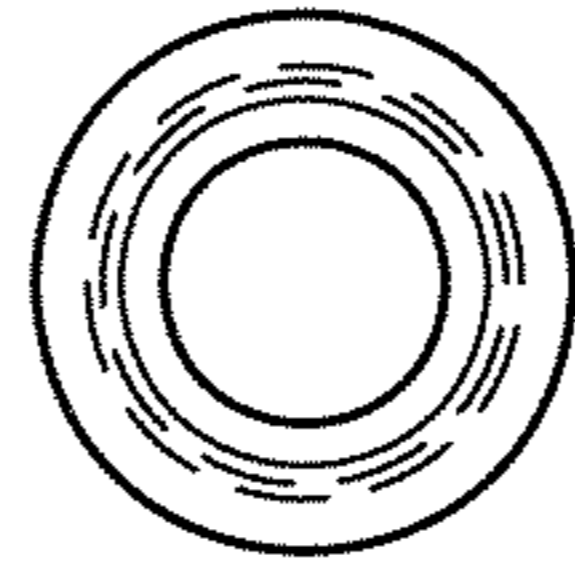


FIG. 6

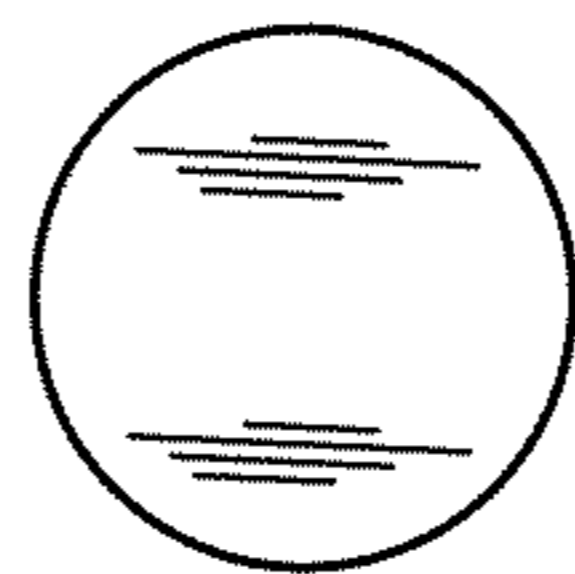


FIG. 7

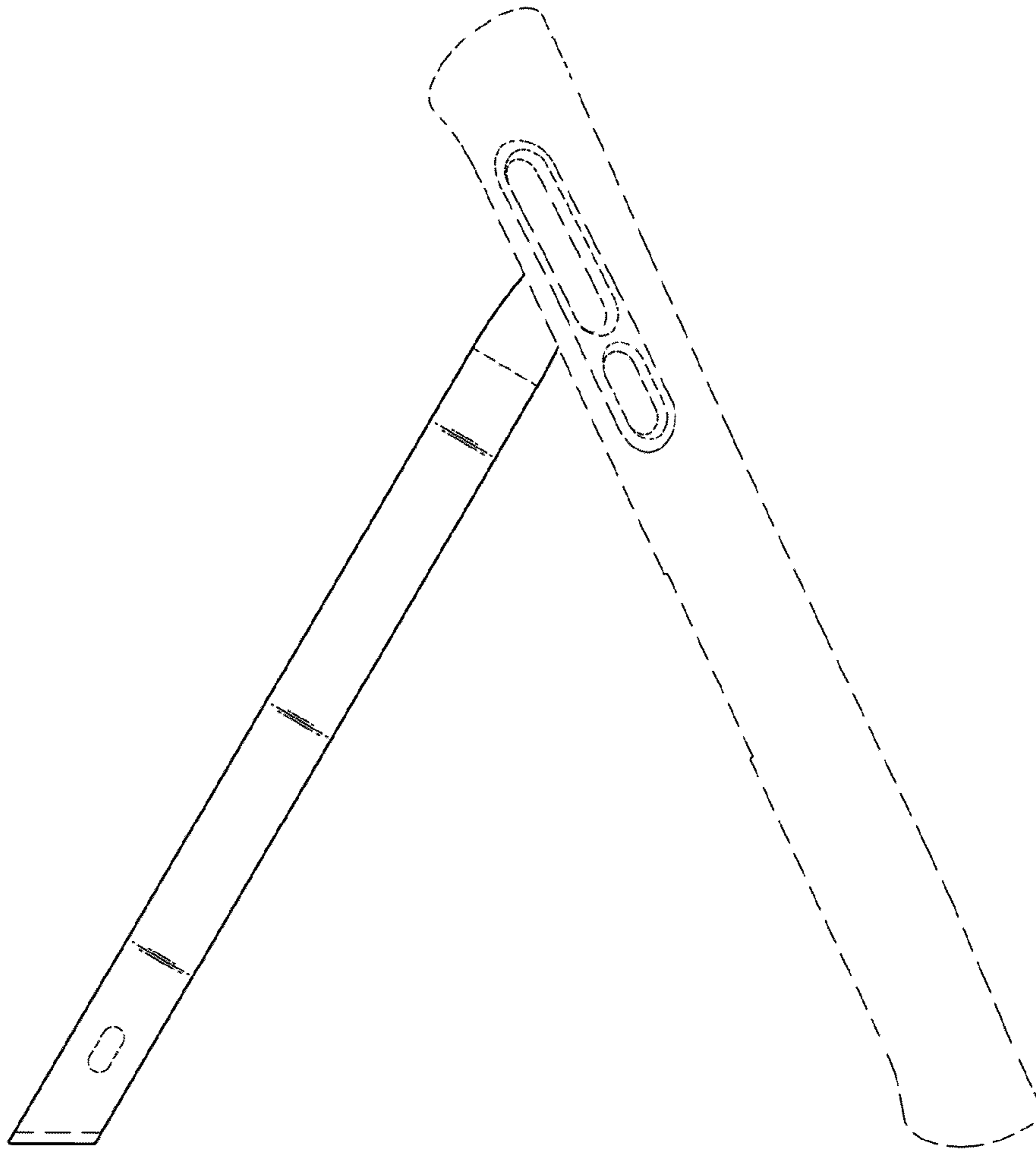


FIG.8

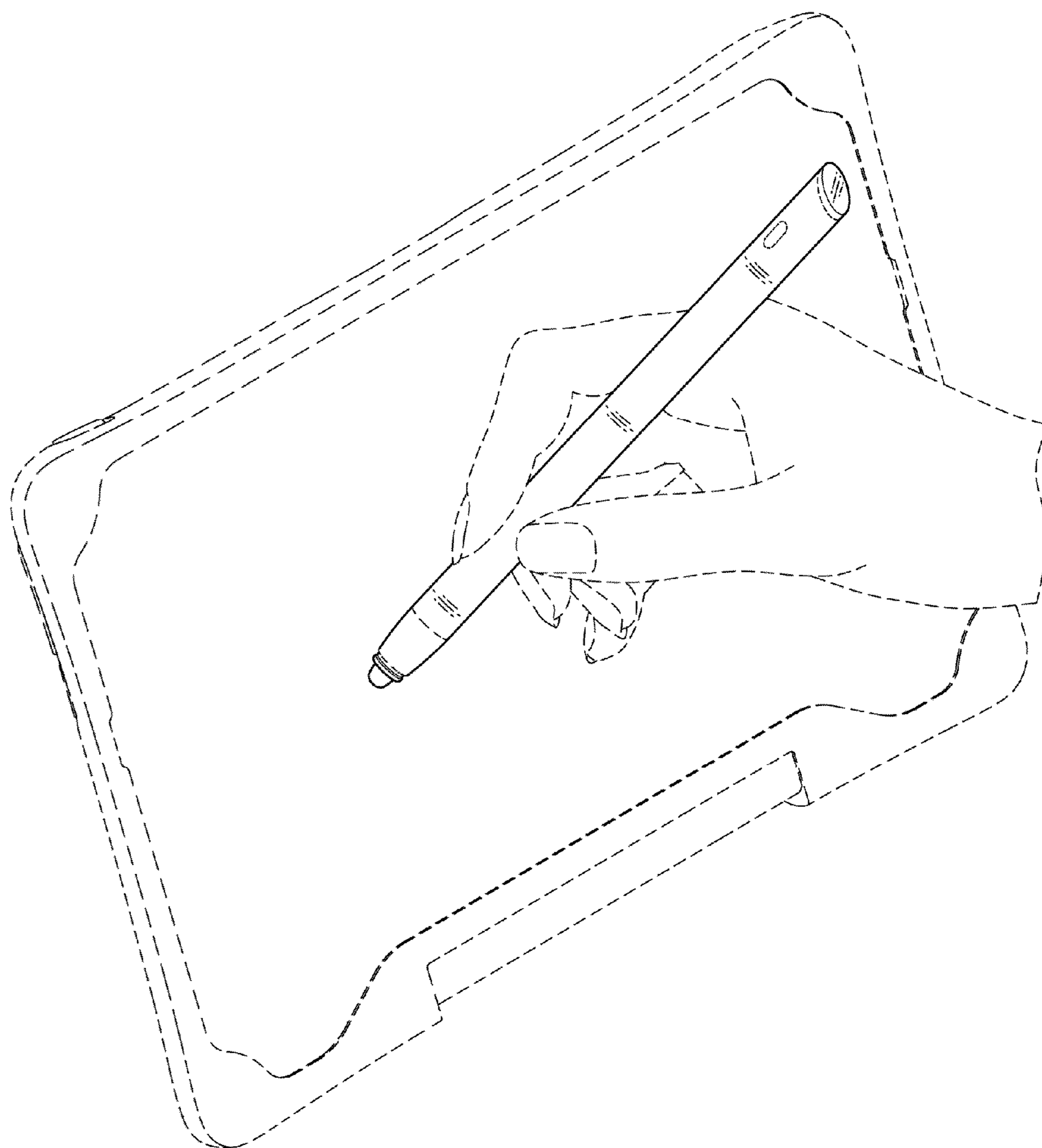


FIG.9