



US00D710851S

(12) **United States Design Patent**
Tsai

(10) **Patent No.:** **US D710,851 S**
(45) **Date of Patent:** **** Aug. 12, 2014**

- (54) **ELECTRONIC MOUSE**
- (71) Applicant: **Microsoft Corporation**, Redmond, WA (US)
- (72) Inventor: **James Iming Tsai**, Redmond, WA (US)
- (73) Assignee: **Microsoft Corporation**, Redmond, WA (US)
- (**) Term: **14 Years**
- (21) Appl. No.: **29/459,453**
- (22) Filed: **Jun. 28, 2013**
- (51) **LOC (10) Cl.** **14-02**
- (52) **U.S. Cl.**
USPC **D14/402**
- (58) **Field of Classification Search**
USPC D14/402-411, 356, 388, 389, 383-385,
D14/417, 426; 345/156-167; 463/36-38;
358/471, 473; 273/148 B
See application file for complete search history.

(56) **References Cited**

U.S. PATENT DOCUMENTS

D450,321 S	11/2001	Fisher et al.	
D450,697 S	11/2001	Fisher et al.	
D471,556 S *	3/2003	O’Keeffe et al.	D14/408
D473,232 S	4/2003	Fisher	
D473,870 S	4/2003	Fisher	
D479,528 S *	9/2003	Sheehan et al.	D14/408
D485,272 S *	1/2004	Fisher	D14/402
D487,895 S *	3/2004	Fisher et al.	D14/408
D505,679 S *	5/2005	Klarke et al.	D14/409
D510,353 S	10/2005	Fisher et al.	
D519,119 S *	4/2006	Canavan et al.	D14/402
D530,911 S *	10/2006	Guitay	D3/273
D540,801 S	4/2007	Chatterjee et al.	
D541,803 S *	5/2007	Tseng et al.	D14/402
D544,483 S	6/2007	Fisher et al.	
D544,863 S	6/2007	Chatterjee et al.	

D544,864 S	6/2007	Chatterjee et al.	
D560,662 S	1/2008	Chatterjee et al.	
D560,664 S	1/2008	Chatterjee	
D563,957 S *	3/2008	White et al.	D14/408
D570,842 S	6/2008	Chatterjee et al.	

(Continued)

OTHER PUBLICATIONS

U.S. Appl. No. 29/459,454, filed Jun. 28, 2013, Electronic Mouse.

(Continued)

Primary Examiner — Austin Murphy

(74) *Attorney, Agent, or Firm* — Banner & Witcoff, Ltd.

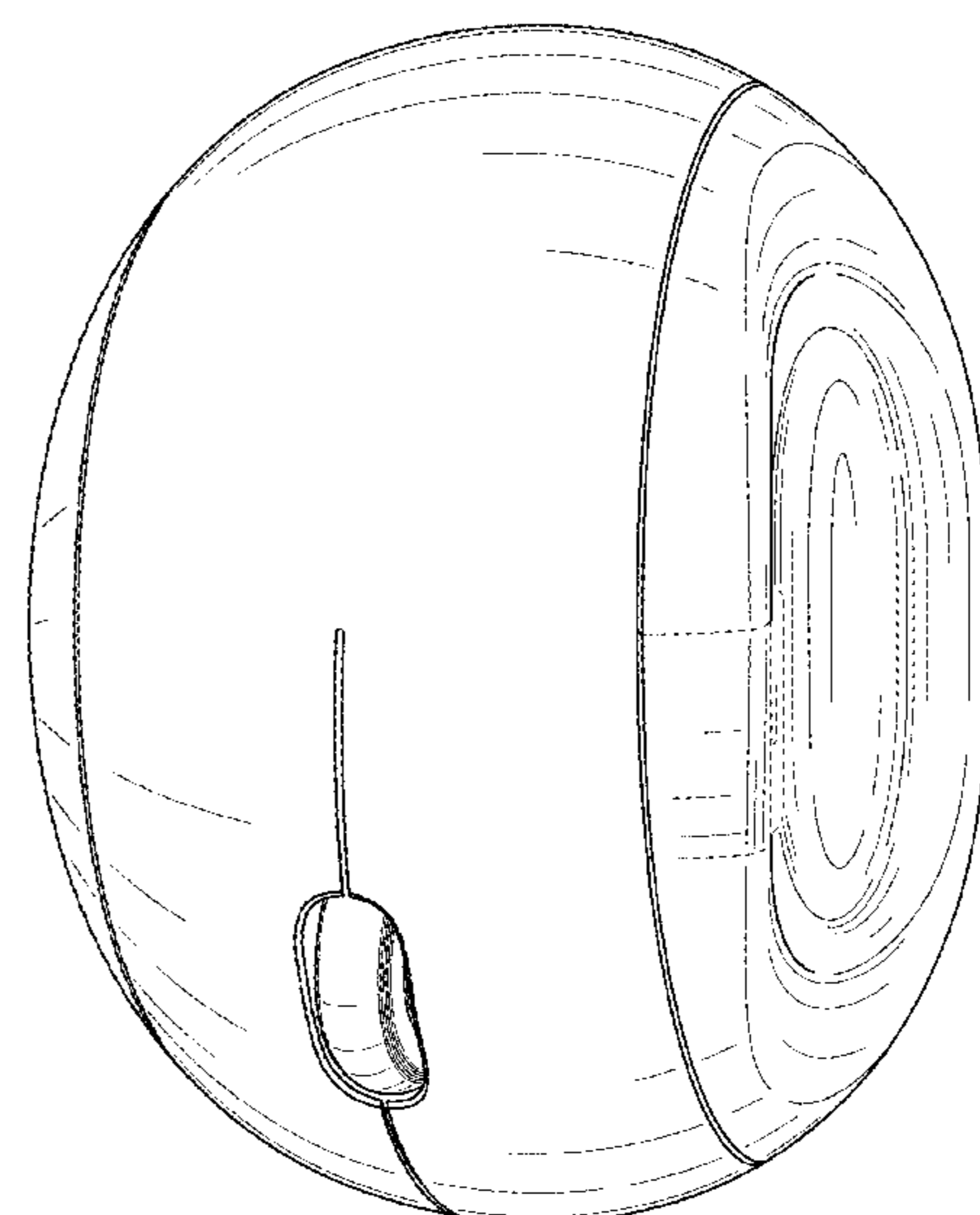
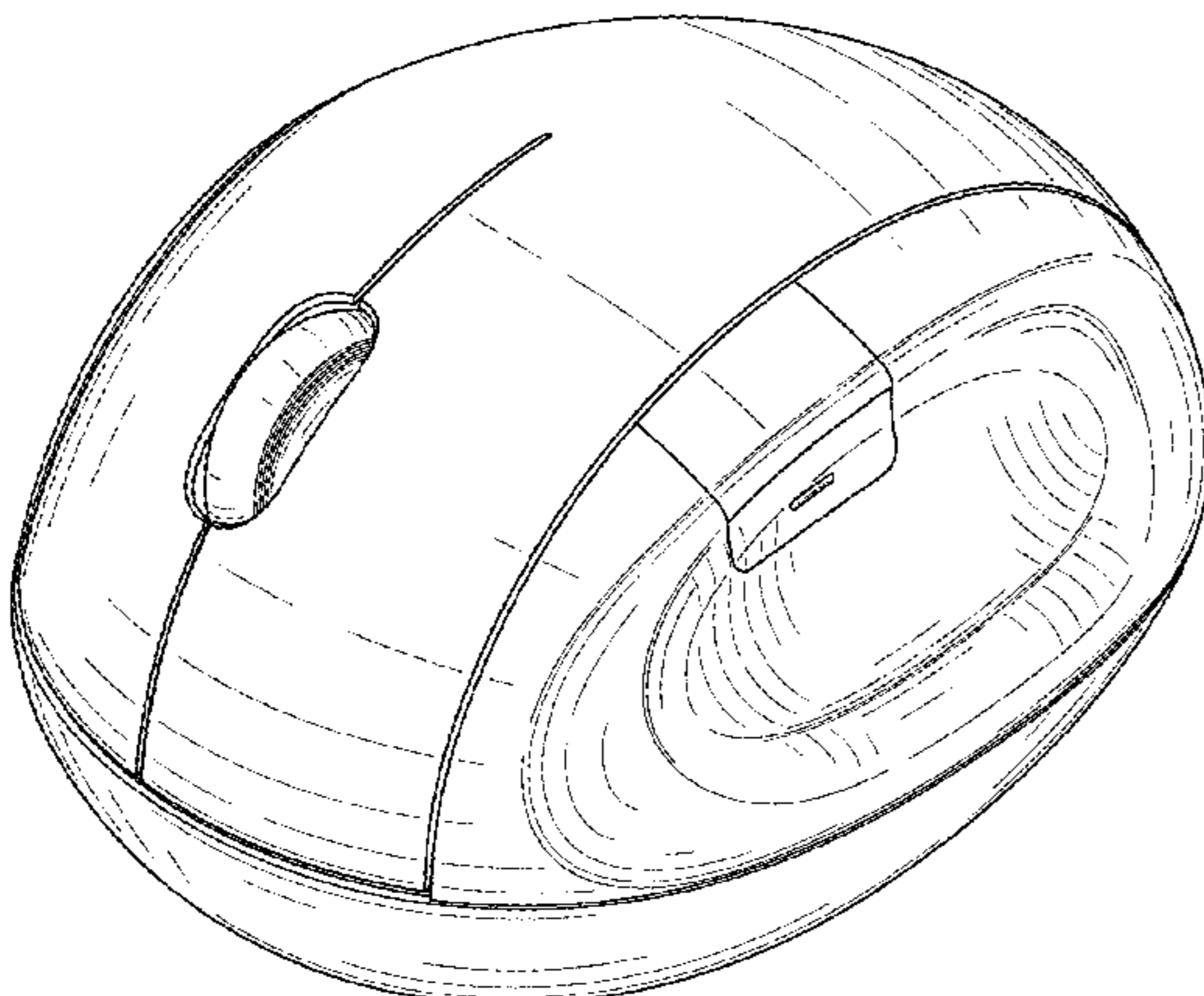
(57) **CLAIM**

The ornamental design for an electronic mouse, as shown and described.

DESCRIPTION

FIG. 1 is a front perspective view of an electronic mouse showing my new design;
 FIG. 2 is a front view thereof;
 FIG. 3 is a rear view thereof;
 FIG. 4 is a right side view thereof;
 FIG. 5 is a left side view thereof;
 FIG. 6 is a top view thereof;
 FIG. 7 is a bottom view thereof;
 FIG. 8 is a front perspective view of the electronic mouse of FIGS. 1-7 shown with an additional disclaimed regions;
 FIG. 9 is a front view thereof;
 FIG. 10 is a rear view thereof;
 FIG. 11 is a side view thereof;
 FIG. 12 is a second side view thereof;
 FIG. 13 is a top view thereof; and,
 FIG. 14 is a bottom view thereof.
 The broken line showing of the various regions of the electronic mouse is for environmental purposes only and forms no part of the claimed design.

1 Claim, 10 Drawing Sheets



(56)

References Cited

U.S. PATENT DOCUMENTS

D574,828 S 8/2008 Chatterjee et al.
D581,930 S 12/2008 Chatterjee et al.
D590,398 S 4/2009 Kim et al.
D593,097 S 5/2009 Kujawski et al.
D593,098 S 5/2009 Kujawski et al.
D597,545 S * 8/2009 Kujawski et al. D14/409
D598,022 S * 8/2009 Kujawski et al. D14/409
D599,353 S 9/2009 Kujawski et al.
D607,454 S 1/2010 Reed et al.
D607,456 S 1/2010 Reed et al.
D612,382 S * 3/2010 Kujawski et al. D14/409

D616,887 S * 6/2010 Le Guen et al. D14/407
D622,725 S 8/2010 Reed et al.
D630,214 S 1/2011 Kim et al.
D630,216 S * 1/2011 Ng D14/408
D638,837 S * 5/2011 Tzeng D14/402
D657,360 S 4/2012 Kujawski et al.
D665,390 S 8/2012 Kujawski et al.
D666,199 S 8/2012 Kujawski et al.
D667,409 S 9/2012 Kujawski et al.

OTHER PUBLICATIONS

U.S. Appl. No. 29/459,457, filed Jun. 28, 2013, Electronic Mouse.

* cited by examiner

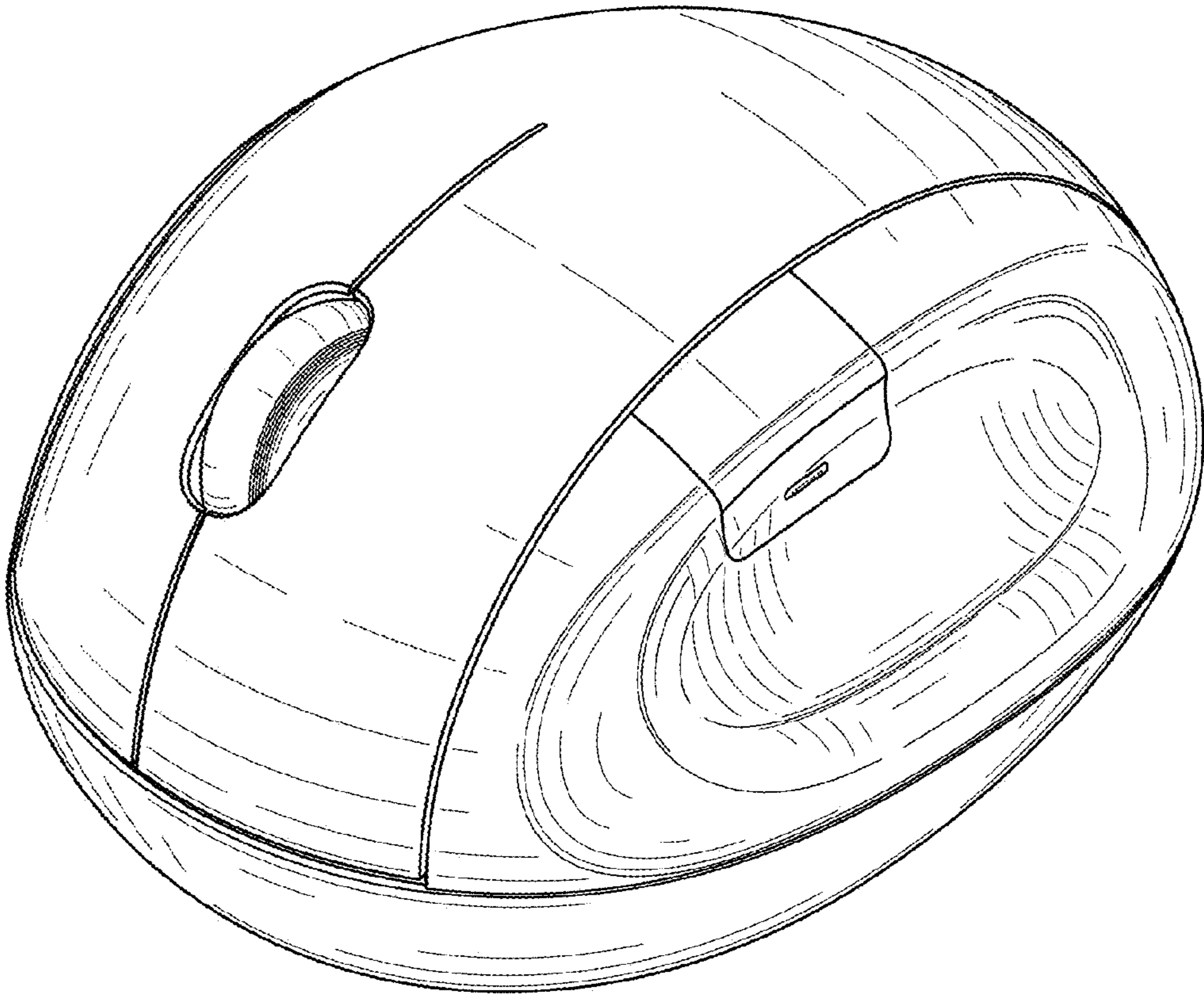


FIG. 1

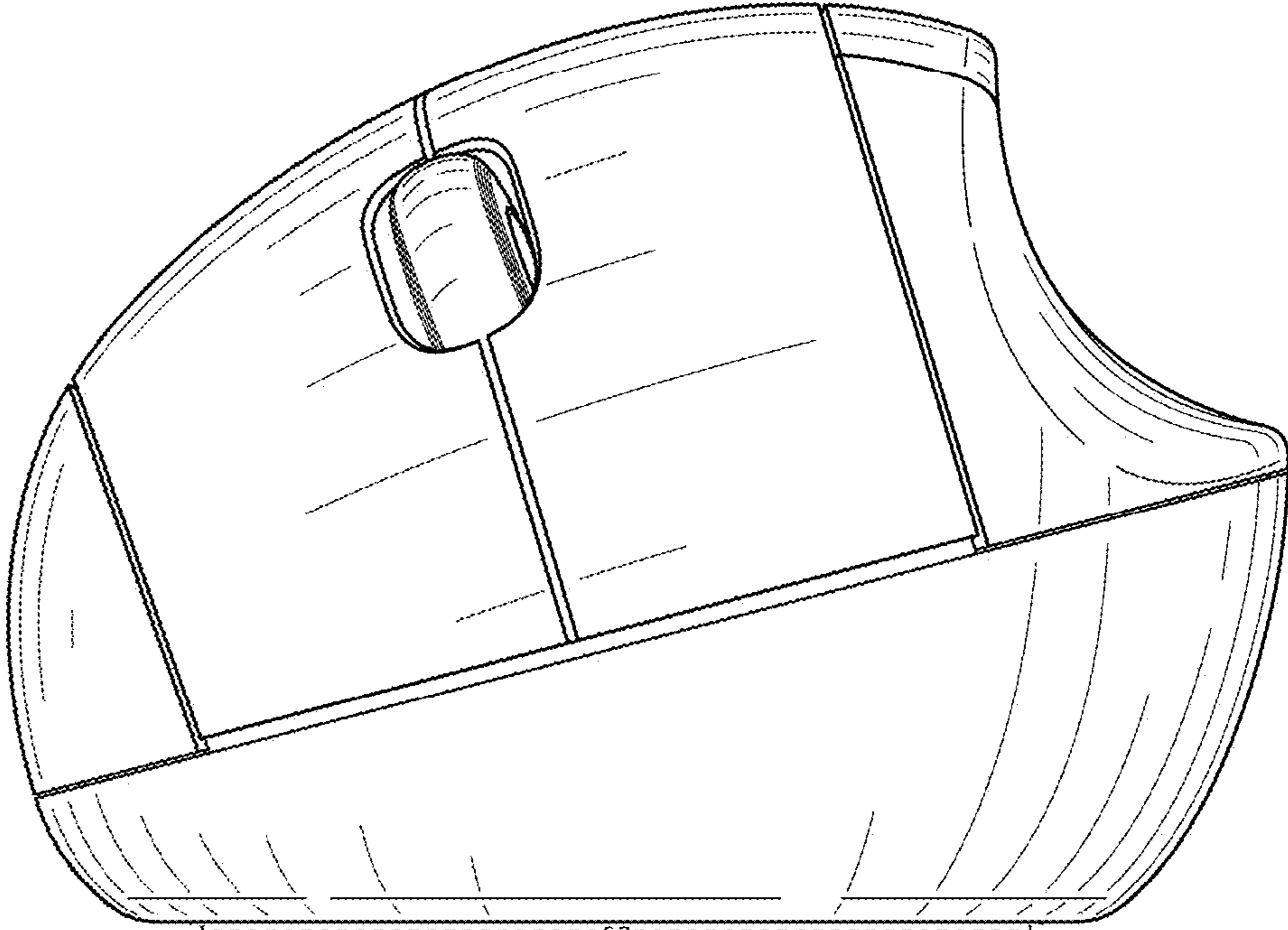


FIG. 2

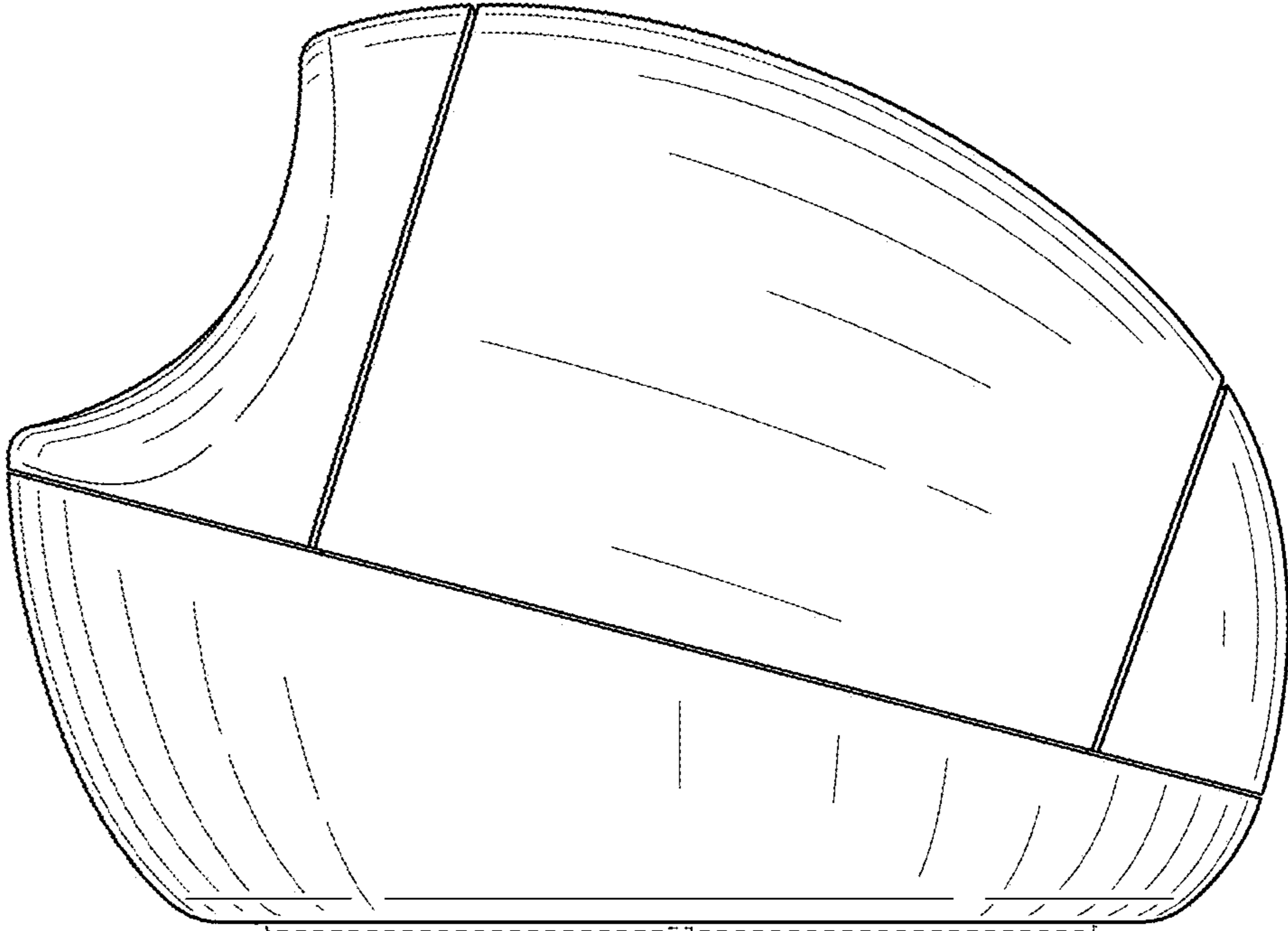


FIG. 3

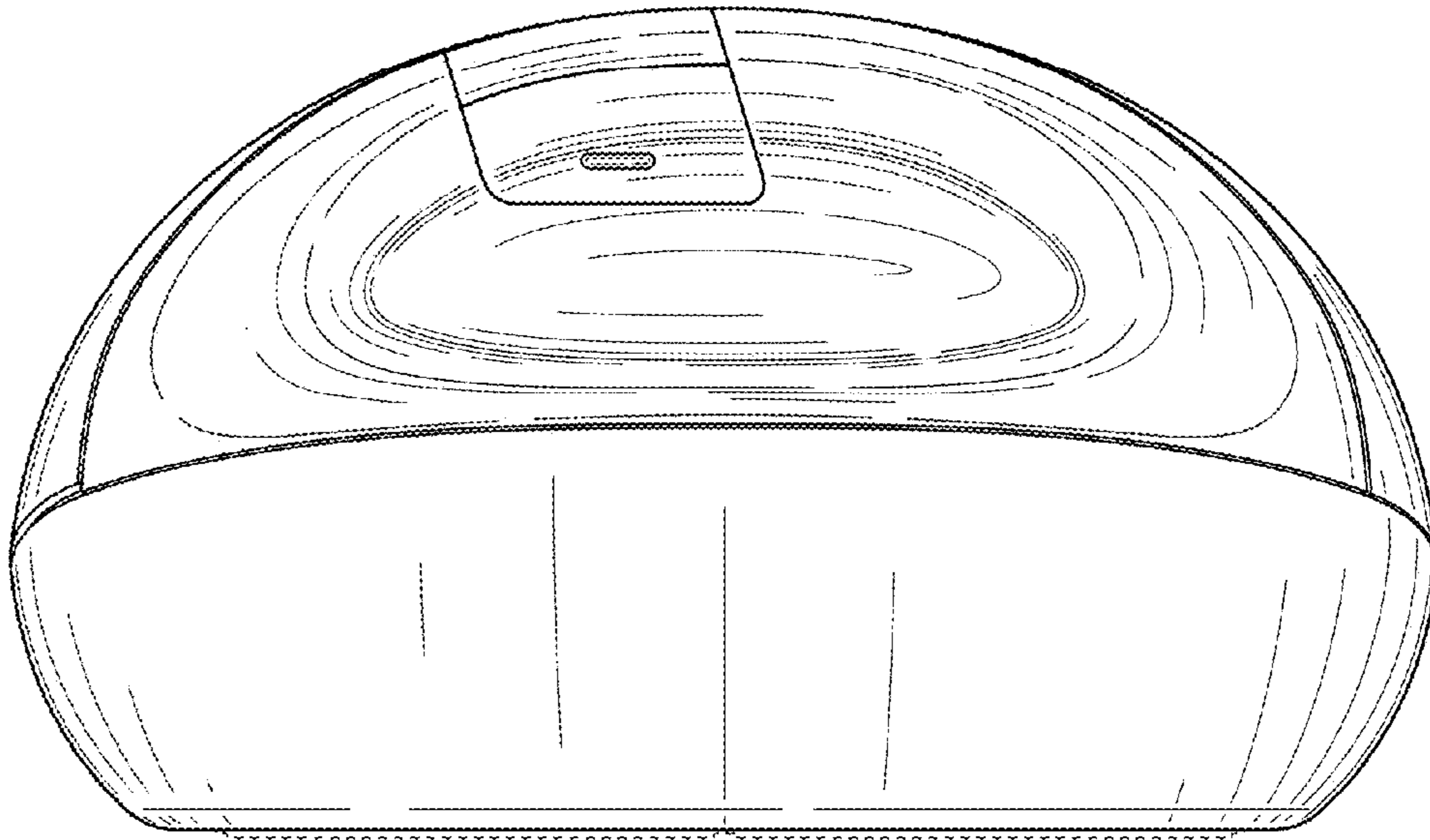


FIG. 4

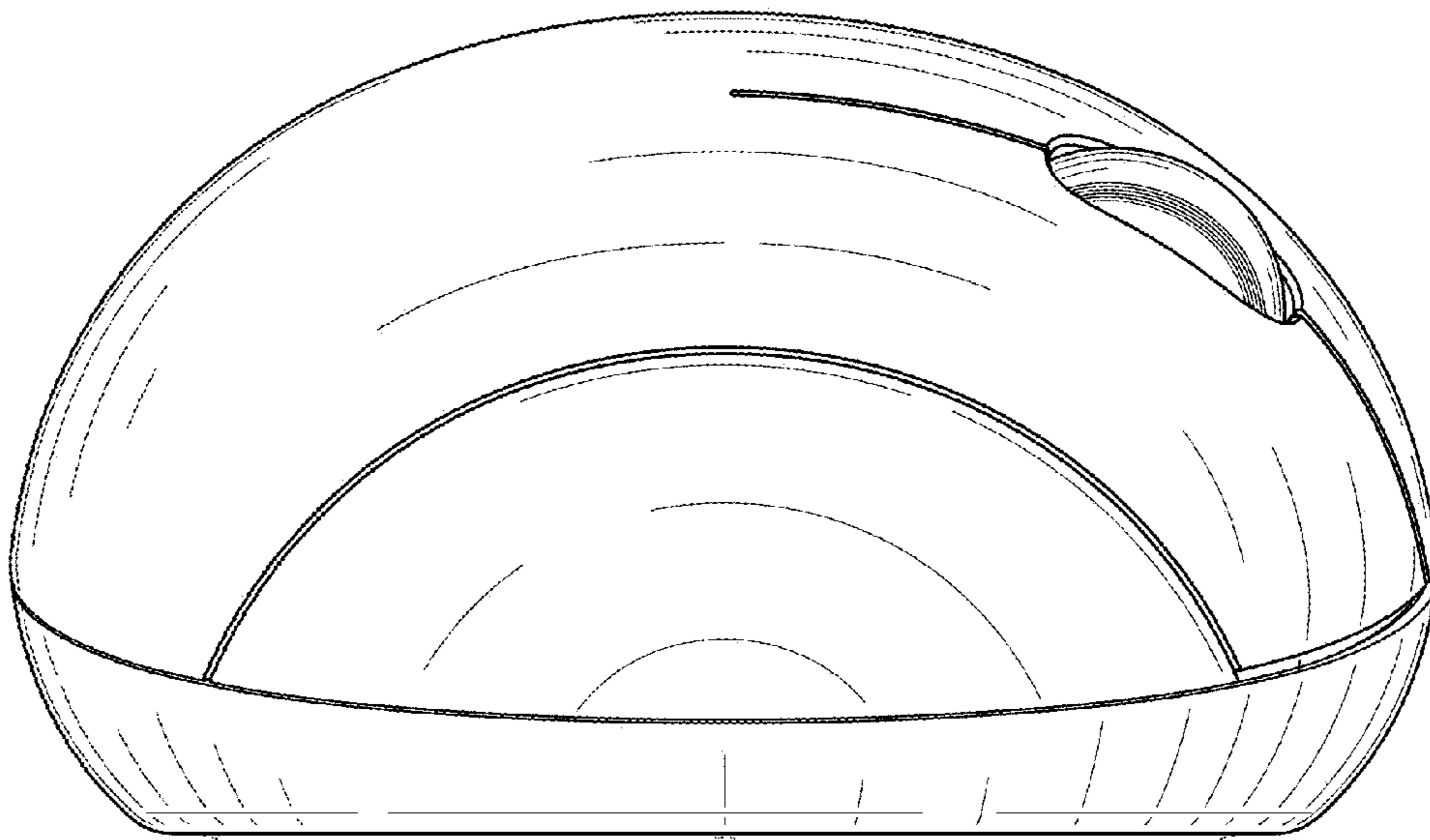


FIG. 5

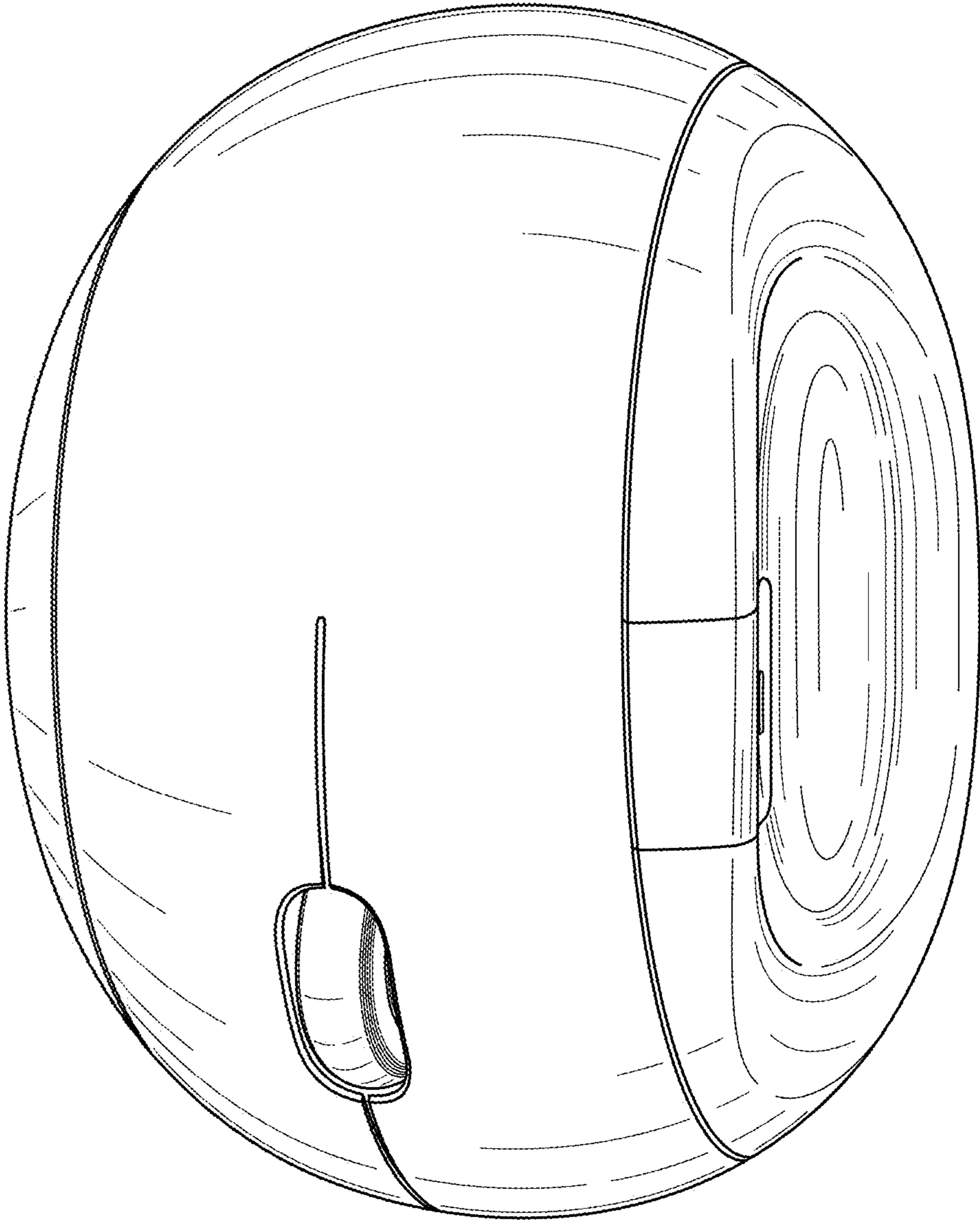


FIG. 6

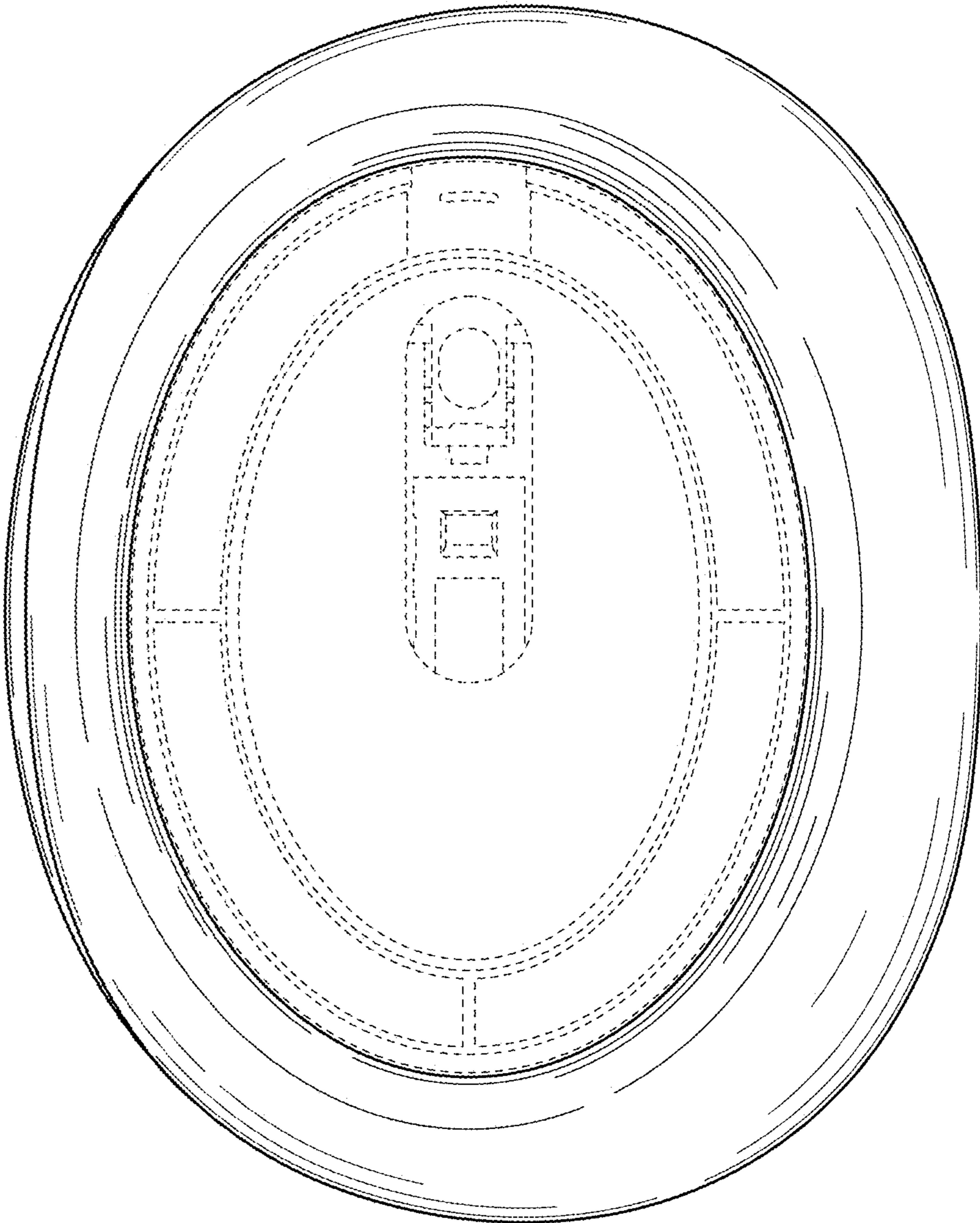


FIG. 7

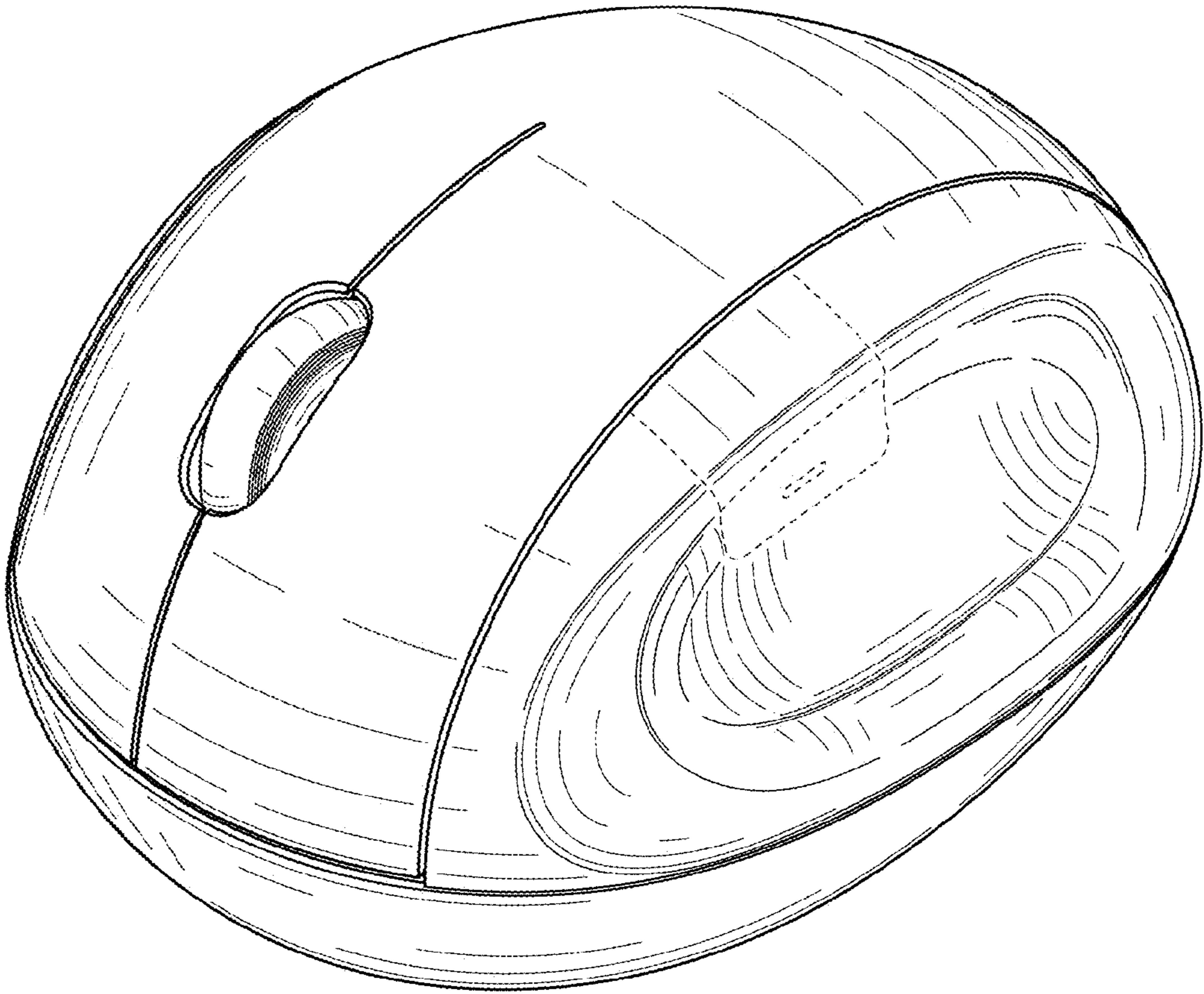


FIG. 8

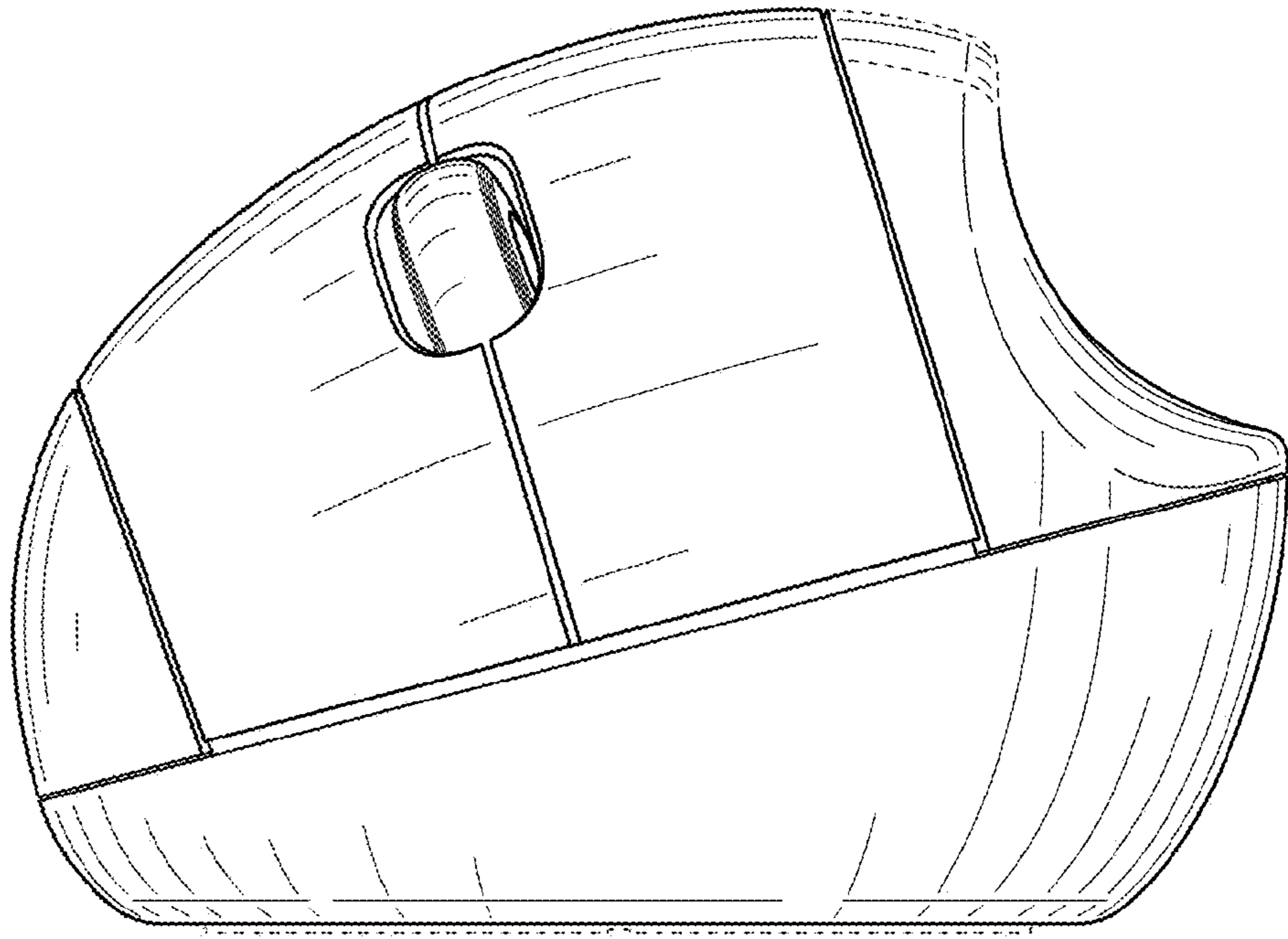


FIG. 9

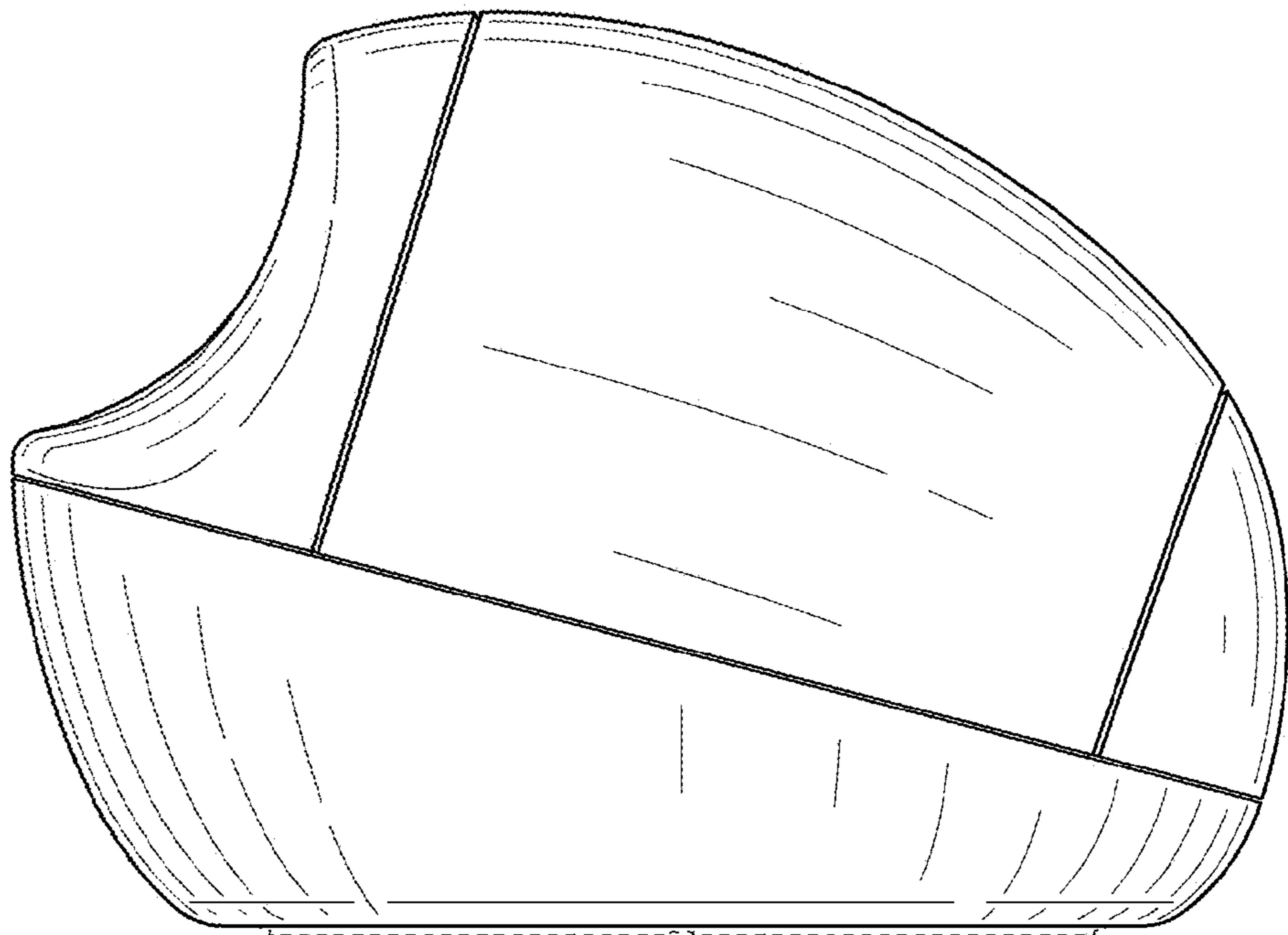


FIG. 10

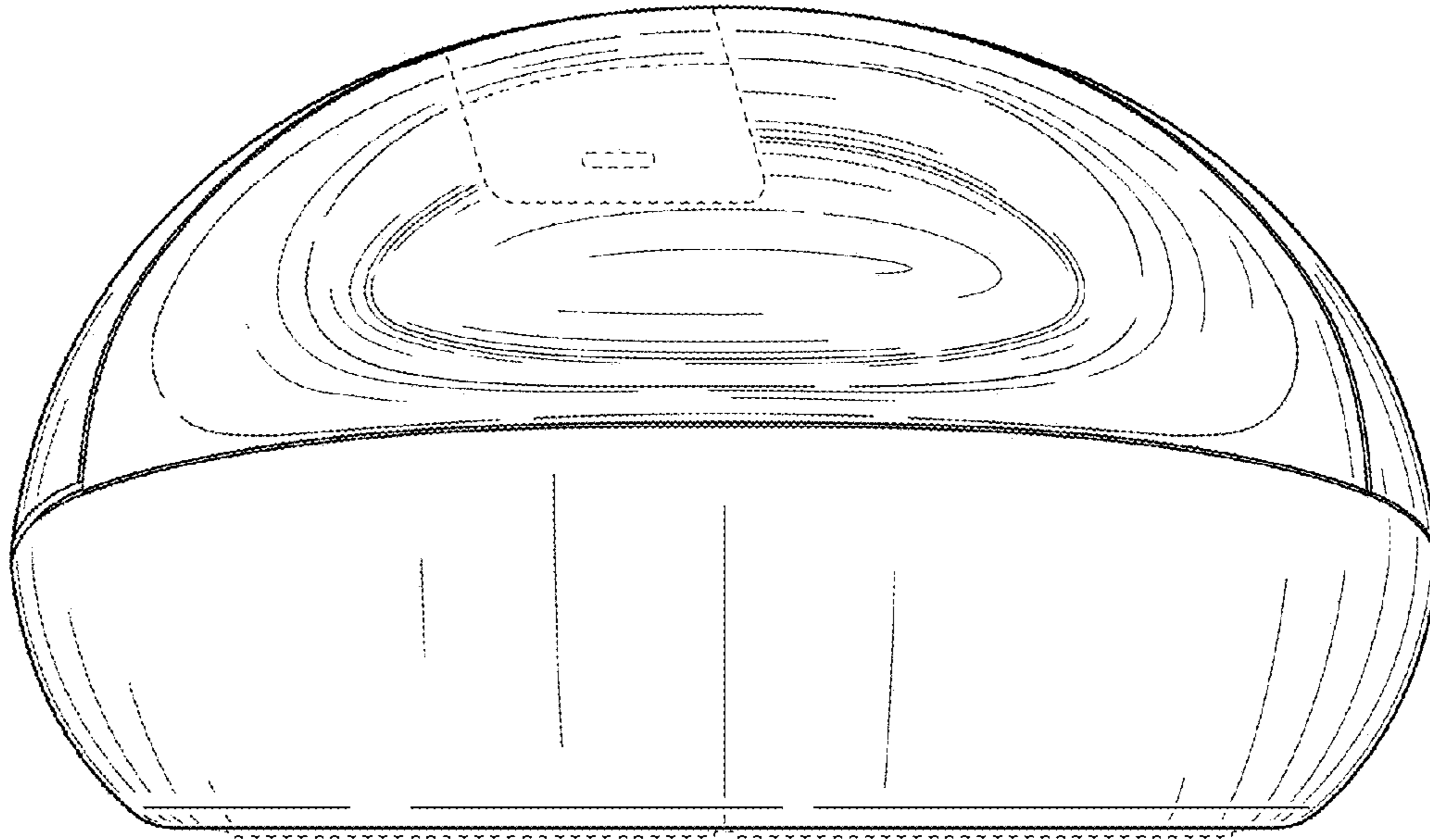


FIG. 11

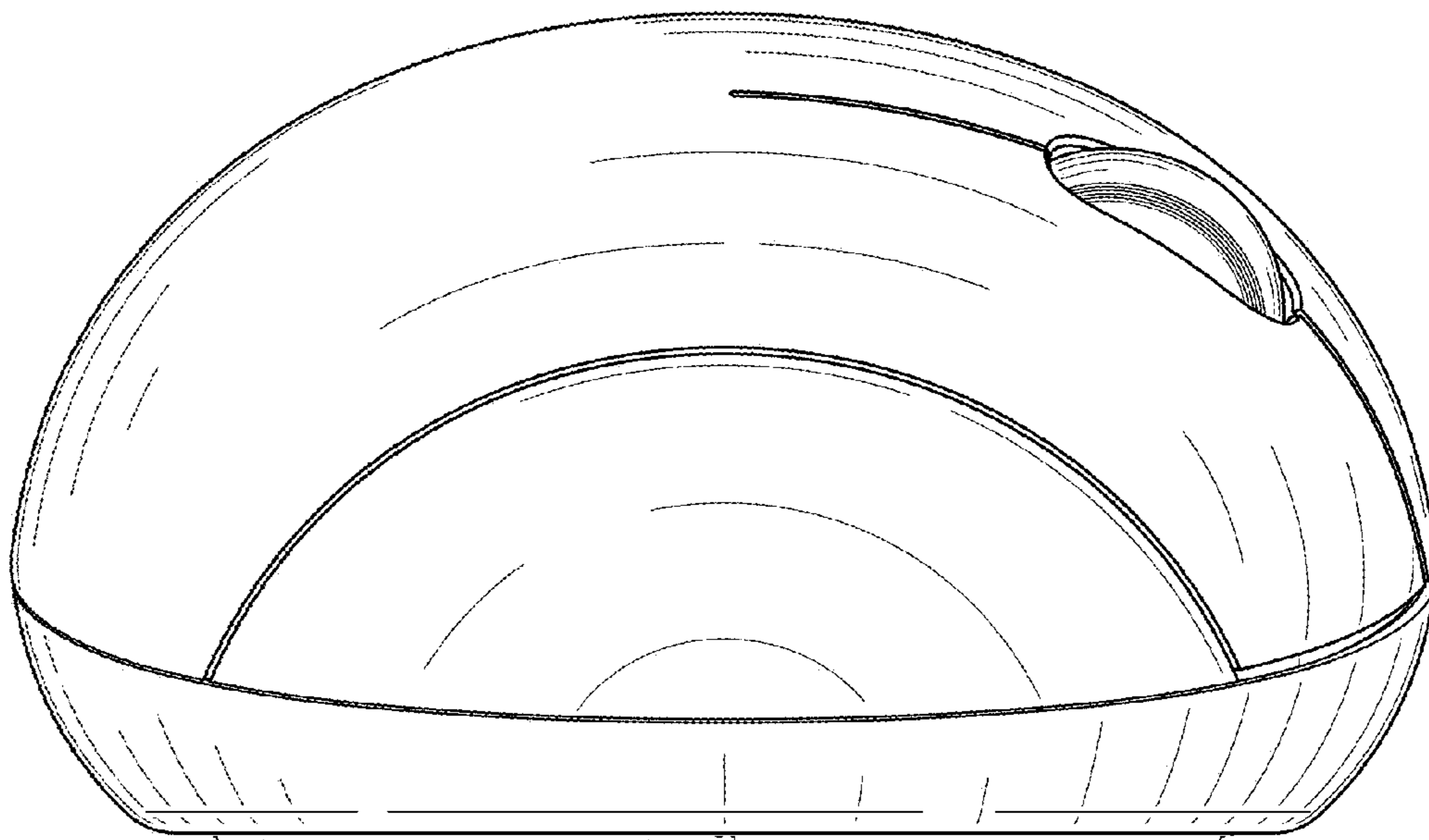


FIG. 12

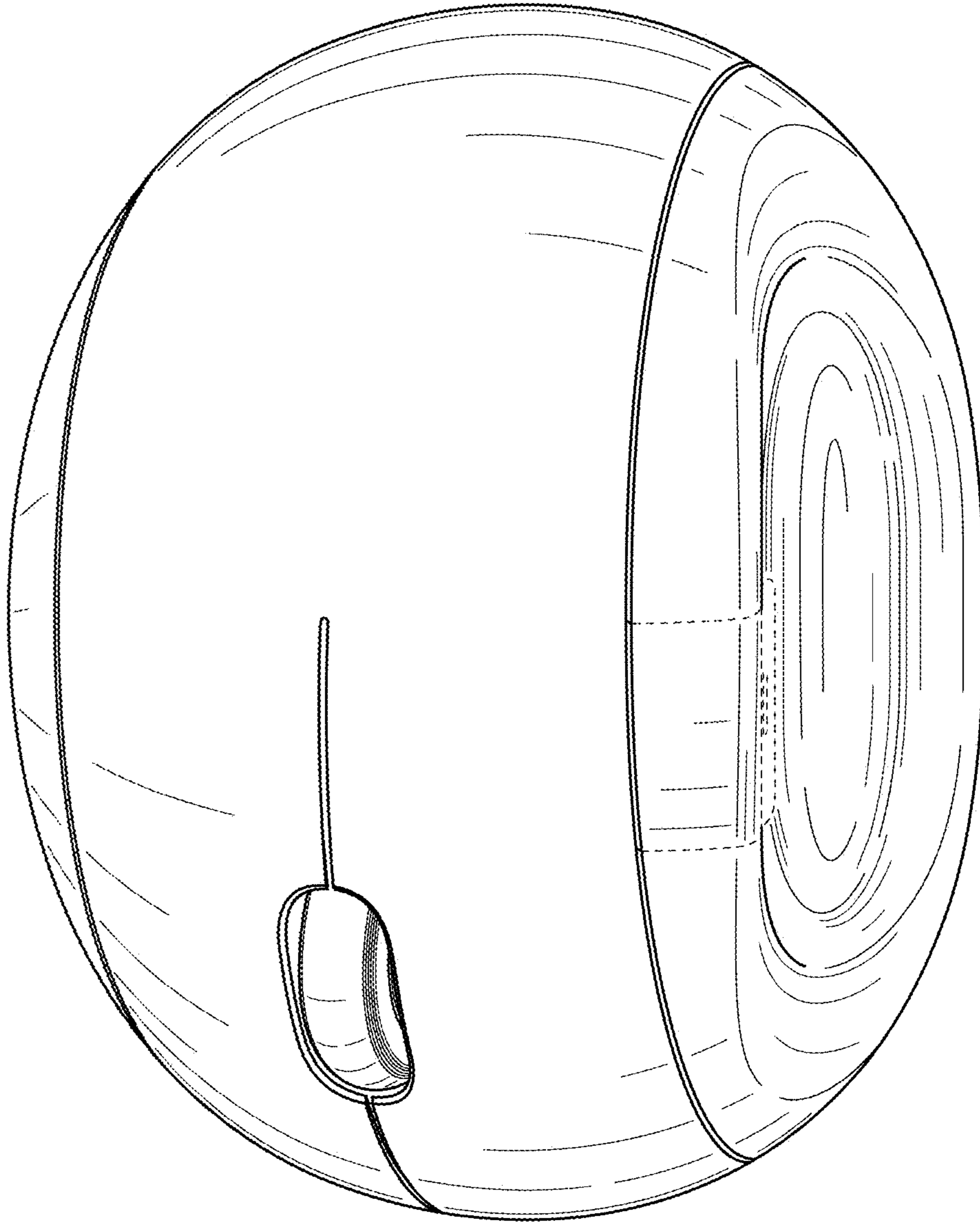


FIG. 13

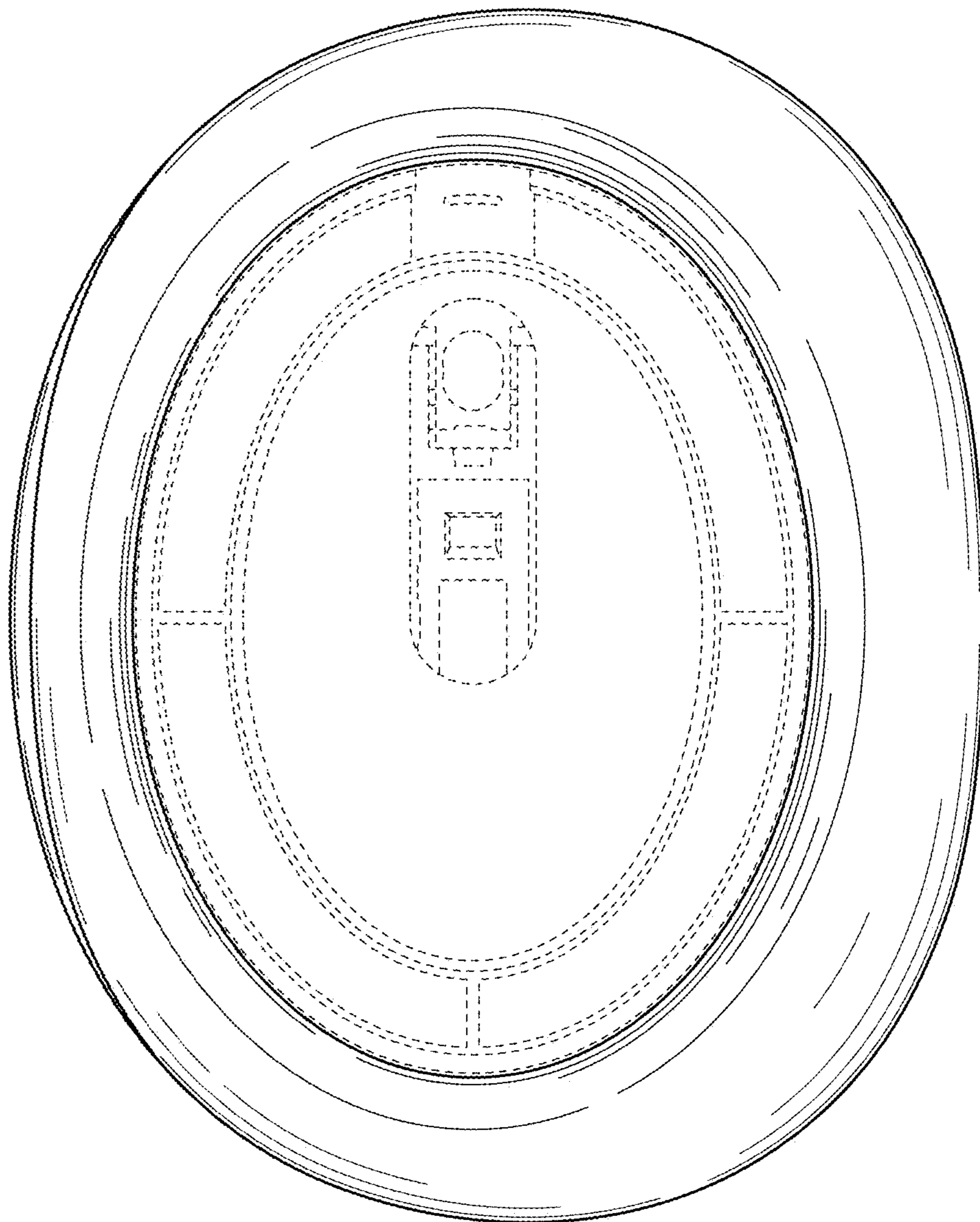


FIG. 14