



US00D710849S

(12) **United States Design Patent**  
**Jung**

(10) **Patent No.:** **US D710,849 S**

(45) **Date of Patent:** **\*\* Aug. 12, 2014**

(54) **MONITOR**

(71) Applicant: **Samsung Electronics Co., Ltd.**,  
Suwon-si (KR)

(72) Inventor: **Dae-Hun Jung**, Seoul (KR)

(73) Assignee: **Samsung Electronics Co., Ltd.**,  
Suwon-si (KR)

(\*\*) Term: **14 Years**

(21) Appl. No.: **29/457,606**

(22) Filed: **Jun. 11, 2013**

(30) **Foreign Application Priority Data**

Dec. 12, 2012 (KR) ..... 30-2012-0060023

(51) **LOC (10) Cl.** ..... **14-02**

(52) **U.S. Cl.**  
USPC ..... **D14/374**

(58) **Field of Classification Search**

CPC ..... F16M 11/08; G06F 1/1601  
USPC ..... D14/371-376, 125-129, 317, 331, 336,  
D14/337; D6/308; 349/1, 2, 11;  
248/917-924, 176.1, 278.1; 345/104,  
345/156, 173, 174, 901-905; 348/180, 184,  
348/325, 739; 361/679.01, 679.08, 679.21,  
361/679.23

See application file for complete search history.

(56) **References Cited**

U.S. PATENT DOCUMENTS

D610,143 S \* 2/2010 Park et al. .... D14/374  
D619,979 S \* 7/2010 Lee et al. .... D14/126  
D635,140 S \* 3/2011 Tsai et al. .... D14/374  
D635,975 S \* 4/2011 Seo et al. .... D14/374  
D657,790 S \* 4/2012 Lee et al. .... D14/374  
2012/0155004 A1 \* 6/2012 Yukawa et al. .... 361/679.21  
2012/0176752 A1 \* 7/2012 Yoon ..... 361/748

\* cited by examiner

*Primary Examiner* — Freda S Nunn

(74) *Attorney, Agent, or Firm* — NSIP Law

(57) **CLAIM**

The ornamental design for a monitor, as shown and described.

**DESCRIPTION**

FIG. 1 is a perspective view of a monitor, showing my new design;

FIG. 2 is a front view thereof;

FIG. 3 is a rear view thereof;

FIG. 4 is a left-side view thereof;

FIG. 5 is a right-side view thereof;

FIG. 6 is a top plan view thereof; and,

FIG. 7 is a bottom plan view thereof.

The shade lines in the figures show contour and not surface ornamentation. The diagonal lines in FIGS. 1 and 2 represent a reflective surface.

**1 Claim, 5 Drawing Sheets**

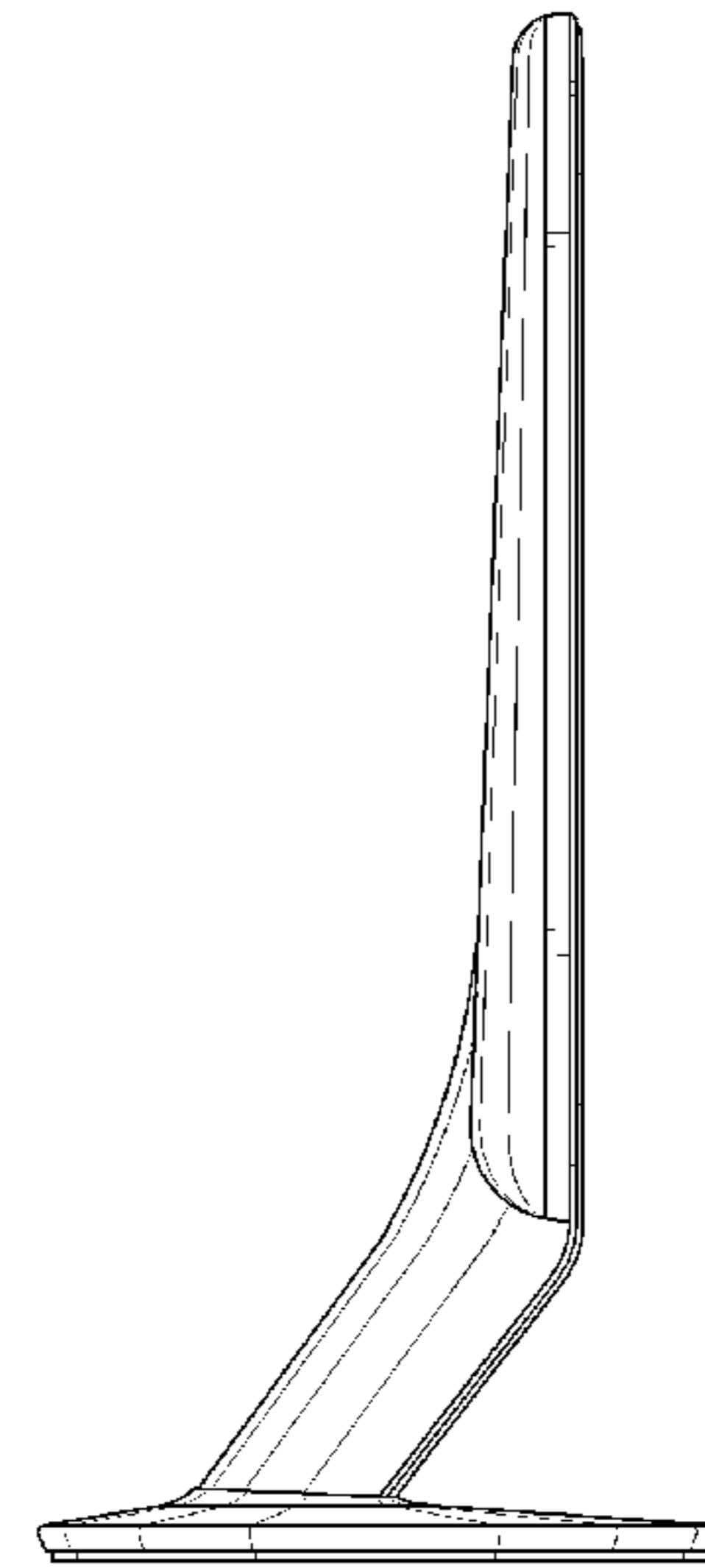
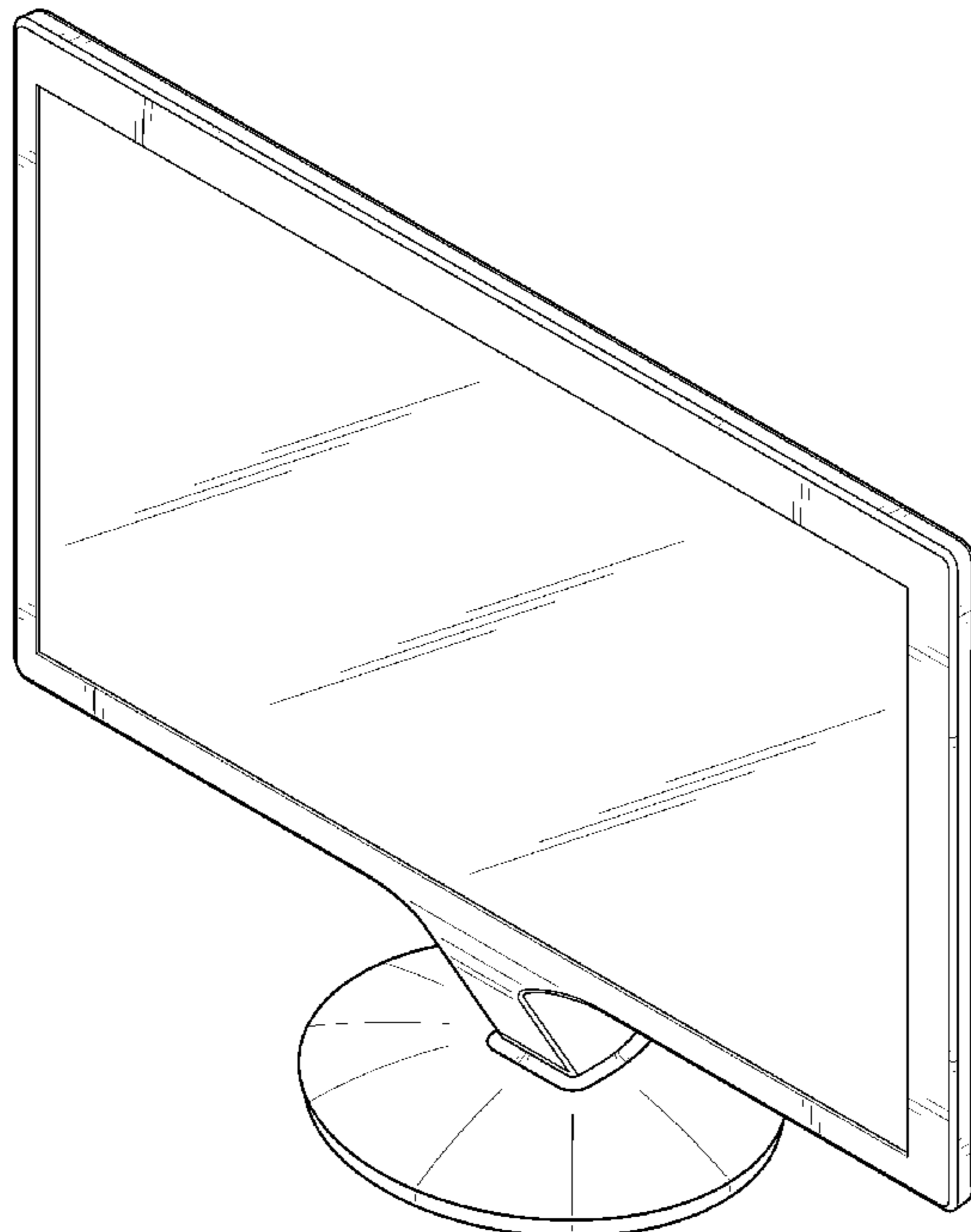


FIG. 1

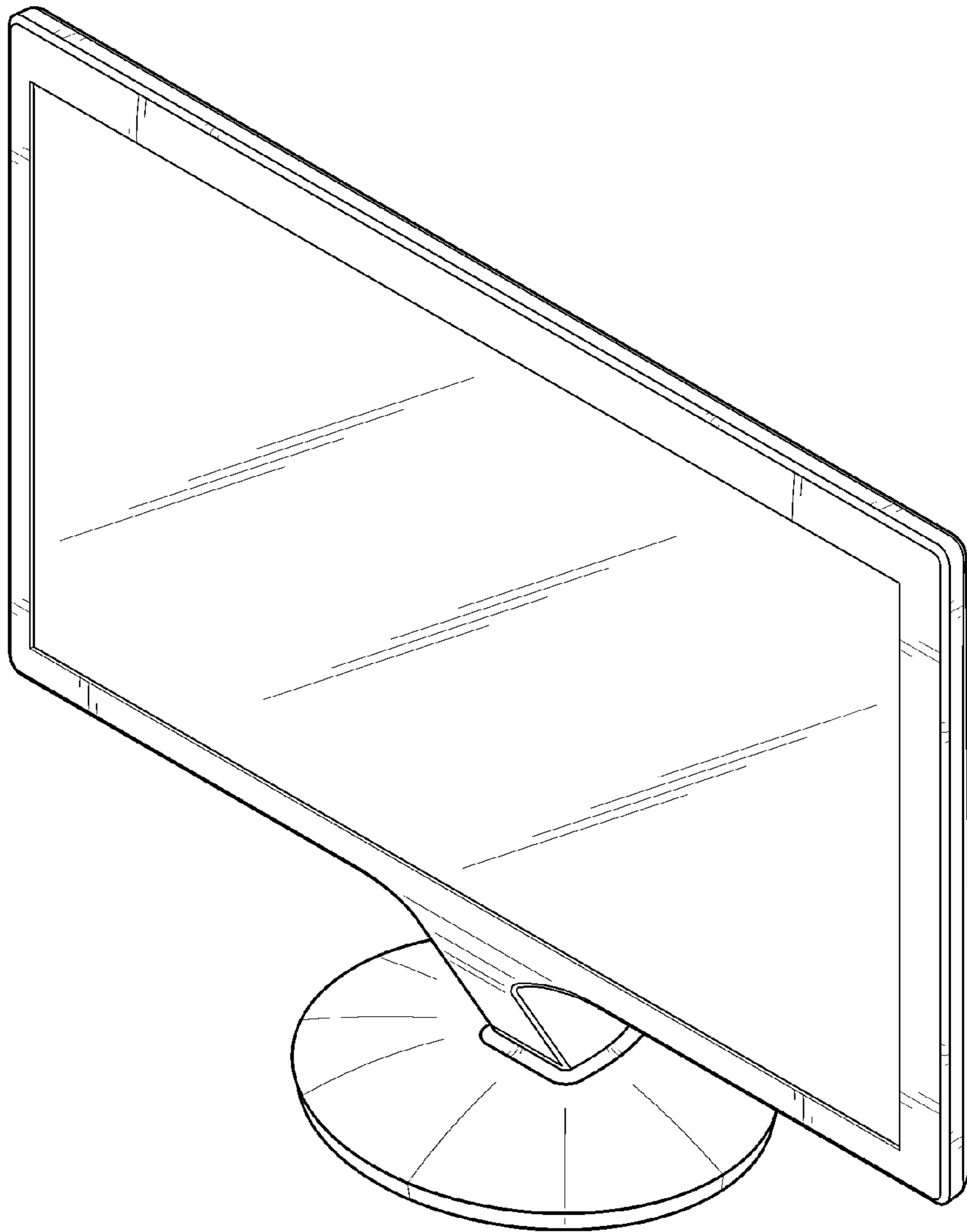


FIG. 2

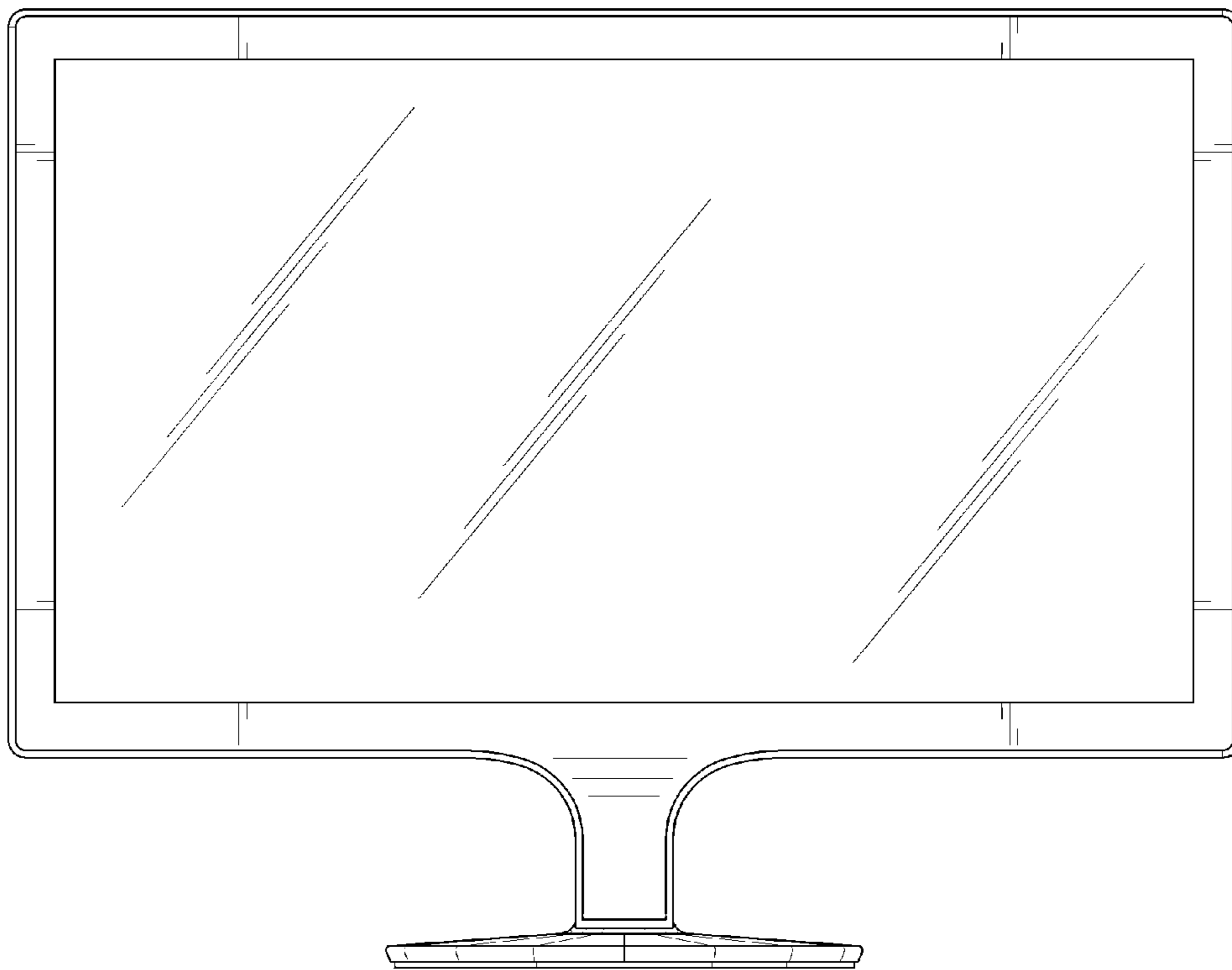


FIG. 3

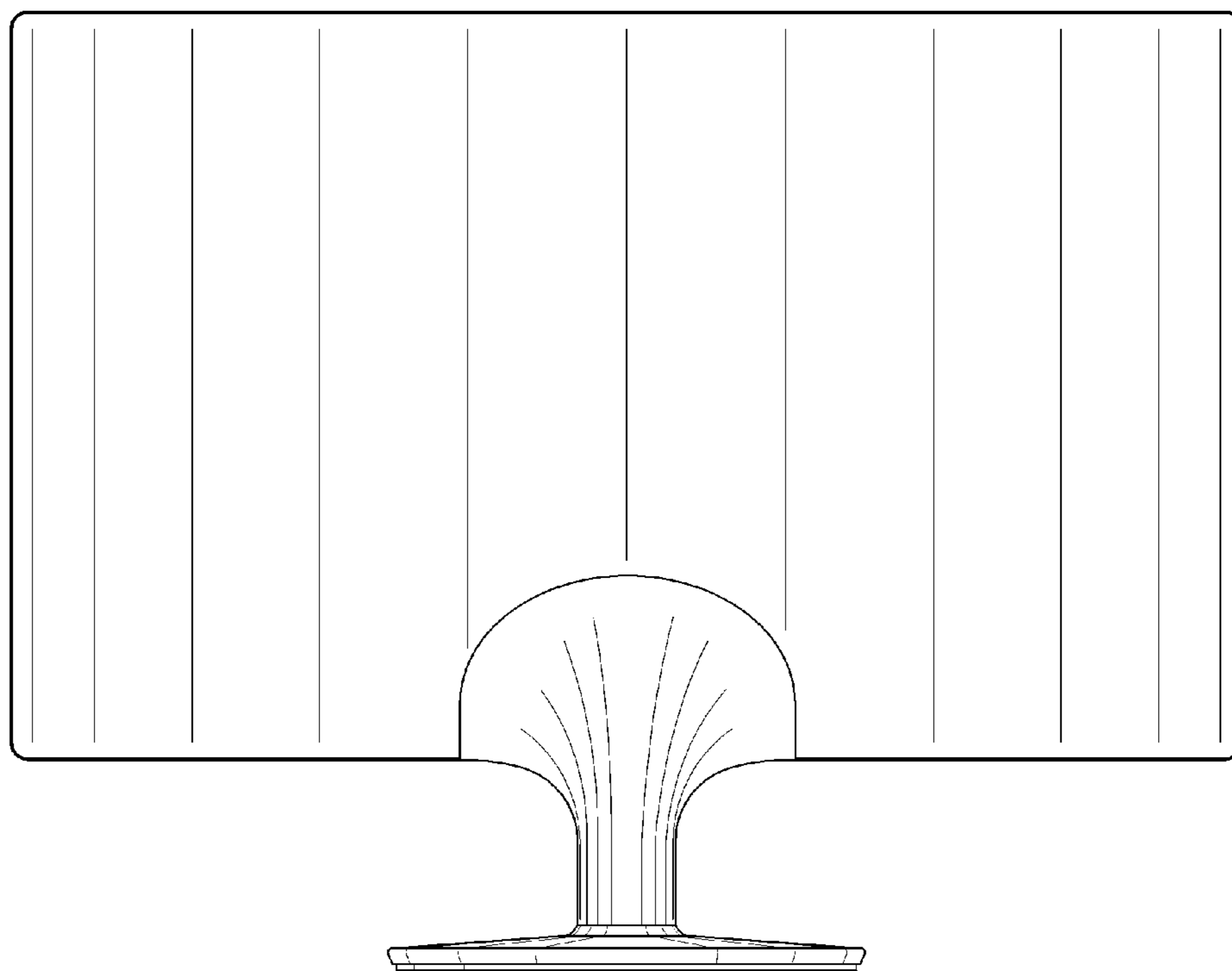


FIG. 4

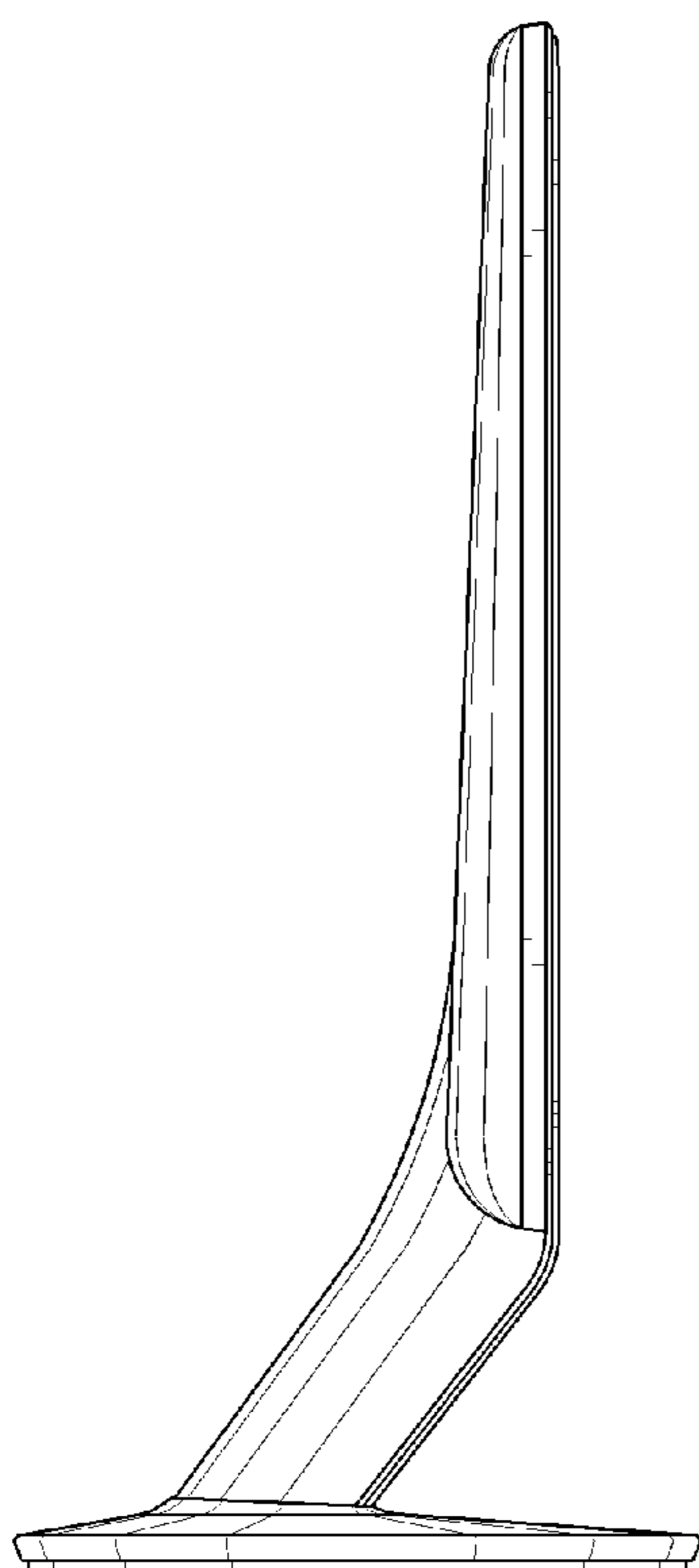


FIG. 5

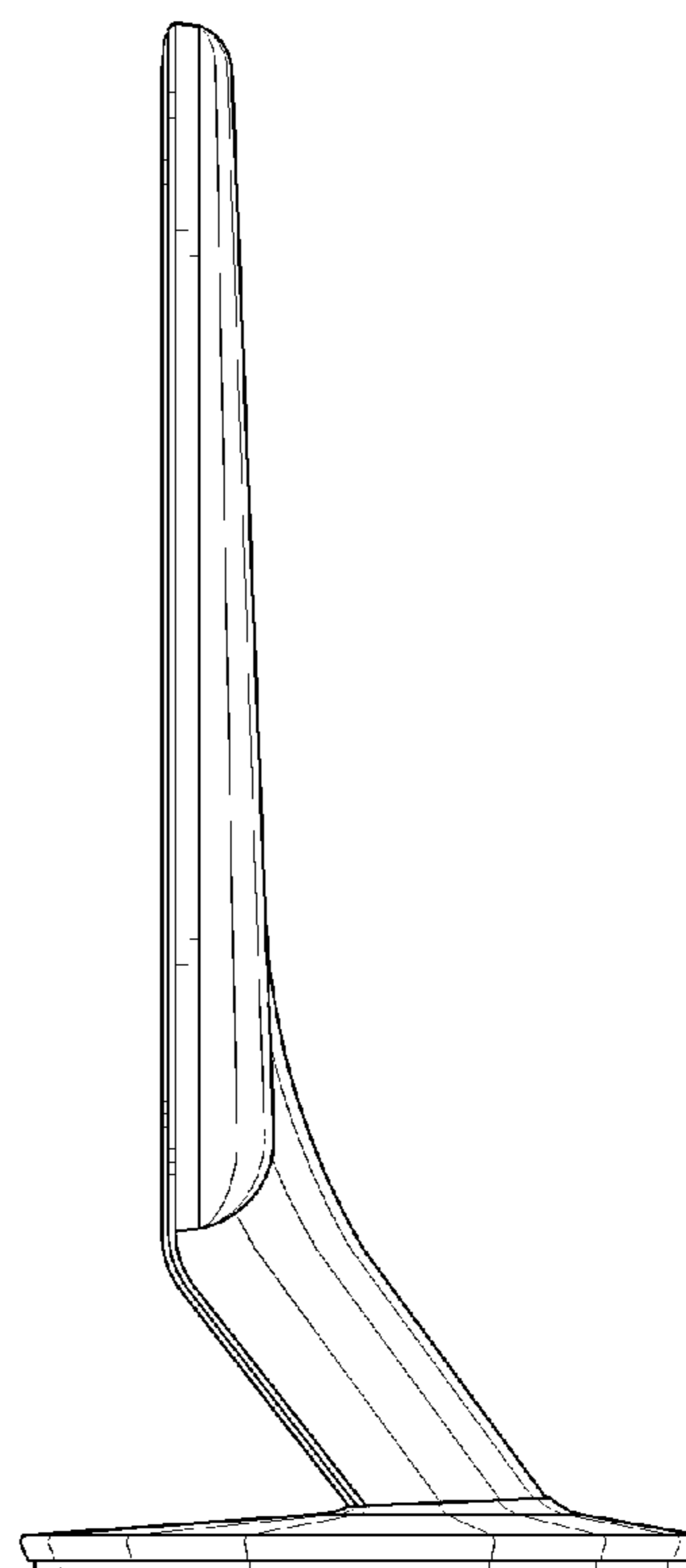


FIG. 6

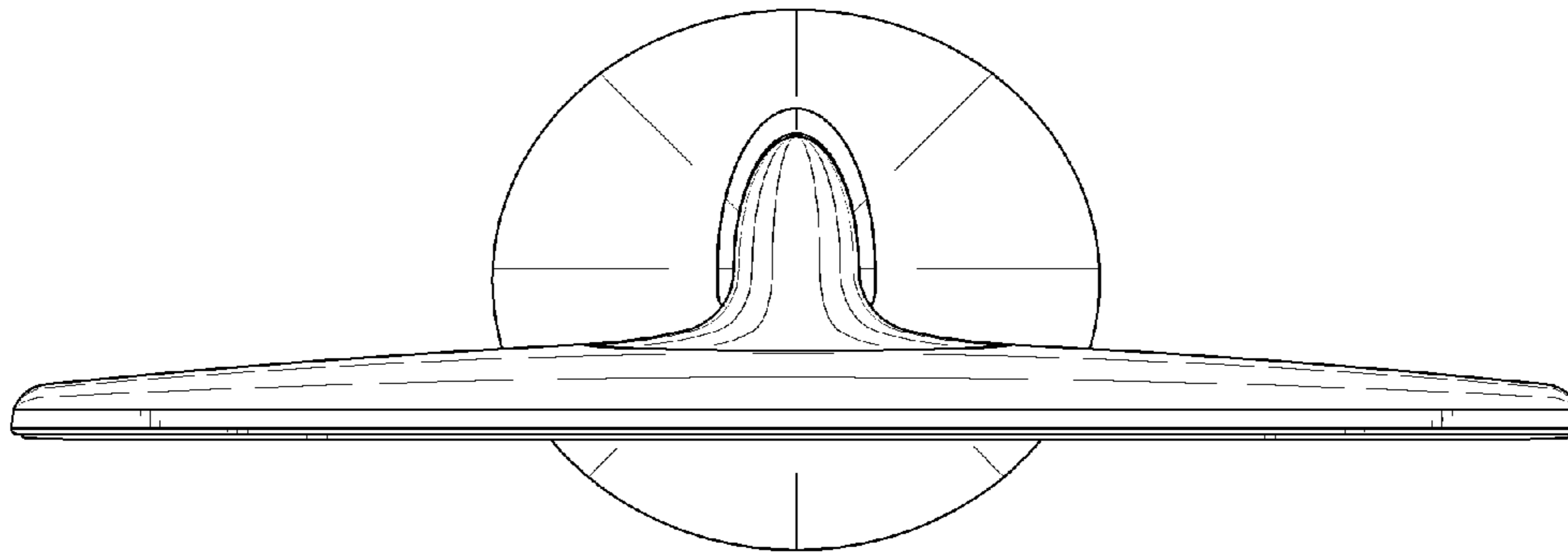


FIG. 7

