



US00D710848S

(12) **United States Design Patent**
Paulsen

(10) **Patent No.:** **US D710,848 S**

(45) **Date of Patent:** **** Aug. 12, 2014**

(54) **CONSOLE**

(71) Applicant: **Prox Dynamics AS**, Nesbru (NO)

(72) Inventor: **Dag Henning Paulsen**, Vøyenenga (NO)

(73) Assignee: **Prox Dynamics AS**, Nesbru (NO)

(**) Term: **14 Years**

(21) Appl. No.: **29/443,433**

(22) Filed: **Jan. 17, 2013**

(51) **LOC (10) Cl.** **14-02**

(52) **U.S. Cl.**
USPC **D14/371; D14/341**

(58) **Field of Classification Search**
CPC G06F 3/037
USPC D14/371-375, 125-129, 336, 337,
D14/341-346; 341/12; 345/104, 156, 168,
345/173; 348/180, 184, 325, 739; 349/1, 2,
349/11, 62; 361/679.05-679.07, 679.21;
D6/300, 308

See application file for complete search history.

(56) **References Cited**

U.S. PATENT DOCUMENTS

D361,552 S *	8/1995	Iino	D14/341
D392,947 S *	3/1998	Iino	D14/346
D418,117 S *	12/1999	Wade et al.	D14/342
D432,124 S *	10/2000	Pardikes et al.	D14/336
D463,419 S *	9/2002	Russmann et al.	D14/336
D491,560 S *	6/2004	Hsu Li	D14/371
D525,973 S *	8/2006	Julian et al.	D14/371
D582,917 S *	12/2008	Wada	D14/371

* cited by examiner

Primary Examiner — Freda S Nunn

(74) *Attorney, Agent, or Firm* — Oblon, Spivak,
McClelland, Maier & Neustadt, L.L.P.

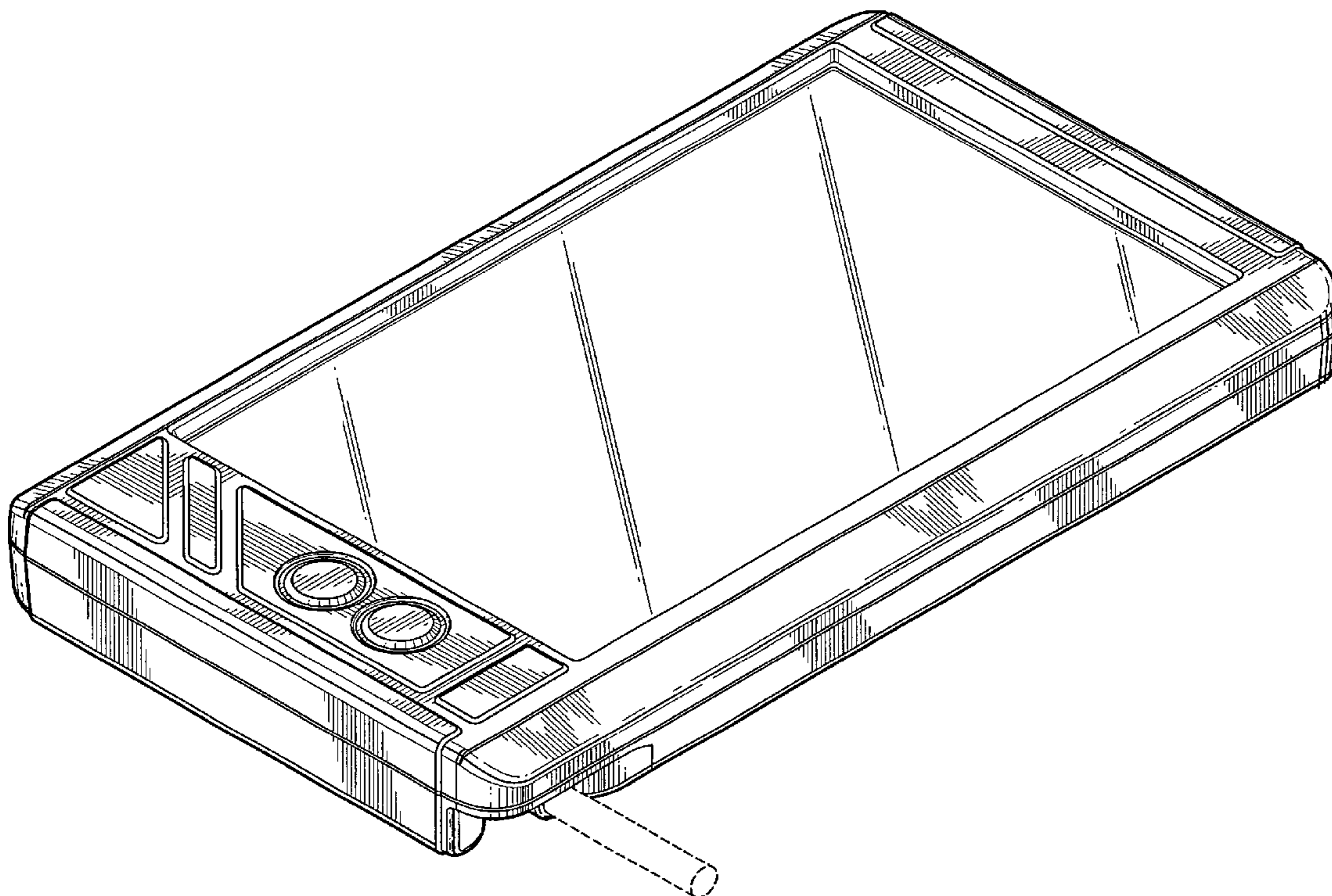
(57) **CLAIM**

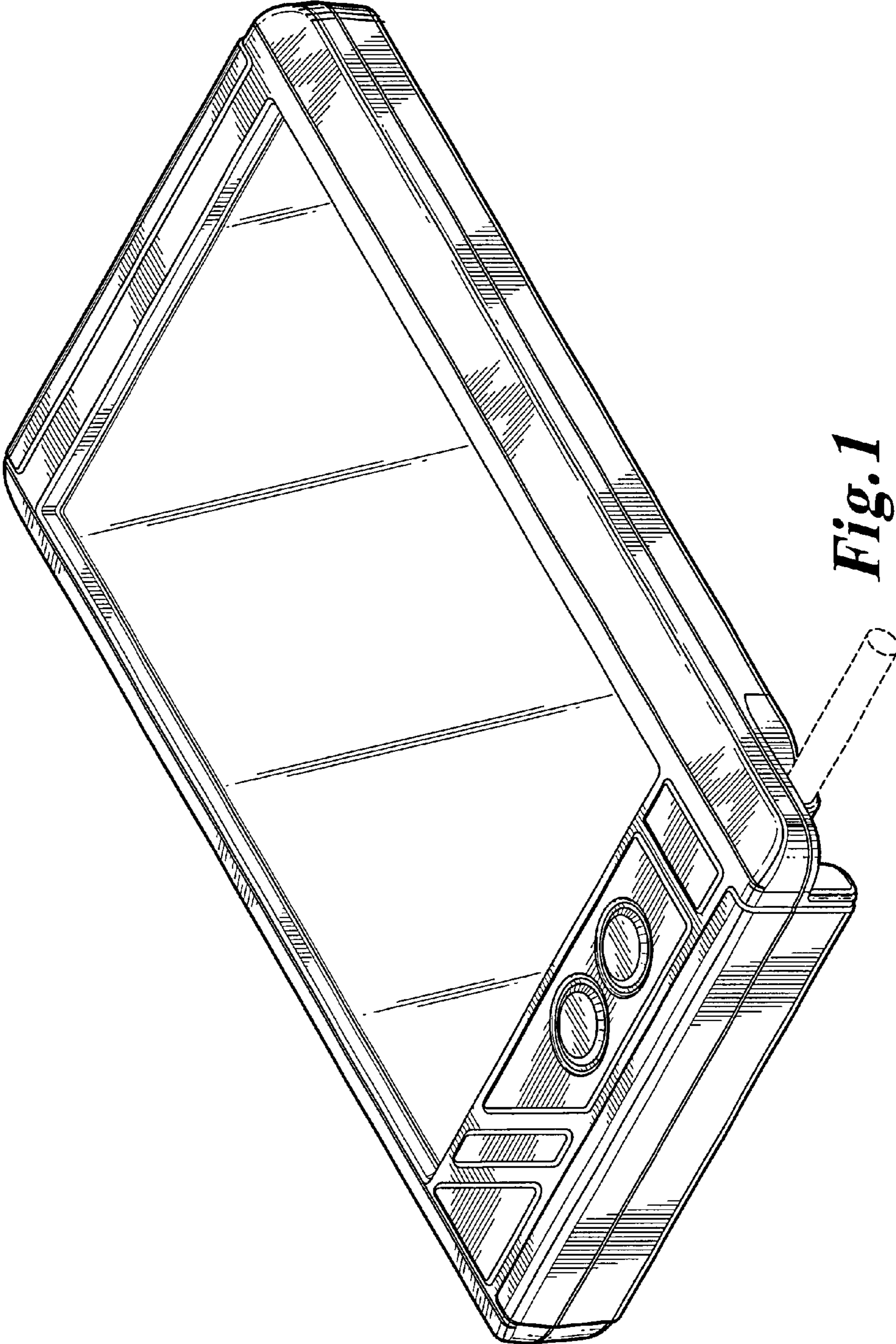
The ornamental design for a console, as shown and described.

DESCRIPTION

FIG. 1 is a front, bottom, and left side perspective view of a console;
FIG. 2 is a front elevational view thereof;
FIG. 3 is a top plan view thereof;
FIG. 4 is a bottom plan view thereof;
FIG. 5 is a left side elevational view thereof; and,
FIG. 6 is a right side elevational view thereof.
The broken lines in the drawings depict environmental subject matter only and form no part of the claimed design.

1 Claim, 6 Drawing Sheets





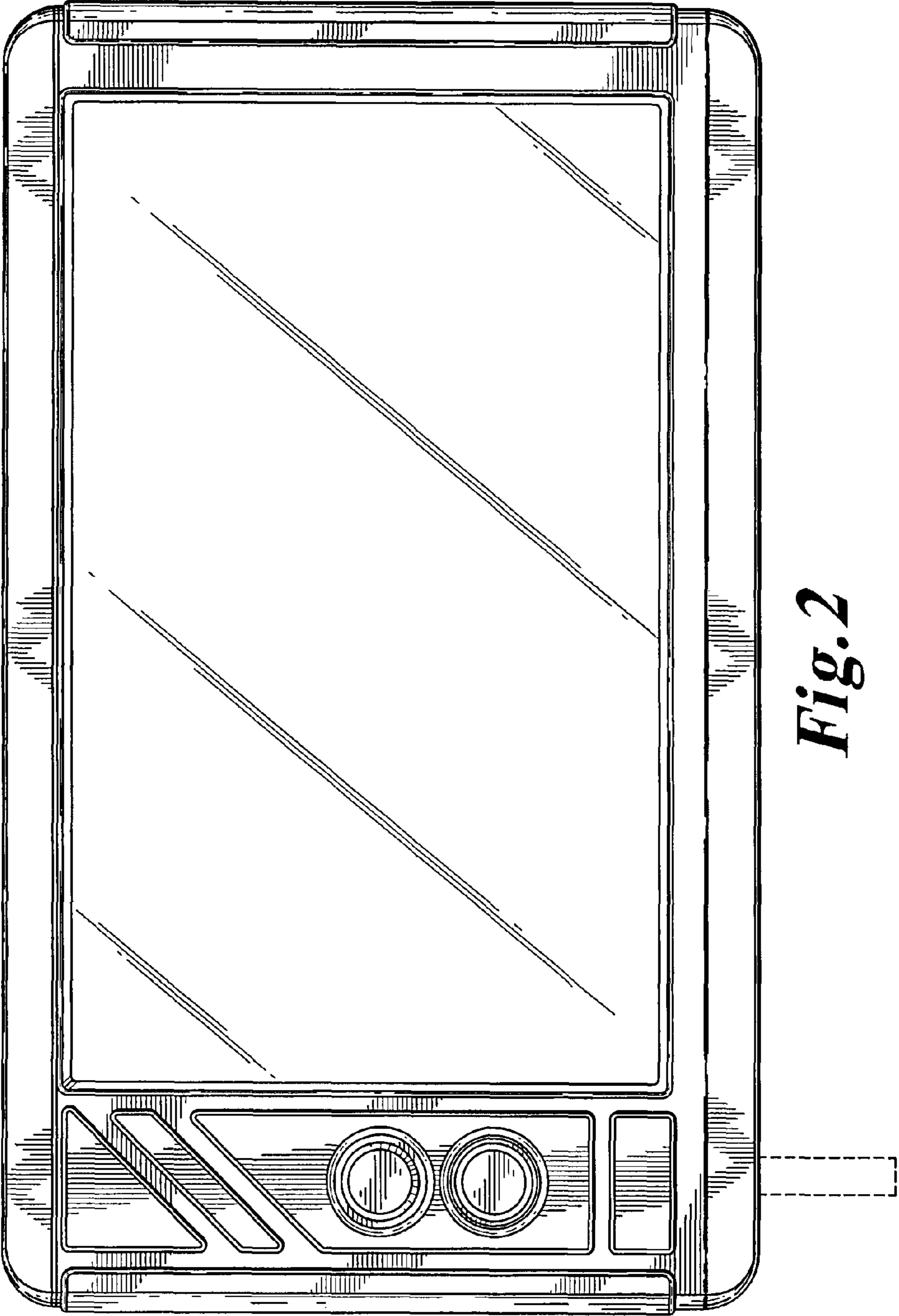


Fig. 2

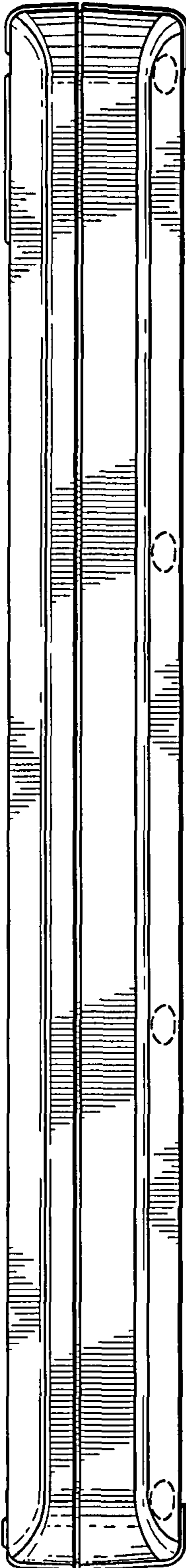


Fig. 3

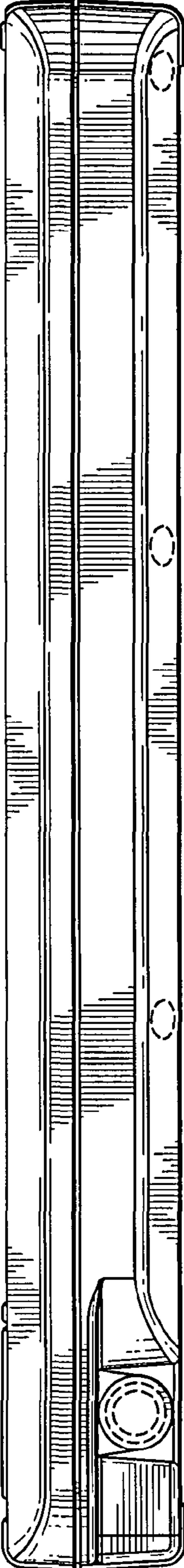


Fig. 4

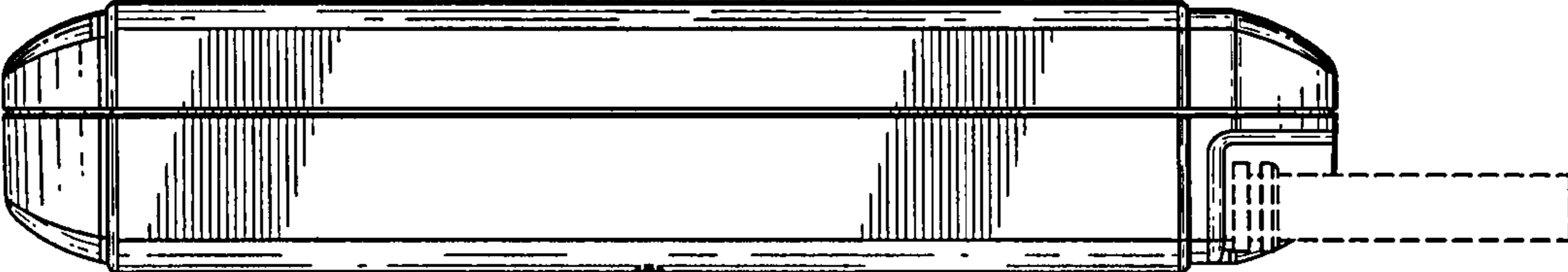


Fig. 5

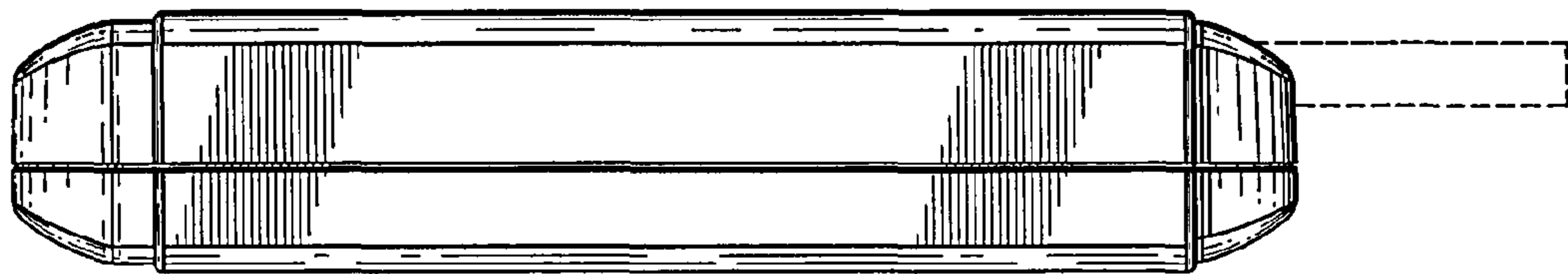


Fig. 6