



US00D710847S

(12) **United States Design Patent**
Ozolins et al.

(10) **Patent No.:** **US D710,847 S**
(45) **Date of Patent:** **** Aug. 12, 2014**

- (54) **FLAT PANEL DISPLAY**
- (71) Applicant: **Bloomberg Finance L.P.**, New York, NY (US)
- (72) Inventors: **Helmars E. Ozolins**, Orient, NY (US); **Roland L. Dema-ala**, New York, NY (US); **Avram N. Kaufman**, New York, NY (US); **Masamichi Udagawa**, New York, NY (US); **Sigrid G. Moeslinger**, New York, NY (US); **Peter D. Scott**, Romulus, NY (US)
- (73) Assignee: **Bloomberg Finance L.P.**, New York, NY (US)
- (**) Term: **14 Years**
- (21) Appl. No.: **29/440,886**
- (22) Filed: **Dec. 28, 2012**
- (51) **LOC (10) Cl.** **14-02**
- (52) **U.S. Cl.**
USPC **D14/371**; D14/128
- (58) **Field of Classification Search**
USPC D14/371-375, 125-129, 133, 336, 337; 341/12; 345/104, 156, 168, 173; 348/180, 184, 325, 739; 349/1, 2, 11, 349/62; 361/679.05-679.07, 679.21; D6/300, 308; D18/4.4, 4.6, 12.3
See application file for complete search history.

7,549,246	B2	6/2009	Kuo	
7,607,620	B2	10/2009	Ozolins et al.	
7,640,866	B1	1/2010	Schermerhorn	
D609,658	S *	2/2010	Kim et al.	D14/126
7,731,143	B2	6/2010	Muday et al.	
D620,461	S *	7/2010	Han et al.	D14/126
7,760,493	B2	7/2010	Liou et al.	
7,876,568	B2	1/2011	Chikazawa et al.	
7,889,484	B2	2/2011	Choi	
D634,722	S *	3/2011	Kim et al.	D14/126
7,959,311	B2	6/2011	Li et al.	
D641,721	S *	7/2011	Moscovitch et al.	D14/125
8,047,490	B2	11/2011	Xing	
2006/0164378	A1	7/2006	Phillips et al.	
2006/0266903	A1 *	11/2006	Oddsden et al.	248/274.1
2007/0159778	A1	7/2007	Lin et al.	
2008/0123266	A1	5/2008	Hung	
2009/0040703	A1	2/2009	Gotham et al.	
2009/0096941	A1	4/2009	Chen	
2009/0231797	A1	9/2009	Kim	
2009/0257136	A1	10/2009	Liu	
2010/0146766	A1	6/2010	Dabov et al.	
2011/0164365	A1	7/2011	McClure et al.	
2011/0291955	A1	12/2011	Tang et al.	

FOREIGN PATENT DOCUMENTS

DE 29702104 U1 4/1997

OTHER PUBLICATIONS

Aopen, Modt 46 Digital Signage Display, <http://aopen.jp/products/display/DSD46-VE>, Retrieved Mar. 13, 2014.

Chris Martin, AOC launches its Touch Monitor e2239fw, the Inquirer (Thursday, Jun. 23, 2011, 17:41) theinquirer.net/inquirer/news/2081325/aoc-launches-touch-monitor-e2239fw Retrieved Dec. 7, 2011.

Oleg Artamonov, Samsung SyncMaster SA950 Monitor 3D Beauty, p. 2, Xbit Laboratories (Jun. 30, 2011 02:50 PM), www.xbitlabs.com/articles/monitors/display/samsung-sa950_2.html Retrieved Dec. 7, 2011.

Acer, Acer S273HL bmii 27" Full HD LED Monitor, Amazon.com/Acer-S273HL-bmii-Full-Monitor/dp/B00439563A, Retrieved Dec. 7, 2011.

* cited by examiner

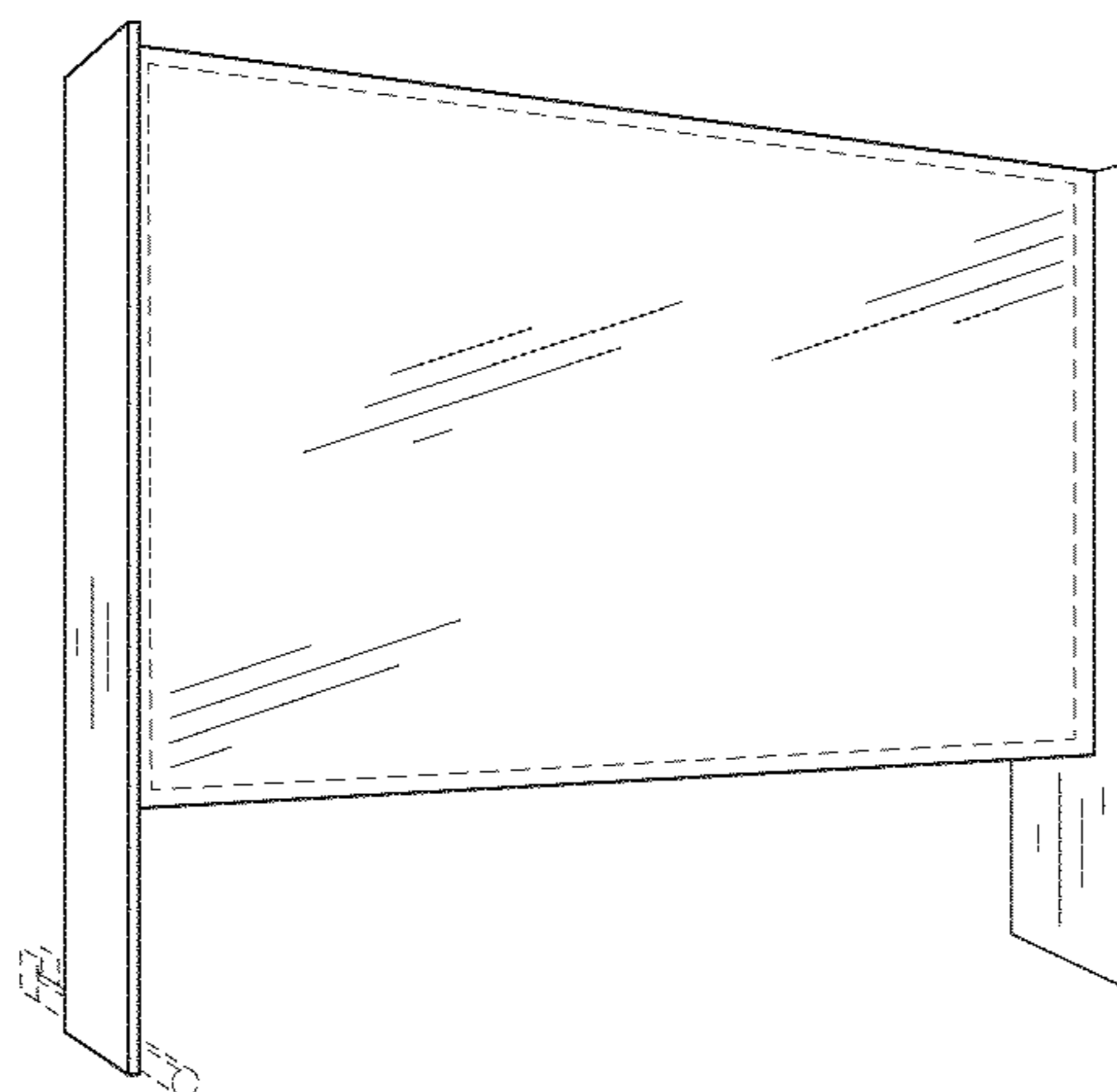
Primary Examiner — Freda S Nunn

(74) *Attorney, Agent, or Firm* — Frank J. DeRosa; Frommer Lawrence & Haug LLP

(56) **References Cited**

U.S. PATENT DOCUMENTS

5,900,848	A	5/1999	Haneda et al.	
6,561,668	B2	5/2003	Katayama et al.	
D492,684	S	7/2004	Ozolins et al.	
D496,362	S	9/2004	Ozolins et al.	
D496,363	S	9/2004	Ozolins et al.	
6,919,678	B2	7/2005	Ozolins et al.	
6,985,356	B2	1/2006	Wang	
D525,595	S *	7/2006	Hoehn et al.	D14/126
D529,490	S *	10/2006	Jackson, Jr.	D14/341
D546,824	S *	7/2007	Jackson, Jr.	D14/341
7,436,657	B2	10/2008	Motai et al.	



(57)

CLAIM

The ornamental design for a flat panel display, as shown and described.

DESCRIPTION

FIG. 1 is a front perspective view of our design for a flat panel display;
 FIG. 2 is a top view thereof;
 FIG. 3 is a front view thereof;
 FIG. 4 is a bottom view thereof;
 FIG. 5 is a rear view thereof;
 FIG. 6 is a left side view thereof;
 FIG. 7 is a right side view thereof;
 FIG. 8 is a bottom view of a second embodiment thereof, in which the front perspective, top, front, rear, left side, and right side views are the same as those in FIGS. 1, 2, 3, 5, 6, and 7, respectively;
 FIG. 9 is a rear view of a third embodiment thereof, in which the front perspective, top, front, bottom, left side, and right side views are the same as those in FIGS. 1, 2, 3, 4, 6, and 7 respectively;
 FIG. 10 is a front perspective view of a fourth embodiment thereof;
 FIG. 11 is a top view thereof;
 FIG. 12 is a front view thereof;
 FIG. 13 is a bottom view thereof;
 FIG. 14 is a rear view thereof;
 FIG. 15 is a left side view thereof;
 FIG. 16 is a right side view thereof;
 FIG. 17 is a bottom view of a fifth embodiment thereof, in which the front perspective, top, front, rear, left side, and right side views are the same as those in FIGS. 10, 11, 12, 14, 15, and 16 respectively;
 FIG. 18 is a rear view of a sixth embodiment thereof, in which the front perspective, top, front, bottom, left side, and right side views are the same as those in FIGS. 10, 11, 12, 13, 15, and 16, respectively;

FIG. 19 is a front perspective view of a seventh embodiment thereof;
 FIG. 20 is a top view thereof;
 FIG. 21 is a front view thereof;
 FIG. 22 is a bottom view thereof;
 FIG. 23 is a rear view thereof;
 FIG. 24 is a left side view thereof;
 FIG. 25 is a right side view thereof;
 FIG. 26 is a bottom view of an eighth embodiment thereof, in which the front perspective, top, front, rear, left side, and right side views are the same as those in FIGS. 19, 20, 21, 23, 24, and 25, respectively;
 FIG. 27 is a rear view of a ninth embodiment thereof, in which the front perspective, top, front, bottom, left side, and right side views are the same as those in FIGS. 19, 20, 21, 22, 24, and 25, respectively;
 FIG. 28 is a front perspective view of a tenth embodiment thereof;
 FIG. 29 is a top view thereof;
 FIG. 30 is a front view thereof;
 FIG. 31 is a bottom view thereof;
 FIG. 32 is a rear view thereof;
 FIG. 33 is a left side view thereof;
 FIG. 34 is a right side view thereof;
 FIG. 35 is a bottom view of an eleventh embodiment thereof, in which the front perspective, top, front, rear, left side, and right side views are the same as those in FIGS. 28, 29, 30, 32, 33, 34, respectively; and,
 FIG. 36 is a rear view of a twelfth embodiment thereof, in which the front perspective, top, front, bottom, left side, and right side views are the same as those in FIGS. 28, 29, 30, 31, 33, and 34, respectively.
 The broken lines shown in FIGS. 1, 3, 10, 12, 19, 21, 28, 30 that are immediately surrounding the oblique lines are for the purpose of illustrating portions of the display panel and form no part of the claimed design, while all other broken lines in the figures are directed to environment and form no part of the claimed design.

1 Claim, 20 Drawing Sheets

FIG. 1

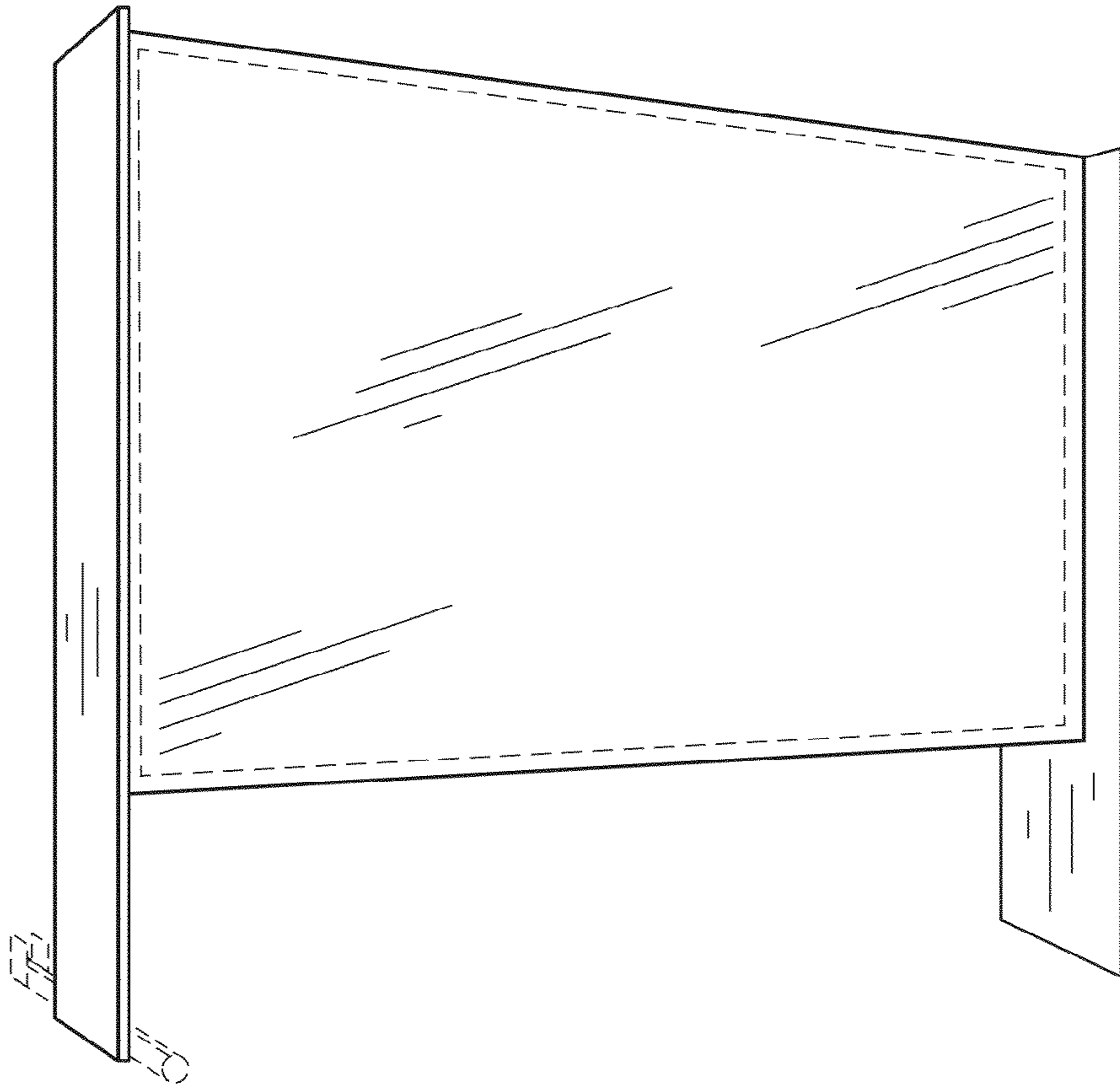


FIG. 2

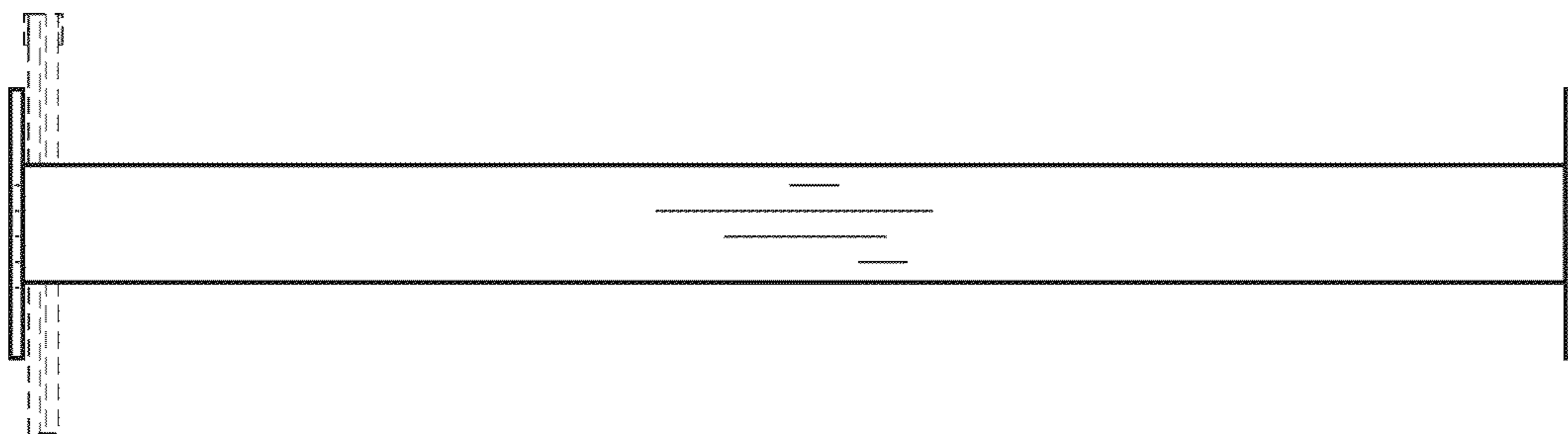


FIG. 3

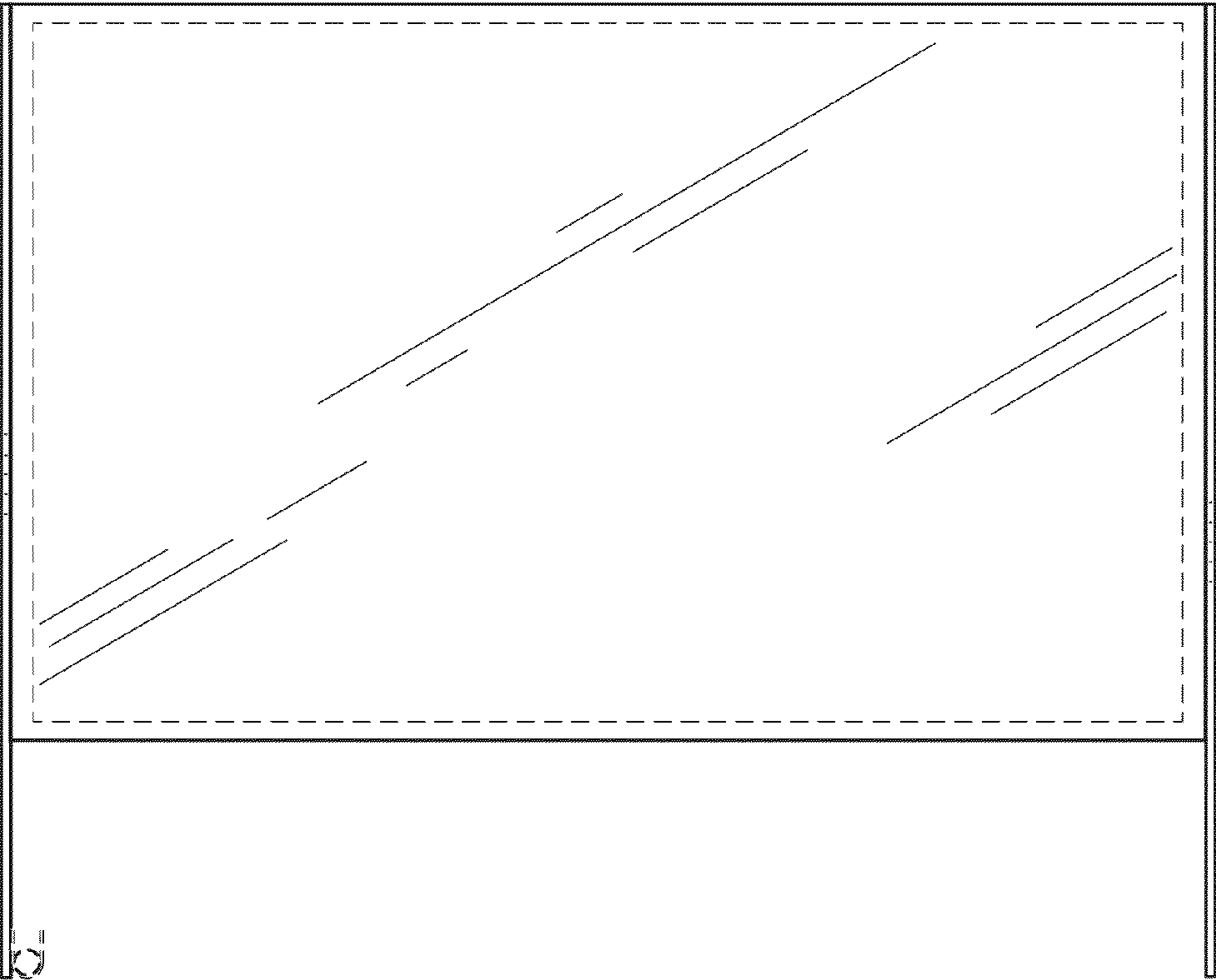


FIG. 4

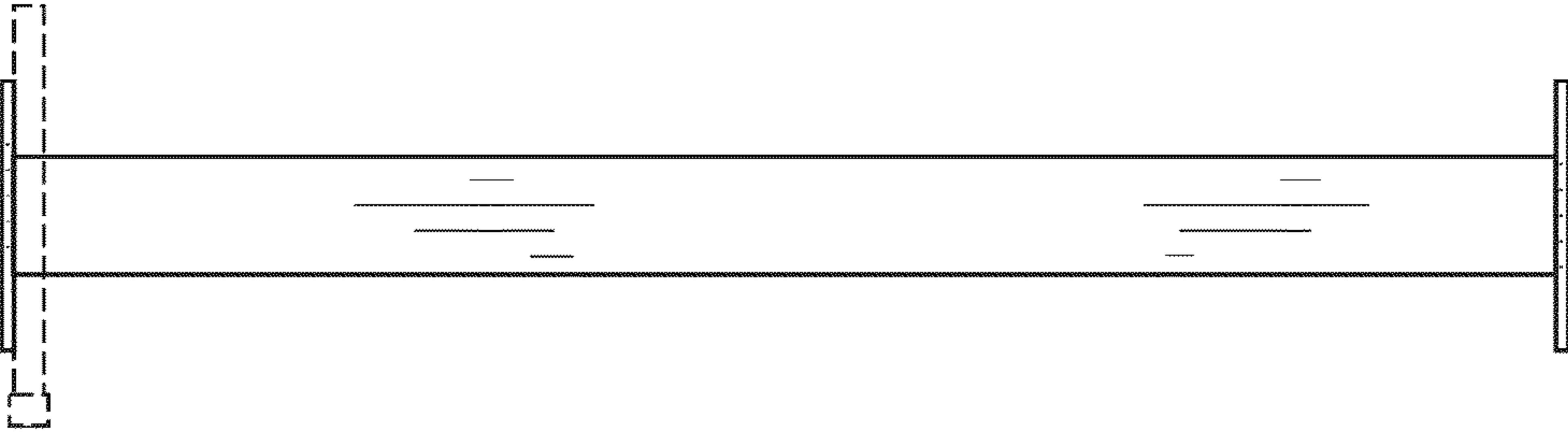


FIG. 5

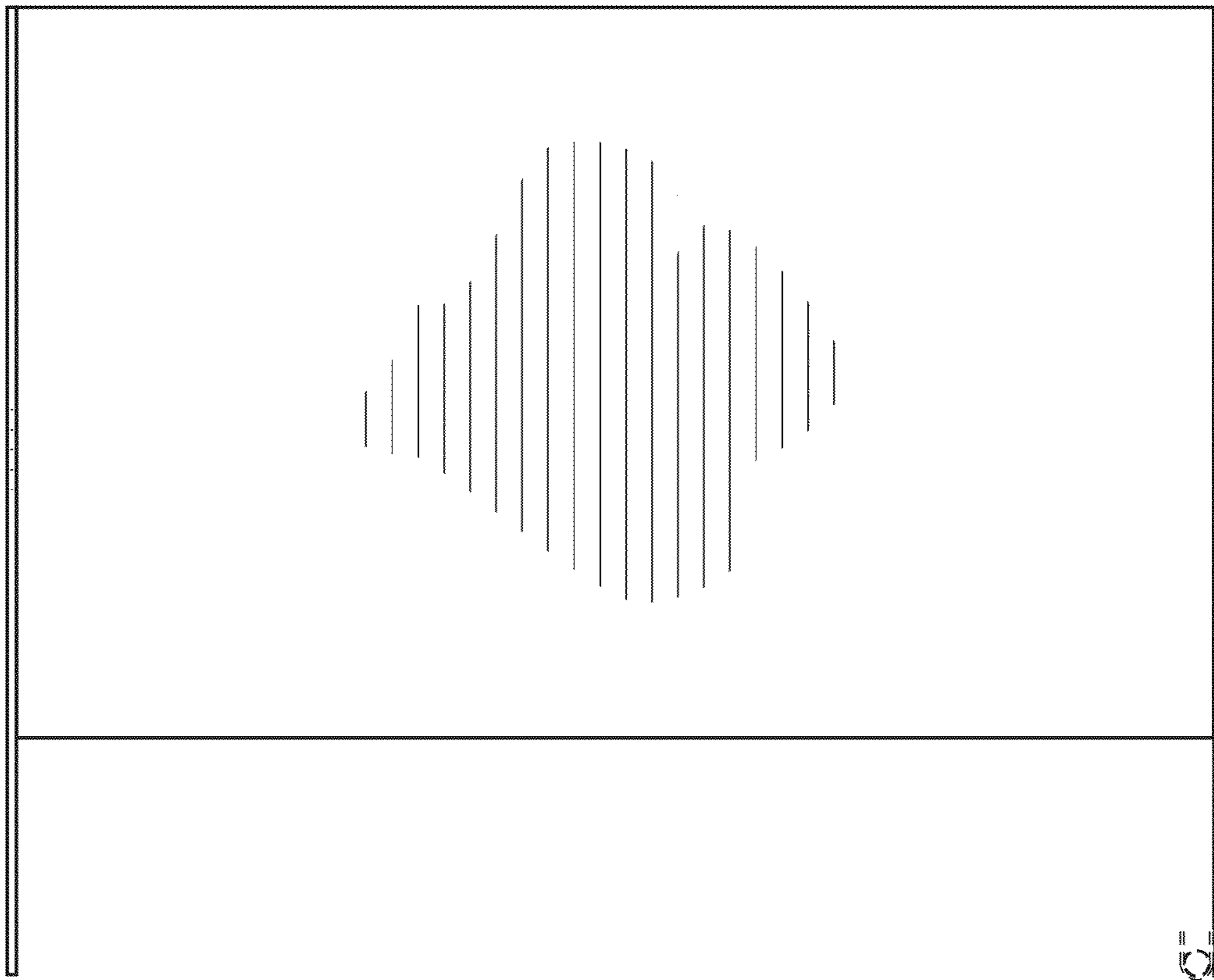


FIG. 6

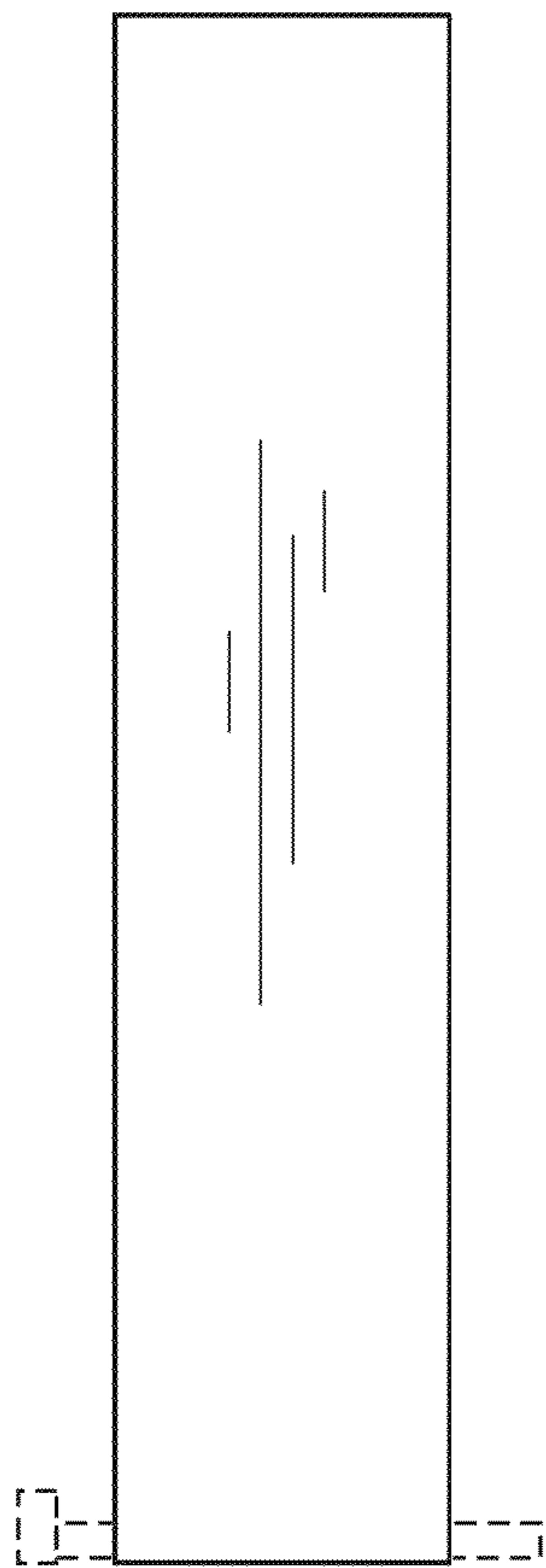


FIG. 7

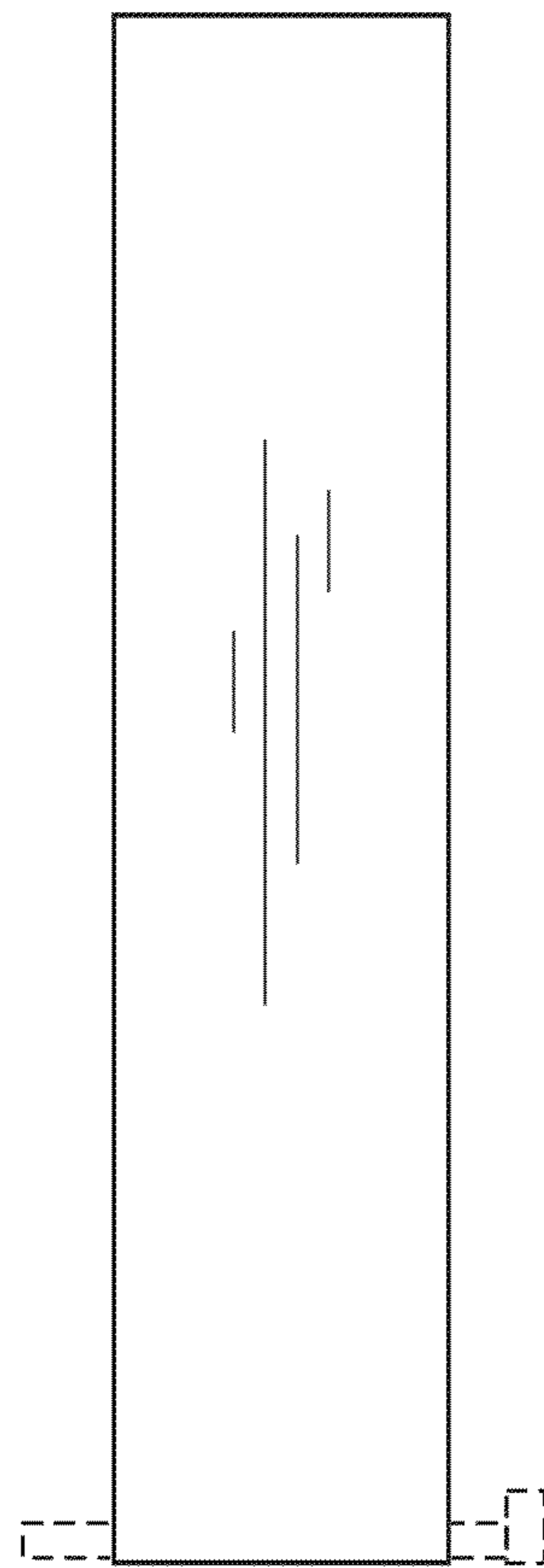


FIG. 8

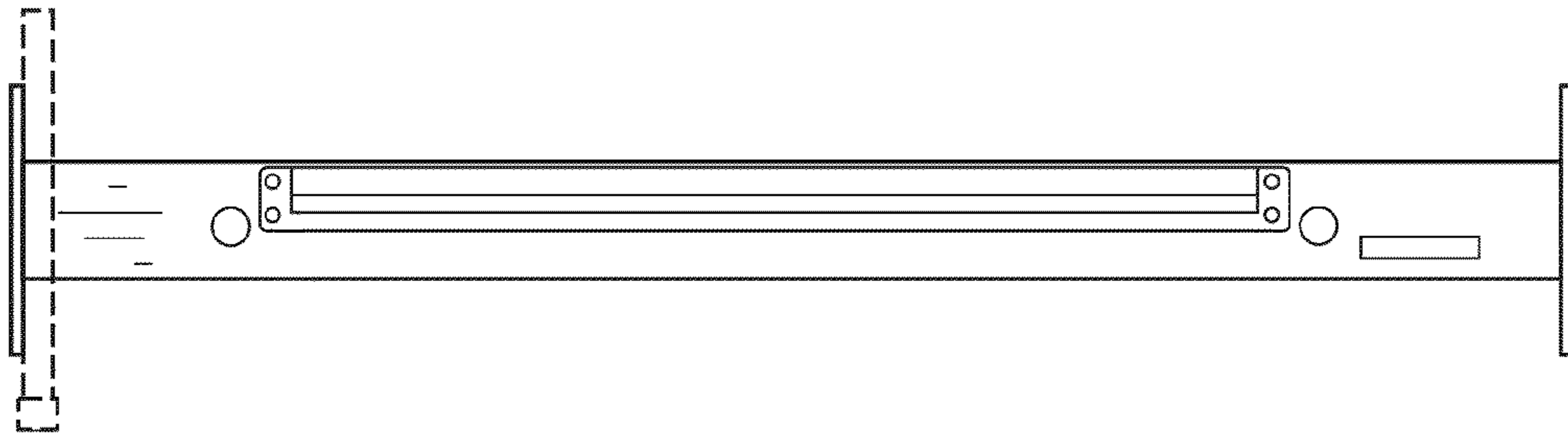


FIG. 9

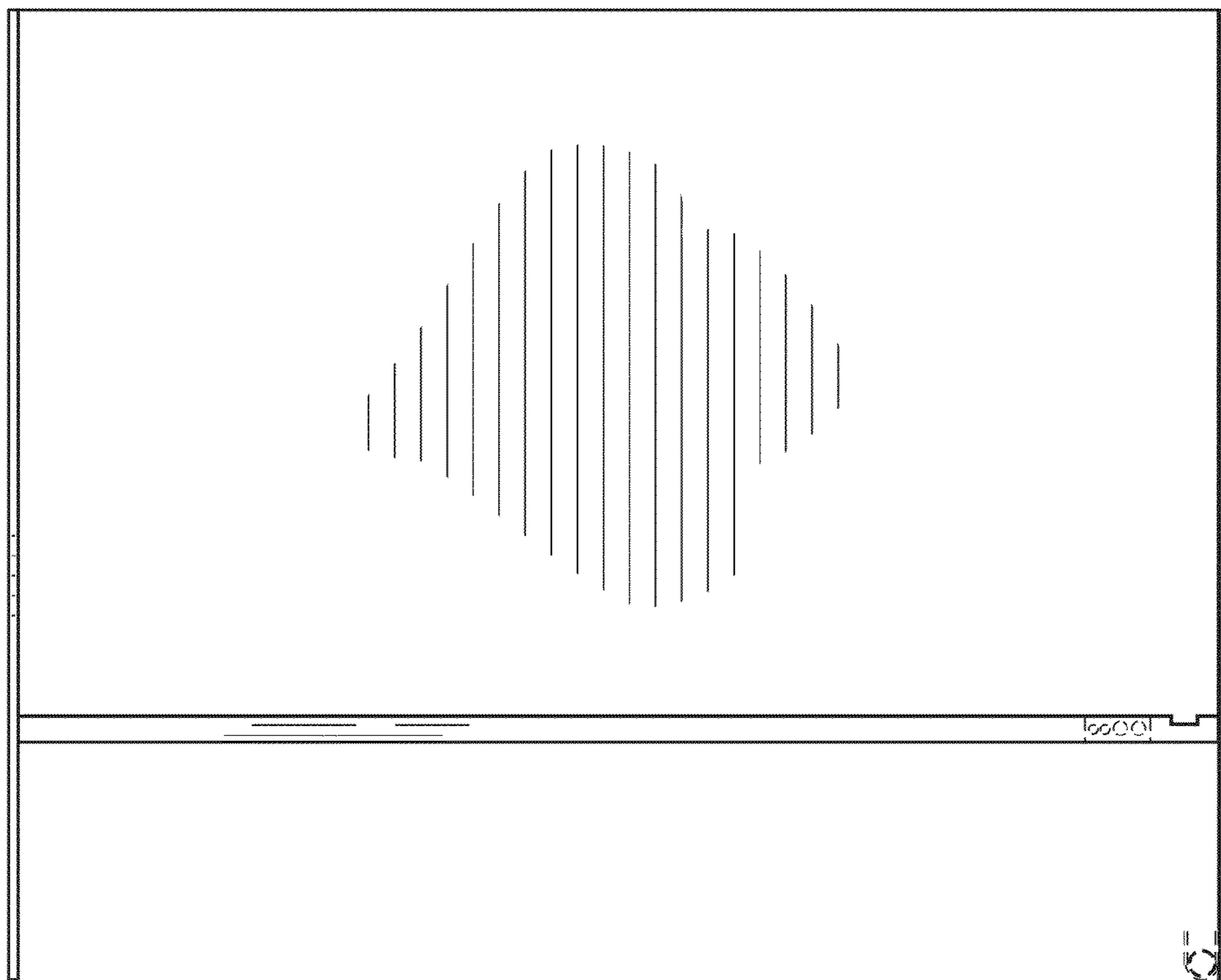


FIG. 10

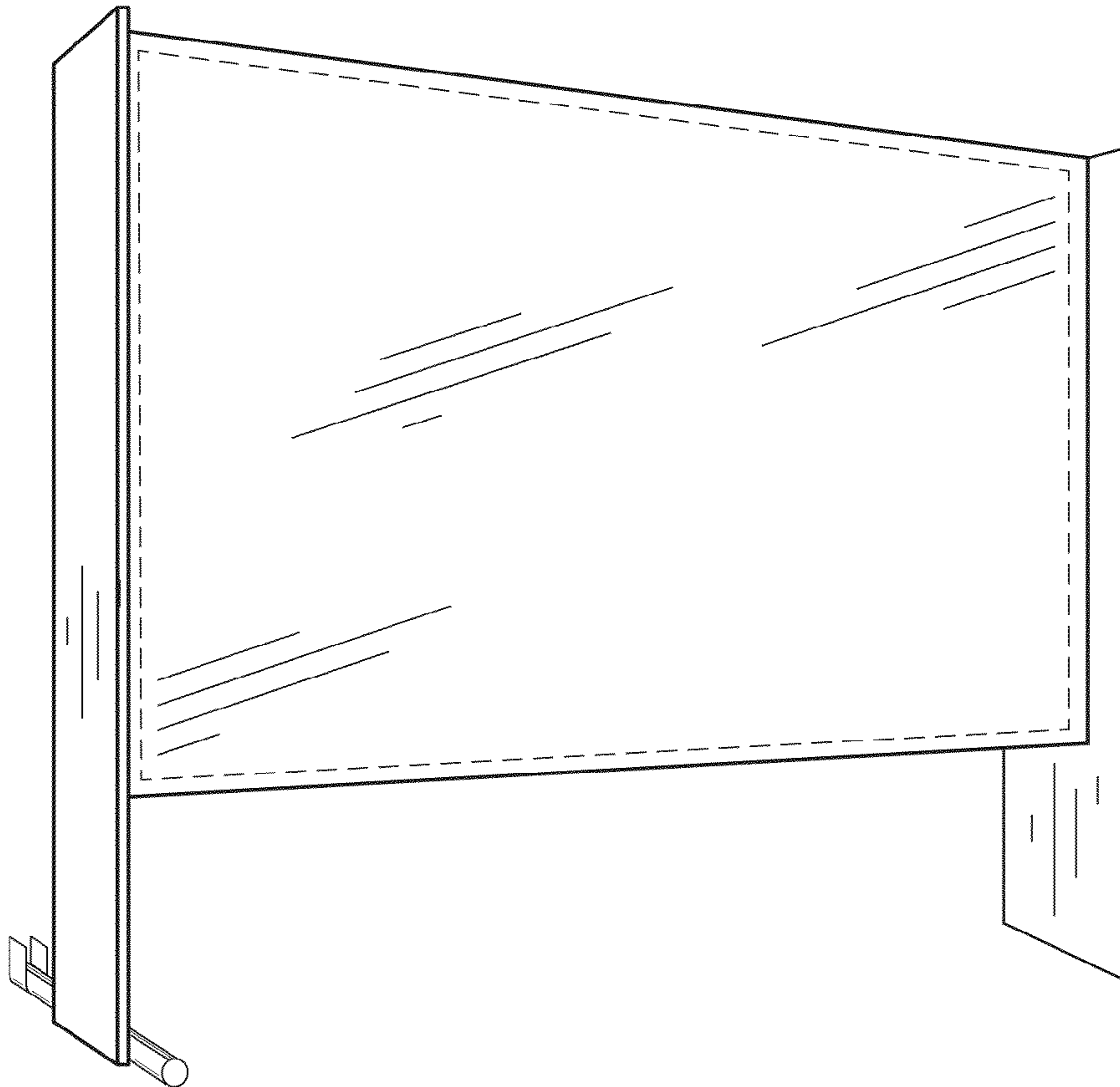


FIG. 11

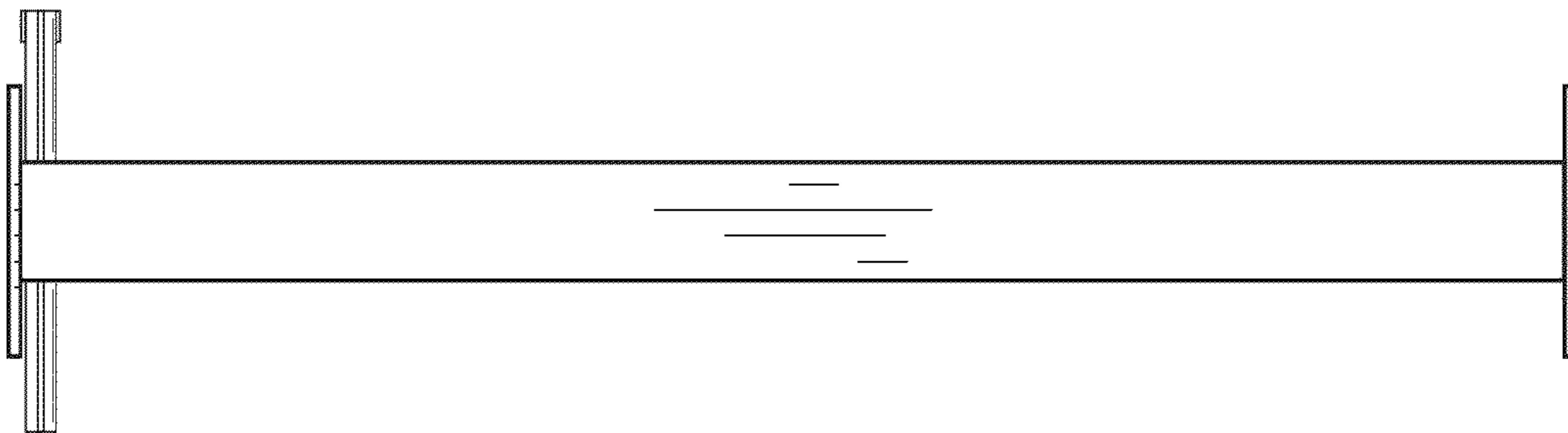


FIG. 12

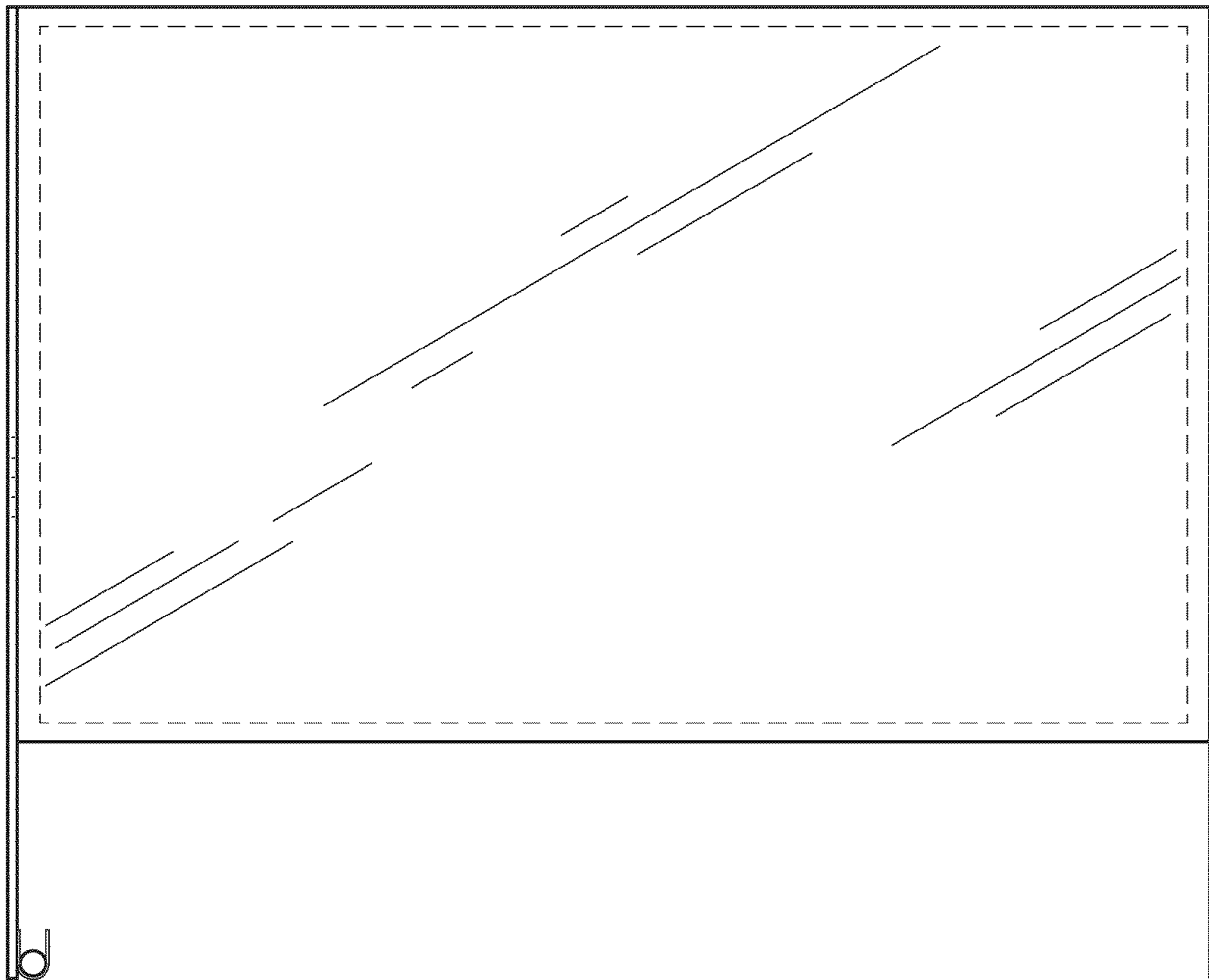


FIG. 13

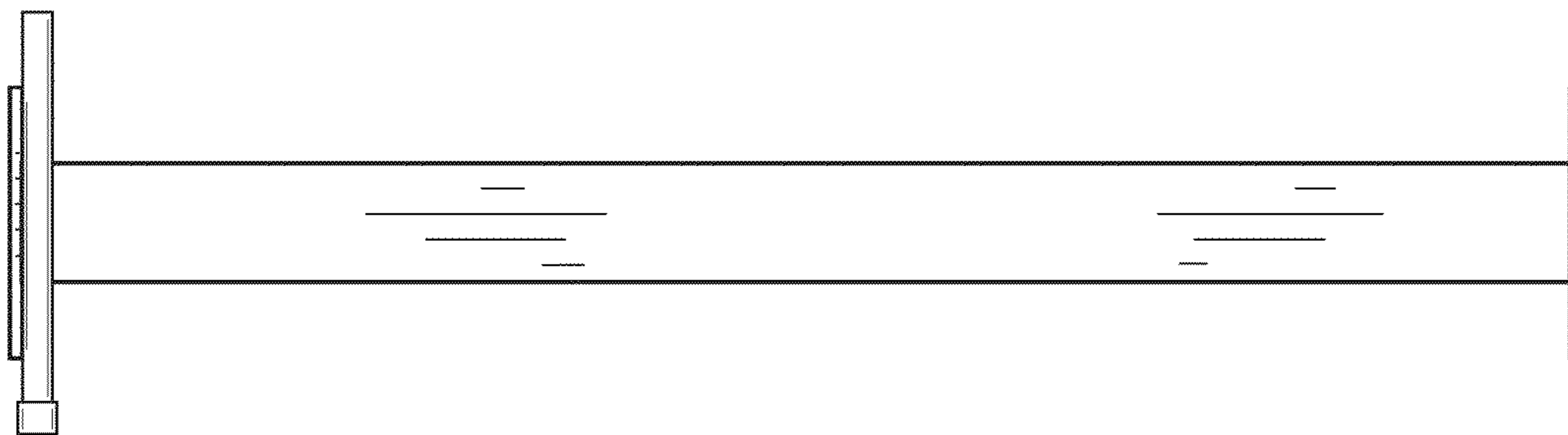


FIG. 14

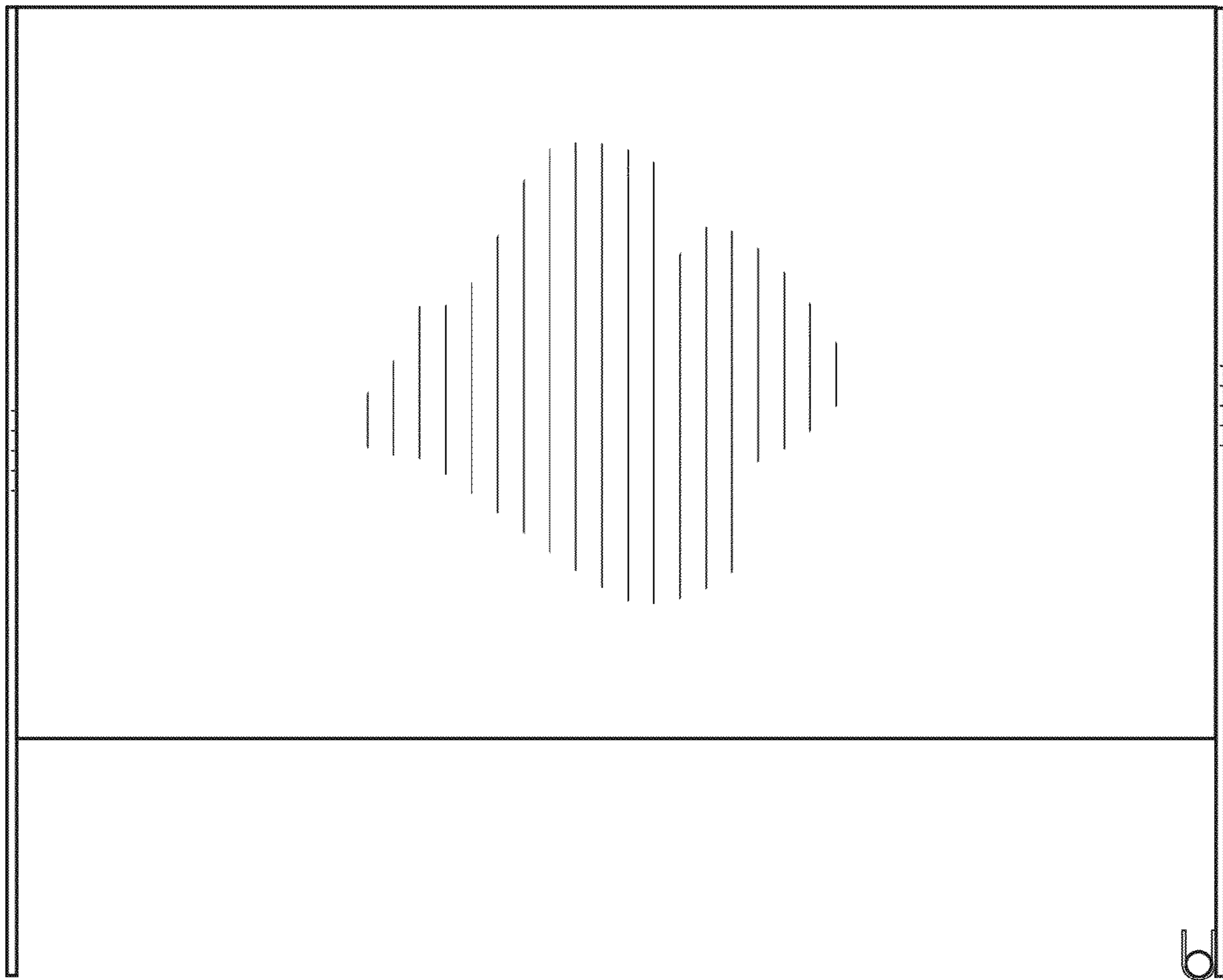


FIG. 15

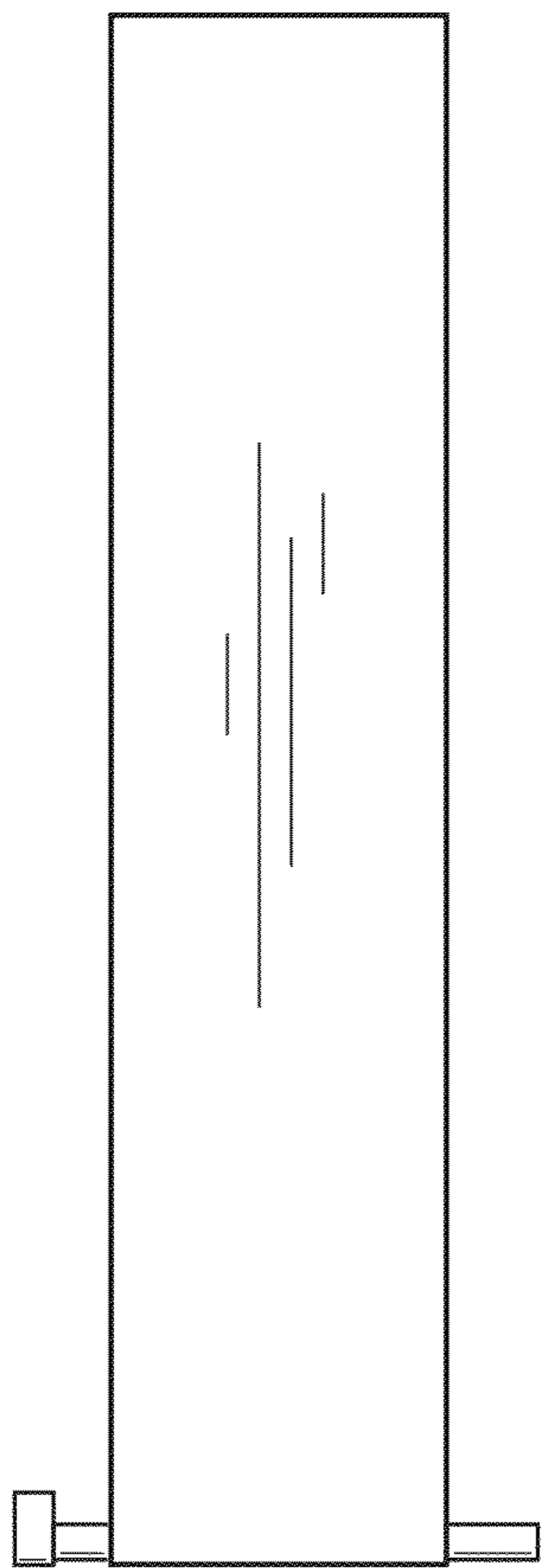


FIG. 16

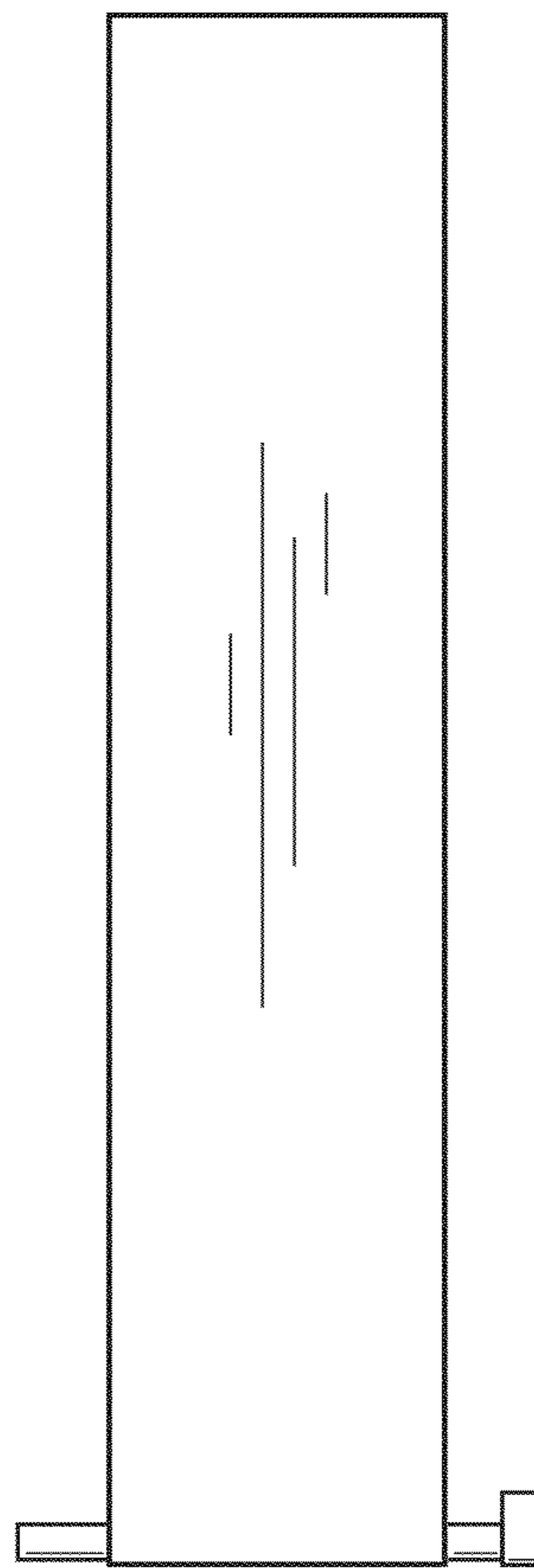


FIG. 17

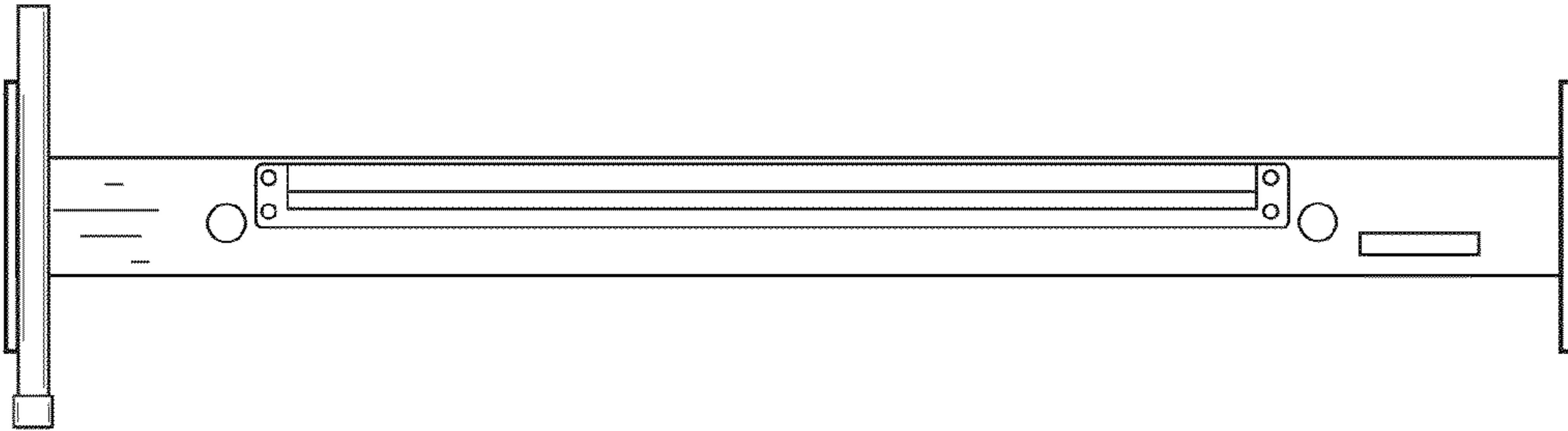


FIG. 18

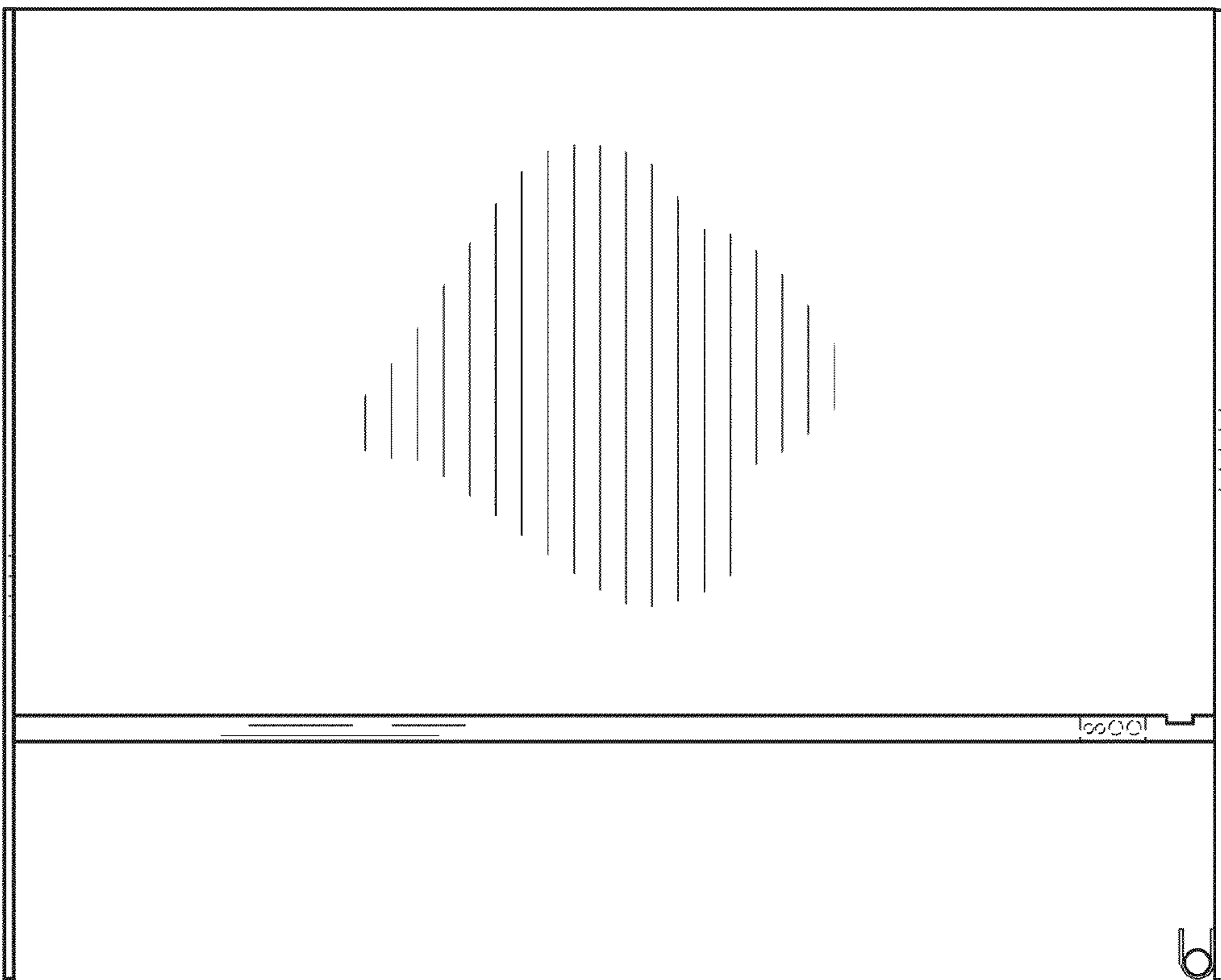


FIG. 19

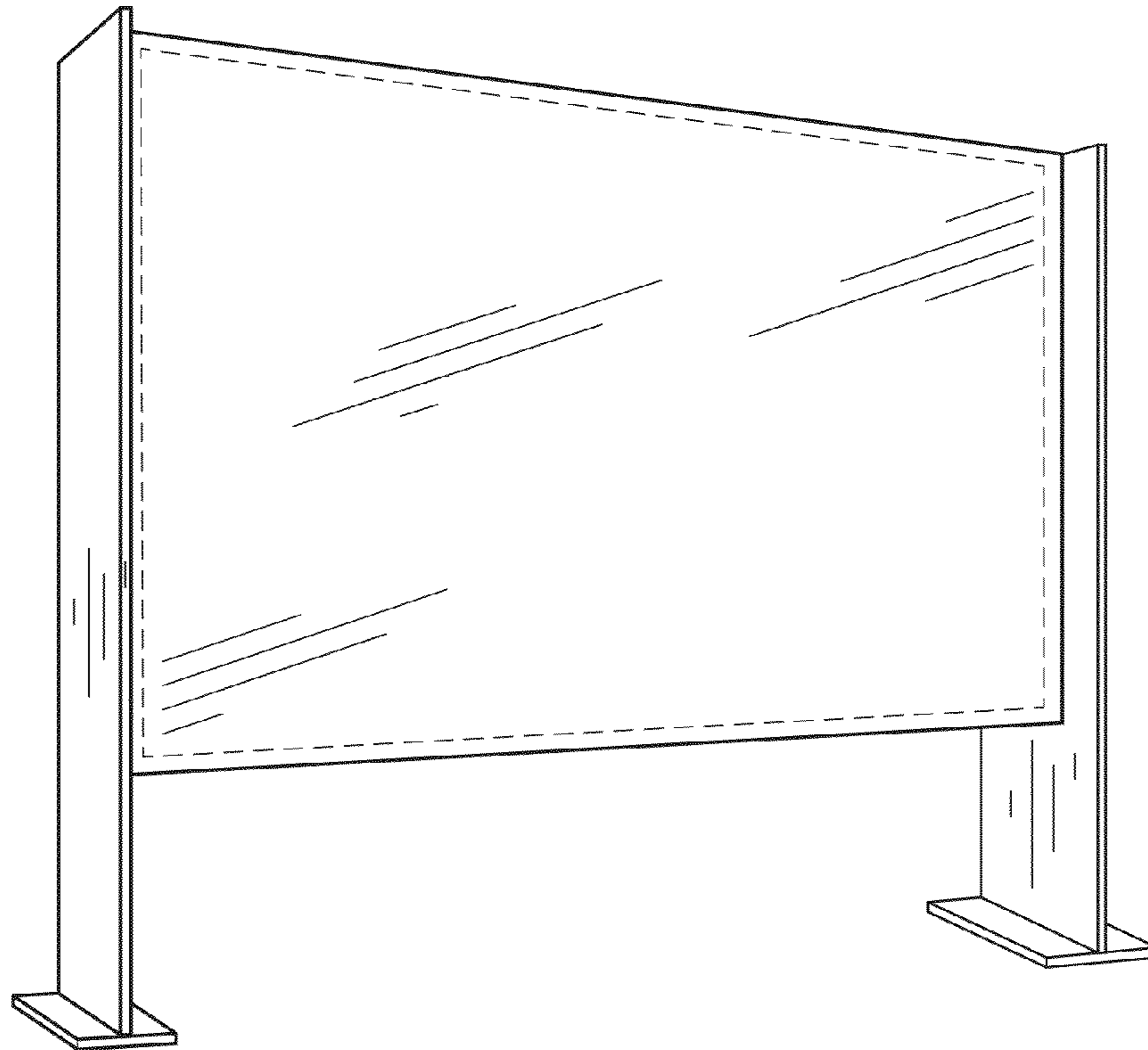


FIG. 20

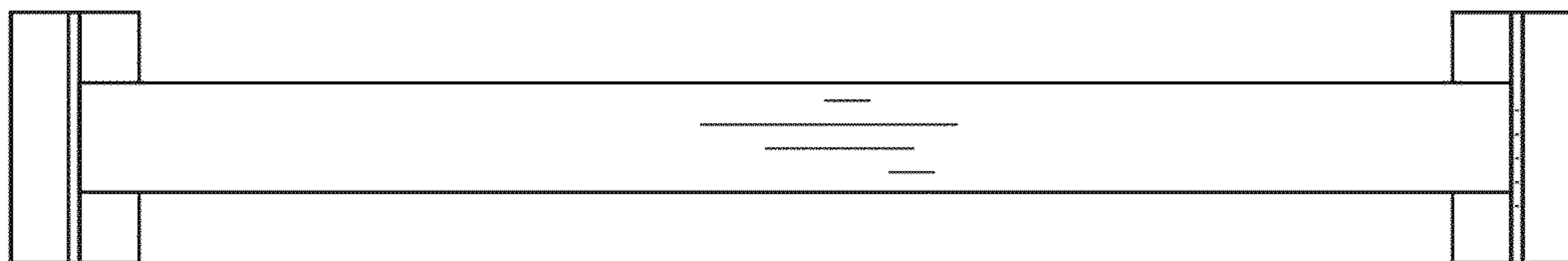


FIG. 21

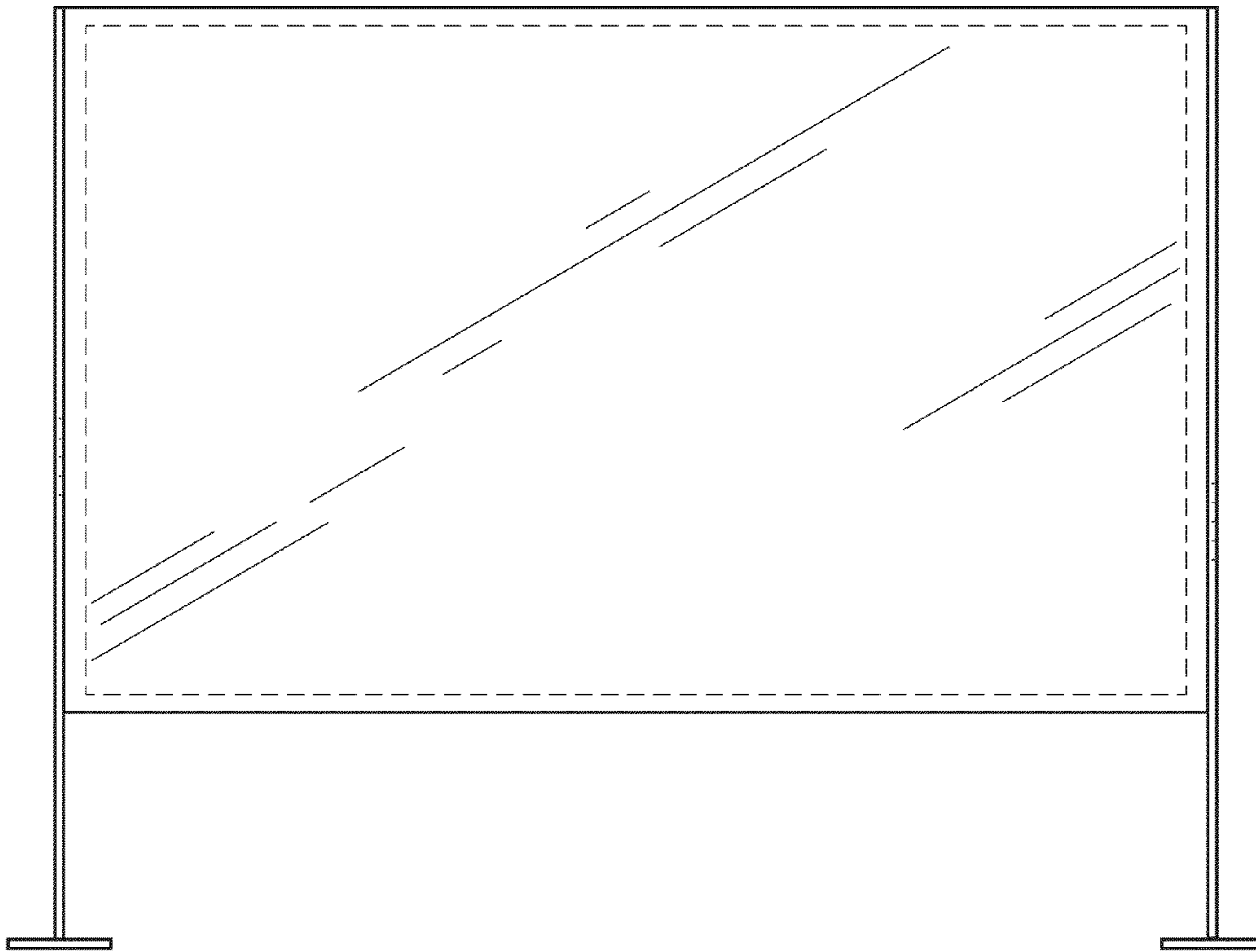


FIG. 22

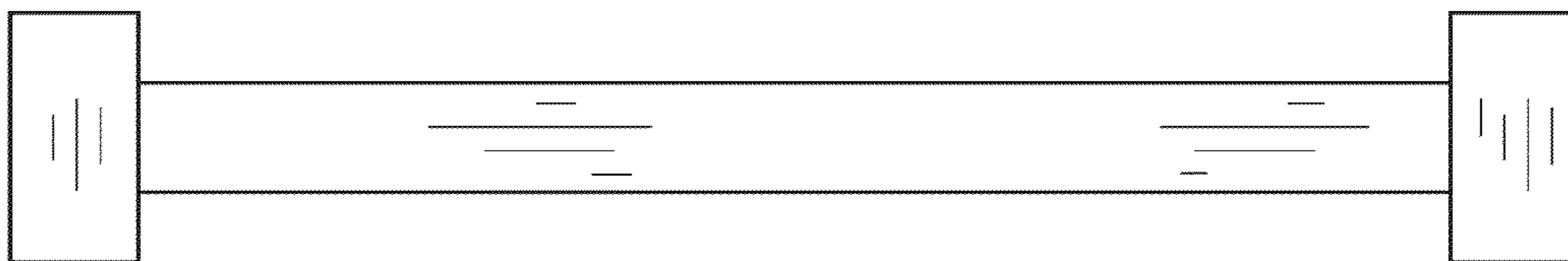


FIG. 23

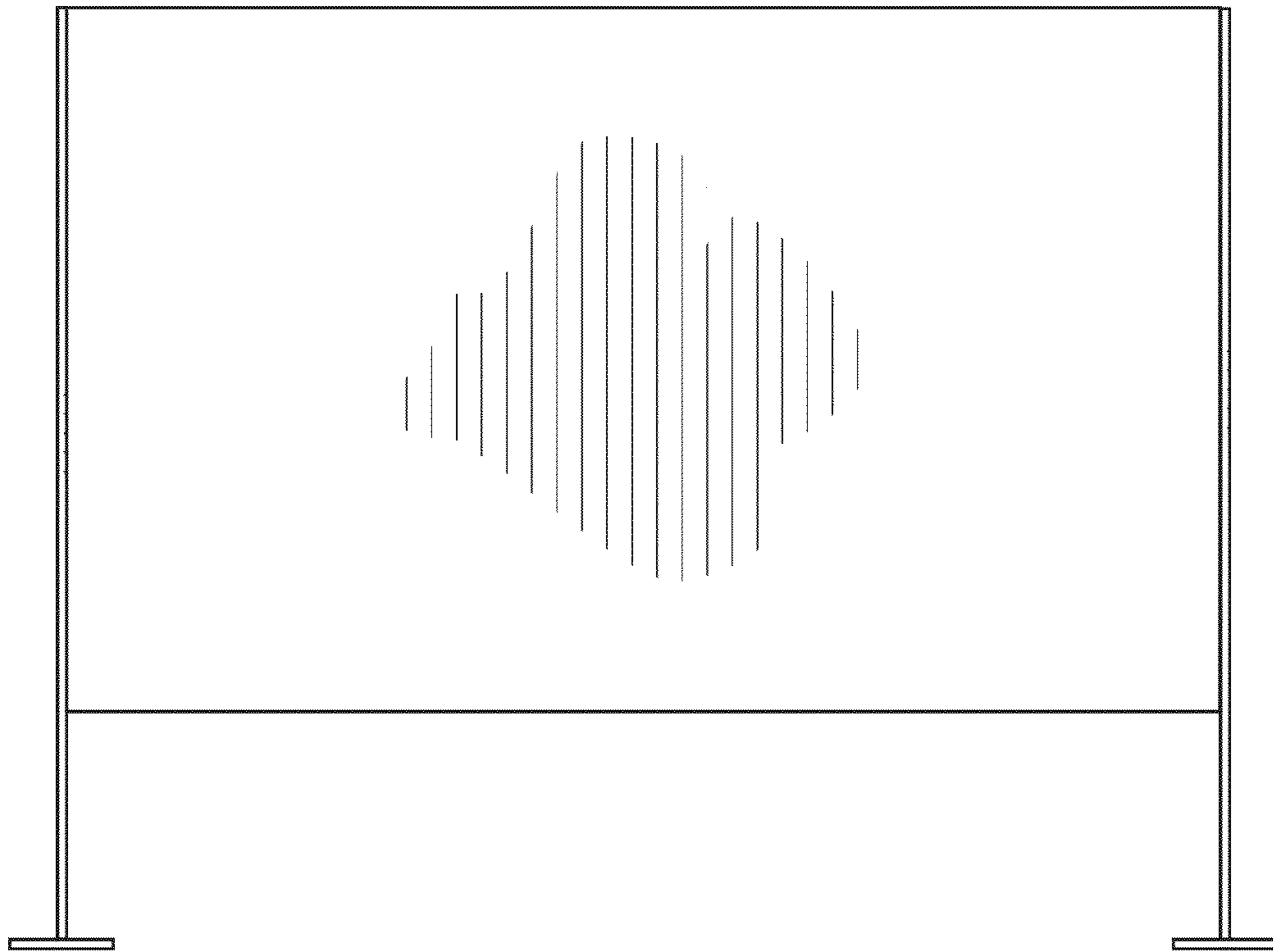


FIG. 24

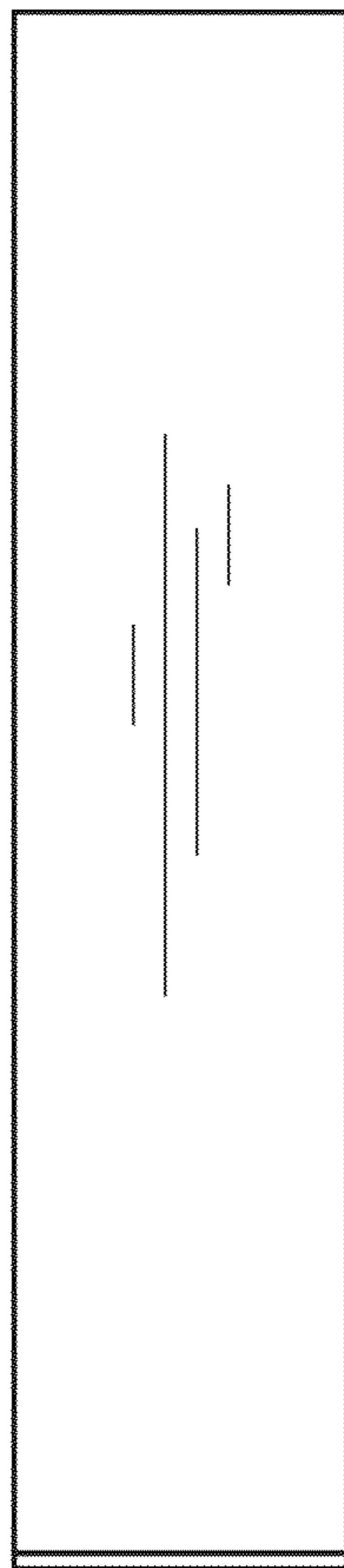


FIG. 25

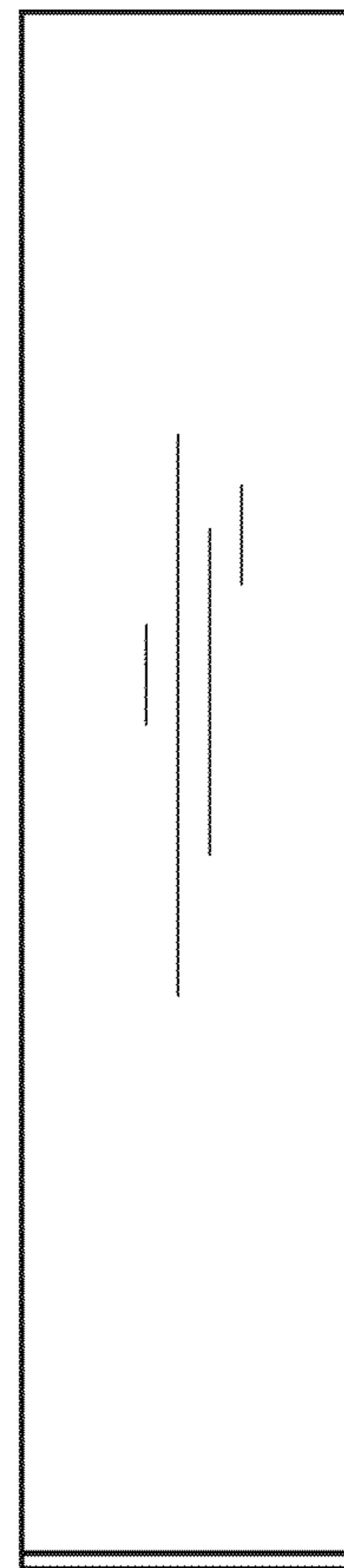


FIG. 26

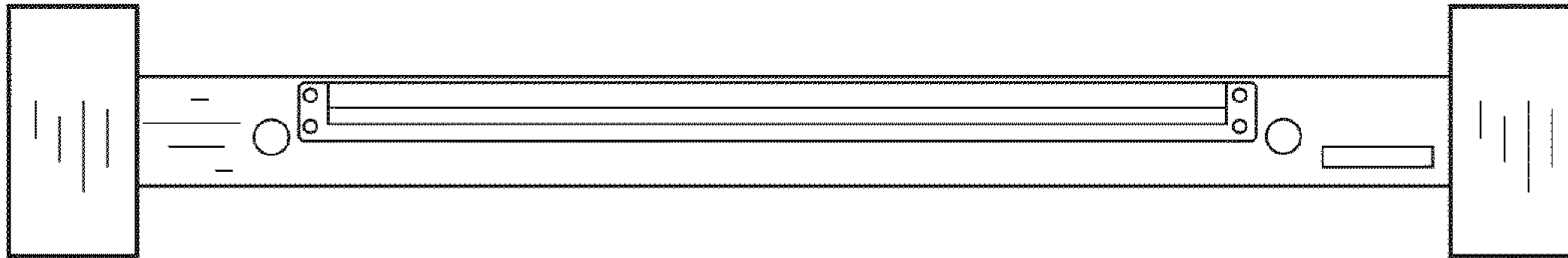


FIG. 27

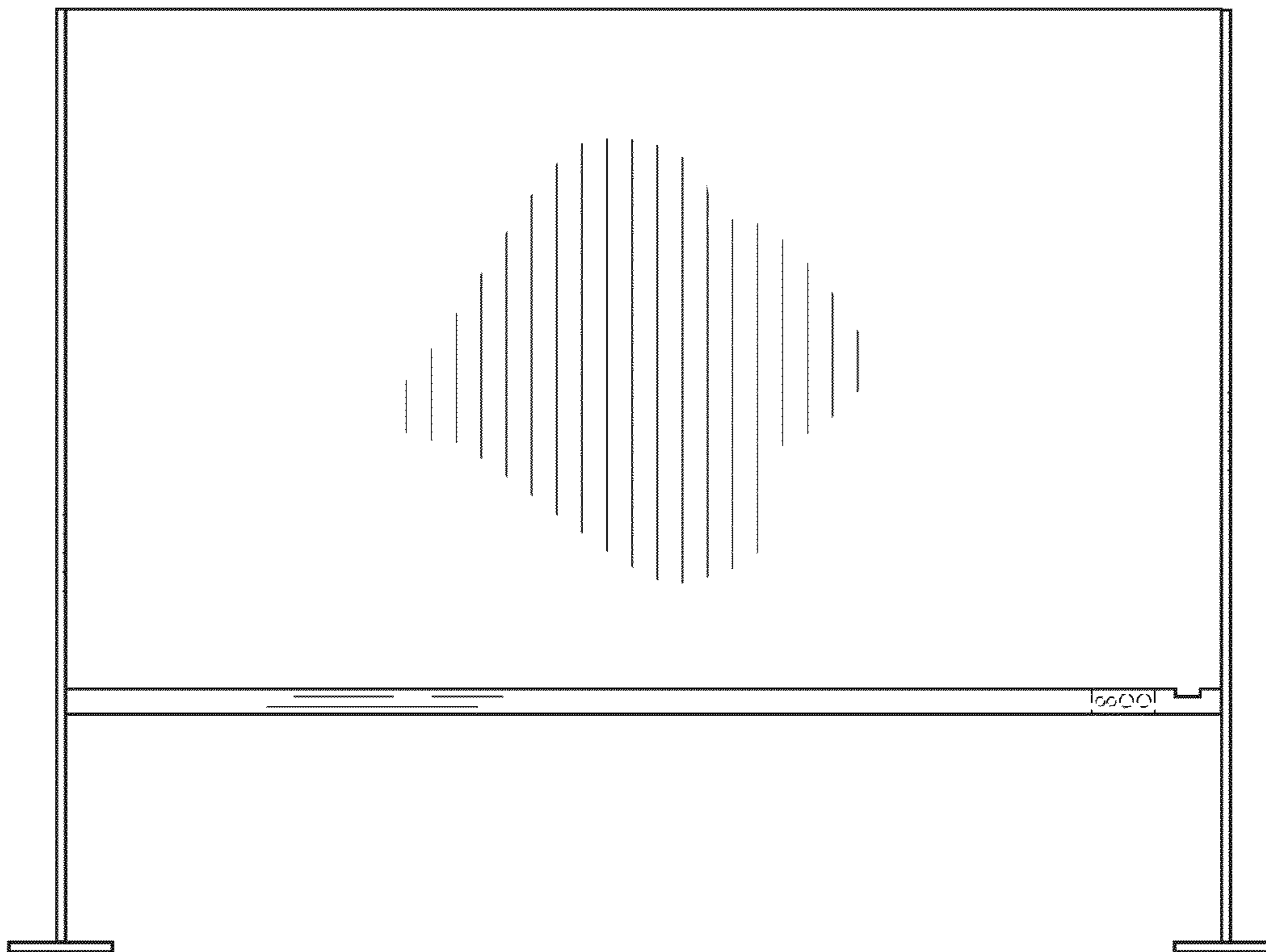


FIG. 28

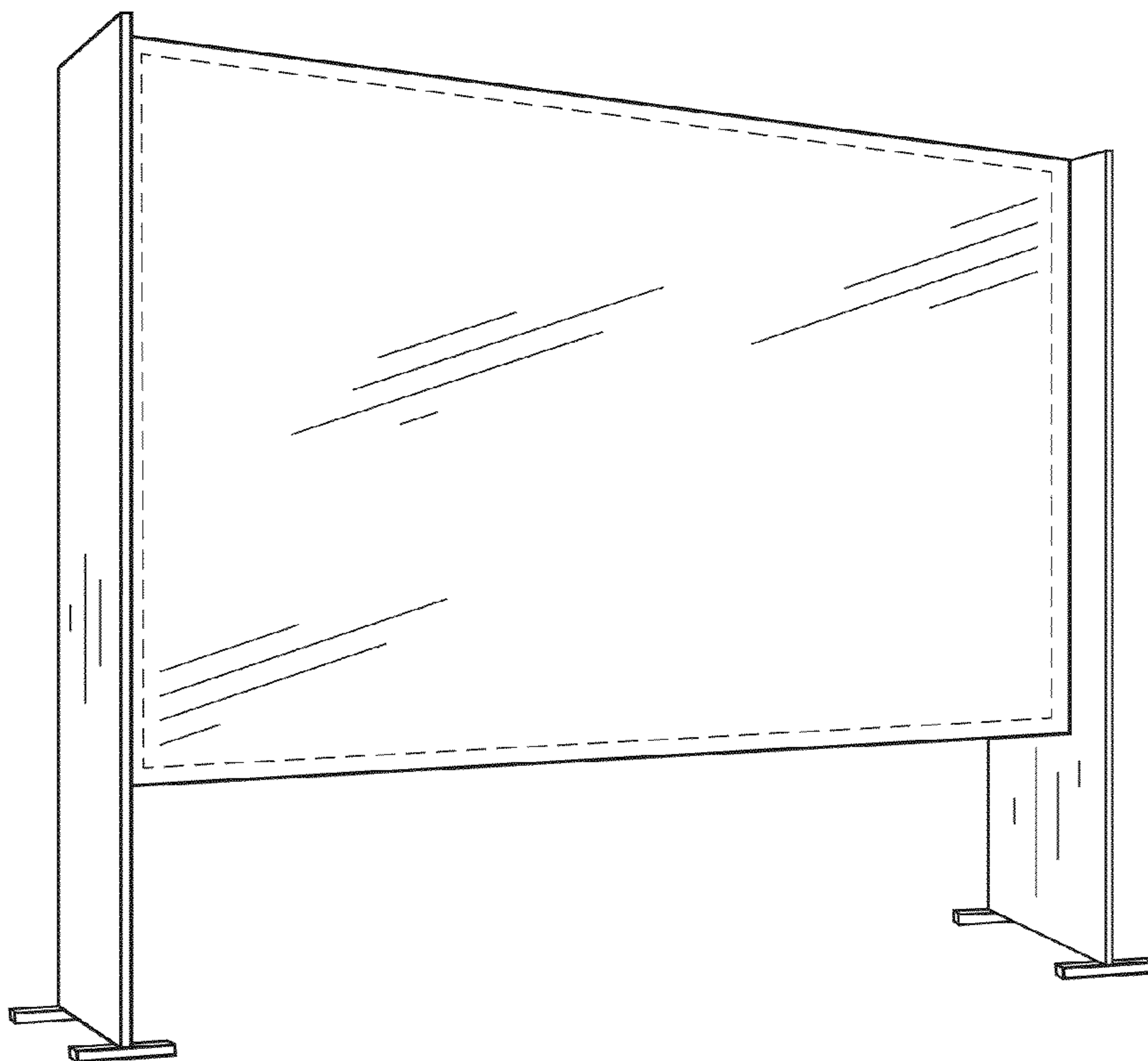


FIG. 29

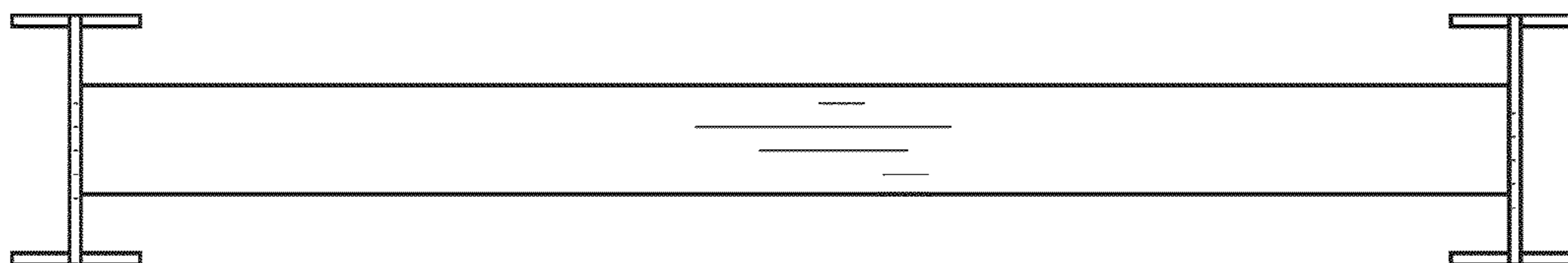


FIG. 30

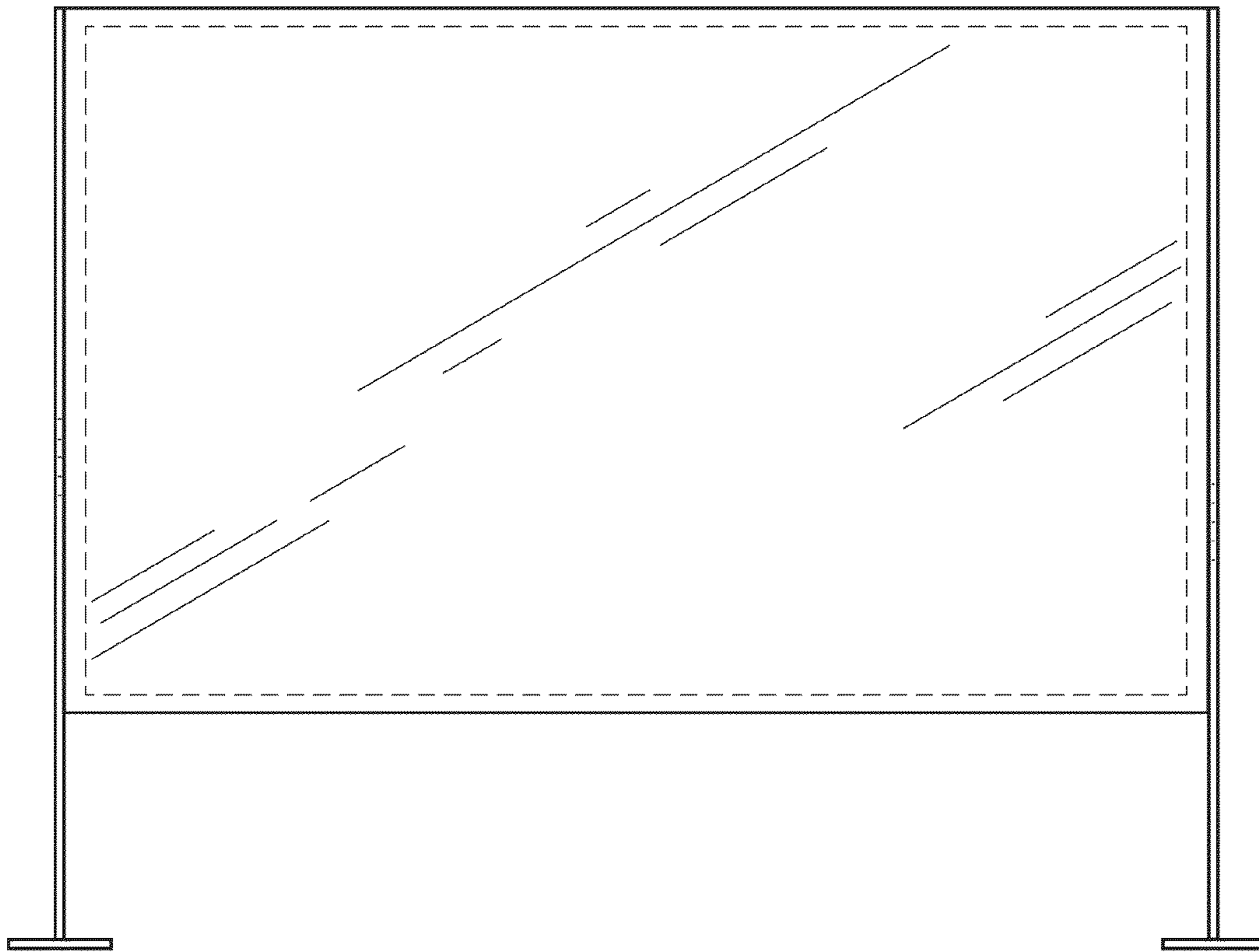


FIG. 31

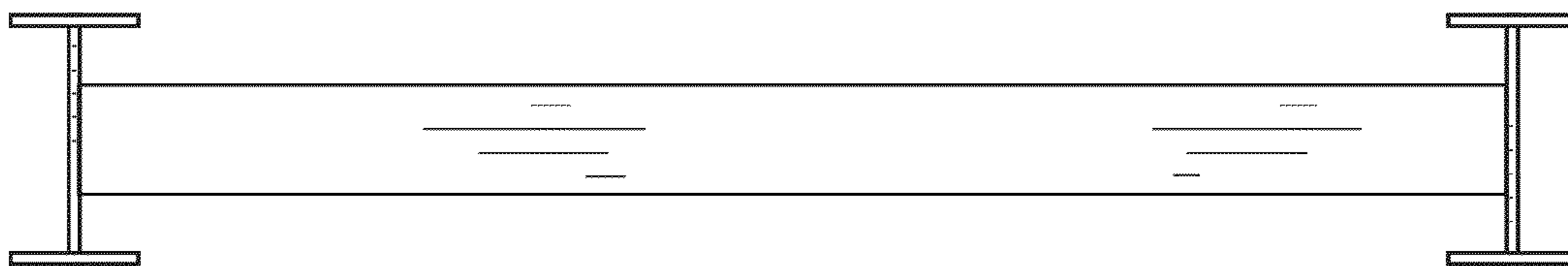


FIG. 32

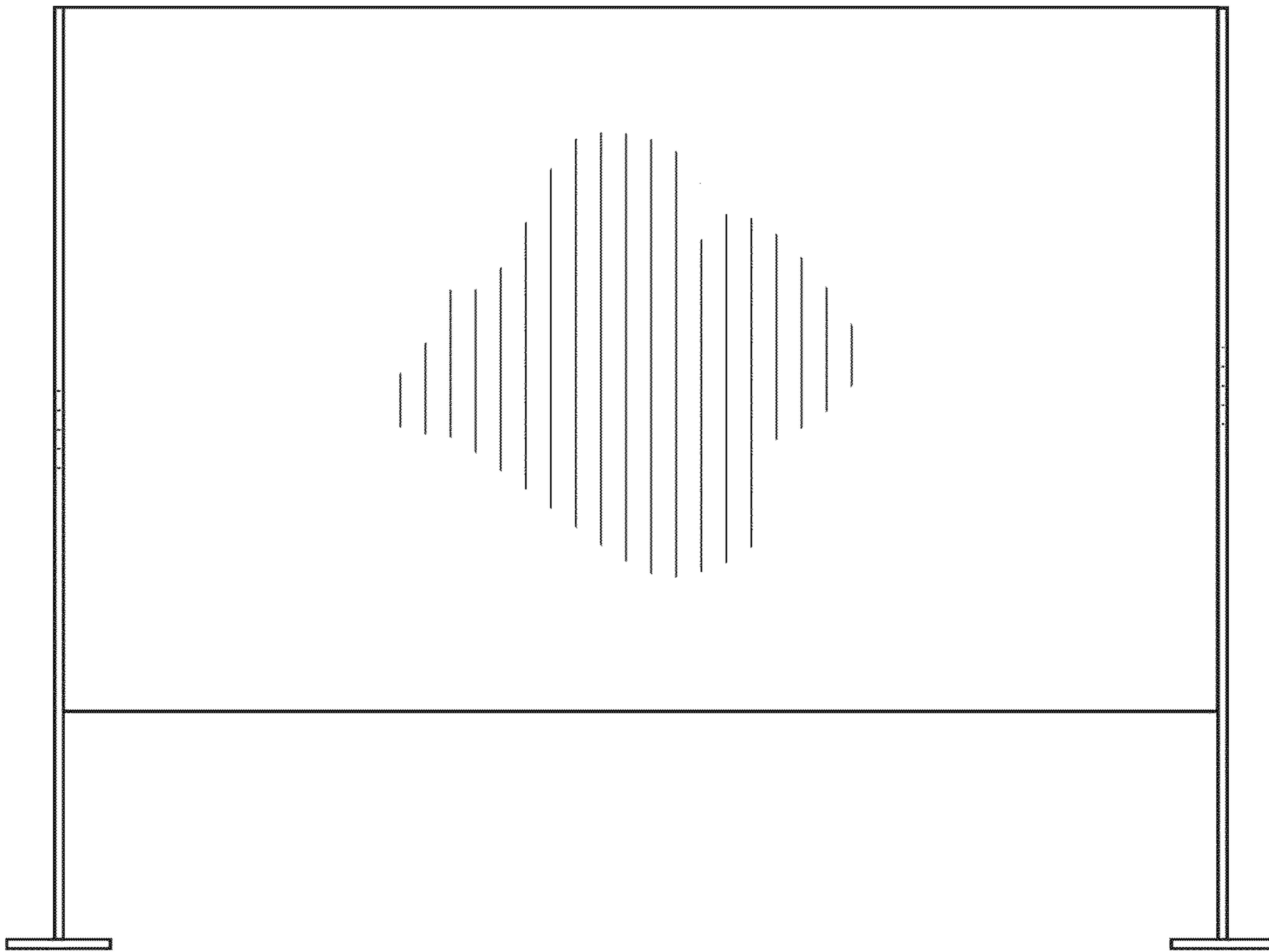


FIG. 33

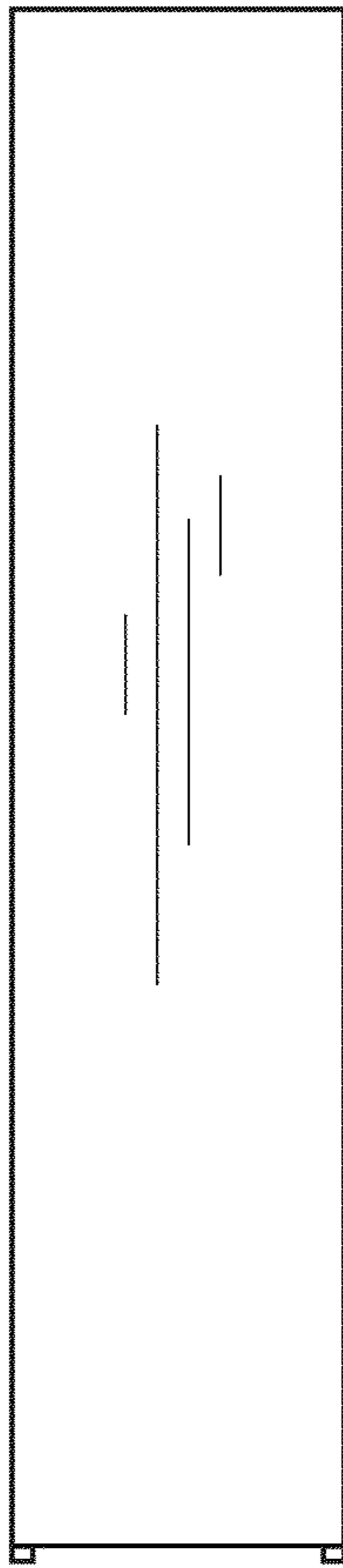


FIG. 34

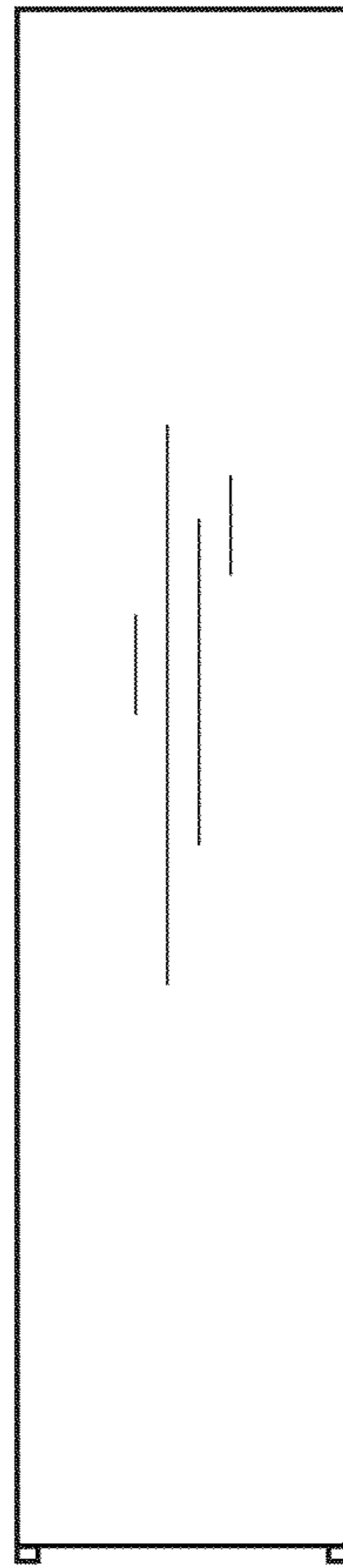


FIG. 35

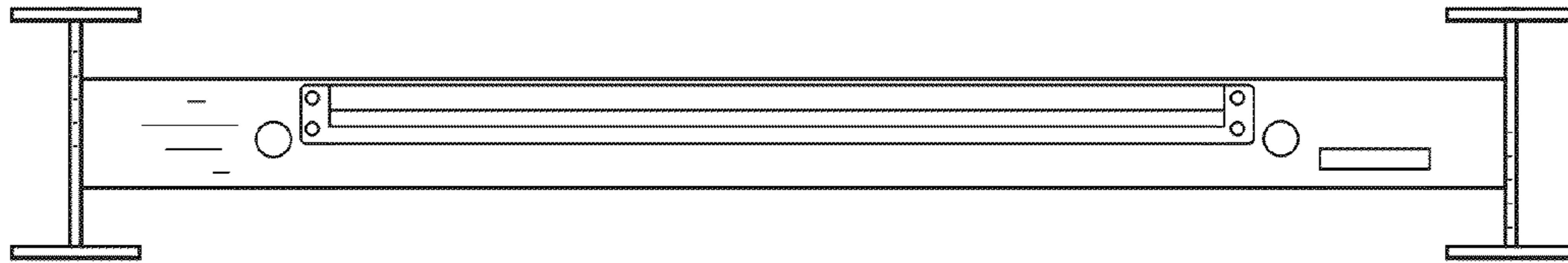


FIG. 36

