



US00D710846S

(12) **United States Design Patent**
Park et al.

(10) **Patent No.:** **US D710,846 S**
(45) **Date of Patent:** **** Aug. 12, 2014**

(54) **INDUSTRIAL PERSONAL DIGITAL ASSISTANT**

(71) Applicant: **Bluebird Soft Inc.**, Seoul (KR)

(72) Inventors: **Jung Sik Park**, Namyangju-si (KR); **Ji Seok Heo**, Seoul (KR); **Jang Won Lee**, Seoul (KR)

(73) Assignee: **Bluebird Soft Inc.** (KR)

(**) Term: **14 Years**

(21) Appl. No.: **29/440,480**

(22) Filed: **Dec. 21, 2012**

(30) **Foreign Application Priority Data**

Jun. 22, 2012 (KR) 30-2012-0030711

(51) **LOC (10) Cl.** **14-02**

(52) **U.S. Cl.**
USPC **D14/346; D14/426; D14/138 AA**

(58) **Field of Classification Search**
USPC D14/138 G, 138 AD, 341, 346, 138 R, D14/138 AA, 138 AB, 496, 203.1, 203.3, D14/203.4, 203.7, 248, 218, 144, 426, 429; 455/575.1, 556.1, 556.2, 575.3, 575.4; D21/517; 379/433.01, 433.04; D10/65, D10/78, 104.1, 70; D13/168; 361/679.3, 361/679.56; 235/462.46
See application file for complete search history.

(56) **References Cited**

U.S. PATENT DOCUMENTS

D502,159 S * 2/2005 Chan et al. D14/138 AA
D507,268 S * 7/2005 Schlieffers et al. D14/346
D507,568 S * 7/2005 Schlieffers et al. D14/346
D556,726 S * 12/2007 Dai D14/138 AA
D558,760 S * 1/2008 Fitch et al. D14/346
D563,378 S * 3/2008 Tseng et al. D14/138 AA

D566,094 S * 4/2008 Kim et al. D14/138 AA
D579,018 S * 10/2008 Su et al. D14/426
D582,914 S * 12/2008 Croley et al. D14/341
D597,047 S * 7/2009 Jung et al. D14/138 AA
D597,056 S * 7/2009 Tkachuk D14/138 AA
D598,888 S * 8/2009 Wei et al. D14/138 AA
D603,823 S * 11/2009 Chon et al. D14/138 AA
D610,123 S * 2/2010 Youn et al. D14/138 AA
D613,707 S * 4/2010 Park et al. D14/138 AA
D615,085 S * 5/2010 Ma et al. D14/346
D615,540 S * 5/2010 Lan et al. D14/345

(Continued)

OTHER PUBLICATIONS

Introducing the Pidion HM Rugged Handheld PDA Series, by The Rugged and Mobile blog, posted Jun. 3, 2013., [online], [site visited Mar. 10, 2014]. Available from Internet, <URL: <http://blog.ruggedandmobile.com/2013/06/03/introducing-the-pidion-hm-rugged-handheld-pda-series/>>.*

(Continued)

Primary Examiner — Jeffrey D Asch

(74) *Attorney, Agent, or Firm* — Cantor Colburn LLP

(57) **CLAIM**

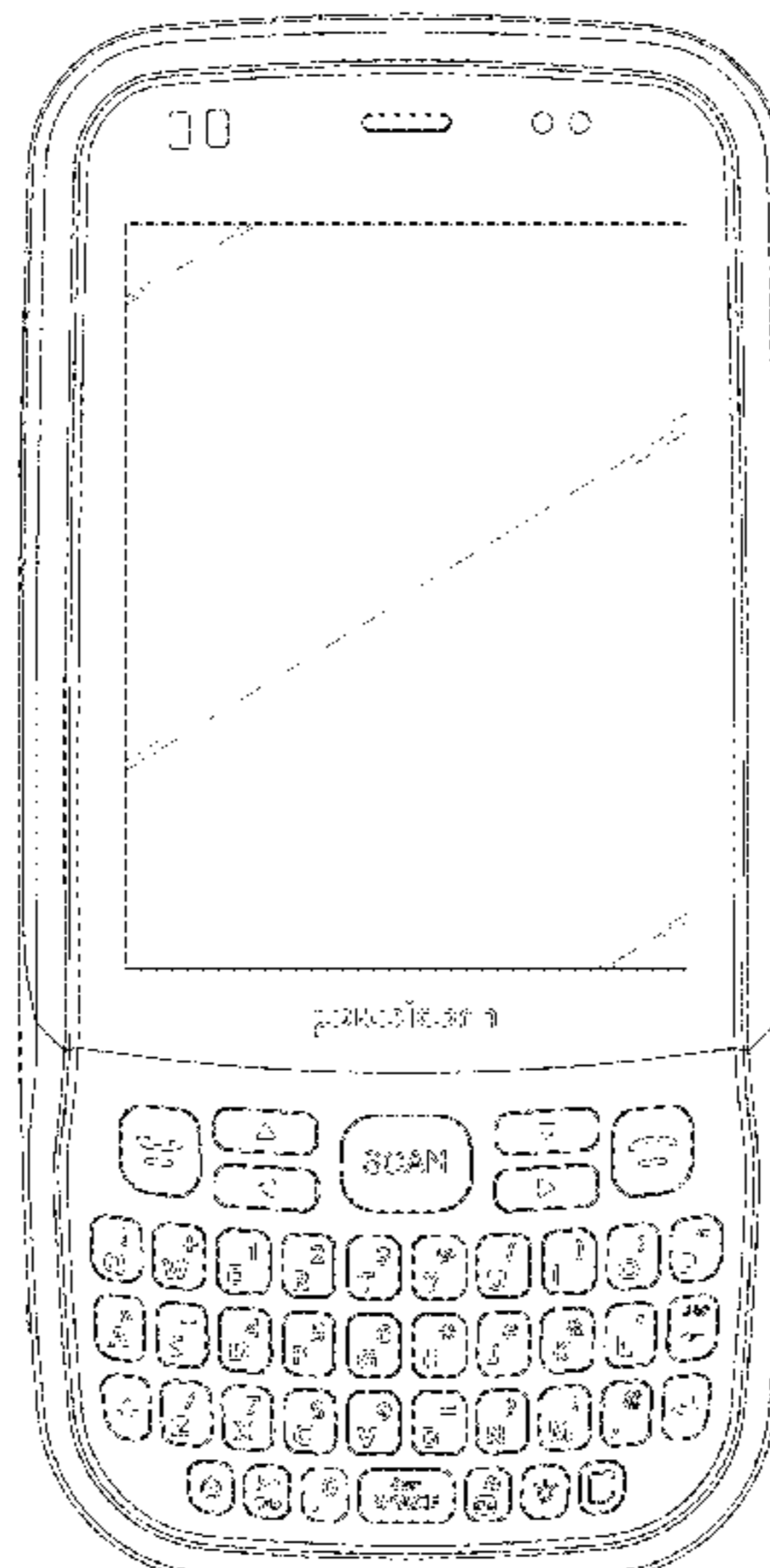
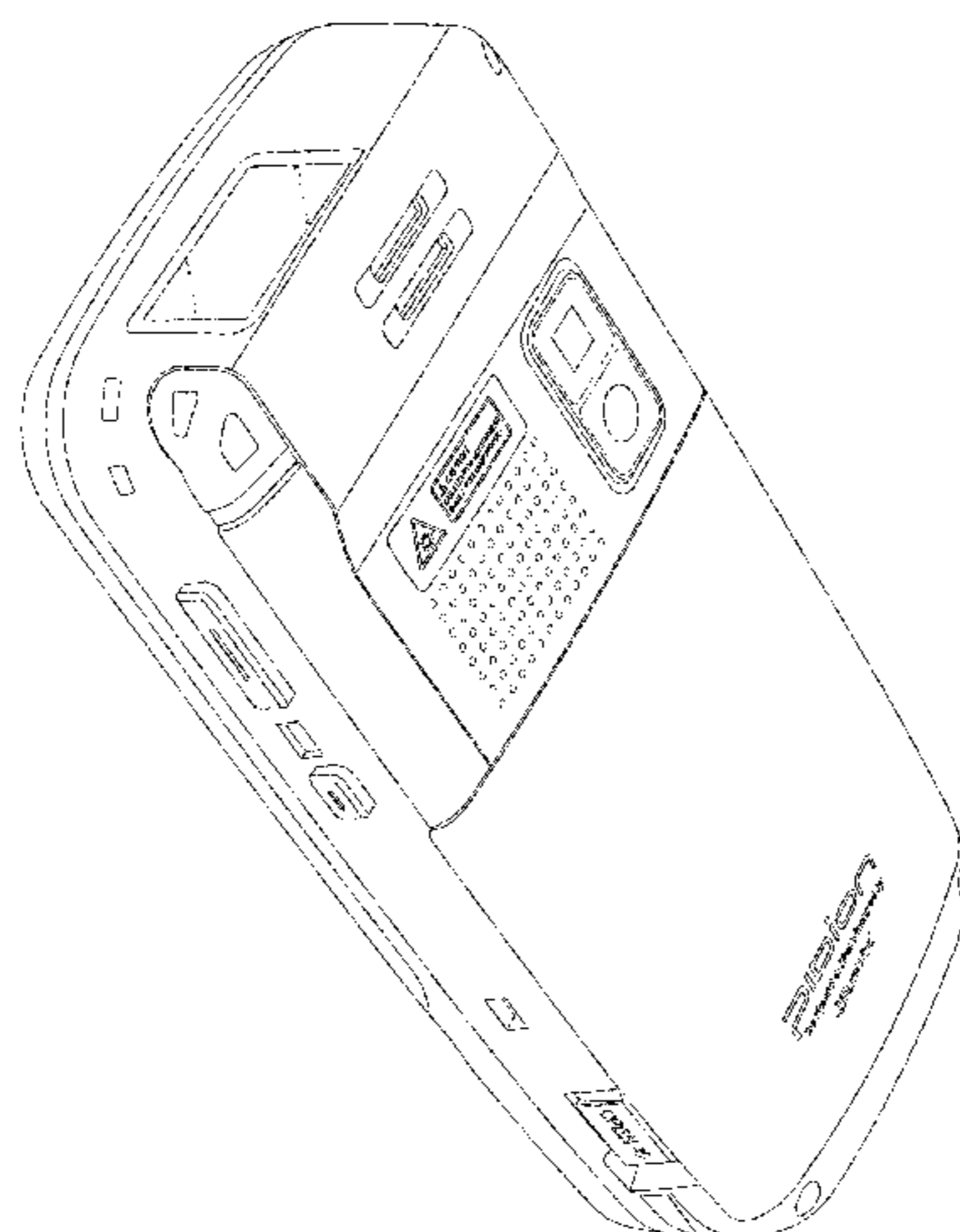
The ornamental design for an industrial personal digital assistant, as shown and described.

DESCRIPTION

FIG. 1 is a front perspective view of an industrial personal digital assistant showing our new design; FIG. 2 is a rear perspective view thereof; FIG. 3 is a front view thereof; FIG. 4 is a rear view thereof; FIG. 5 is a left side view thereof; FIG. 6 is a right side view thereof; FIG. 7 is a top plan view thereof; and, FIG. 8 is a bottom plan view thereof.

“Pidion” forming part of the claimed design is a registered trademark of BLUEBIRD INC of Seoul, Republic of Korea.

1 Claim, 7 Drawing Sheets



(56)

References Cited

U.S. PATENT DOCUMENTS

D623,163	S *	9/2010	Choi et al.	D14/138 AA
D628,198	S *	11/2010	Fitch et al.	D14/347
D633,915	S *	3/2011	Alegiani et al.	D14/429
8,046,032	B2 *	10/2011	Babella	455/575.1
D648,699	S *	11/2011	Park et al.	D14/138 AA
D658,625	S *	5/2012	Paradise et al.	D14/138 AA
D674,796	S *	1/2013	Cullen et al.	D14/426
D687,008	S *	7/2013	Sugioka et al.	D14/138 AA
2009/0174666	A1 *	7/2009	Matsuoka	345/169
2013/0153658	A1 *	6/2013	Hopper et al.	235/440

OTHER PUBLICATIONS

LG Optimus Pro C660 telephone, announced Jul. 2011, [online], [site visited Feb. 28, 2014]. Available from Internet, <URL: http://www.gsmarena.com/lg_optimus_pro_c660-4040.php>.*

i-mobile 5230 telephone, announced 2010, [online], [site visited Feb. 28, 2014]. Available from Internet, <URL: http://www.gsmarena.com/i_mobile_5230-3329.php>.*

Motorola MOTO XT316 telephone, announced Jun. 2011, [online], [site visited Feb. 28, 2014]. Available from Internet, <URL: http://www.gsmarena.com/motorola_moto_xt316-4024.php>.*

Samsung Galaxy Chat B5330 telephone, announced Jul. 2012, [online], [site visited Feb. 28, 2014]. Available from Internet, <URL: http://www.gsmarena.com/samsung_galaxy_chat_b5330-4866.php>.*

Huawei G6800 telephone, announced 2012, [online], [site visited Feb. 28, 2014]. Available from Internet, <URL: http://www.gsmarena.com/huawei_g6800-5109.php>.*

BenQ-Siemens P51 telephone, announced Mar. 2006, [online], [site visited Feb. 28, 2014]. Available from Internet, <URL: http://www.gsmarena.com/benq_siemens_p51-1497.php>.*

* cited by examiner

Fig. 1



Fig. 2

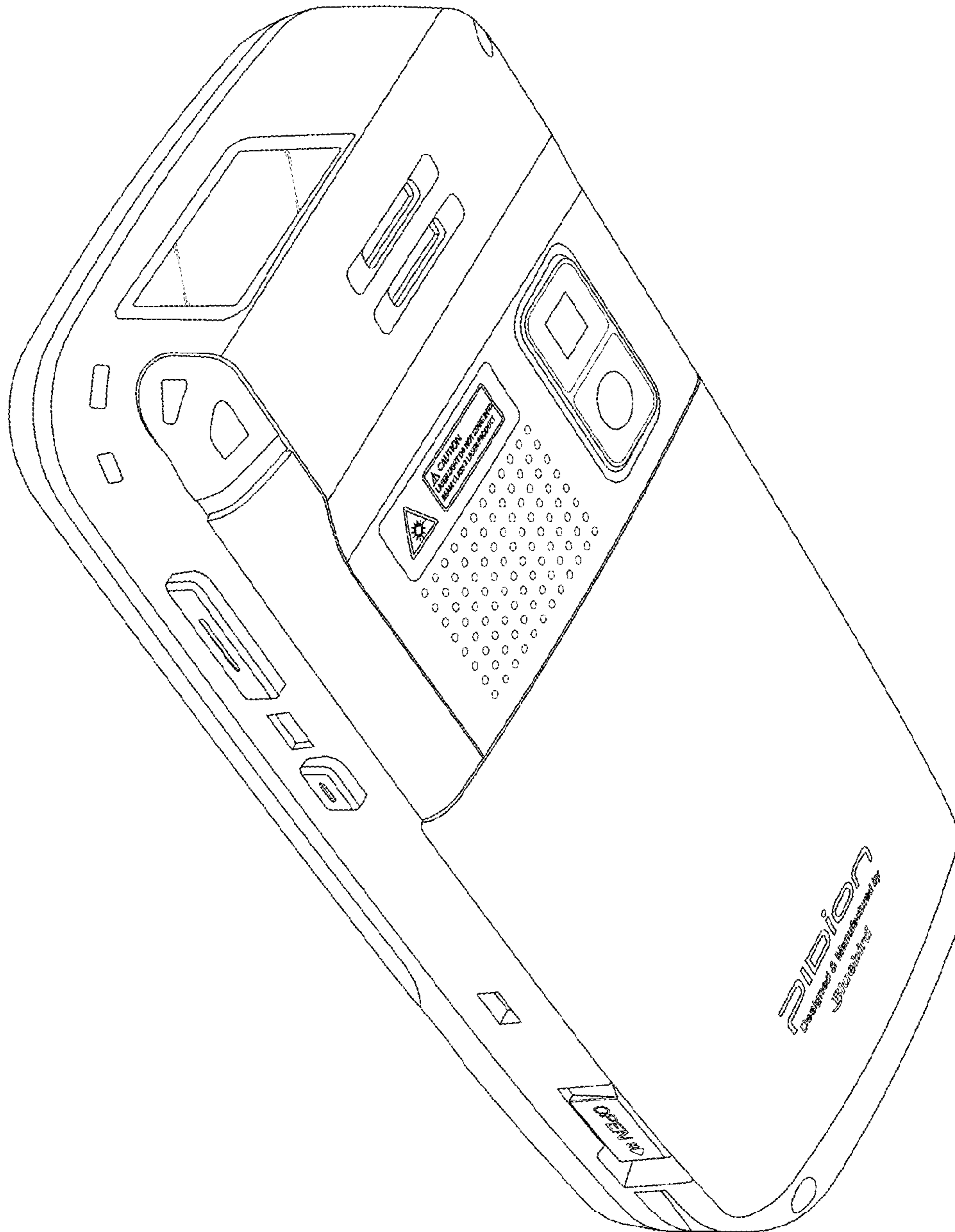


Fig. 3

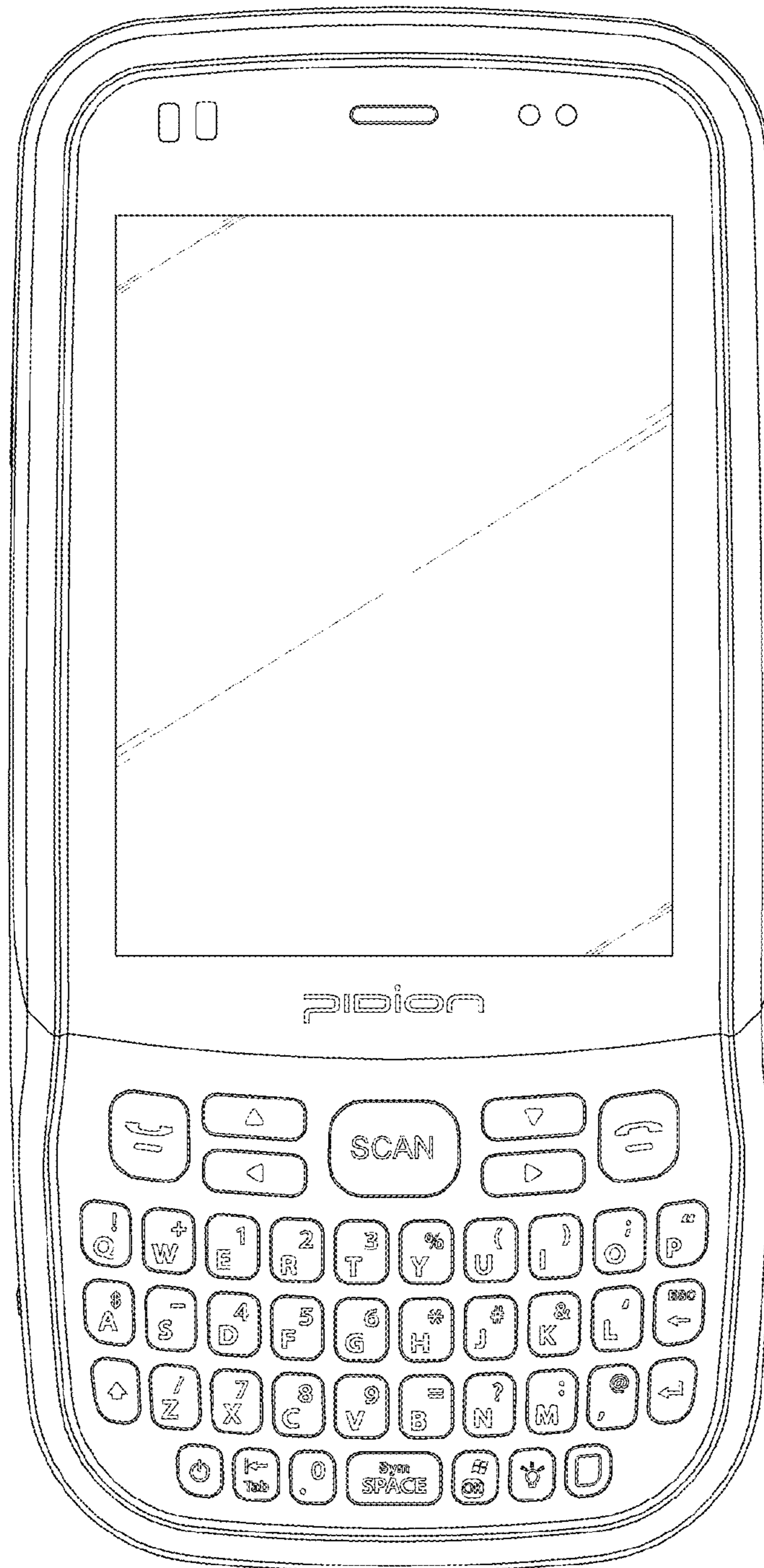


Fig. 4

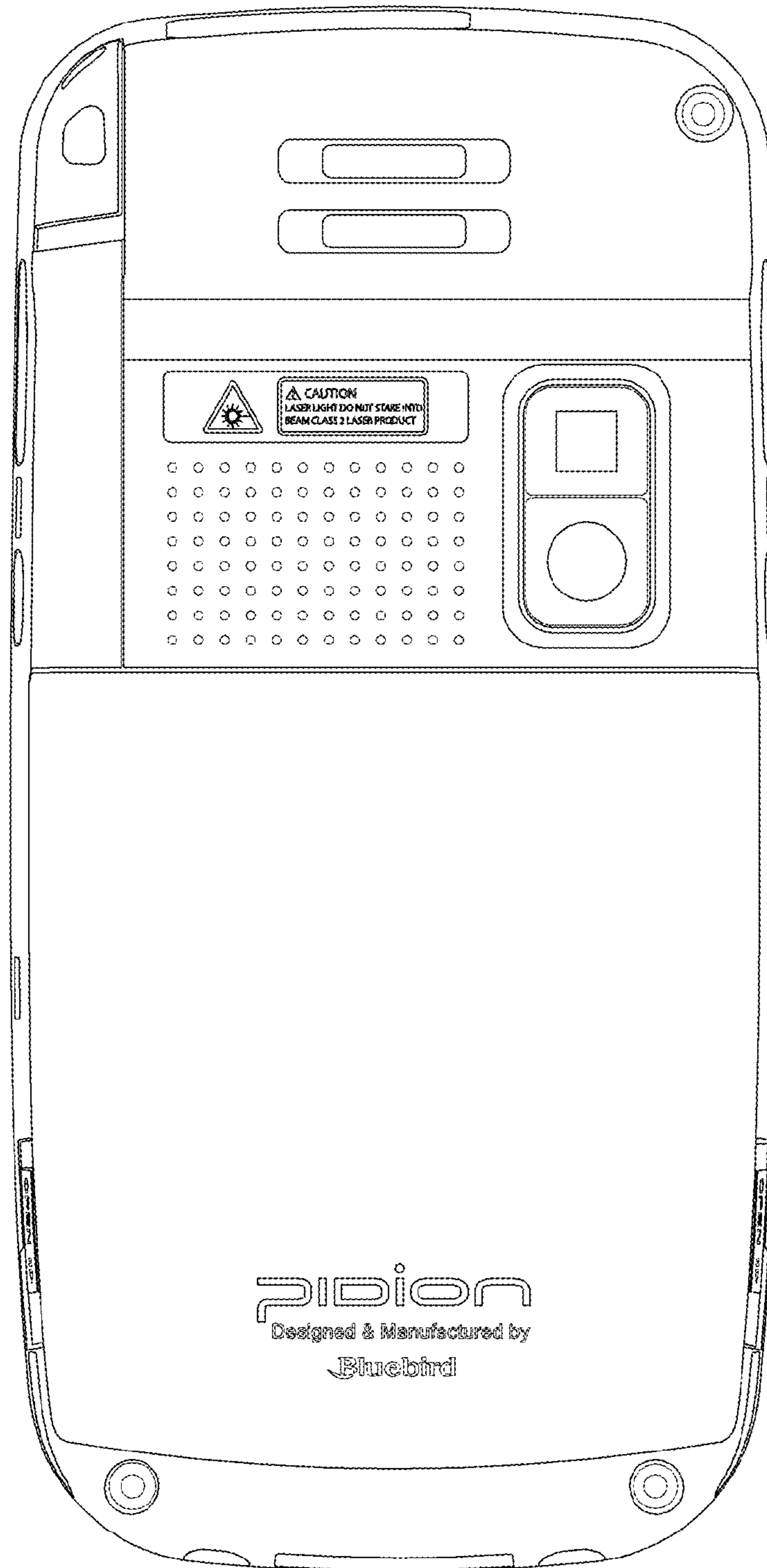


Fig. 5

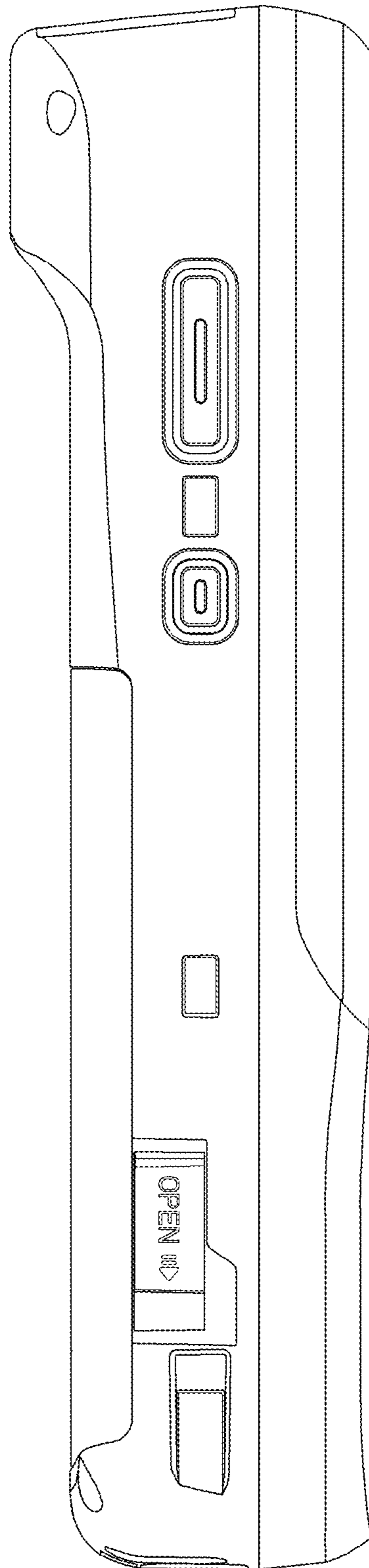


Fig. 6

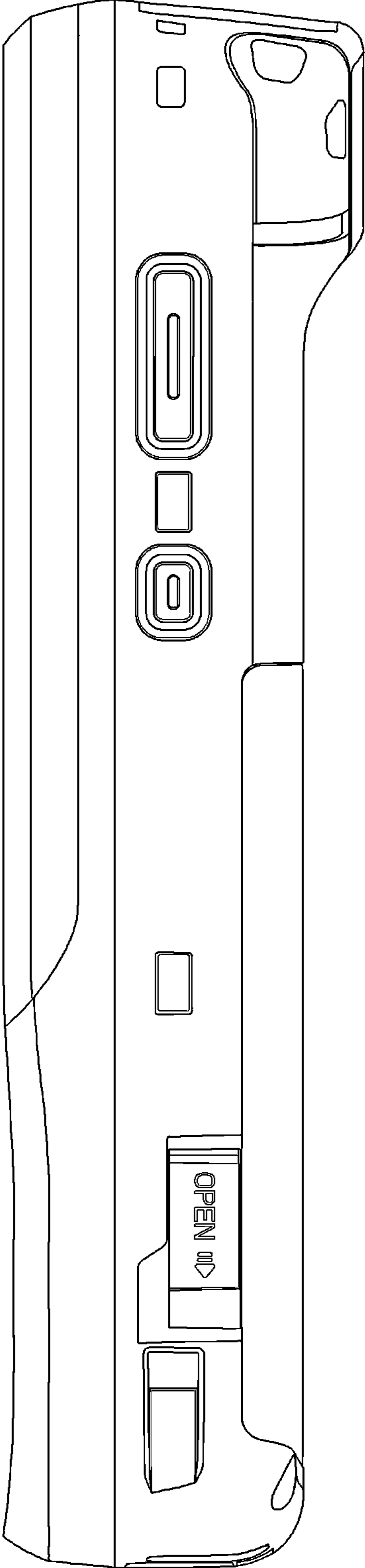


Fig. 7

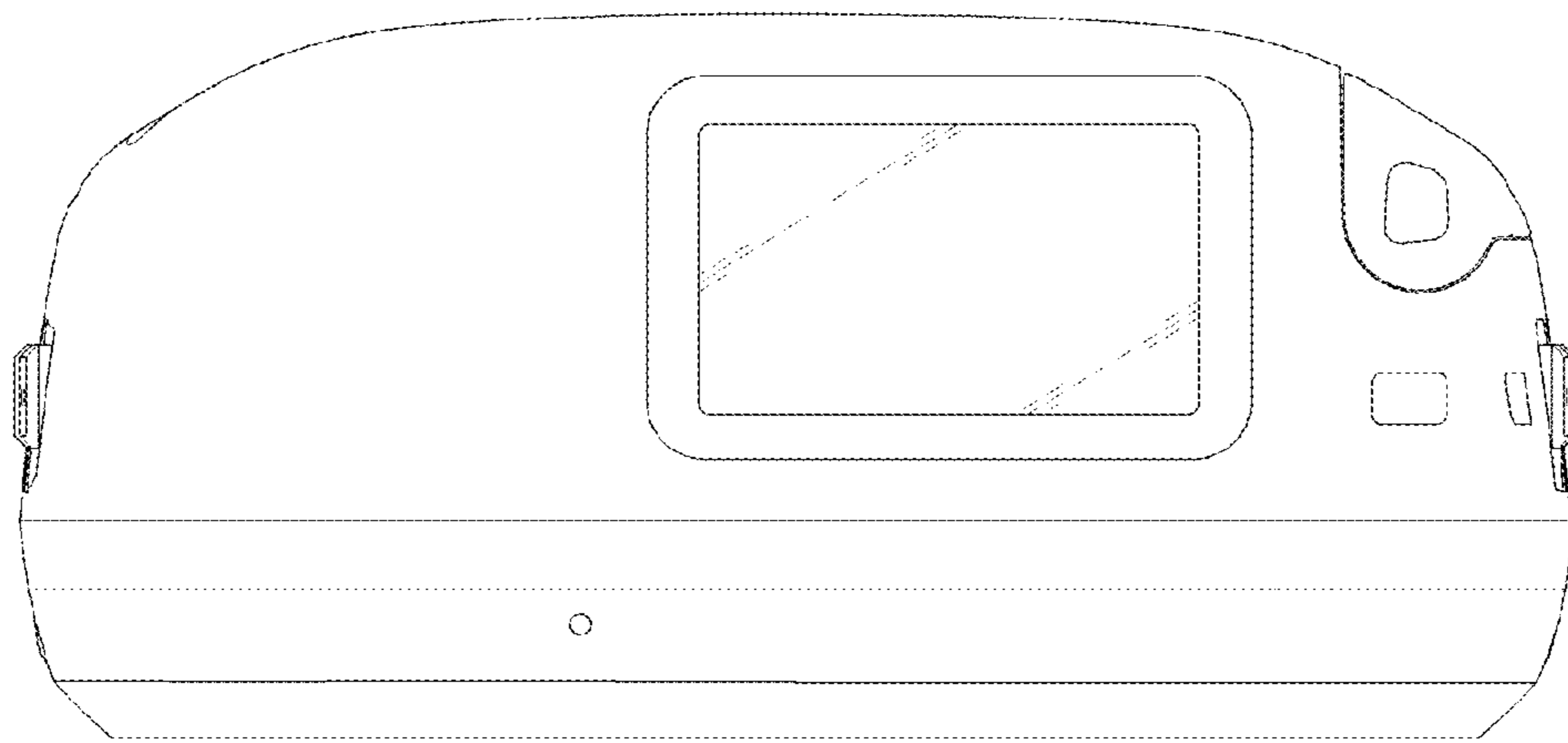


Fig. 8

