



US00D710845S

(12) **United States Design Patent**
Aumiller et al.

(10) **Patent No.:** **US D710,845 S**
(45) **Date of Patent:** **** Aug. 12, 2014**

(54) **ELECTRONIC DEVICE**

(71) Applicant: **Samsung Electronics Co., Ltd.**,
Suwon-si (KR)

(72) Inventors: **Curt Aumiller**, San Jose, CA (US);
Pranav Mistry, Cupertino, CA (US);
Chengyuan Wei, Dalian (CN)

(73) Assignee: **Samsung Electronic Co., Ltd.**,
Suwon-Si (KR)

(**) Term: **14 Years**

(21) Appl. No.: **29/453,902**

(22) Filed: **May 3, 2013**

Related U.S. Application Data

(63) Continuation of application No. 29/449,802, filed on
Mar. 15, 2013.

(51) **LOC (10) Cl.** **14-02**

(52) **U.S. Cl.**
USPC **D14/344**

(58) **Field of Classification Search**
USPC D14/341-347, 420, 426, 427;
D10/30-32, 37-39, 65; 368/281-282,
368/294-296; 455/100; 361/679.03;
379/433.1; D11/3-5
See application file for complete search history.

(56) **References Cited**

U.S. PATENT DOCUMENTS

D282,914 S 3/1986 Maron
D284,949 S 8/1986 Kong
D297,121 S 8/1988 Porsche et al.
D302,664 S 8/1989 Dawson, Jr.
D335,263 S * 5/1993 Willis D11/3
D351,558 S 10/1994 Moon
5,361,169 A * 11/1994 Deal 359/838
D356,960 S 4/1995 Courteault

D362,396 S * 9/1995 Chester D10/32
D384,661 S * 10/1997 Burrell et al. D14/137
D433,949 S 11/2000 Helleu
D455,356 S * 4/2002 Saffer D10/32
D519,858 S * 5/2006 Migliorati D10/39

(Continued)

OTHER PUBLICATIONS

Pebble smartwatch, posted Jan. 25, 2013 [online], [retrieved Aug. 22,
2013]. Retrieved from Internet, <http://www.engadget.com/2013/01/25/pebble-smartwatch-review/>.*

(Continued)

Primary Examiner — Barbara Fox

(74) *Attorney, Agent, or Firm* — Sughrue Mion, PLLC

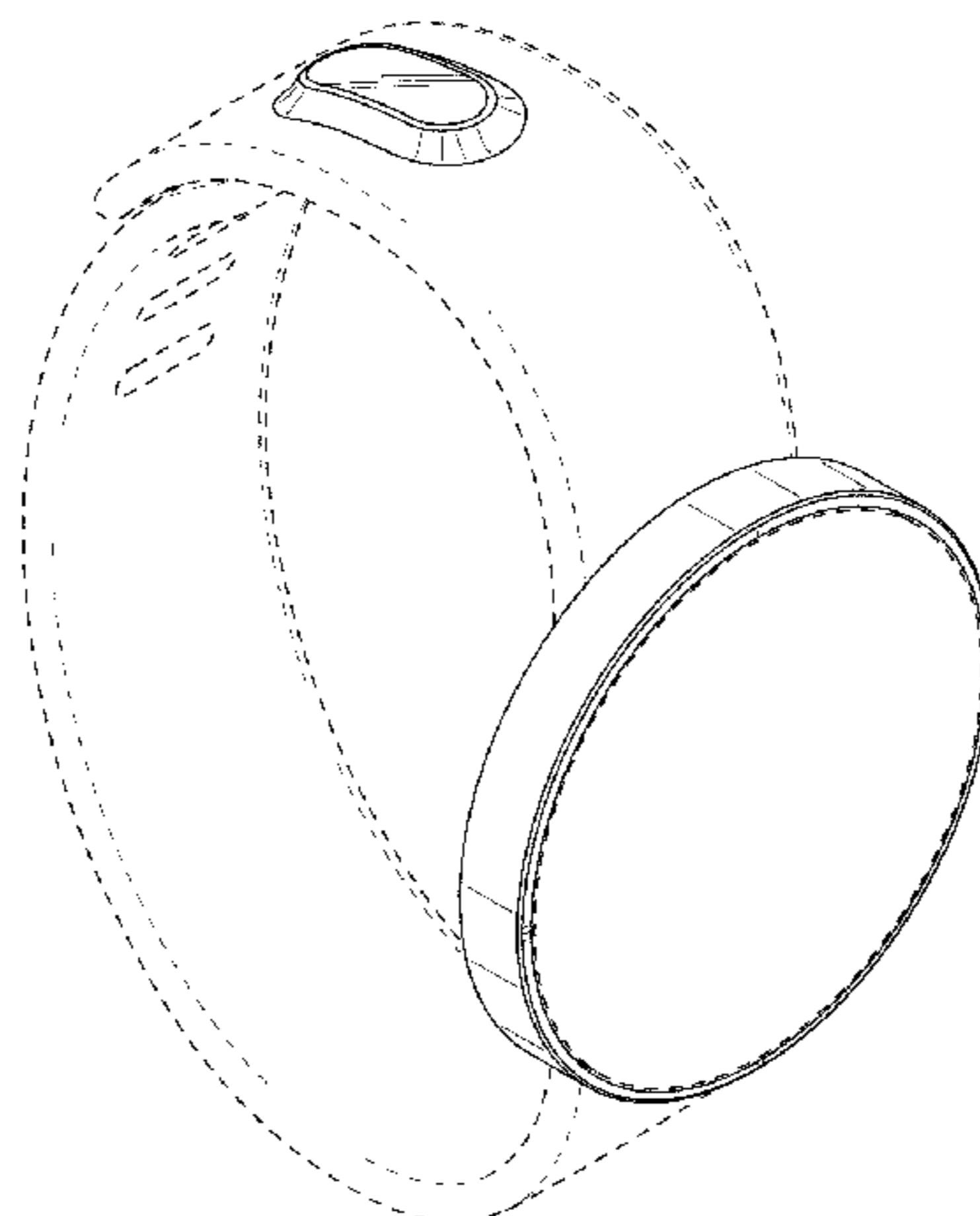
(57) **CLAIM**

The ornamental design for an electronic device, as shown and
described.

DESCRIPTION

FIG. 1 is a top front perspective view of an electronic device
showing our new design;
FIG. 2 is a front elevational view thereof;
FIG. 3 is a rear elevational view thereof;
FIG. 4 is a left side elevational view thereof;
FIG. 5 is a right side elevational view thereof;
FIG. 6 is a top plan view thereof;
FIG. 7 is a bottom plan view thereof;
FIG. 8 is an additional top front perspective view thereof with
the electronic device shown at a different direction from that
of FIG. 1; and,
FIG. 9 is an additional top front perspective view thereof with
the electronic device shown at a different direction from that
of FIG. 1 in a case where a terminal portion of the band is
partially truncated.
The broken lines shown in the drawings represent portions of
the electronic device which form no part of the claimed
design.

1 Claim, 4 Drawing Sheets



(56)

References Cited

U.S. PATENT DOCUMENTS

D543,122 S	5/2007	Lafever et al.	
D545,305 S *	6/2007	Mulcahy et al.	D14/346
D550,105 S *	9/2007	Oberrieder et al.	D10/65
D554,636 S *	11/2007	Tom et al.	D14/346
D564,367 S *	3/2008	Molyneux	D10/31
7,398,151 B1 *	7/2008	Burrell et al.	701/410
D610,472 S *	2/2010	Nashimoto	D10/32
D612,269 S *	3/2010	Leung	D10/32
D615,955 S *	5/2010	Oh et al.	D14/138 AA
D671,858 S *	12/2012	Cobbett et al.	D11/3

OTHER PUBLICATIONS

Zypad WL 1000, posted Jun. 29, 2007 [online], [retrieved Aug. 22, 2013]. Retrieved from Internet, <http://www.pocket-lint.com/news/81360-zypad-wl1000-futuristic-wearable-computer>.*
 iWatch Concept, posted Feb. 21, 2013 [online], [retrieved Aug. 21, 2013]. Retrieved from Internet, <http://appleinsider.com>.*

Samsungpatent for a wrist watch computing device, posted Aug. 14, 2013 [online], [retrieved Aug. 21, 2013]. Retrieved from Internet, <http://appleinsider.com>.*

Microsoft "Smartwatch", posted Apr. 17, 2013 [online], [retrieved Aug. 22, 2013]. Retrieved from Internet, <http://kotaku.com/report-xbox-staff-working-on-microsoft-smartwatch-475322574>.*

Smartwatches, posted Mar. 25, 2013 [online], [retrieved Aug. 22, 2013]. Retrieved from Internet, <http://www.trustedreviews.com/opinions/smart-watches-fad-or-the-future>.*

Microsoft smartwatch, posted Apr. 15, 2013 [online], [retrieved Aug. 22, 2013]. Retrieved from Internet, <http://www.digitaltrends.com>.*

Samsung SPH-WP10, posted Mar. 21, 2013 [online], [retrieved Aug. 21, 2013]. Retrieved from Internet, <http://appleinsider.com>.*

Sony SmartWatch, posted Mar. 19, 2012 [online], [retrieved Aug. 22, 2013]. Retrieved from Internet, <http://www.theverge.com/2012/3/19/2876341/sony-smartwatch-review>.*

Microsof SPTO Watch Smartwatch, posted Mar. 11, 2013 [online], [retrieved Aug. 22, 2013]. Retrieved from Internet, <http://www.smartwatchnews.org/2004-microsoft-spot-watch-smartwatch/>.*

I'm Watch, posted Jan. 10, 2012 [online], [retrieved Aug. 22, 2013]. Retrieved from Internet, <http://www.theverge.com>.*

* cited by examiner

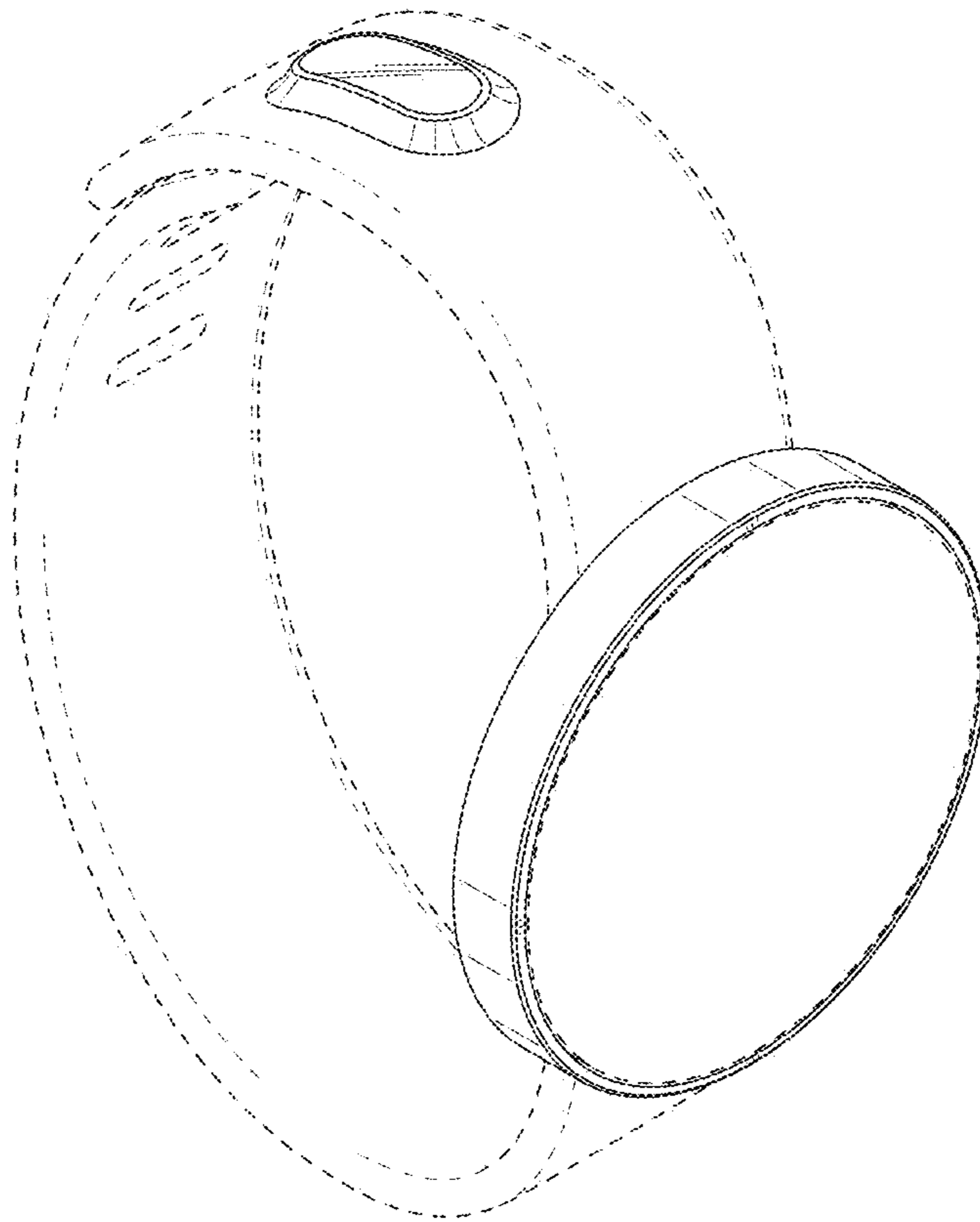


FIG. 1

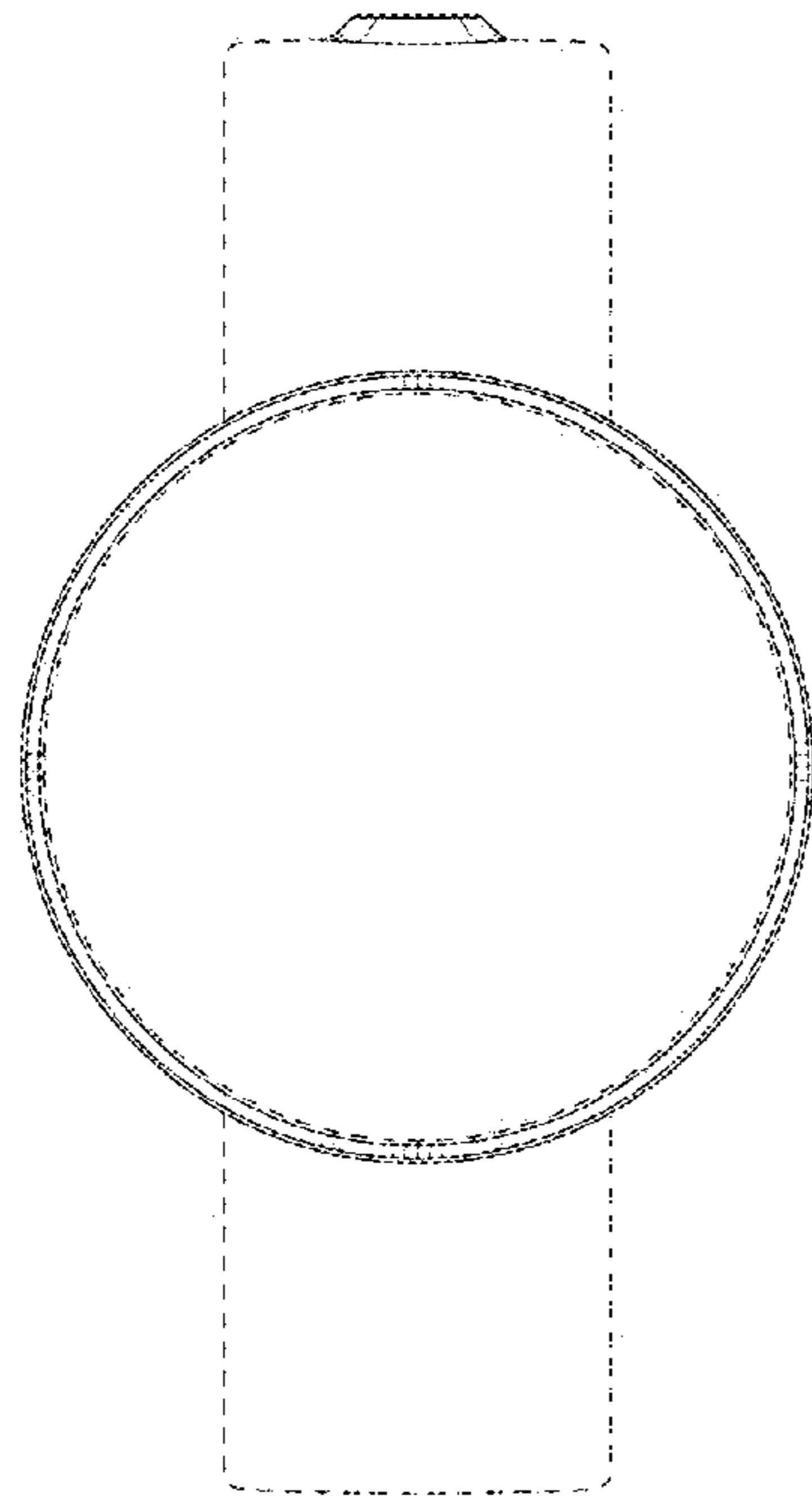


FIG. 2

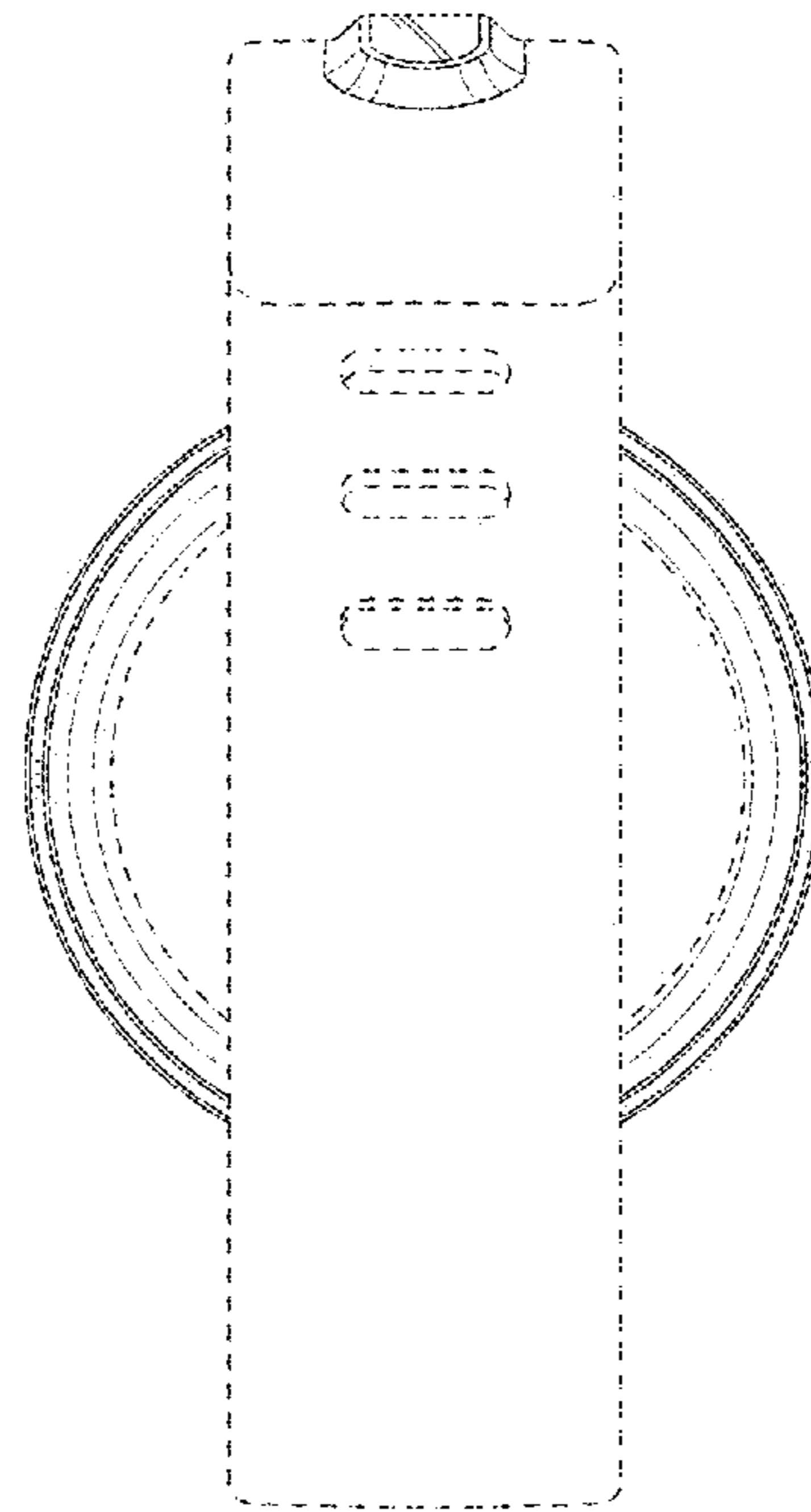


FIG. 3

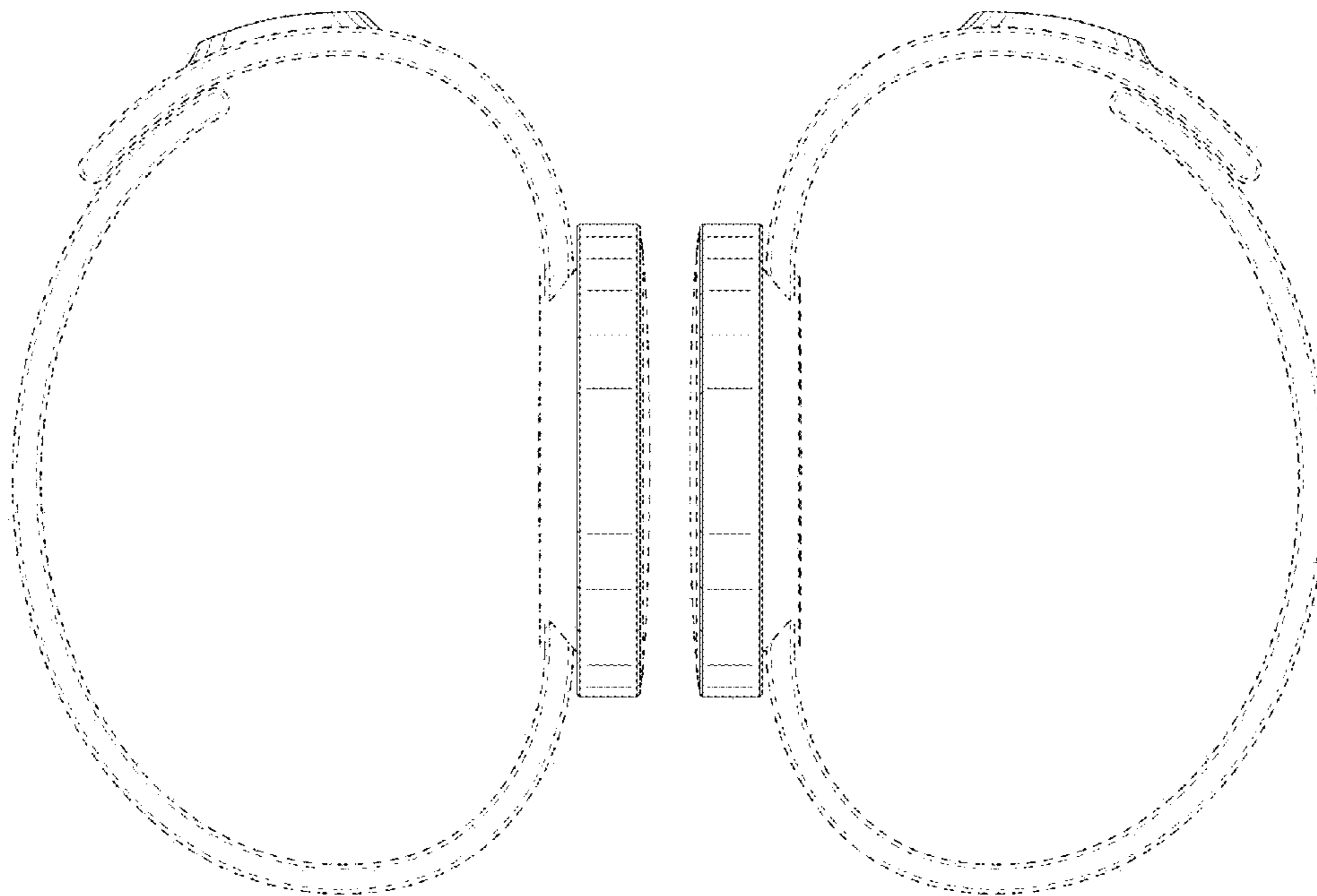


FIG. 4

FIG. 5

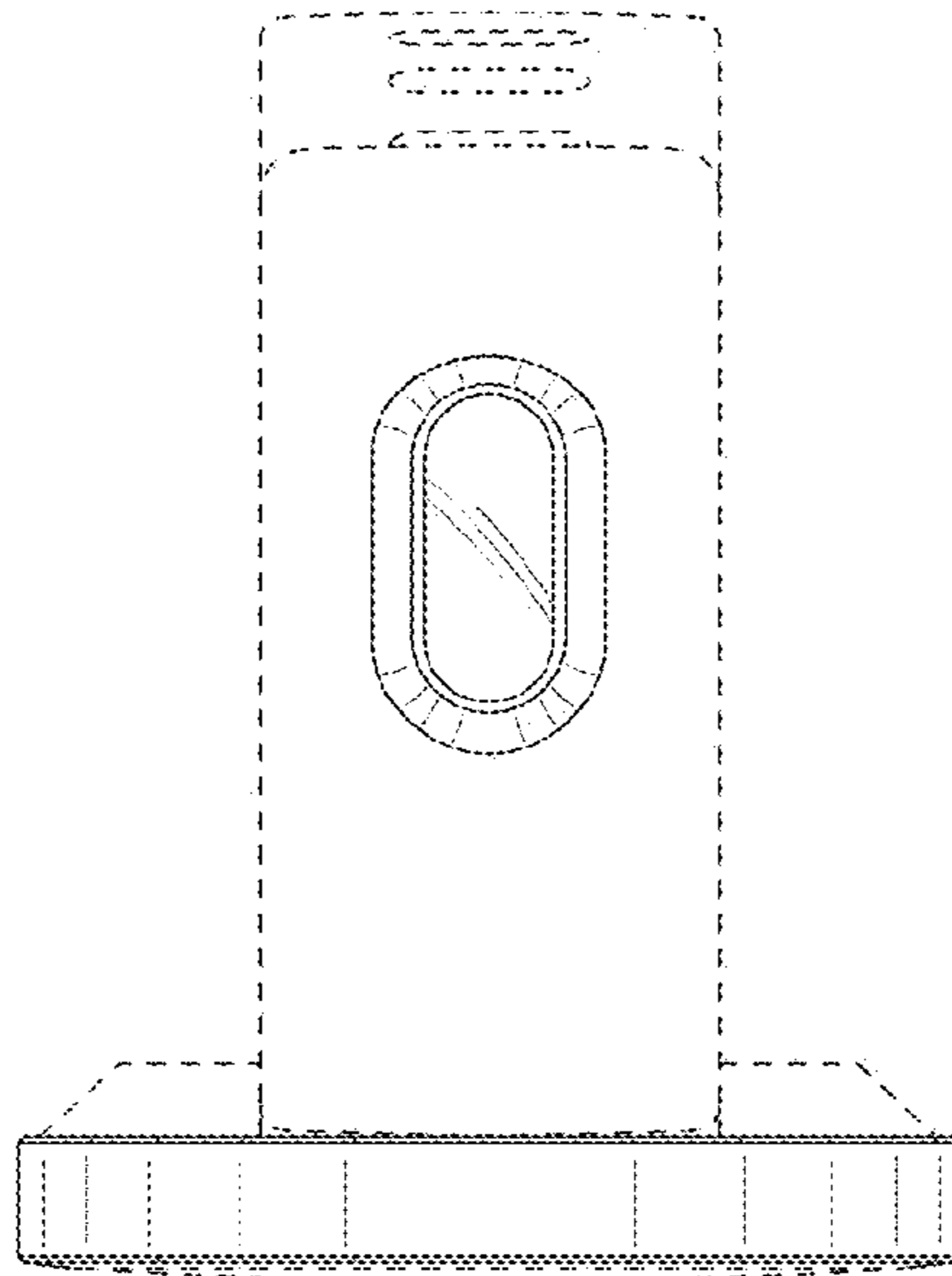


FIG. 6

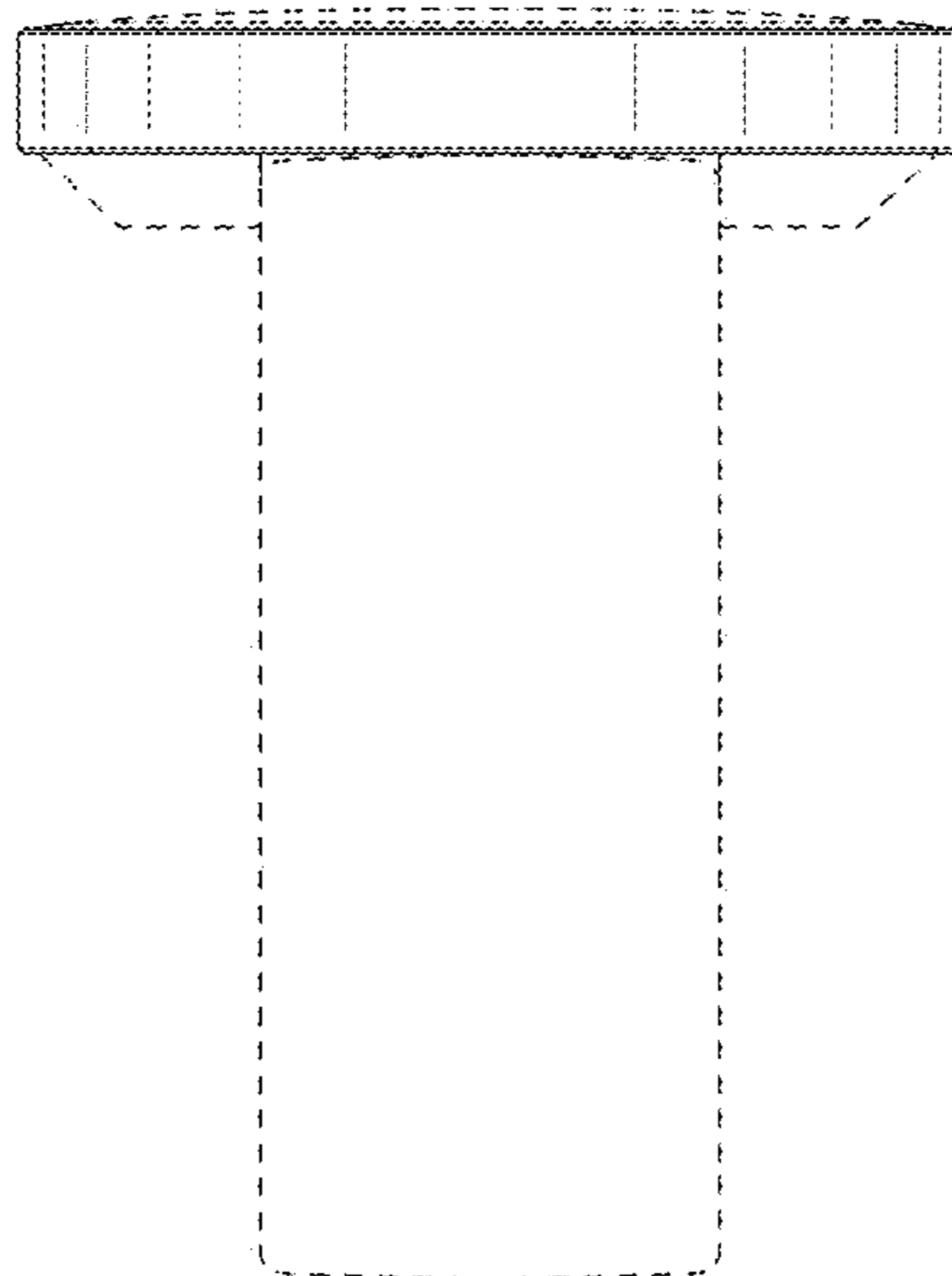


FIG. 7

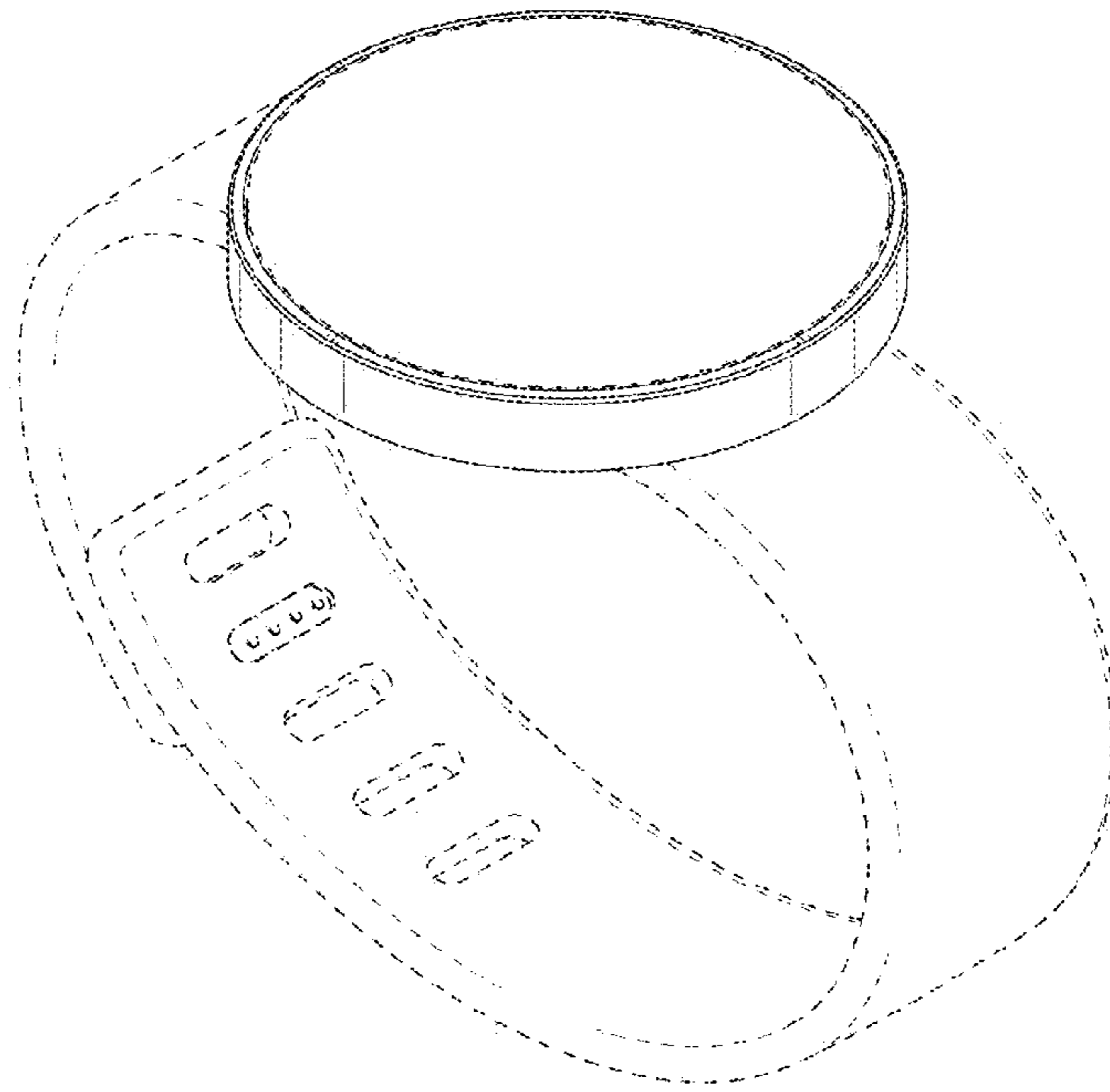


FIG. 8

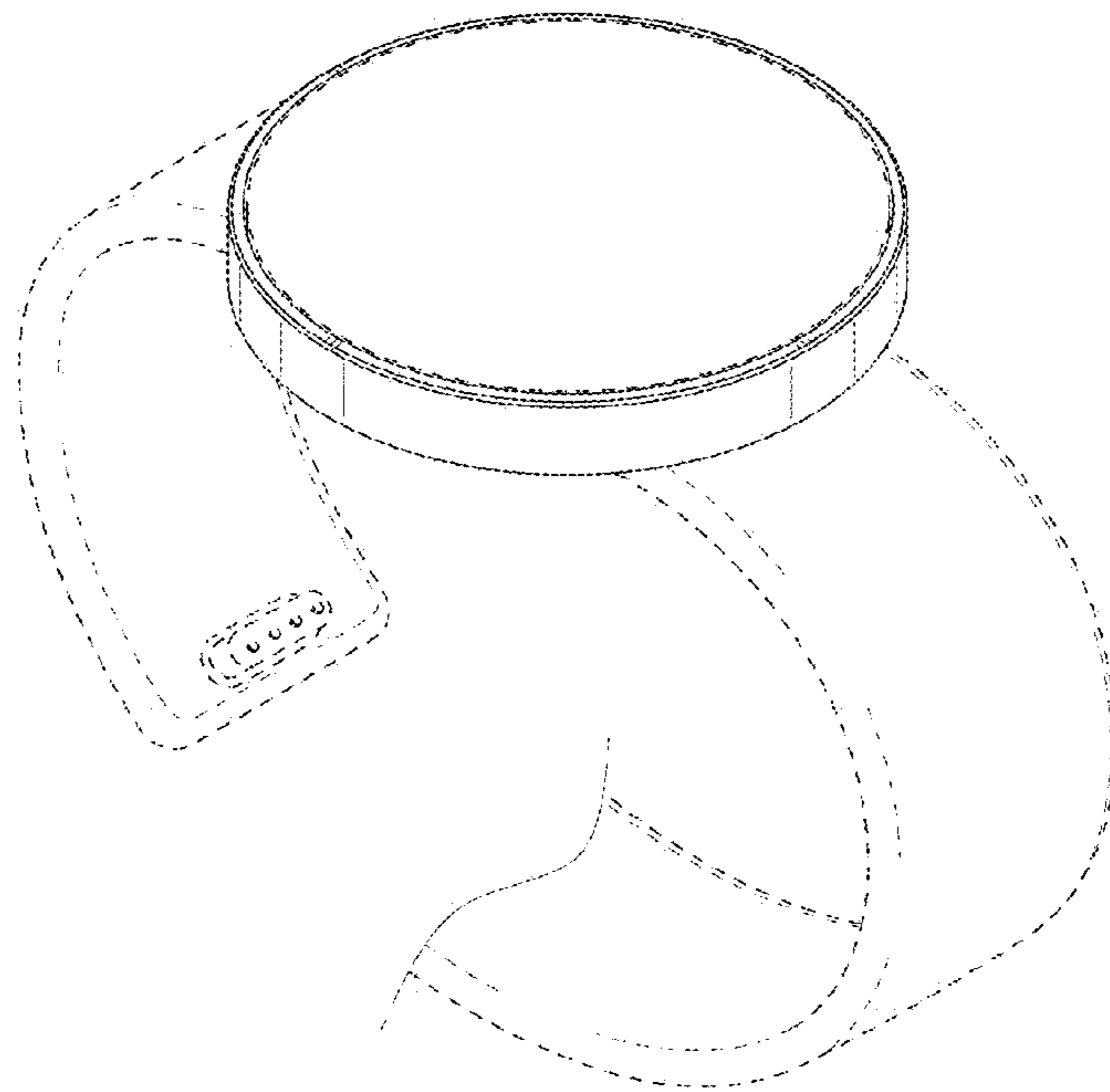


FIG. 9