



US00D710844S

(12) **United States Design Patent**
Lee et al.

(10) **Patent No.:** **US D710,844 S**
(45) **Date of Patent:** **** Aug. 12, 2014**

(54) **PORTABLE COMPUTING DEVICE**

(71) Applicant: **Bluebird Soft Inc.**, Seoul (KR)

(72) Inventors: **Jang Won Lee**, Seoul (KR); **Jung Sik Park**, Namyangju-si (KR); **Hack Nam Yoon**, Bucheon-si (KR)

(73) Assignee: **Bluebird Soft Inc.** (KR)

(**) Term: **14 Years**

(21) Appl. No.: **29/446,800**

(22) Filed: **Feb. 27, 2013**

(30) **Foreign Application Priority Data**

Aug. 31, 2012 (KR) 30-2012-0042112

(51) **LOC (10) Cl.** **14-04**

(52) **U.S. Cl.**
USPC **D14/341**

(58) **Field of Classification Search**
USPC D14/341-347, 137, 138 R, 138 AA,
D14/138 C, 138 G, 496, 203.1, 203.3, 203.4,
D14/203.7, 129, 130, 147, 218, 248, 389,
D14/388, 426, 420; D10/65, 104.1;
D18/6-7; D21/324, 329, 330;
455/556.1, 556.2, 566, 575.1, 90.3;
379/433.04, 433.01, 433.06, 916;
345/173, 901, 905; 361/679.26, 679.3,
361/679.55, 679.56

See application file for complete search history.

(56) **References Cited**

U.S. PATENT DOCUMENTS

D602,487 S * 10/2009 Maskatia D14/341
D617,793 S * 6/2010 Chiang et al. D14/341

D641,018 S * 7/2011 Lee et al. D14/341
D645,435 S * 9/2011 Kim et al. D14/138 G
D654,460 S * 2/2012 Kim et al. D14/138 G
D654,899 S * 2/2012 Jung D14/138 G
D655,287 S * 3/2012 de Jong et al. D14/341
D663,297 S * 7/2012 de Jong et al. D14/341
D663,298 S * 7/2012 Song et al. D14/341
D664,954 S * 8/2012 Kim et al. D14/341
D667,396 S * 9/2012 Koh D14/341
D667,825 S * 9/2012 Jung D14/341
D668,650 S * 10/2012 Han D14/341
D668,651 S * 10/2012 Kim et al. D14/341
D669,468 S * 10/2012 Akana et al. D14/341
D670,286 S * 11/2012 Akana et al. D14/341
D670,692 S * 11/2012 Akana et al. D14/341
D671,514 S * 11/2012 Kim et al. D14/138 G
D674,369 S * 1/2013 JaeWoong D14/138 G
D687,825 S * 8/2013 Lee et al. D14/341

* cited by examiner

Primary Examiner — Barbara Fox

(74) *Attorney, Agent, or Firm* — Cantor Colburn LLP

(57) **CLAIM**

The ornamental design for a portable computing device, as shown and described.

DESCRIPTION

FIG. 1 is a front perspective view of a portable computing device showing our new design;
FIG. 2 is a rear perspective view thereof;
FIG. 3 is a front view thereof;
FIG. 4 is a rear view thereof;
FIG. 5 is a left side view thereof;
FIG. 6 is a right side view thereof;
FIG. 7 is a top plan view thereof; and,
FIG. 8 is a bottom plan view thereof.

1 Claim, 7 Drawing Sheets

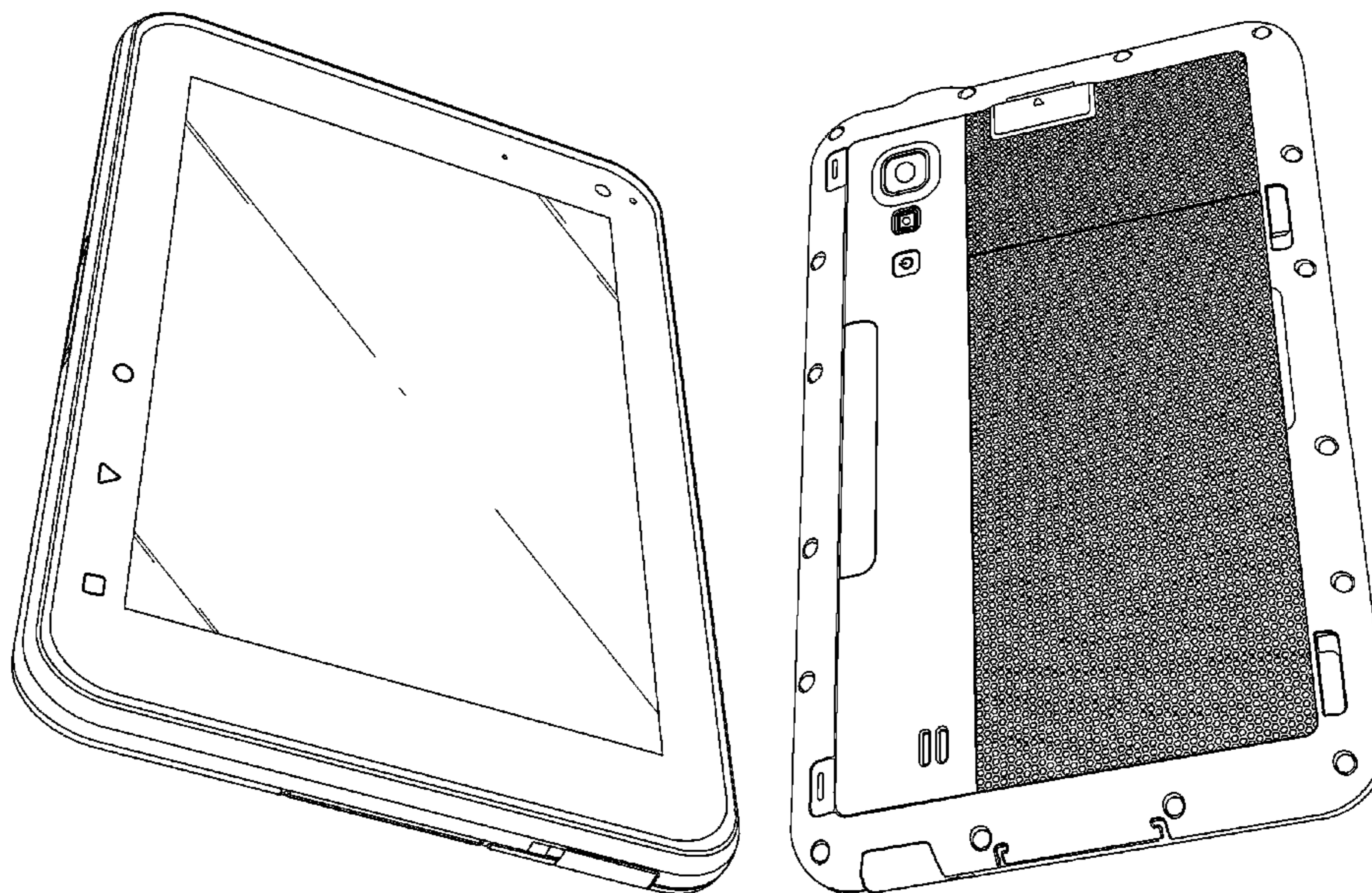


FIG. 1

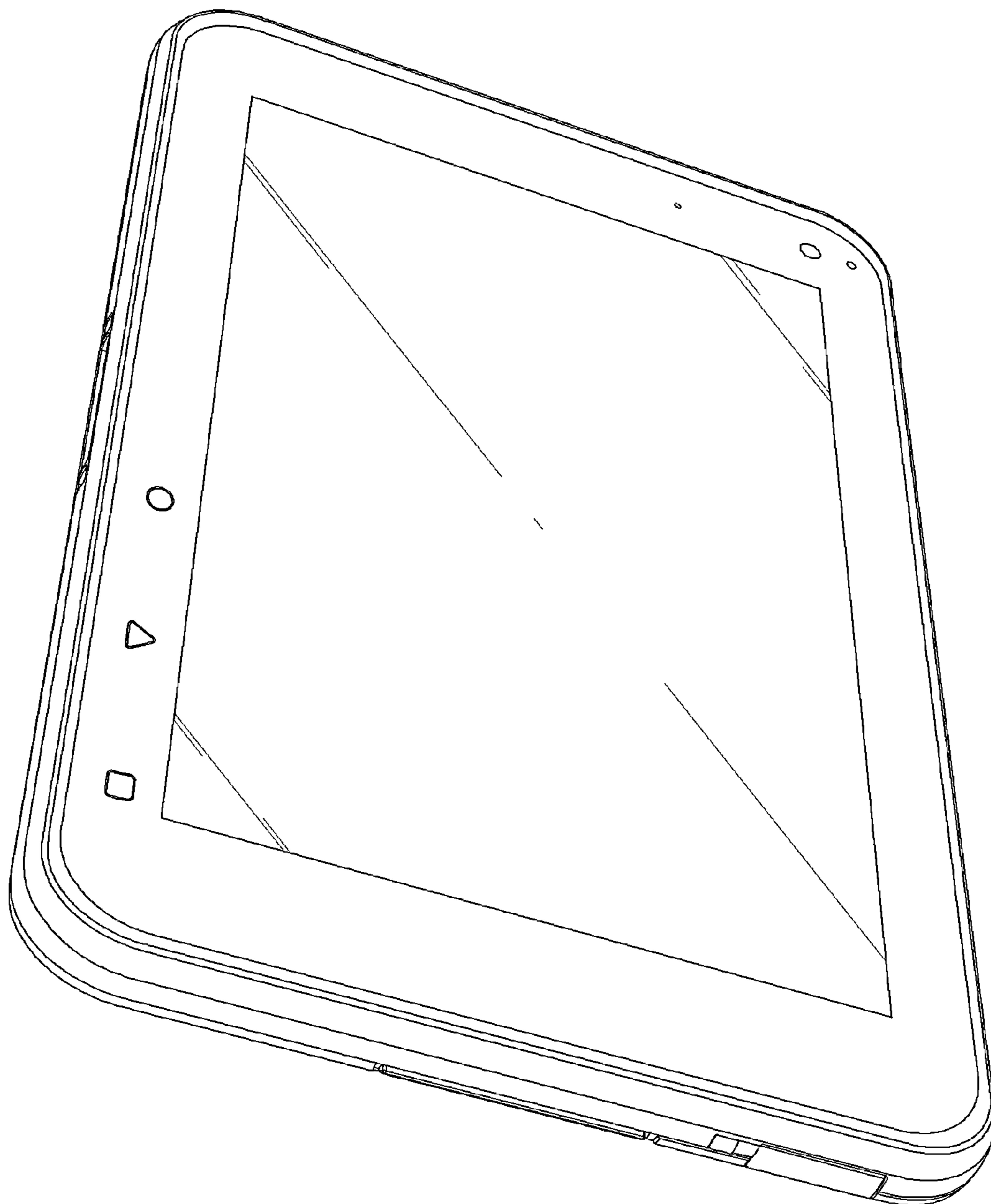


FIG. 2

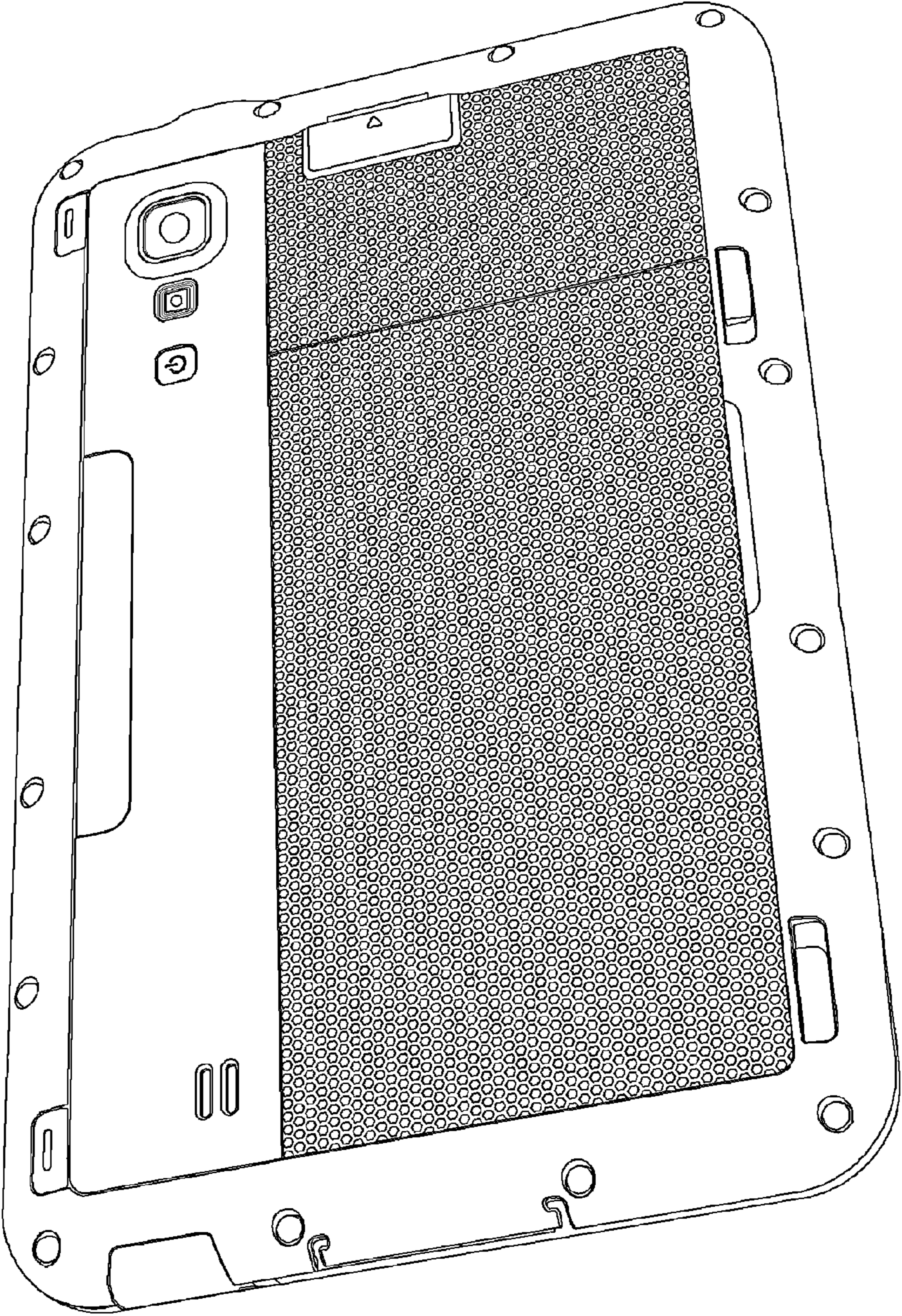


FIG. 3

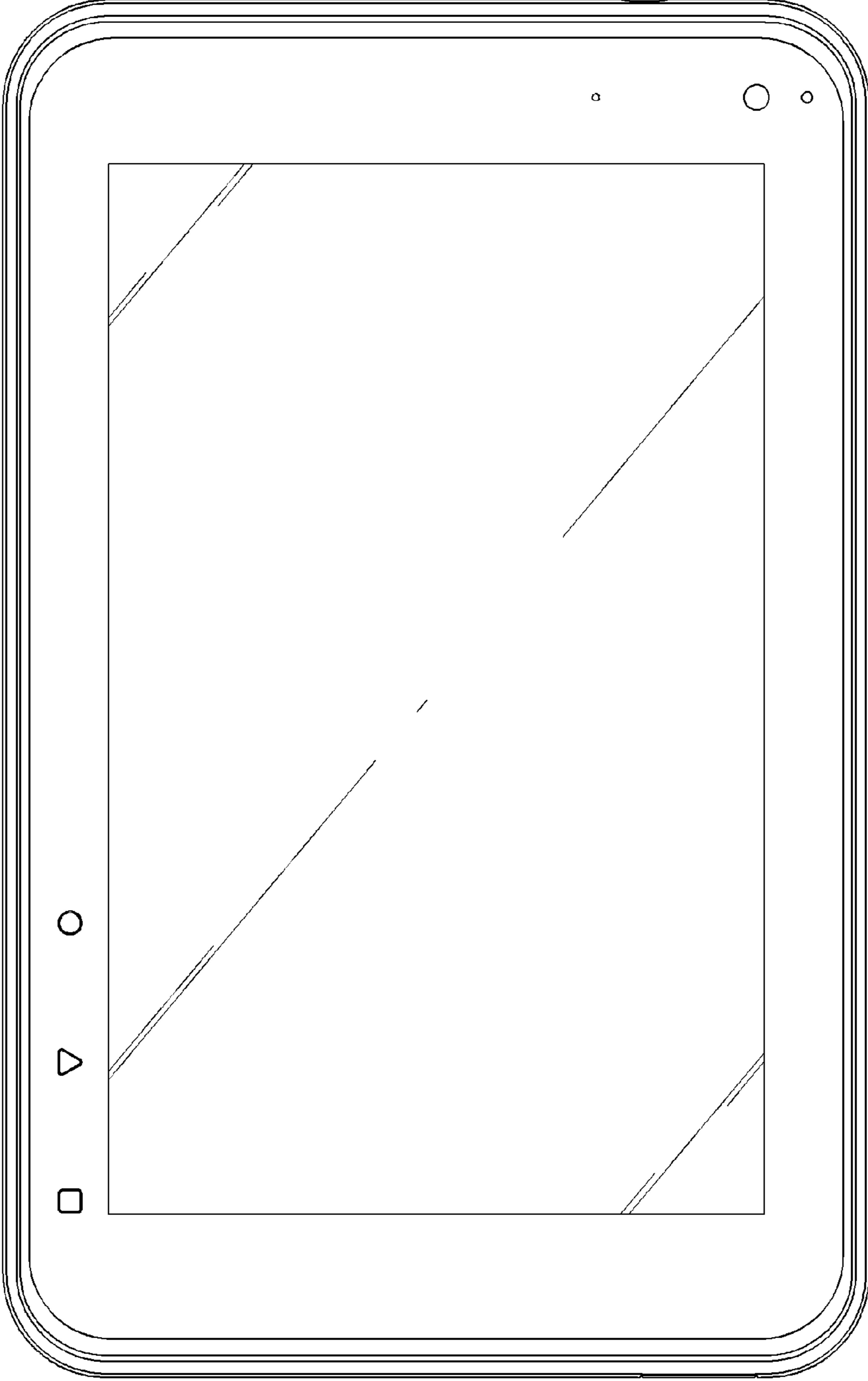


FIG. 4

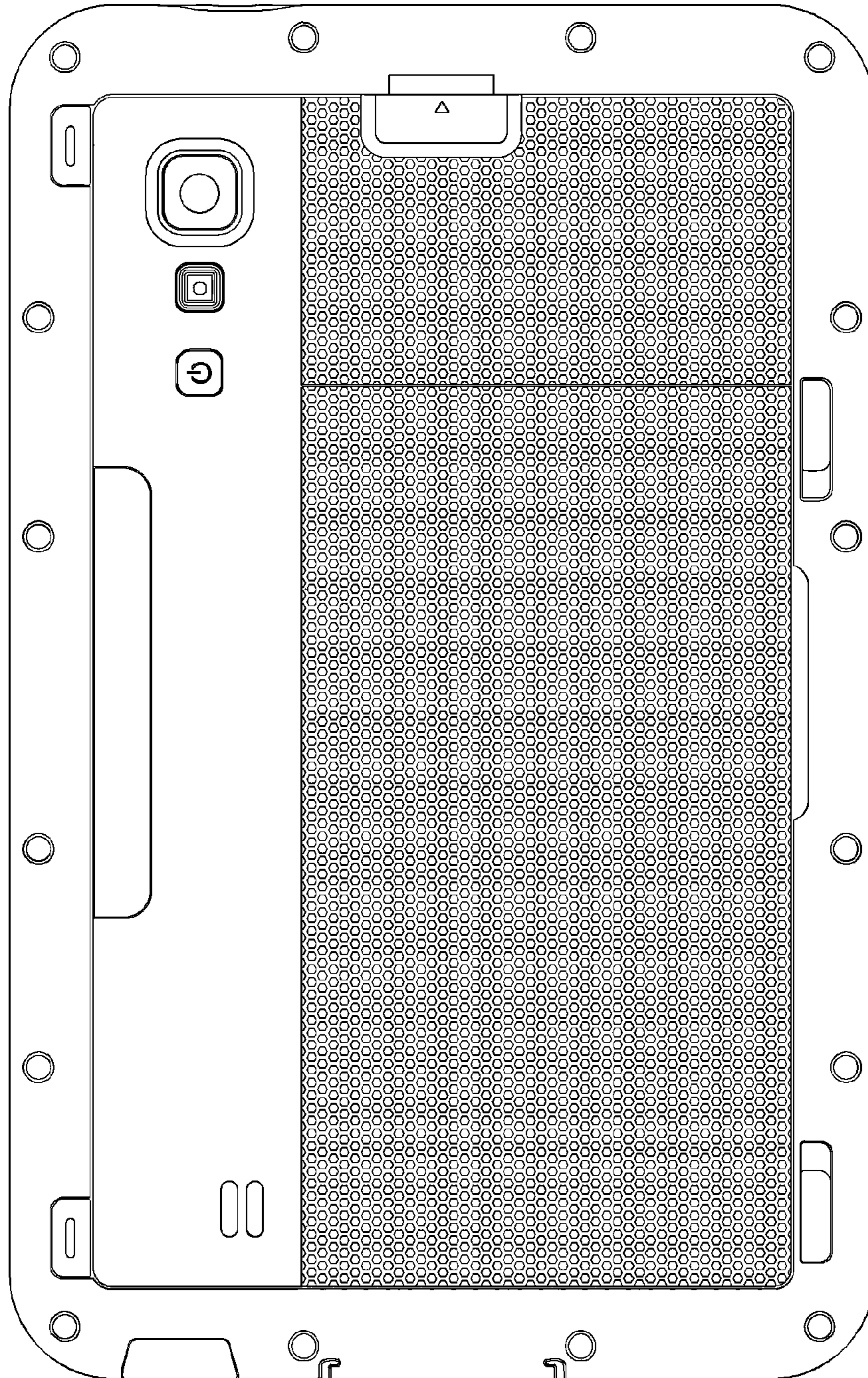


FIG. 5

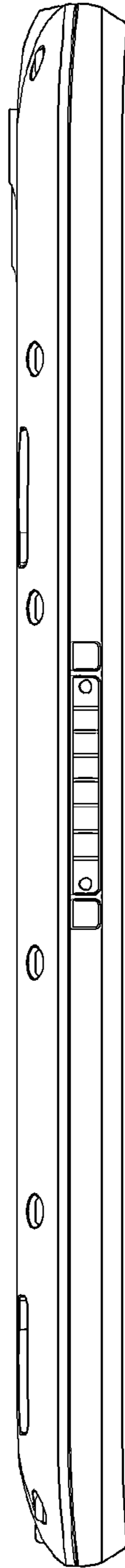


FIG. 6

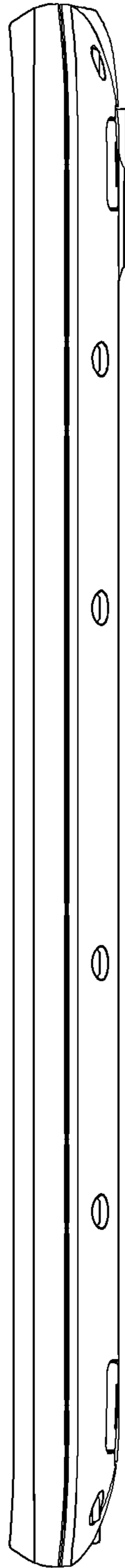


FIG. 7

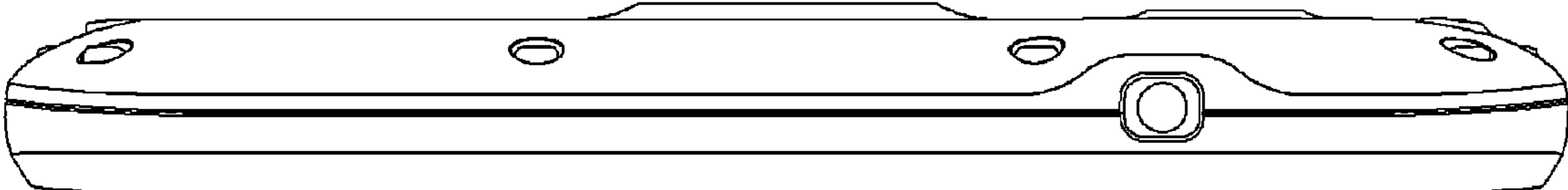


FIG. 8

