



US00D710842S

(12) **United States Design Patent**
Ho

(10) **Patent No.:** **US D710,842 S**

(45) **Date of Patent:** **** Aug. 12, 2014**

(54) **TABLET PC WITH STAND**

(75) Inventor: **Ming-Ling Ho**, New Taipei (TW)

(73) Assignee: **Acer Incorporated**, New Taipei (TW)

(**) Term: **14 Years**

(21) Appl. No.: **29/427,497**

(22) Filed: **Jul. 19, 2012**

(30) **Foreign Application Priority Data**

May 14, 2012 (TW) 101302764

(51) **LOC (10) Cl.** **14-02**

(52) **U.S. Cl.**

USPC **D14/341**

(58) **Field of Classification Search**

USPC D14/341-347, 137, 138 R, 138 AA,
D14/138 C, 138 G, 496, 203.1, 203.3, 203.4,
D14/203.7, 129, 130, 147, 218, 248, 389,
D14/388, 426, 420; D10/65, 104.1;
D18/6-7; D21/324, 329, 330;
455/556.1, 556.2, 566, 575.1, 90.3;
379/433.04, 433.01, 433.06, 916;
345/173, 901, 905; 361/679.26, 679.3,
361/679.55, 679.56

See application file for complete search history.

(56) **References Cited**

U.S. PATENT DOCUMENTS

D444,465 S * 7/2001 Do D14/341
D531,417 S * 11/2006 Saenz et al. D6/308
D559,251 S * 1/2008 Sandmael D14/374
D587,261 S * 2/2009 Skaf et al. D14/341
7,969,732 B1 * 6/2011 Noble 361/679.56
D651,812 S * 1/2012 Lee et al. D6/300

D661,123 S * 6/2012 Curbbun et al. D6/396
D661,124 S * 6/2012 Curbbun et al. D6/396
D677,660 S * 3/2013 Groene et al. D14/341
D678,877 S * 3/2013 Groene et al. D14/341
D680,110 S * 4/2013 Rossiter et al. D14/341
D689,467 S * 9/2013 Maier et al. D14/218
D690,262 S * 9/2013 Huang et al. D13/103

* cited by examiner

Primary Examiner — Barbara Fox

(74) *Attorney, Agent, or Firm* — Jianq Chyun IP Office

(57) **CLAIM**

The ornamental design for a tablet PC with stand, as shown and described.

DESCRIPTION

FIG. 1 is a perspective view of a tablet PC with stand showing my new design;

FIG. 2 is another perspective view thereof;

FIG. 3 is a front view thereof;

FIG. 4 is a rear view thereof;

FIG. 5 is a left side view thereof;

FIG. 6 is a right side view thereof;

FIG. 7 is a top view thereof;

FIG. 8 is a bottom view thereof;

FIG. 9 is an exploded view thereof, shown with the stand separate from the tablet PC;

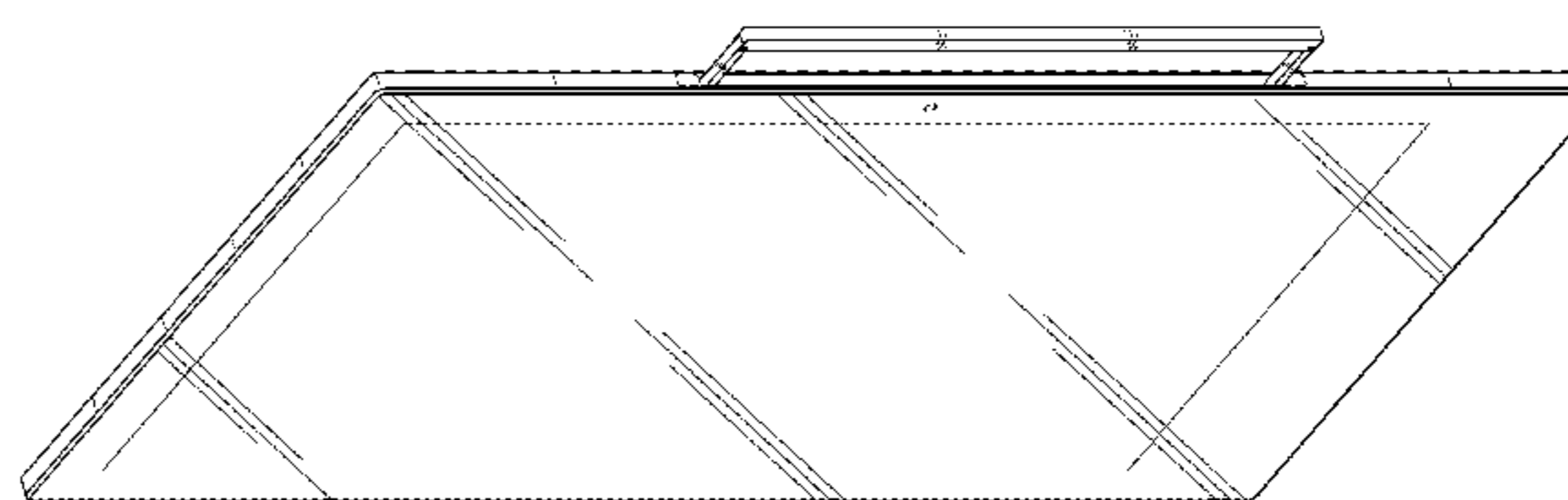
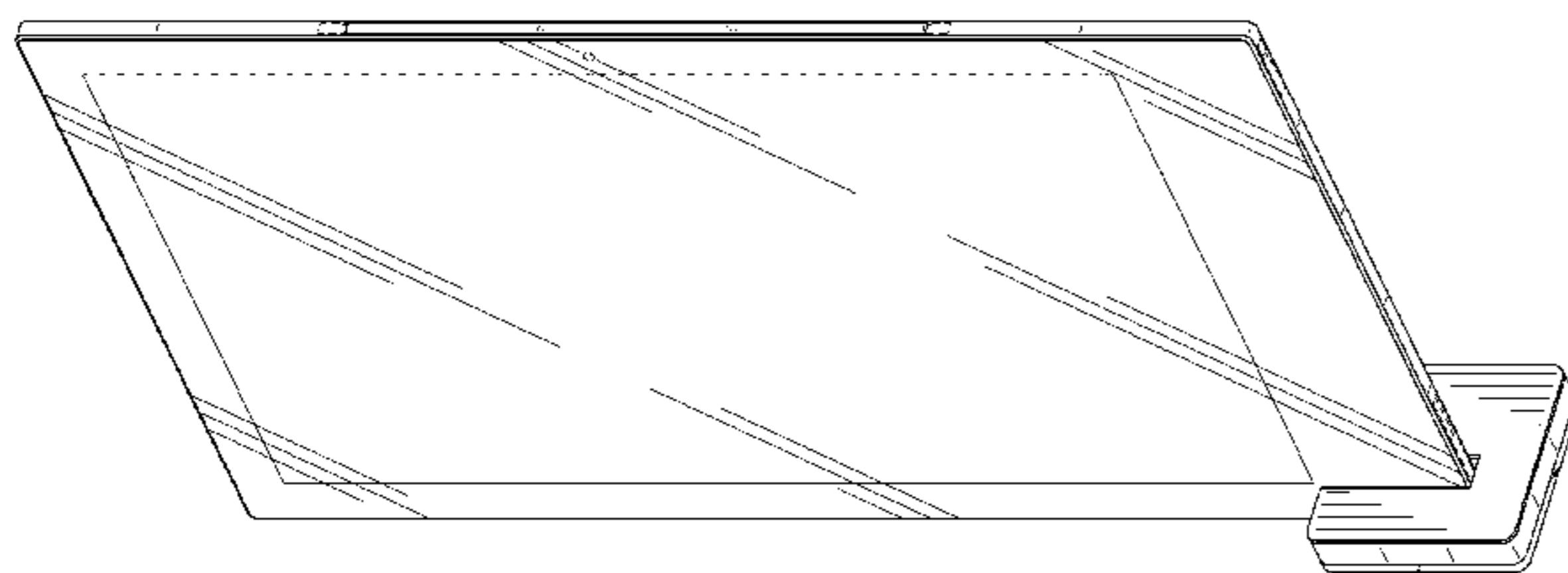
FIG. 10 is a perspective view of the table PC, shown in an alternate position, with the grip extended;

FIG. 11 is a perspective view with the tablet PC with stand, shown in an alternate position, with the tablet PC leaning against the stand; and,

FIG. 12 is an enlarged view of an indicated portion of FIG. 2.

The broken lines shown in the drawings represent portions of the tablet PC with stand which form no part of the claimed design.

1 Claim, 11 Drawing Sheets



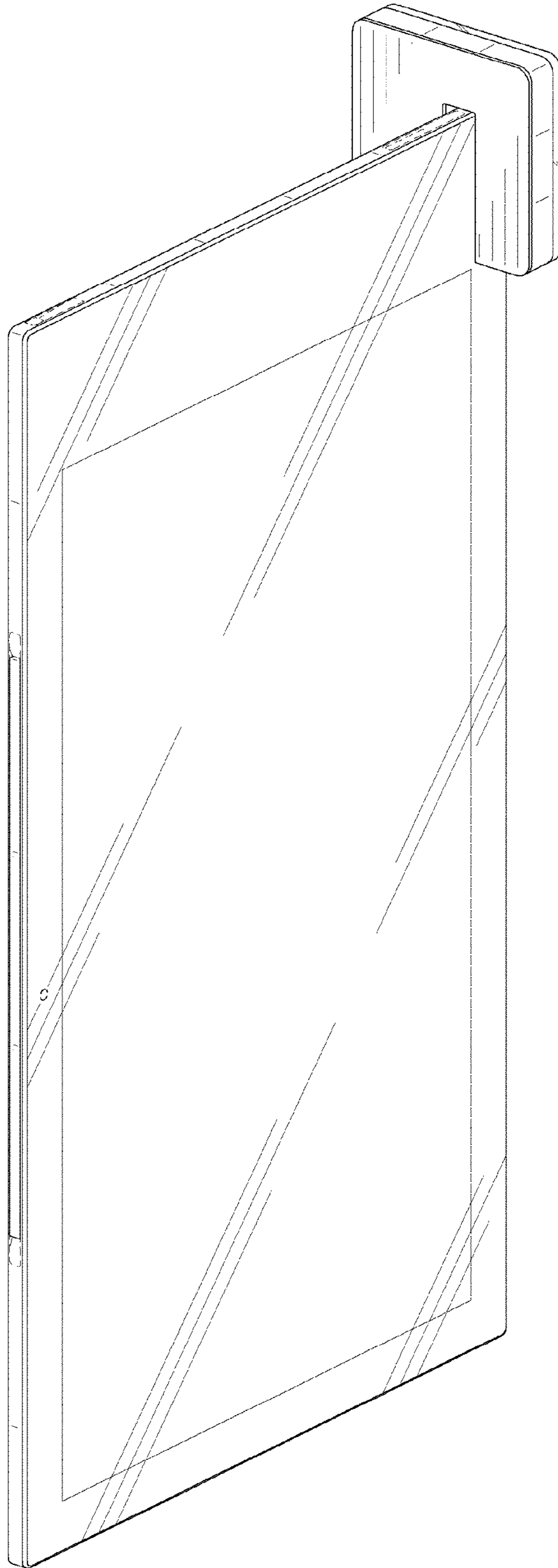


FIG. 1

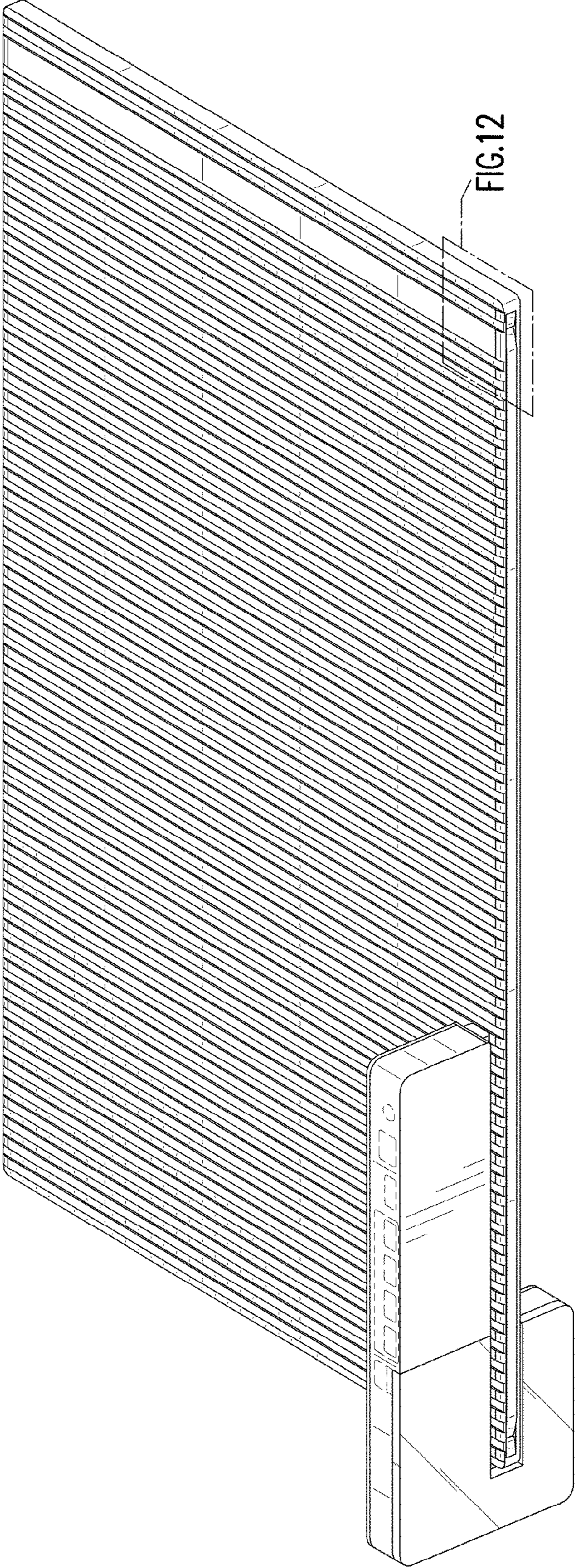


FIG. 2

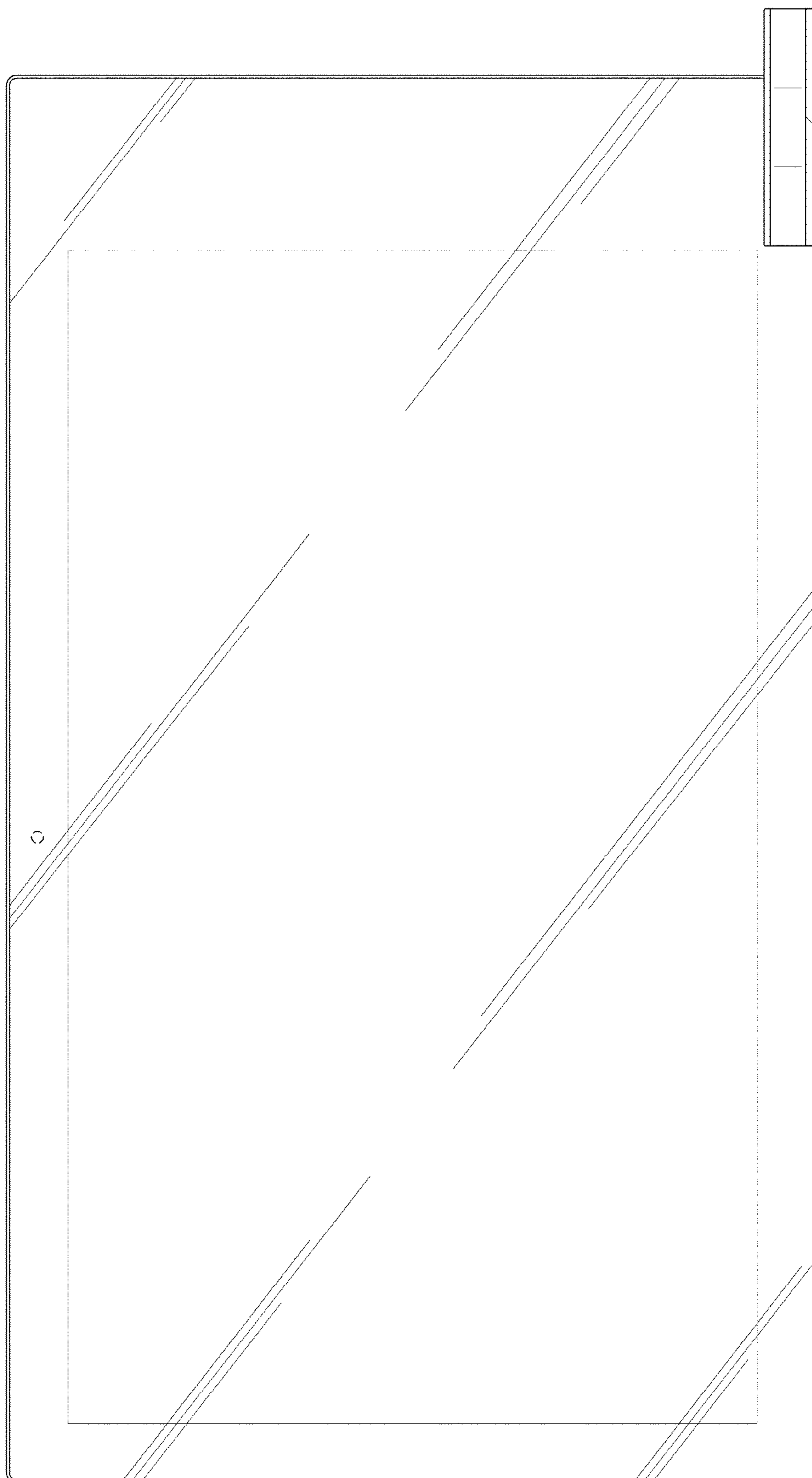


FIG. 3

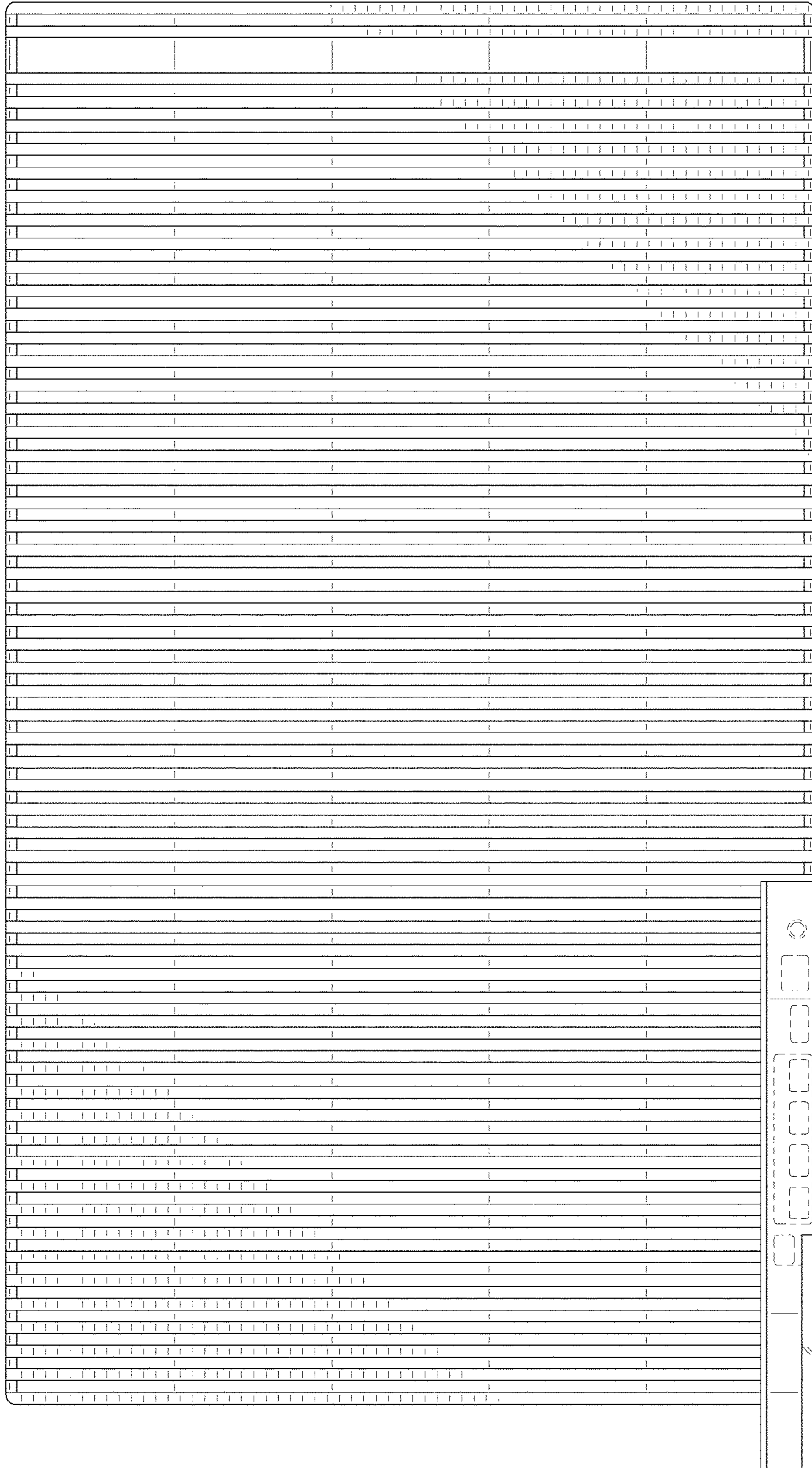


FIG. 4

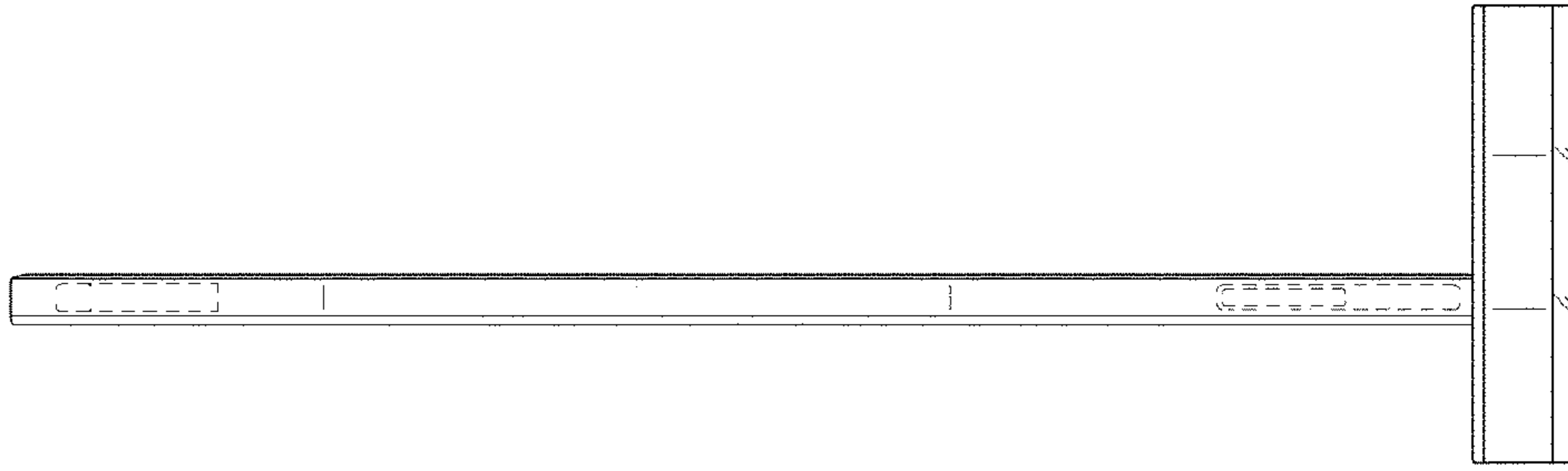


FIG. 6

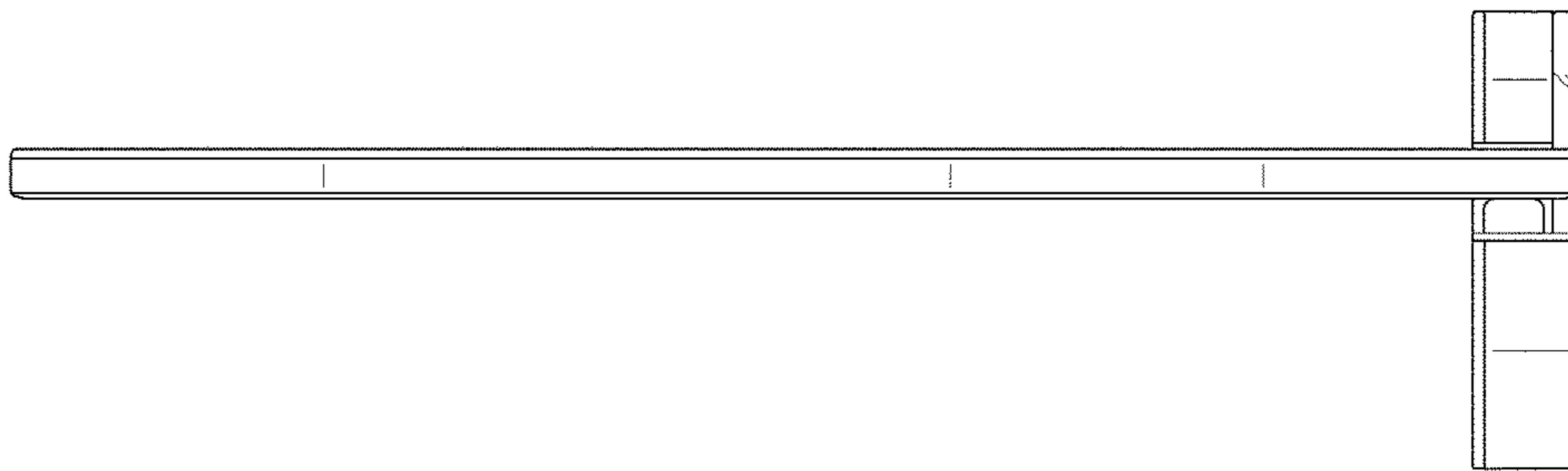


FIG. 5

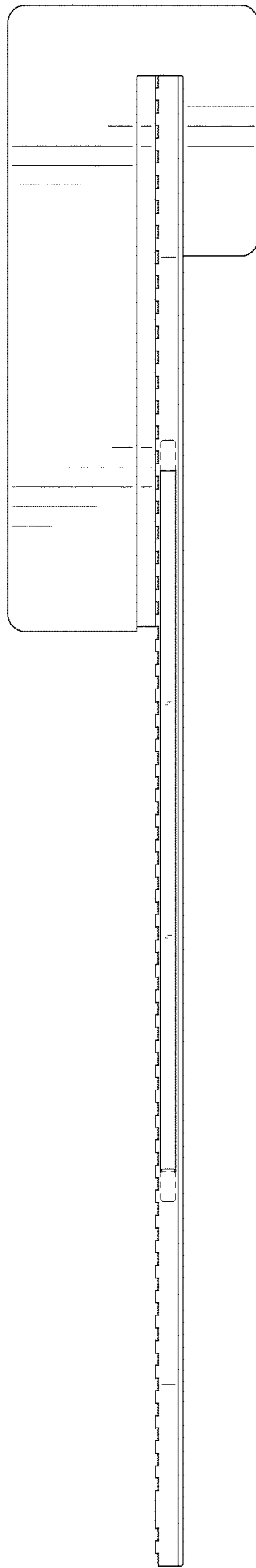


FIG. 7

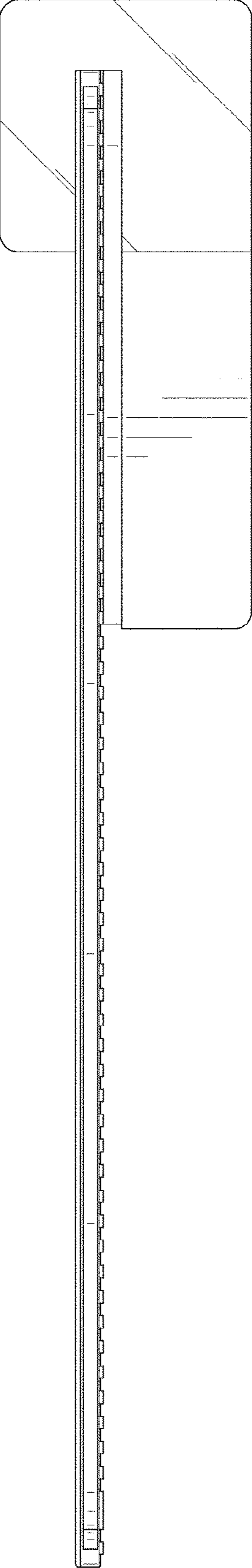


FIG. 8

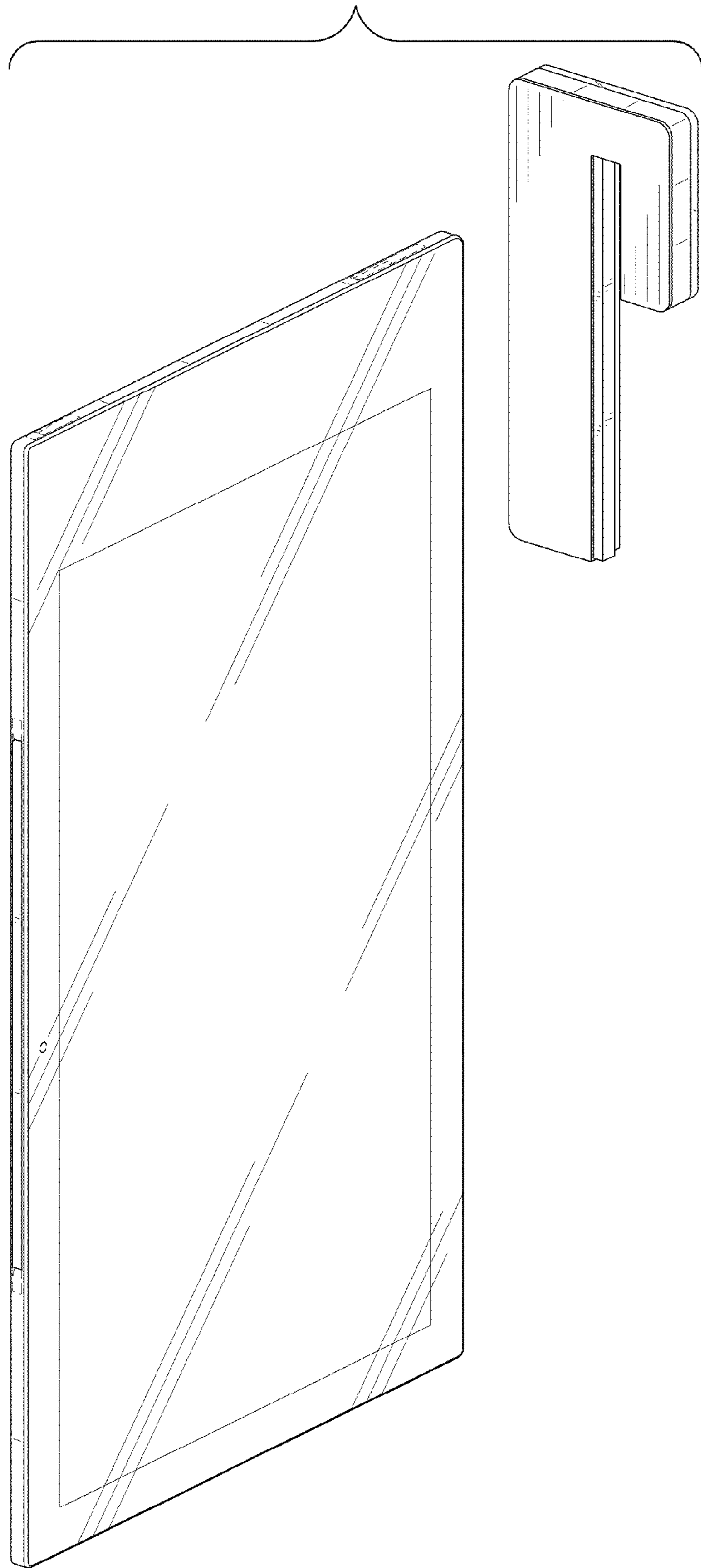


FIG. 9

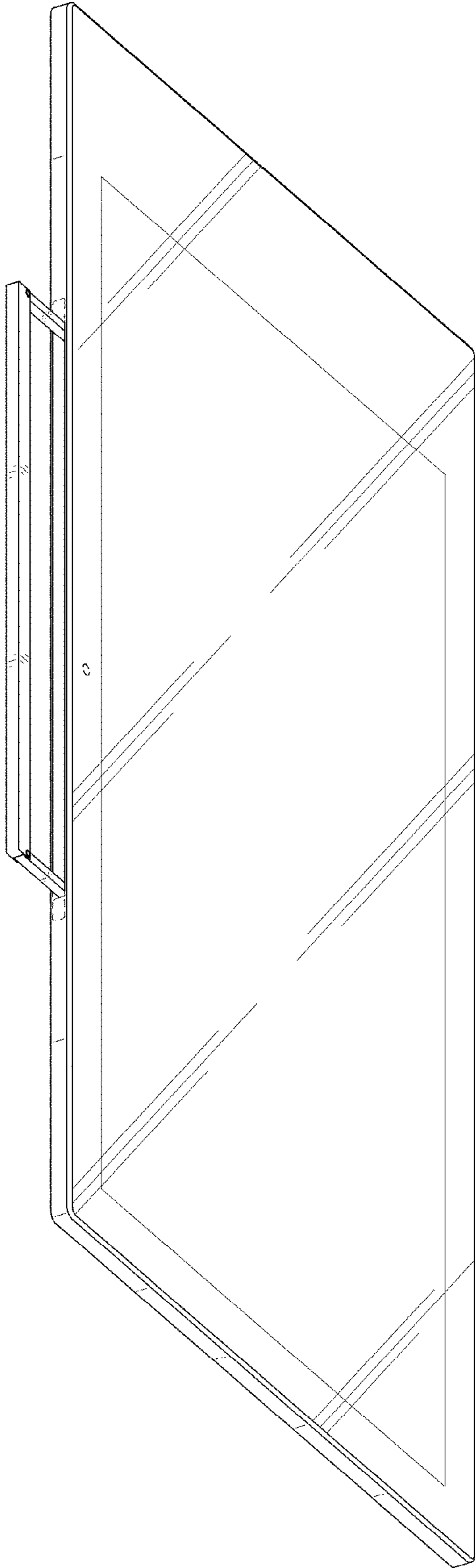


FIG. 10

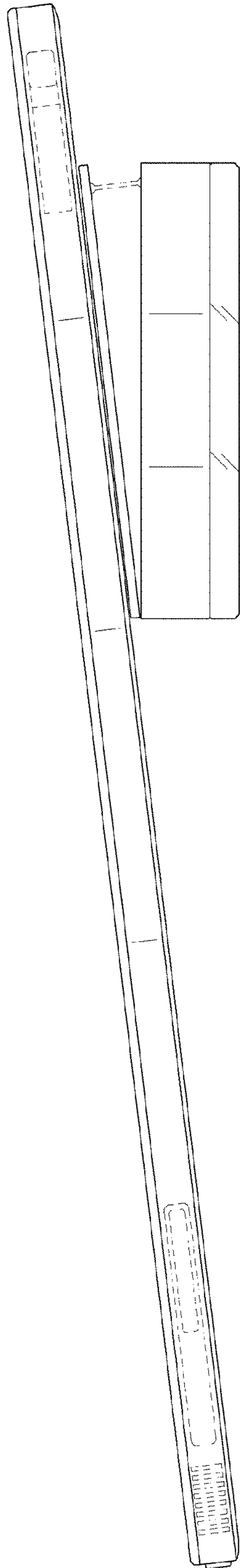


FIG. 11

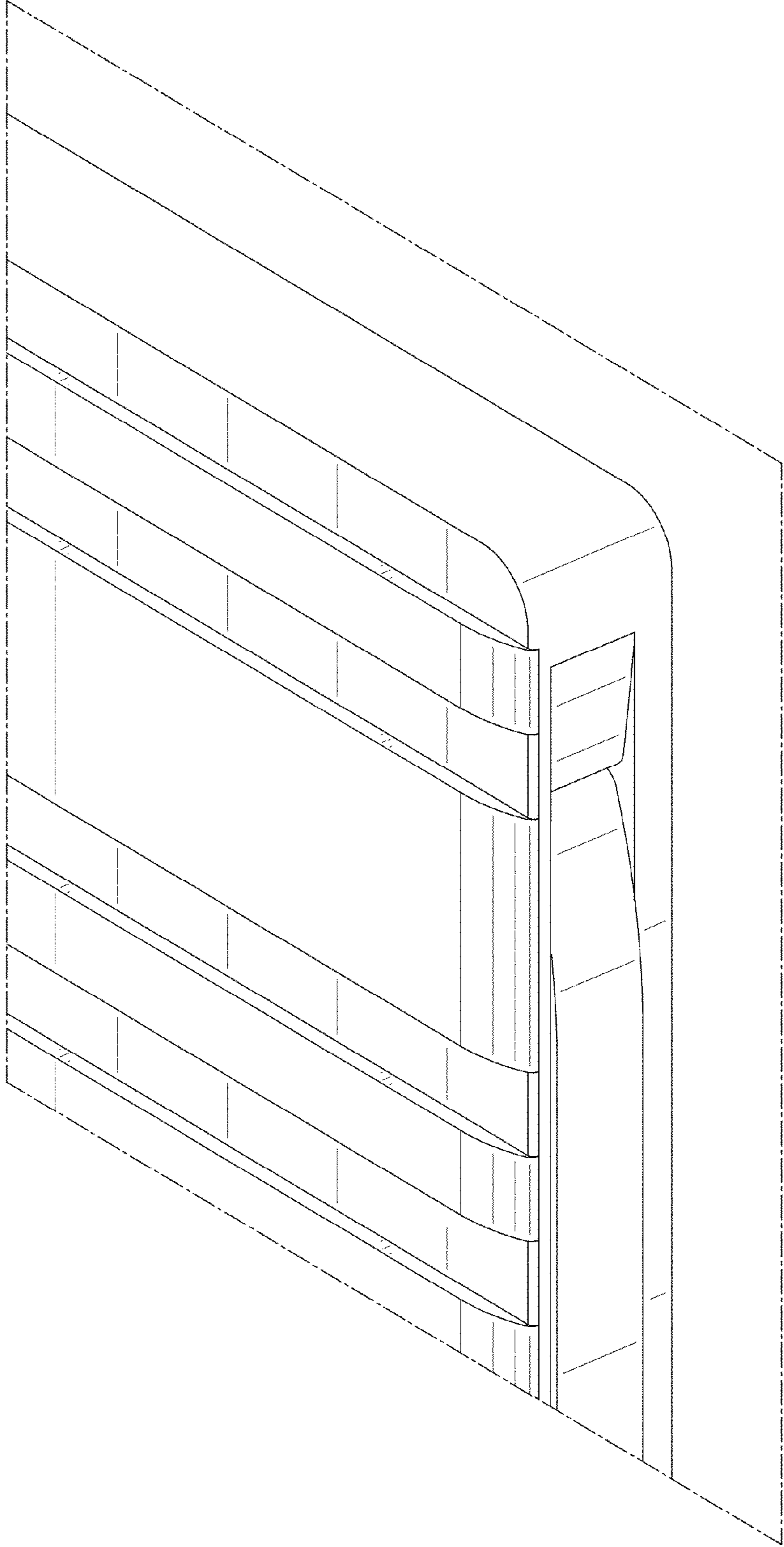


FIG. 12