



US00D710840S

(12) **United States Design Patent**  
**Yamamoto et al.**

(10) **Patent No.:** **US D710,840 S**

(45) **Date of Patent:** **\*\* Aug. 12, 2014**

(54) **KEYBOARD**

(75) Inventors: **Ryo Yamamoto**, Tokyo (JP); **Toru Karashima**, Kanagawa (JP); **Yohei Fukuma**, Tokyo (JP); **Yujin Morisawa**, Tokyo (JP)

(73) Assignee: **Sony Corporation**, Tokyo (JP)

(\*\*) Term: **14 Years**

(21) Appl. No.: **29/426,879**

(22) Filed: **Jul. 11, 2012**

**Related U.S. Application Data**

(62) Division of application No. 12/979,664, filed on Dec. 28, 2010, now Pat. No. 8,363,407, which is a division of application No. 12/240,229, filed on Sep. 29, 2008, now Pat. No. 8,081,438, which is a division of application No. 10/970,290, filed on Oct. 21, 2004, now Pat. No. 7,489,507.

(30) **Foreign Application Priority Data**

Oct. 23, 2003 (JP) ..... 2003-363925

(51) **LOC (10) Cl.** ..... **14-02**

(52) **U.S. Cl.**  
USPC ..... **D14/315**; D14/391

(58) **Field of Classification Search**  
USPC ..... D14/240, 138, 318, 341, 391-399, 443, D14/455, 456; D18/1, 2, 7, 11; 178/17 A, 178/17 C; 200/5 A, 5 R, 6 A, 6 R; 235/145 A, 235/145 R; 341/20-23; 345/156, 160, 168, 345/169, 173; 361/679.08, 679.09, 361/679.11-679.19; 400/484-489, 492, 400/472

See application file for complete search history.

(56) **References Cited**

U.S. PATENT DOCUMENTS

4,415,025 A	11/1983	Horvath	
4,864,523 A	9/1989	Sasaki	
5,027,394 A	6/1991	Ono et al.	
5,132,876 A	7/1992	Ma	
5,237,488 A	8/1993	Moser et al.	
5,243,549 A	9/1993	Oshiba	
5,345,364 A	9/1994	Biernath	
5,422,784 A	6/1995	Wakahara et al.	
5,436,954 A	7/1995	Nishiyama et al.	
5,455,746 A	10/1995	Sato et al.	
5,491,507 A	2/1996	Umezawa et al.	
5,504,648 A	4/1996	Honda et al.	
5,526,227 A	6/1996	Satou et al.	
5,544,007 A	8/1996	Inoue	
5,552,967 A	9/1996	Seto et al.	
5,568,987 A *	10/1996	Franz	..... 400/490

(Continued)

FOREIGN PATENT DOCUMENTS

JP	5-33224	4/1993
JP	2000-267759	9/2000
JP	2001-84060	3/2001
JP	2003-295973	10/2003

*Primary Examiner* — Freda S Nunn

(74) *Attorney, Agent, or Firm* — Oblon, Spivak, McClelland, Maier & Neustadt, L.L.P.

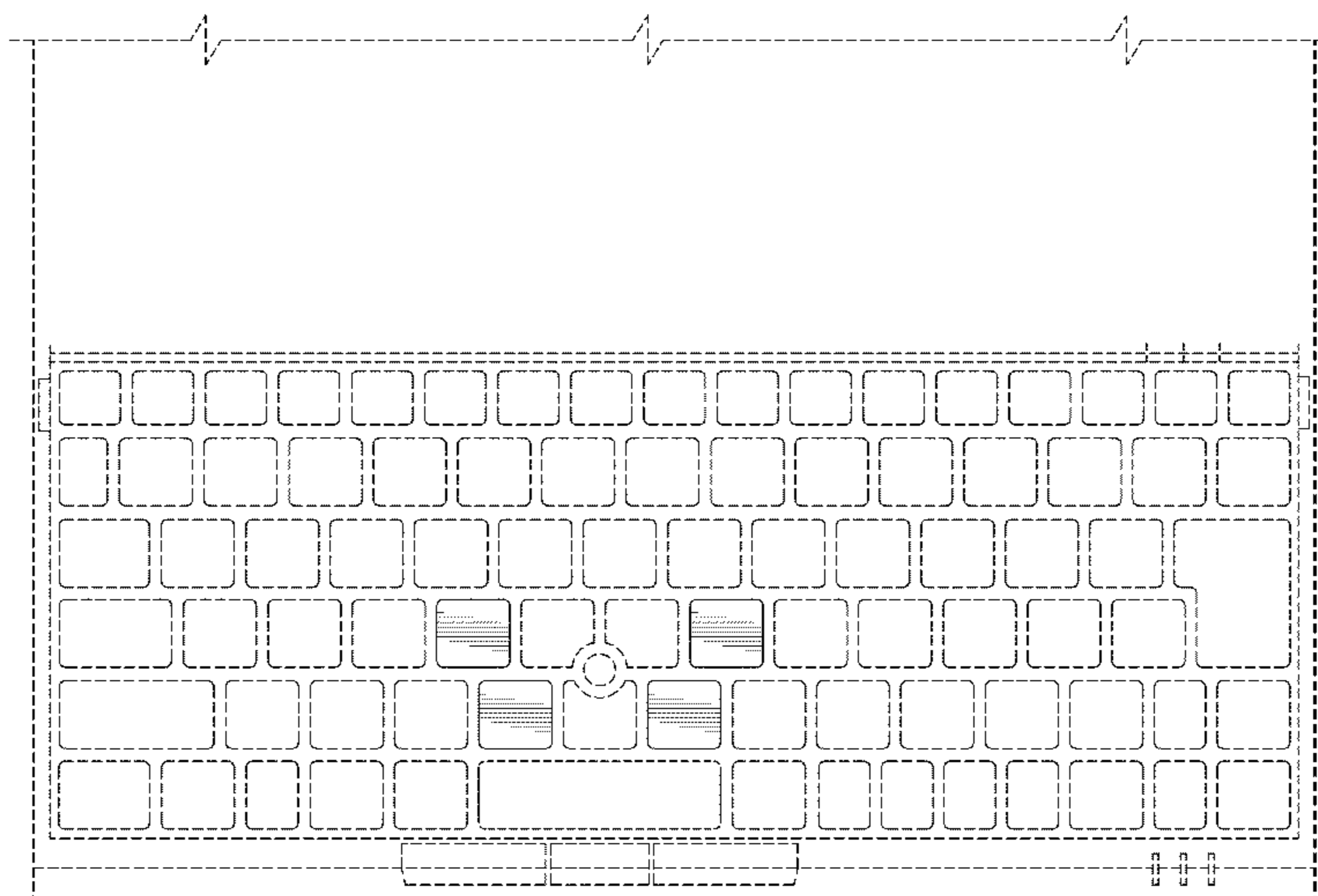
(57) **CLAIM**

The ornamental design for a keyboard, as shown and described.

**DESCRIPTION**

FIG. 1 is a top view of the keyboard for electronic device; FIG. 2 is a top, left, perspective view thereof; and, FIG. 3 is a top, right, perspective view thereof. The features shown in broken lines are directed to environment only and form no part of the claimed design.

**1 Claim, 3 Drawing Sheets**



(56)

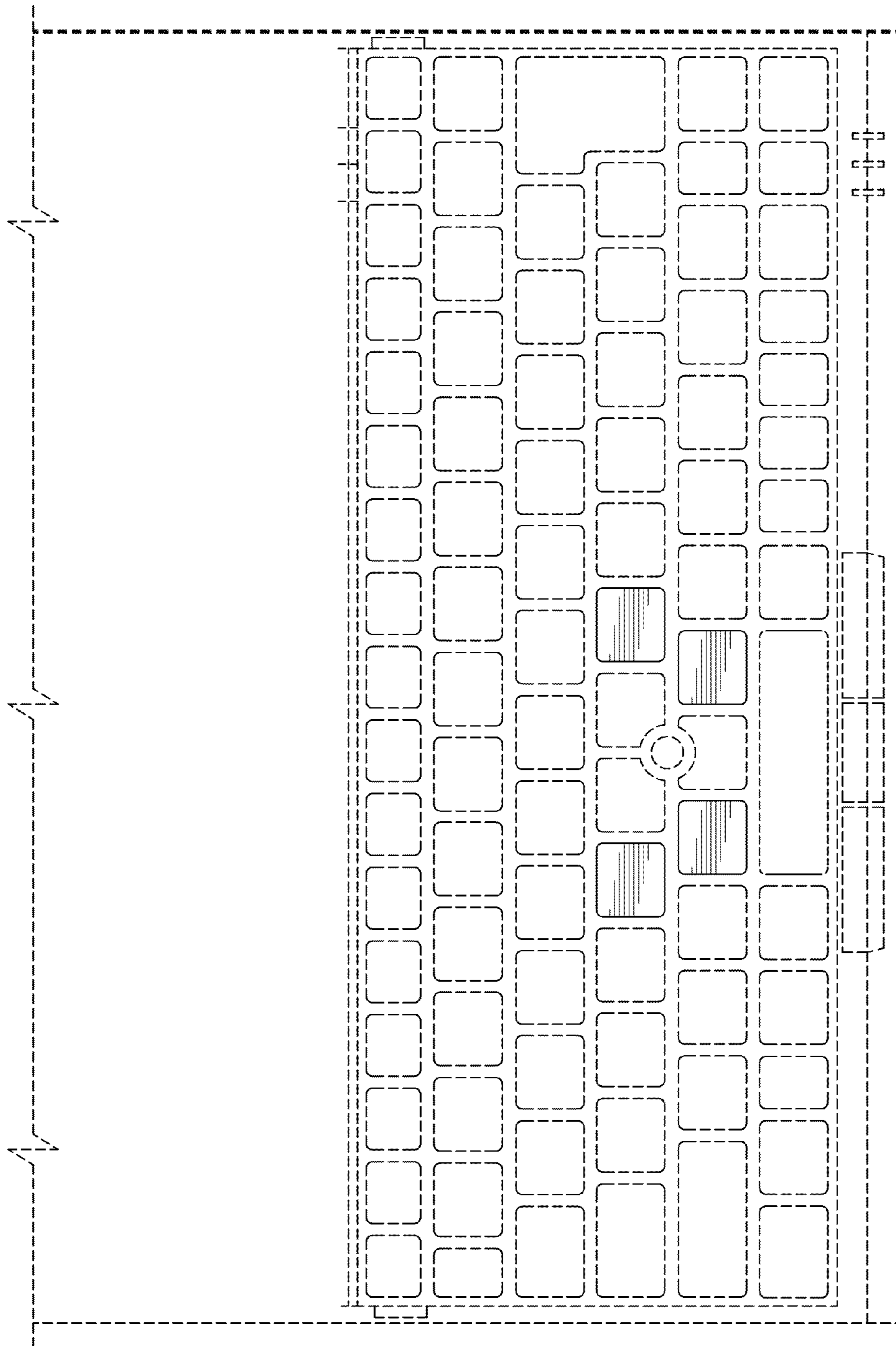
References Cited

U.S. PATENT DOCUMENTS

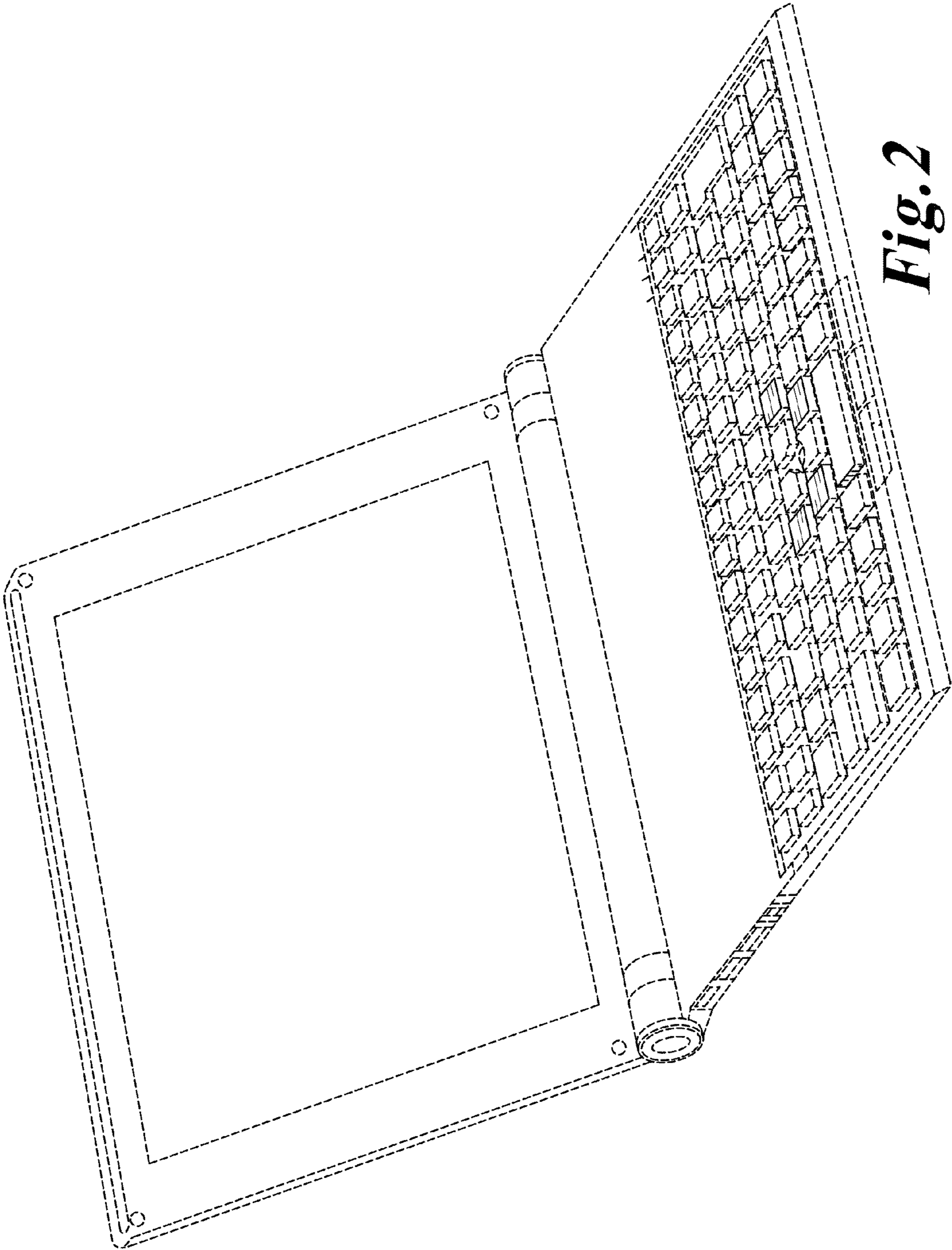
5,592,362 A	1/1997	Ohgami et al.	6,886,221 B2	5/2005	Minami et al.	
5,636,462 A	6/1997	Kleiman	6,917,824 B2	7/2005	Kobayashi	
5,691,880 A	11/1997	Seto et al.	6,933,981 B1	8/2005	Kishida et al.	
5,701,142 A *	12/1997	Brown et al. ....	6,947,278 B2	9/2005	Agata et al.	
5,719,799 A	2/1998	Isashi	6,952,860 B2	10/2005	Kawamoto	
5,742,912 A	4/1998	Nishiyama et al.	6,965,071 B2	11/2005	Watchko et al.	
5,751,544 A	5/1998	Song	7,015,898 B2 *	3/2006	Wang .....	345/168
5,754,401 A	5/1998	Saneinejad et al.	7,019,976 B1	3/2006	Ahmad et al.	
5,796,579 A	8/1998	Nakajima et al.	7,084,919 B2	8/2006	Shibata et al.	
5,805,125 A	9/1998	Suganuma et al.	7,085,995 B2	8/2006	Fukuda et al.	
5,870,082 A *	2/1999	Selker et al. ....	7,277,275 B2	10/2007	Won et al.	
5,870,621 A	2/1999	Walsh et al.	7,583,317 B2	9/2009	Kinemura et al.	
5,897,382 A	4/1999	Takahashi	D612,843 S *	3/2010	Andre et al. ....	D14/315
5,898,600 A	4/1999	Isashi	D612,844 S *	3/2010	Andre et al. ....	D14/315
5,914,853 A	6/1999	Motoe et al.	D616,886 S *	6/2010	Andre et al. ....	D14/392
5,982,884 A	11/1999	Hoffmann	D626,555 S *	11/2010	Huang .....	D14/392
6,044,473 A	3/2000	Kim	D640,695 S *	6/2011	Andre et al. ....	D14/392
6,069,648 A	5/2000	Suso et al.	D670,697 S *	11/2012	Brown .....	D14/391
6,078,496 A	6/2000	Oguchi et al.	2001/0005454 A1	6/2001	Nishino et al.	
6,091,600 A	7/2000	Jeong	2001/0010622 A1	8/2001	Kamimaki et al.	
6,101,088 A	8/2000	Nakajima et al.	2001/0019477 A1	9/2001	Murasawa	
6,122,166 A	9/2000	Mochizuki et al.	2001/0055195 A1 *	12/2001	Suzuki .....	361/680
6,125,029 A	9/2000	Sasaki et al.	2002/0006222 A1	1/2002	Inagaki et al.	
6,172,867 B1	1/2001	Satou et al.	2002/0036887 A1	3/2002	Horii et al.	
6,201,696 B1	3/2001	Shimizu et al.	2002/0041483 A1	4/2002	Horii et al.	
6,211,566 B1	4/2001	Bollesen	2002/0044434 A1	4/2002	Takagi	
6,219,257 B1	4/2001	Arnold	2002/0058435 A1	5/2002	Williams et al.	
D442,177 S *	5/2001	Chang et al. ....	2002/0071040 A1	6/2002	Agata et al.	
D443,876 S *	6/2001	Komuta et al. ....	2002/0085338 A1 *	7/2002	Lin .....	361/680
6,280,258 B1	8/2001	Frohlund	2002/0088605 A1	7/2002	Malhammar	
6,310,768 B1	10/2001	Kung et al.	2002/0172002 A1	11/2002	Sasaki et al.	
6,385,041 B1	5/2002	Choi	2002/0173281 A1	11/2002	Kobayashi	
6,396,683 B1	5/2002	Wang et al.	2002/0195228 A1	12/2002	Corti et al.	
6,396,924 B1	5/2002	Suso et al.	2003/0011972 A1	1/2003	Koo	
6,459,887 B2	10/2002	Okuda	2003/0053304 A1	3/2003	Takagi	
6,488,517 B1	12/2002	Williams et al.	2003/0103334 A1	6/2003	Yun	
6,498,733 B2	12/2002	Murasawa	2003/0129010 A1 *	7/2003	Tsai .....	400/472
6,512,670 B1	1/2003	Boehme et al.	2003/0210225 A1	11/2003	Miyashita et al.	
6,547,575 B2	4/2003	Kato et al.	2004/0002241 A1	1/2004	Lee	
D476,013 S *	6/2003	Tabasso et al. ....	2004/0042168 A1	3/2004	Yang et al.	
6,628,506 B2	9/2003	Landry et al.	2004/0061997 A1	4/2004	Skinner	
6,642,462 B2	11/2003	Ninomiya et al.	2004/0074045 A1	4/2004	Winstead et al.	
6,658,275 B1	12/2003	Hantunen et al.	2004/0130658 A1	7/2004	Yamaguchi et al.	
6,694,569 B2	2/2004	Chien et al.	2004/0171405 A1	9/2004	Amano et al.	
6,700,773 B1	3/2004	Adriaansen et al.	2004/0246667 A1	12/2004	Maskatia et al.	
6,708,400 B2	3/2004	Kintis et al.	2004/0246668 A1	12/2004	Maskatia et al.	
6,768,637 B1	7/2004	Amemiya	2005/0017350 A1	1/2005	Corti et al.	
6,788,527 B2	9/2004	Doczy et al.	2005/0041381 A1	2/2005	Maskatia et al.	
6,879,337 B2	4/2005	Tatehana et al.	2005/0146844 A1	7/2005	Hussaini et al.	
6,882,726 B2	4/2005	Kim	2006/0080805 A1	4/2006	Takagi	
			2011/0304552 A1 *	12/2011	Zhao et al. ....	345/168

\* cited by examiner

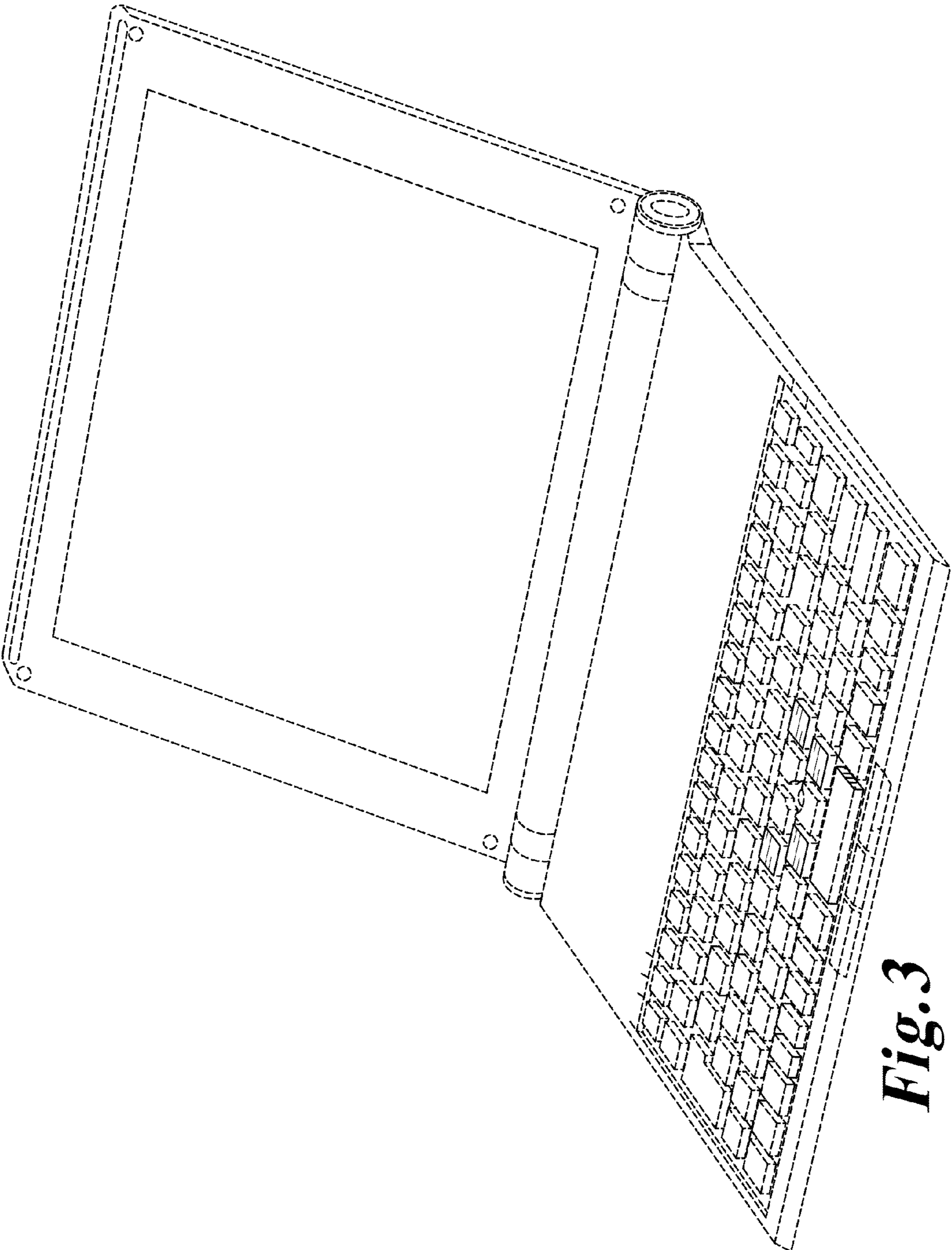




**Fig. 1**



**Fig. 2**



**Fig. 3**