



US00D710839S

(12) **United States Design Patent**  
**Chang**

(10) **Patent No.:** **US D710,839 S**

(45) **Date of Patent:** **\*\* Aug. 12, 2014**

(54) **PROTECTIVE COVER**

(71) Applicant: **David Chang**, Houston, TX (US)

(72) Inventor: **David Chang**, Houston, TX (US)

(\*\*) Term: **14 Years**

(21) Appl. No.: **29/453,333**

(22) Filed: **Apr. 26, 2013**

(51) **LOC (10) Cl.** ..... **14-03**

(52) **U.S. Cl.**  
USPC ..... **D14/250**

(58) **Field of Classification Search**

CPC ..... A45C 11/00; A45C 2011/002; A45C 13/002; A45C 2011/001; A45C 2011/003; A45C 11/24; A45C 11/003; A45C 2013/303; A45C 11/321; A45C 2001/067; A45C 2001/086; A45C 2013/025; A45C 15/00; A45C 2200/15; H04B 1/3888; G06F 1/1626; G06F 2200/1633; G06F 1/1628; B65D 81/02; B65D 81/022; A45F 2008/008; A45F 5/00; H04M 1/185; H04M 1/0252; H04M 1/04  
USPC ..... D14/250–253, 440, 203.3–203.7, 217, D14/496, 248, 238.1, 240, 447, 341–347, D14/444; D13/103, 107–108, 119; D3/201, D3/218, 247, 269, 273, 301, 303; 248/176.3, 188.8, 309.1, 371, 668; 361/220, 379.01, 679.01, 679.02, 361/679.09, 679.21, 679.25, 679.3, 679.4, 361/679.56, 679.57, 759, 807, 816; 379/433.11, 451, 455; 455/556.1, 557, 455/566, 575.1, 575.2, 575.8; 206/37, 45.2, 206/305, 320, 216; 320/108, 115; 429/96; 220/4.02; 150/165; 174/50; 235/41, 235/375, 462; 312/223.1; 396/535

See application file for complete search history.

(56) **References Cited**

U.S. PATENT DOCUMENTS

D593,746	S	*	6/2009	Richardson et al.	.....	D3/201
D616,879	S	*	6/2010	Kim et al.	.....	D14/250
D633,089	S	*	2/2011	Hsu	.....	D14/341
D635,136	S	*	3/2011	Jiang et al.	.....	D14/341
D635,971	S	*	4/2011	Sip et al.	.....	D14/341
D673,549	S	*	1/2013	Chang et al.	.....	D14/250
D676,035	S	*	2/2013	Chang et al.	.....	D14/250
D676,434	S	*	2/2013	Chang et al.	.....	D14/250
D683,338	S	*	5/2013	Wilson et al.	.....	D14/250
2005/0023157	A1	*	2/2005	Logan	.....	206/37

(Continued)

OTHER PUBLICATIONS

Seidio Obex iPhone 5 Waterproof Case Review, posted on Mar. 8, 2013, <URL:http://www.gadgetmac.com/reviews/seidio-obex-iphone-5-waterproof-case-review.html>, retrieved from internet on Mar. 19, 2014.\*

(Continued)

*Primary Examiner* — Carla Jobe Wright

(74) *Attorney, Agent, or Firm* — John K. Buche; Buche & Associates, P.C.

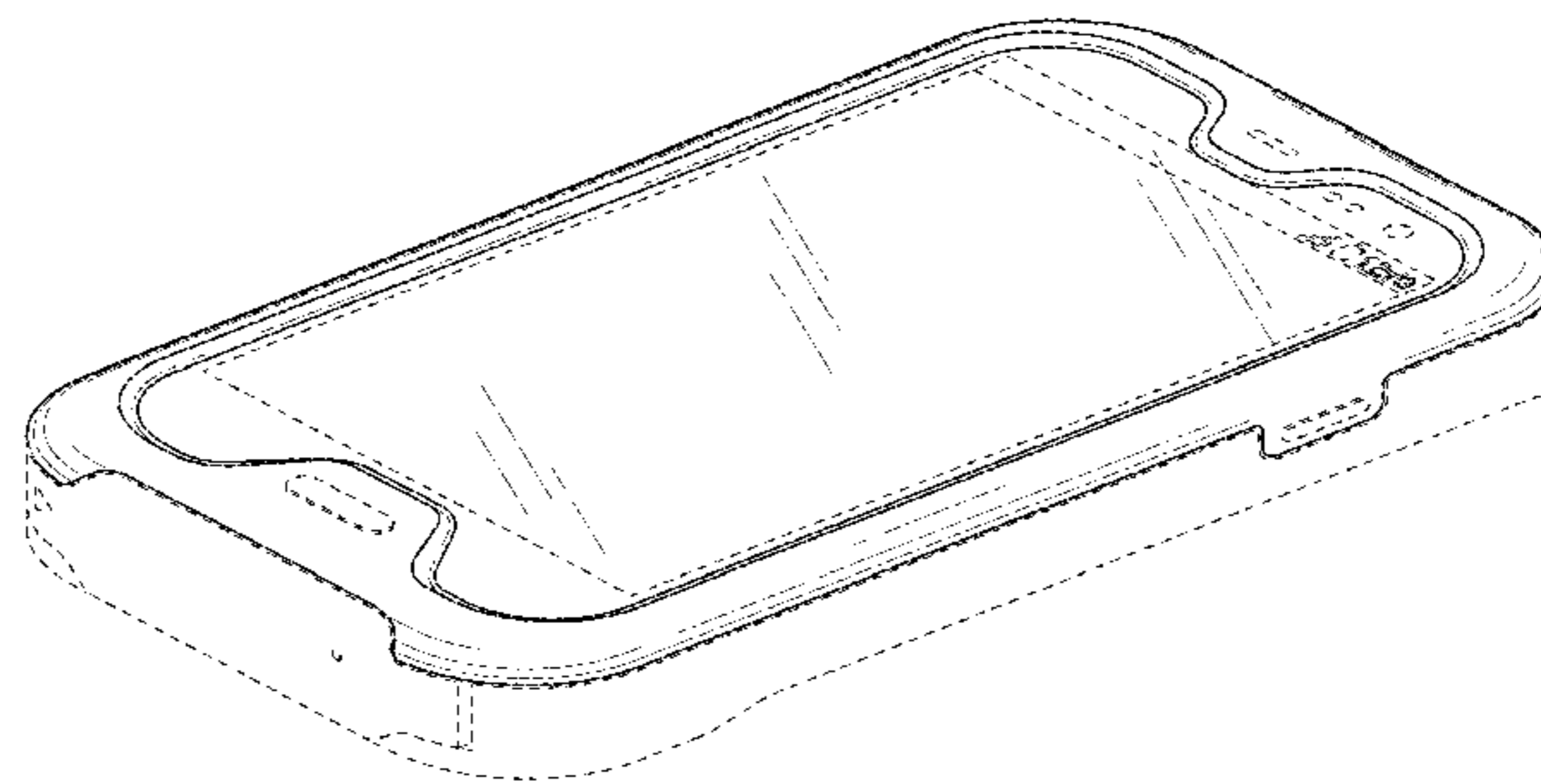
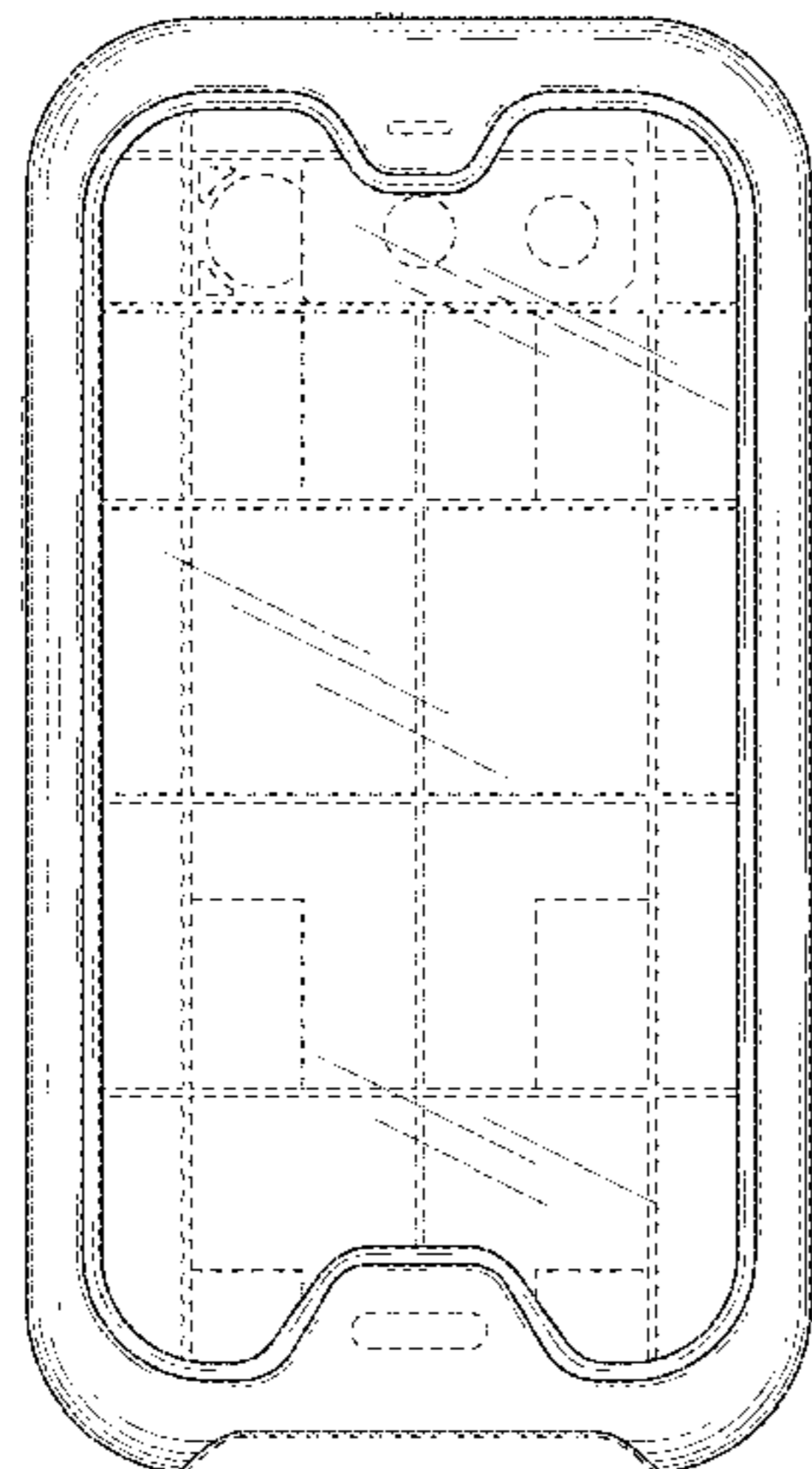
(57) **CLAIM**

The ornamental design for a protective cover, as shown and described.

**DESCRIPTION**

FIG. 1 is a perspective view of a protective cover showing my new design;  
FIG. 2 is a front view thereof;  
FIG. 3 is a back view thereof;  
FIG. 4 is a left side view thereof;  
FIG. 5 is a right side view thereof;  
FIG. 6 is a top view thereof;  
FIG. 7 is a bottom view thereof; and,  
FIG. 8 is a perspective view of the protective cover shown housing a smart phone.  
The features of the various figures shown in broken lines depict environmental subject matter only, which forms no part of the claimed design.

**1 Claim, 4 Drawing Sheets**



(56)

**References Cited**

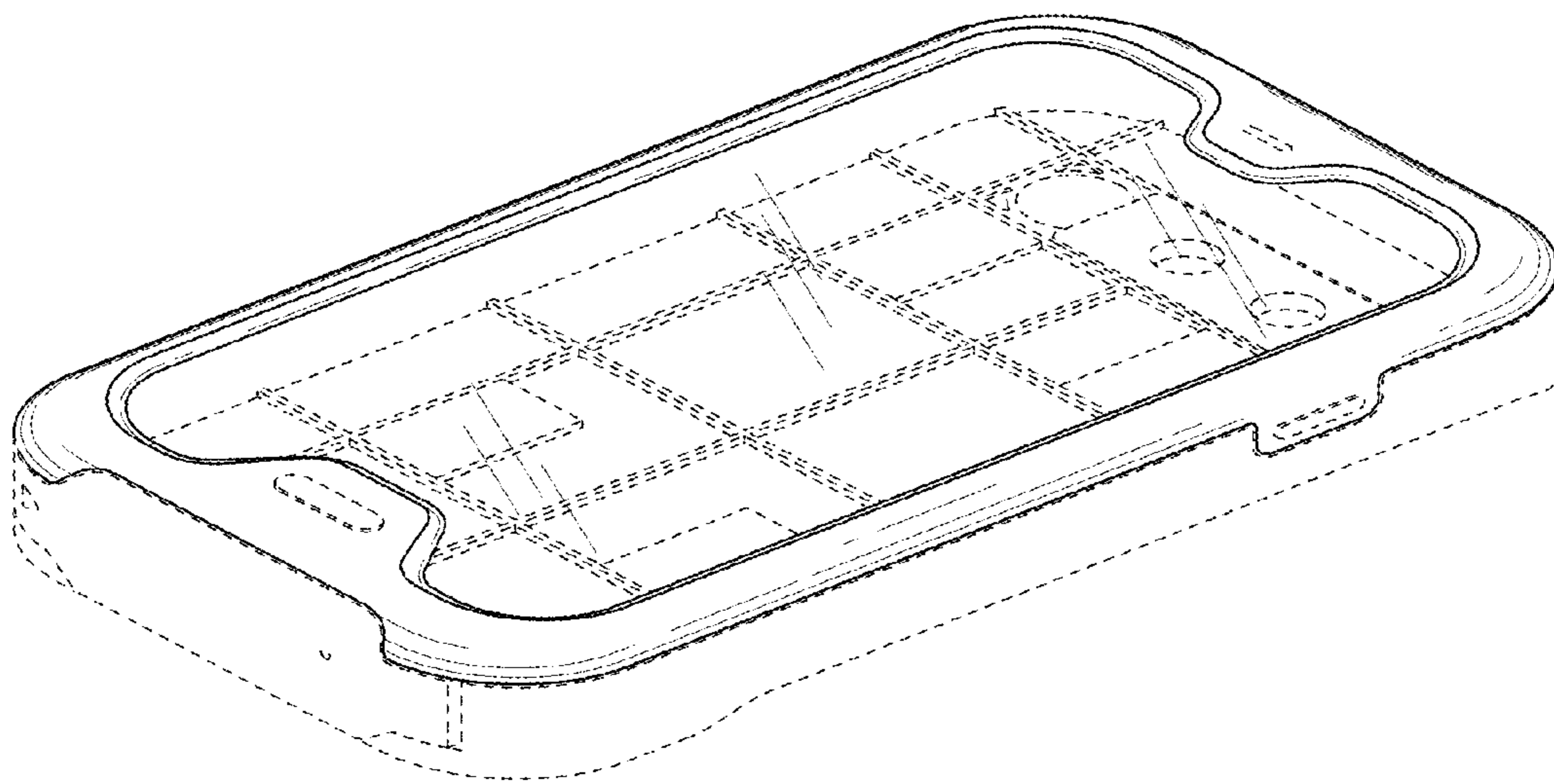
U.S. PATENT DOCUMENTS

2012/0275025 A1\* 11/2012 Parrill ..... 359/511  
2012/0320503 A1\* 12/2012 Yturralde et al. .... 361/679.01  
2013/0271922 A1\* 10/2013 Wilson et al. .... 361/724  
2013/0292378 A1\* 11/2013 Tages ..... 220/4.02  
2014/0054182 A1\* 2/2014 Shannon ..... 206/37  
2014/0073377 A1\* 3/2014 Chang ..... 455/575.8

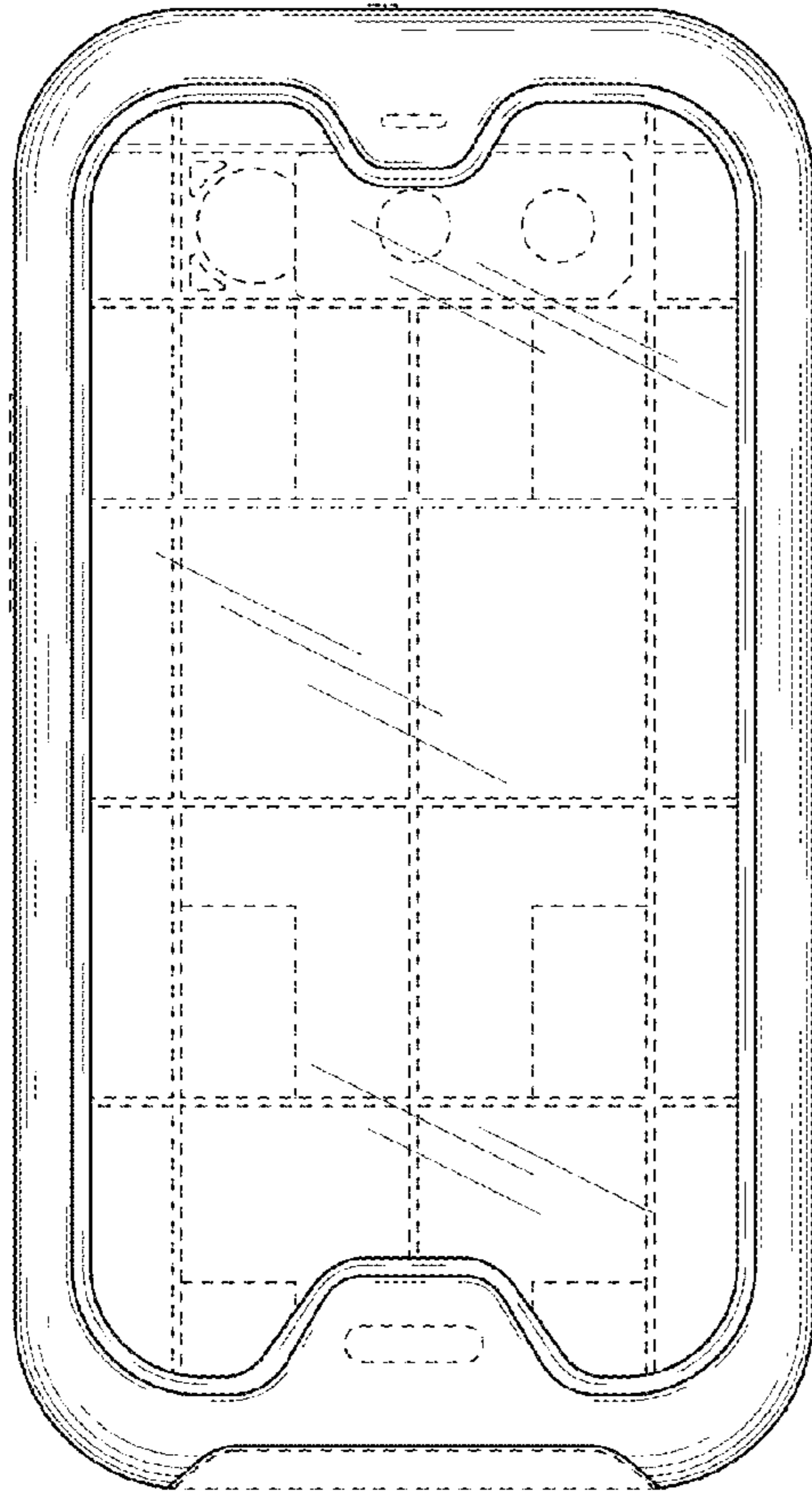
OTHER PUBLICATIONS

Accessory Review: Seidio Obex case for Samsung Galaxy S III,  
posted Nov. 8, 2012, <URL:[http://www.pocketables.com/2012/11/  
accessory-review-seidio-obex-case-for-the-galaxy-s-iii.html](http://www.pocketables.com/2012/11/accessory-review-seidio-obex-case-for-the-galaxy-s-iii.html)>,  
retrieved from internet on Mar. 19, 2014.\*

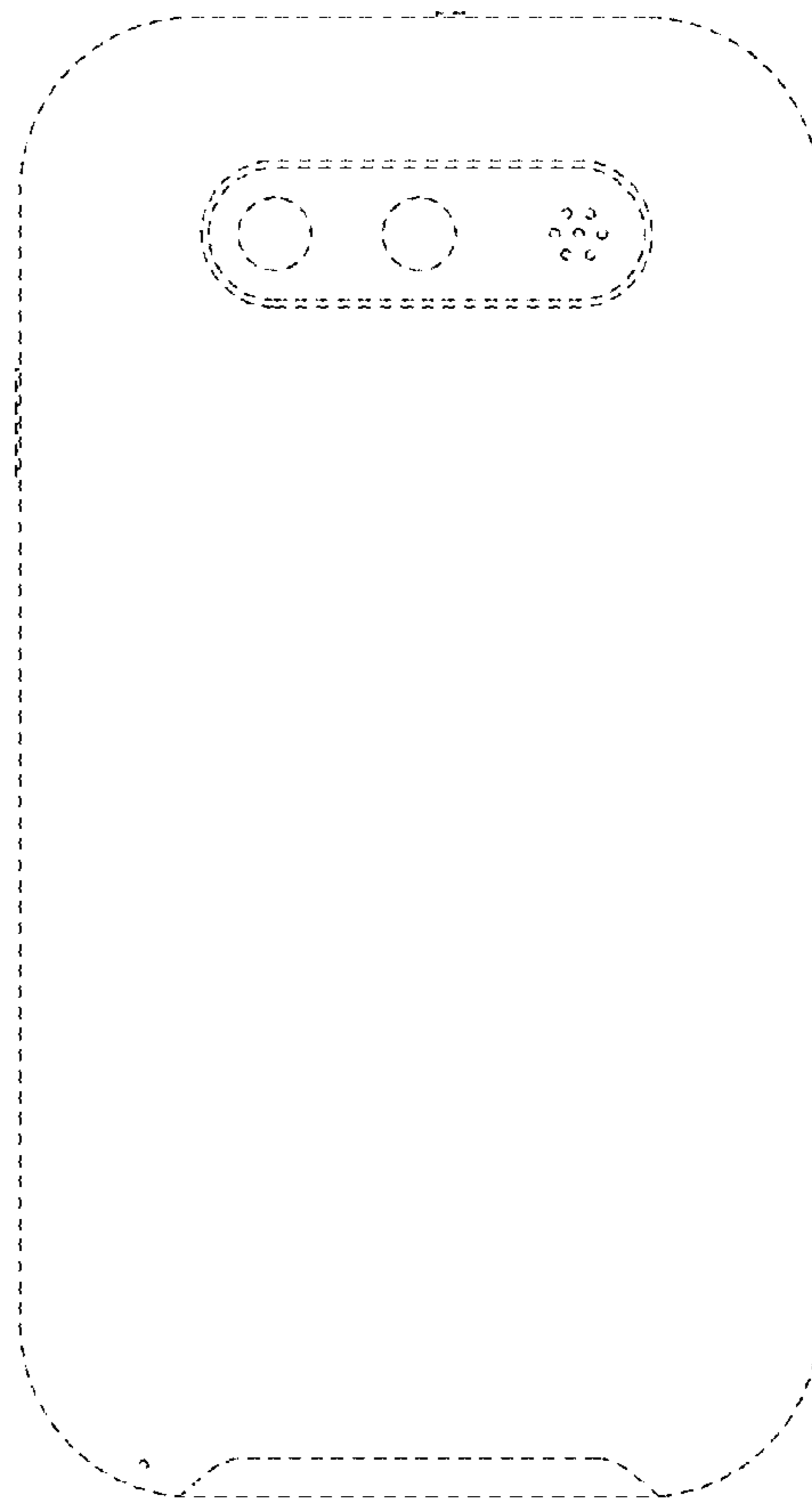
\* cited by examiner



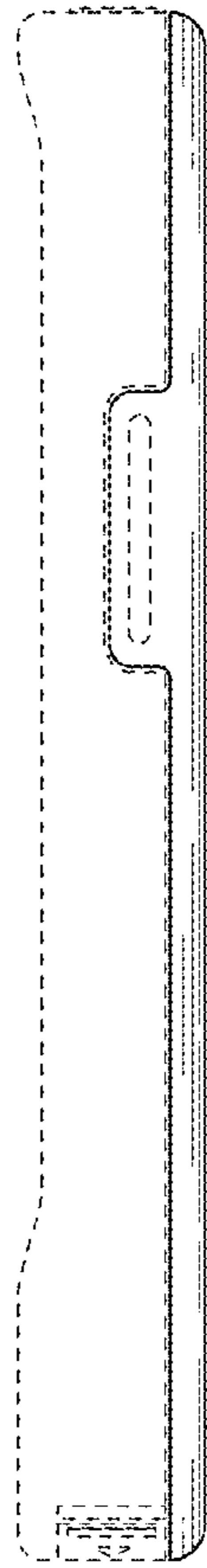
**FIG. 1**



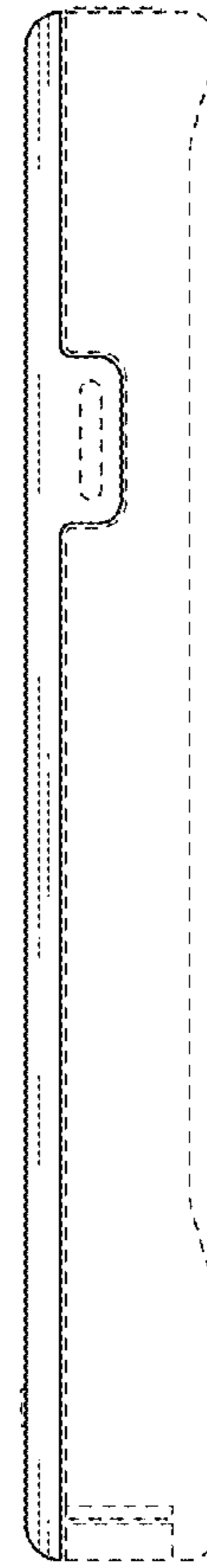
**FIG. 2**



**FIG. 3**



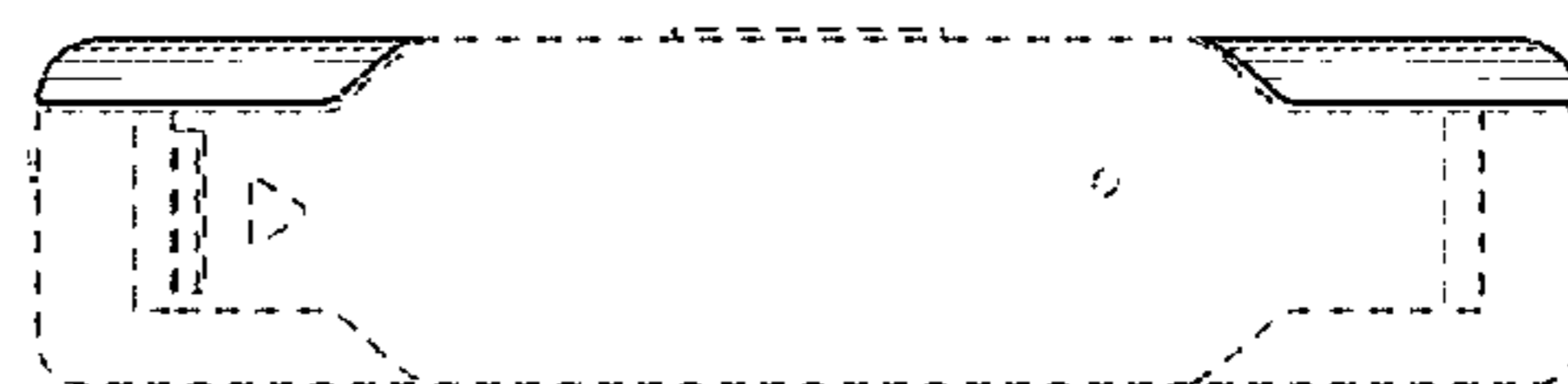
**FIG. 4**



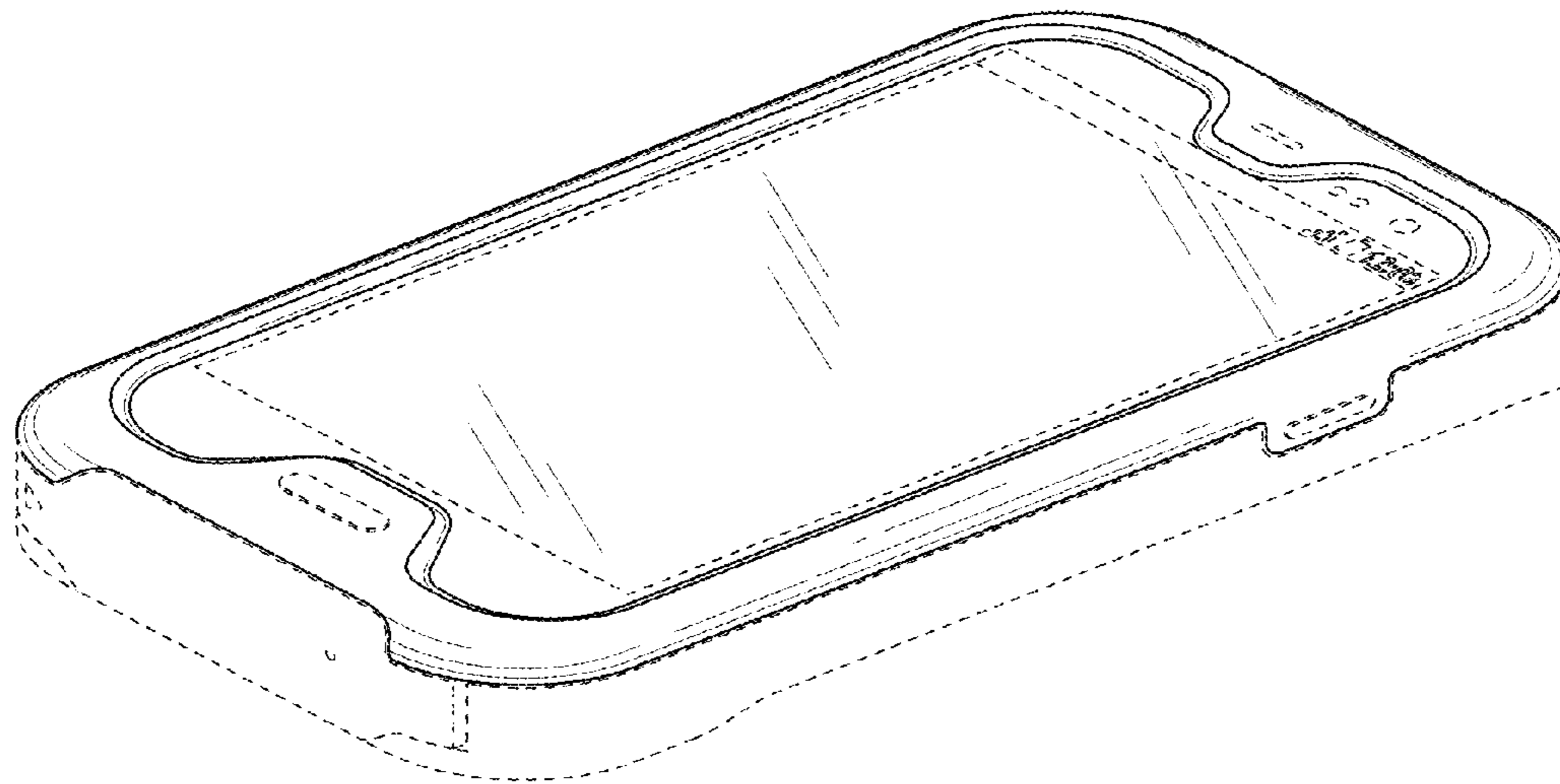
**FIG. 5**



**FIG. 6**



**FIG. 7**



**FIG. 8**