



US00D710838S

(12) **United States Design Patent**
Song

(10) **Patent No.:** **US D710,838 S**

(45) **Date of Patent:** **** Aug. 12, 2014**

(54) **FLIP COVER FOR MOBILE TERMINAL**

(71) Applicant: **Han-Gil Song**, Seoul (KR)

(72) Inventor: **Han-Gil Song**, Seoul (KR)

(73) Assignee: **Samsung Electronics Co., Ltd.**,
Suwon-si (KR)

(**) Term: **14 Years**

(21) Appl. No.: **29/434,798**

(22) Filed: **Oct. 17, 2012**

(30) **Foreign Application Priority Data**

Jun. 18, 2012 (KR) 30-2012-0029612

(51) **LOC (10) Cl.** **14-03**

(52) **U.S. Cl.**
USPC **D14/250**

(58) **Field of Classification Search**
CPC ... G06F 1/1626; G06F 1/1632; G06F 1/1656;
G06F 2200/1632; G06F 2200/1633; A45C
11/00
USPC D14/203.3, 217, 234, 238.1, 240, 248,
D14/250, 251, 252, 341, 342, 344, 440, 444,
D14/447, 496; D3/201, 218, 247, 248, 269,
D3/273, 301, 303; 206/305, 320;
248/309.1, 371, 176.3, 668; 455/575.1,
455/575.8; D19/26; D12/417

See application file for complete search history.

(56) **References Cited**

U.S. PATENT DOCUMENTS

D453,728 S * 2/2002 Hassett D12/417
6,501,643 B1 * 12/2002 Sayers et al. 361/679.56
D487,050 S * 2/2004 Hassett D12/417
D582,405 S * 12/2008 Andre et al. D3/299

D600,699 S * 9/2009 Johnston et al. D14/440
D637,814 S * 5/2011 Akana et al. D3/303
D641,348 S * 7/2011 Kim et al. D14/250
D658,880 S * 5/2012 Akana et al. D3/303
D685,800 S * 7/2013 Canizares et al. D14/440
D685,801 S * 7/2013 Canizares et al. D14/440
D685,802 S * 7/2013 Canizares et al. D14/440
D687,002 S * 7/2013 Song et al. D14/138 G
D694,741 S * 12/2013 Kim D14/250
D694,744 S * 12/2013 Kim D14/250
D695,252 S * 12/2013 Song et al. D14/138 G
D695,745 S * 12/2013 Kim D14/440
D696,236 S * 12/2013 Murchison et al. D14/250
D700,599 S * 3/2014 Kim D14/250

* cited by examiner

Primary Examiner — Thomas Johannes

Assistant Examiner — Chelsea Sealey

(74) *Attorney, Agent, or Firm* — NSIP Law

(57) **CLAIM**

The ornamental design for a flip cover for mobile terminal, as shown and described.

DESCRIPTION

FIG. 1 is a front perspective view of a flip cover for mobile terminal showing my new design;
FIG. 2 is a front view thereof;
FIG. 3 is a rear view thereof;
FIG. 4 is a left side view thereof;
FIG. 5 is a right side view thereof;
FIG. 6 is a top plan view thereof;
FIG. 7 is a bottom plan view thereof;
FIG. 8 is a rear perspective view thereof;
FIG. 9 is an open rear perspective view, showing the inside of the flip cover thereof; and,
FIG. 10 is an open front perspective view, showing the outside of the flip cover thereof.

1 Claim, 8 Drawing Sheets

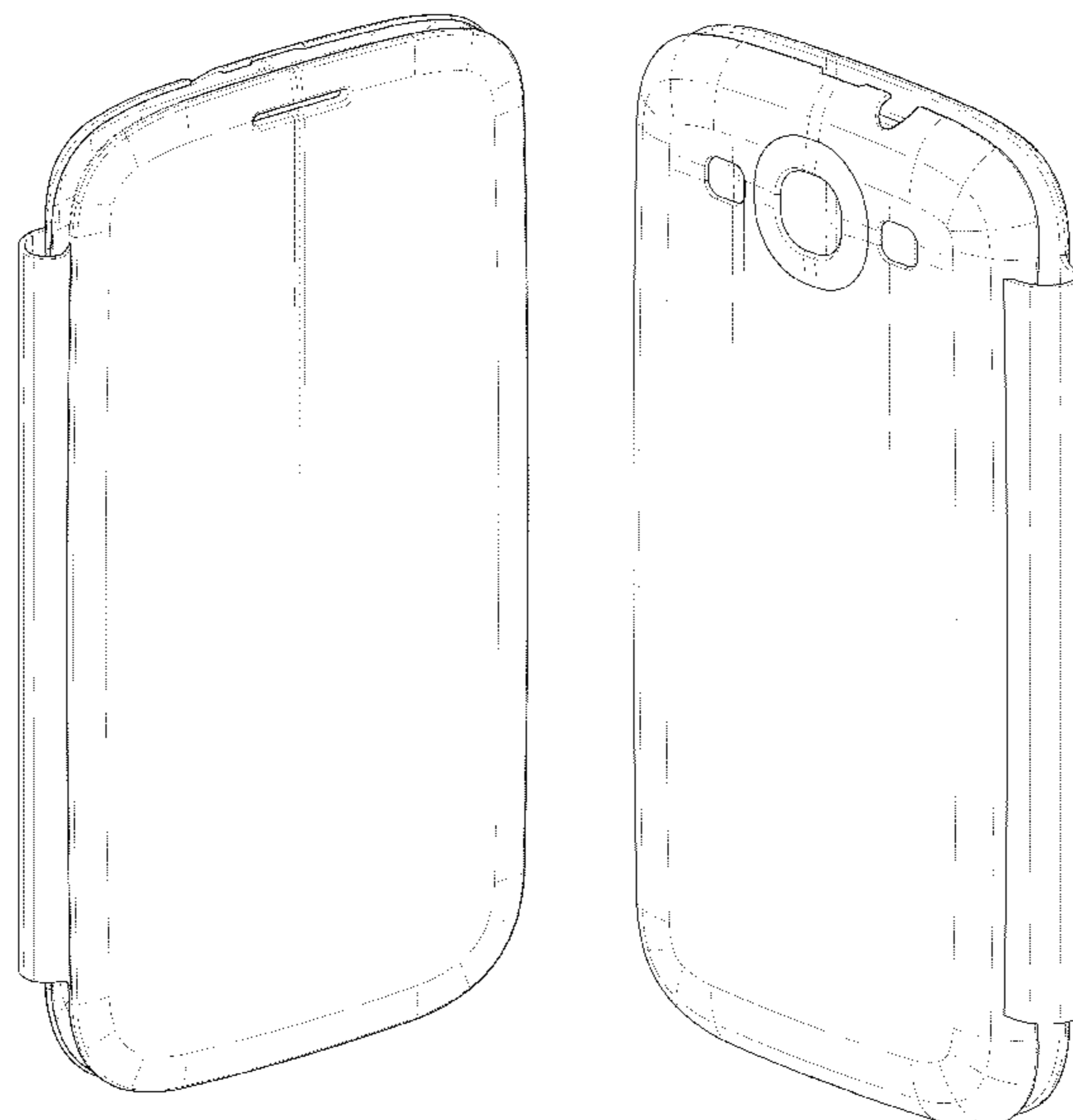


FIG. 1

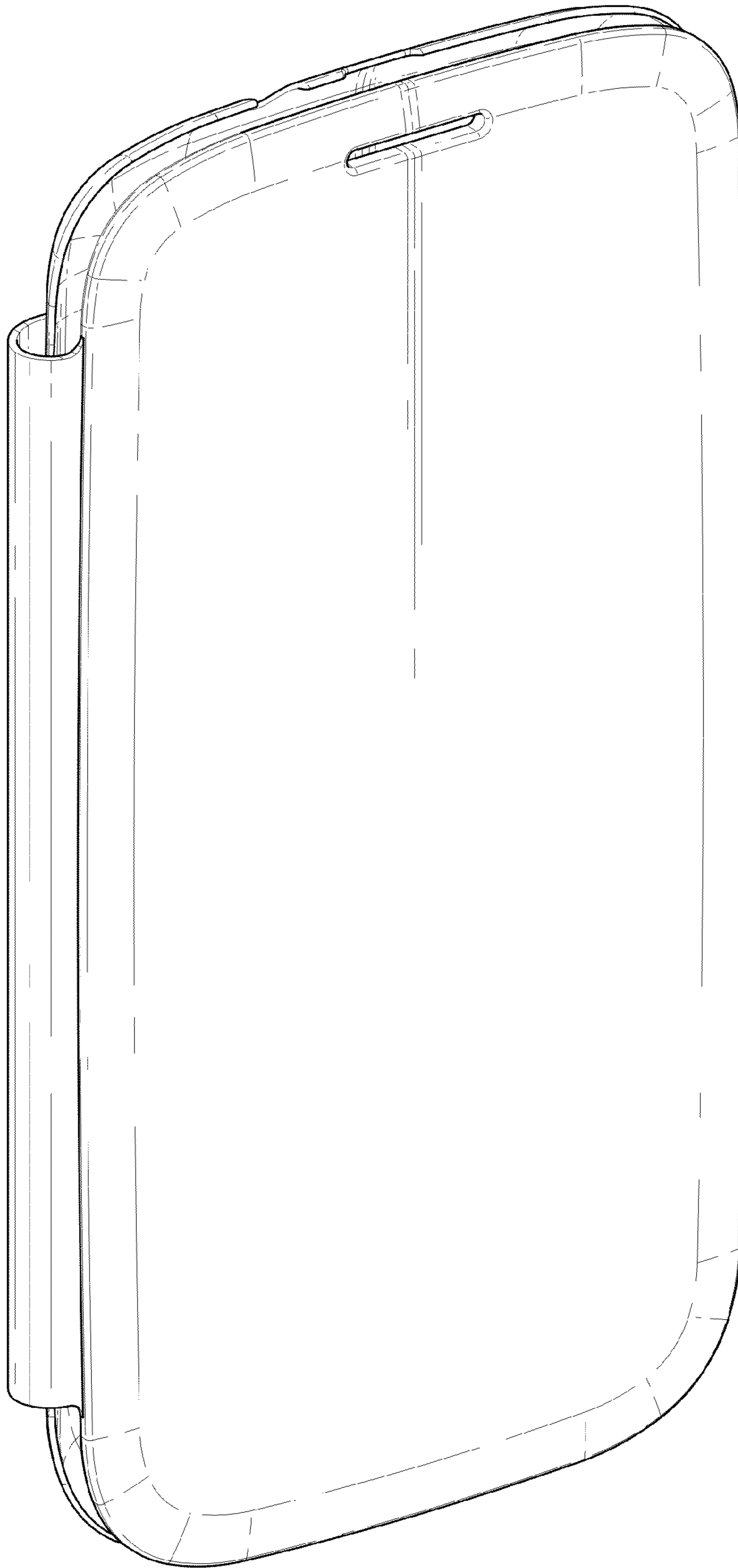


FIG. 2

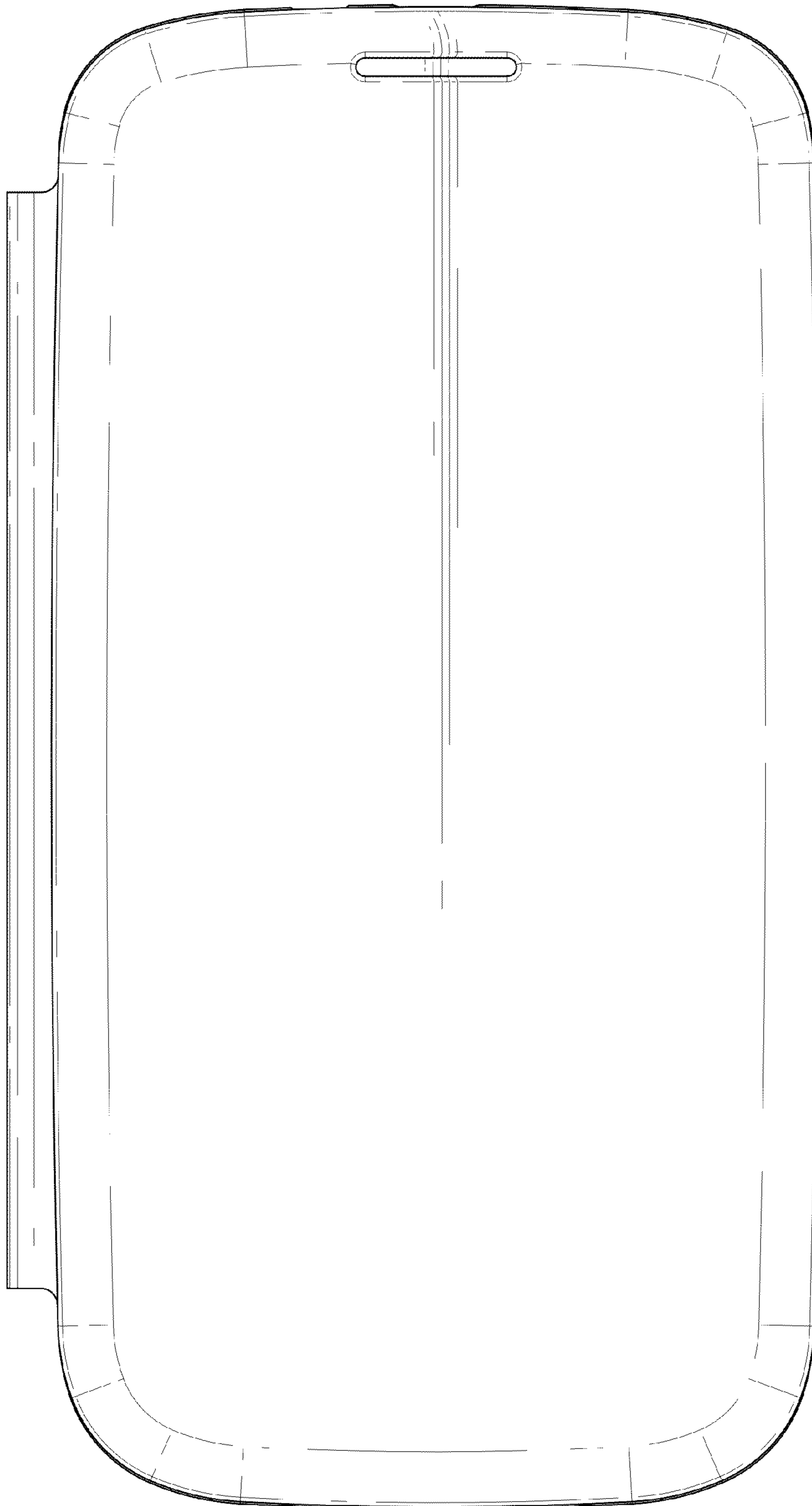


FIG. 3

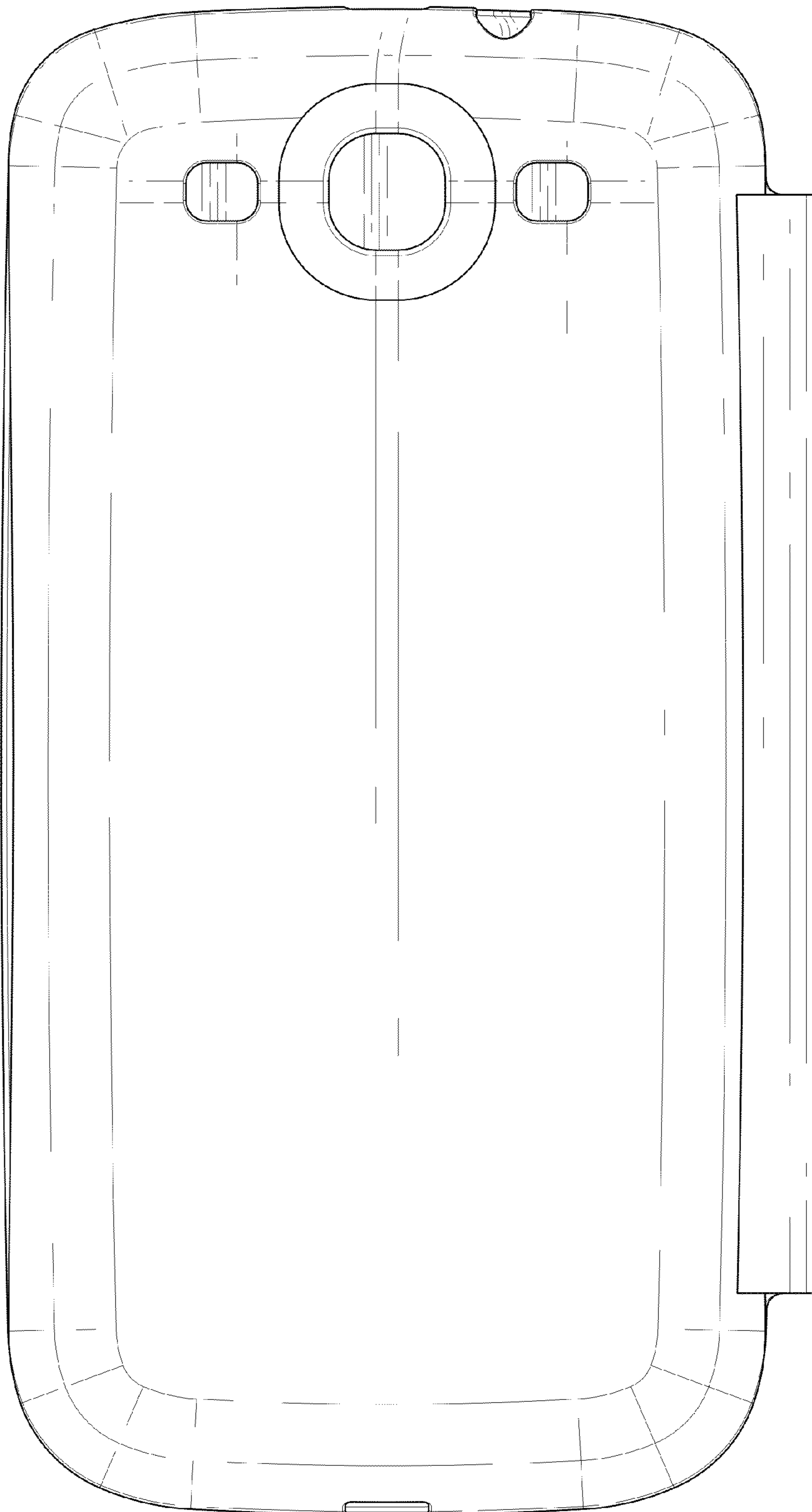


FIG. 4

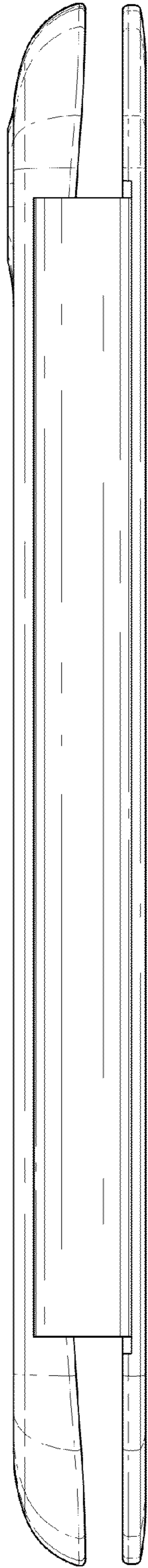


FIG. 5

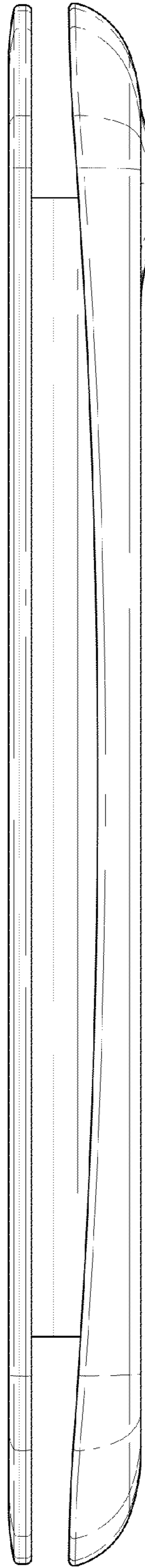


FIG. 6

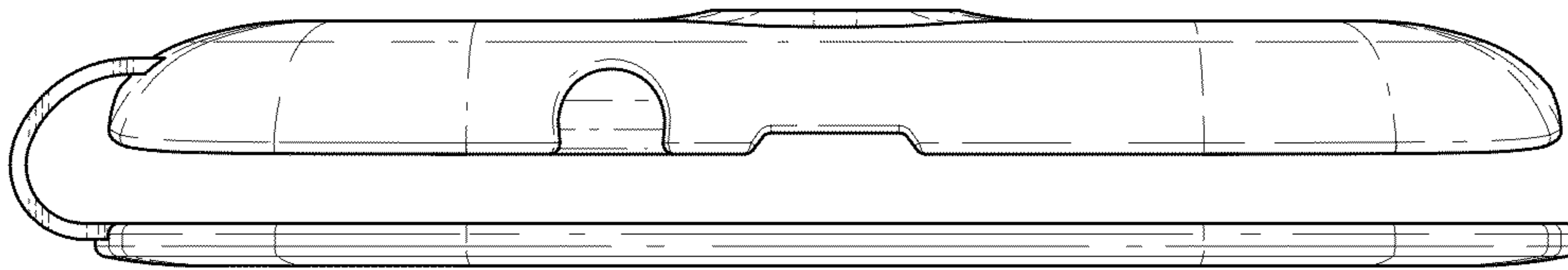


FIG. 7

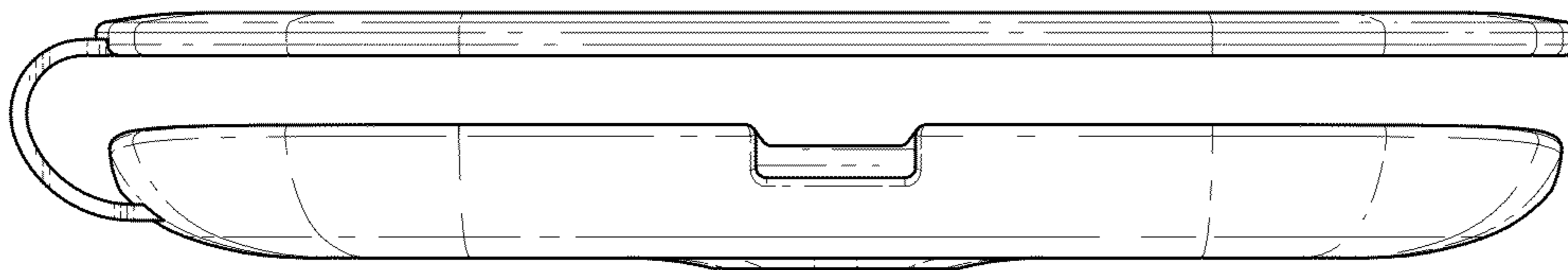


FIG. 8

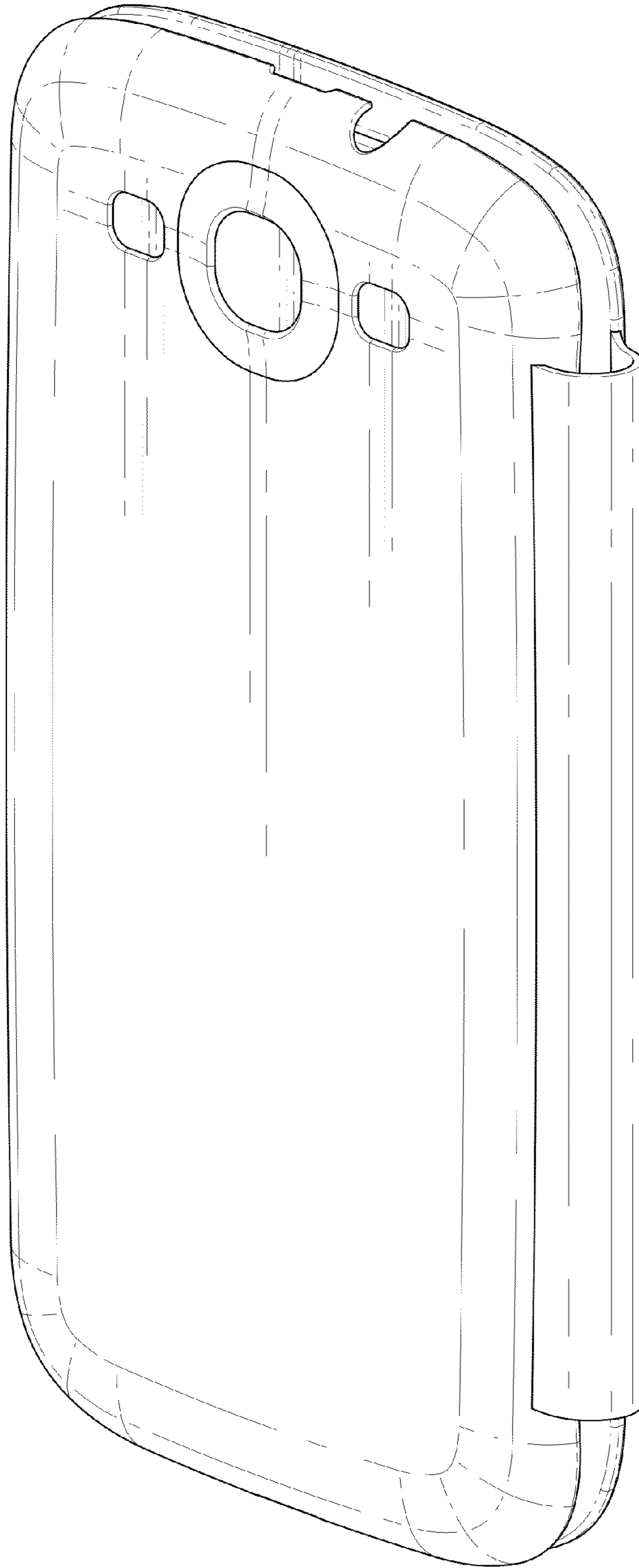


FIG. 9

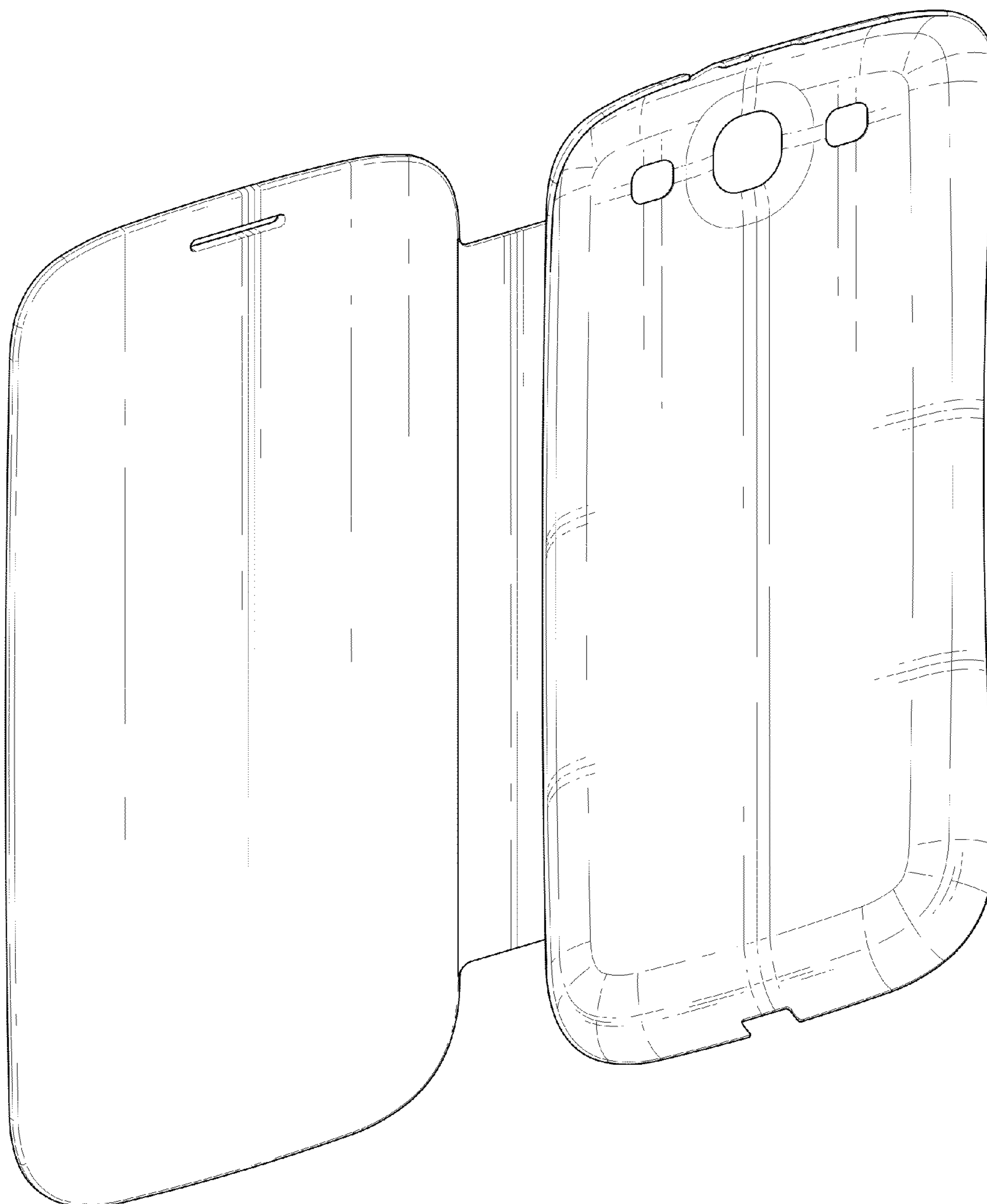


FIG. 10

