



US00D710835S

(12) **United States Design Patent**
Forster et al.

(10) **Patent No.:** **US D710,835 S**
(45) **Date of Patent:** **** Aug. 12, 2014**

(54) **ANTENNA**

(56) **References Cited**

(71) Applicant: **Avery Dennison Retail Information Services, LLC**, Mentor, OH (US)

(72) Inventors: **Ian James Forster**, Essex (GB);
Norman A. Howard, Essex (GB)

(73) Assignee: **Avery Dennison Corporation**,
Glendale, CA (US)

(**) Term: **14 Years**

(21) Appl. No.: **29/479,630**

(22) Filed: **Jan. 17, 2014**

(51) **LOC (10) Cl.** **14-03**

(52) **U.S. Cl.**
USPC **D14/230**

(58) **Field of Classification Search**
USPC D14/138, 230–238, 299, 358; D12/42,
D12/43; 343/700 MS, 700 R–705, 711–713,
343/735, 736, 741, 748, 767, 795, 819, 840,
343/846, 866, 871–908; 455/90.2, 90.3, 91,
455/128, 269, 344, 347, 562.1; 333/193,
333/195

See application file for complete search history.

U.S. PATENT DOCUMENTS

D546,821	S	*	7/2007	Oliver	D14/230
D573,589	S	*	7/2008	Montgomery et al.	D14/230
D581,400	S	*	11/2008	Montgomery	D14/230
D602,480	S	*	10/2009	Ikemoto	D14/230
D611,037	S	*	3/2010	Oliver	D14/230
D611,038	S	*	3/2010	Deguchi et al.	D14/230
D611,039	S	*	3/2010	Deguchi et al.	D14/230
8,177,138	B2	*	5/2012	Kato et al.	235/492
8,448,874	B2	*	5/2013	Koskelainen	235/492
8,544,759	B2	*	10/2013	Kato	235/492
D694,737	S	*	12/2013	Bufe	D14/230
D695,278	S	*	12/2013	Koskelainen	D14/230
2005/0024287	A1	*	2/2005	Jo et al.	343/822
2007/0200708	A1	*	8/2007	Hayama et al.	340/572.7
2008/0088522	A1	*	4/2008	Huang et al.	343/846
2008/0204329	A1	*	8/2008	Taki et al.	343/700 MS

* cited by examiner

Primary Examiner — John Windmuller

(74) *Attorney, Agent, or Firm* — Avery Dennison Corporation

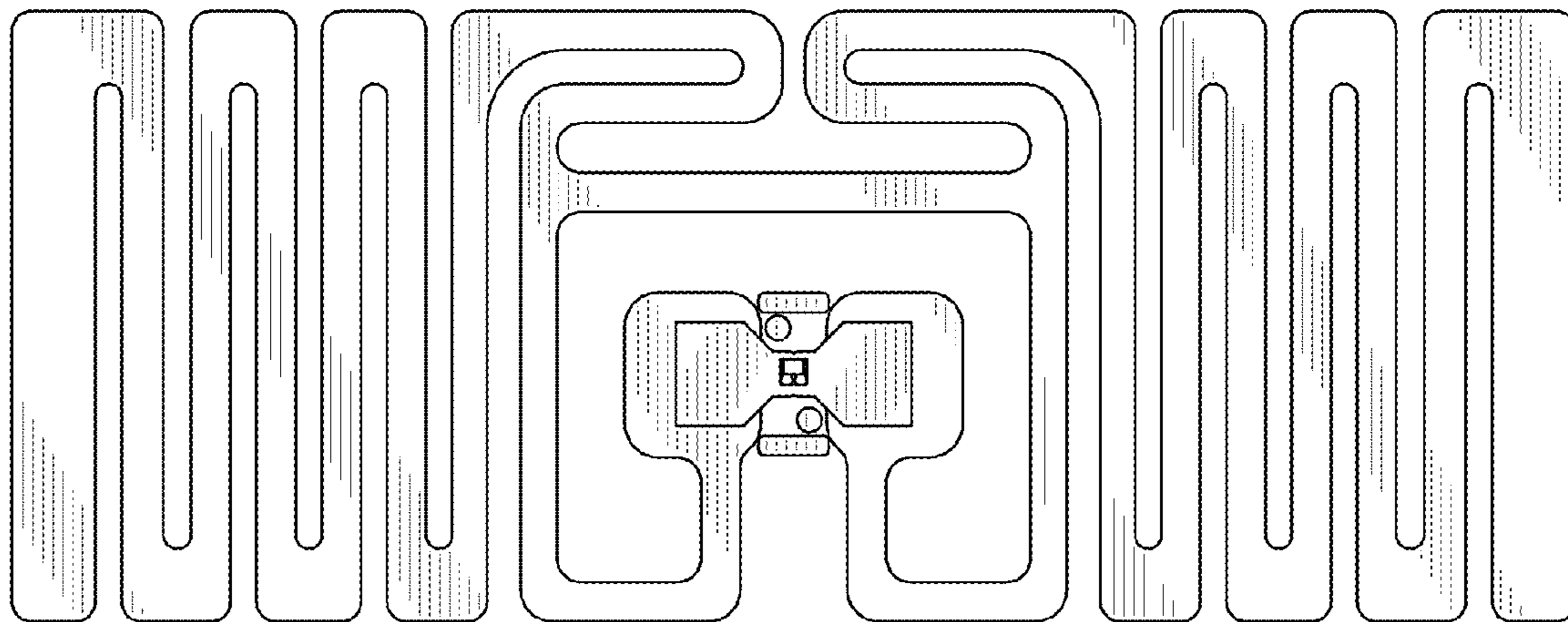
(57) **CLAIM**

The ornamental design for an antenna, as shown and described.

DESCRIPTION

FIG. 1 is a perspective view of our new antenna; and, FIG. 2 is a top view thereof.

1 Claim, 1 Drawing Sheet



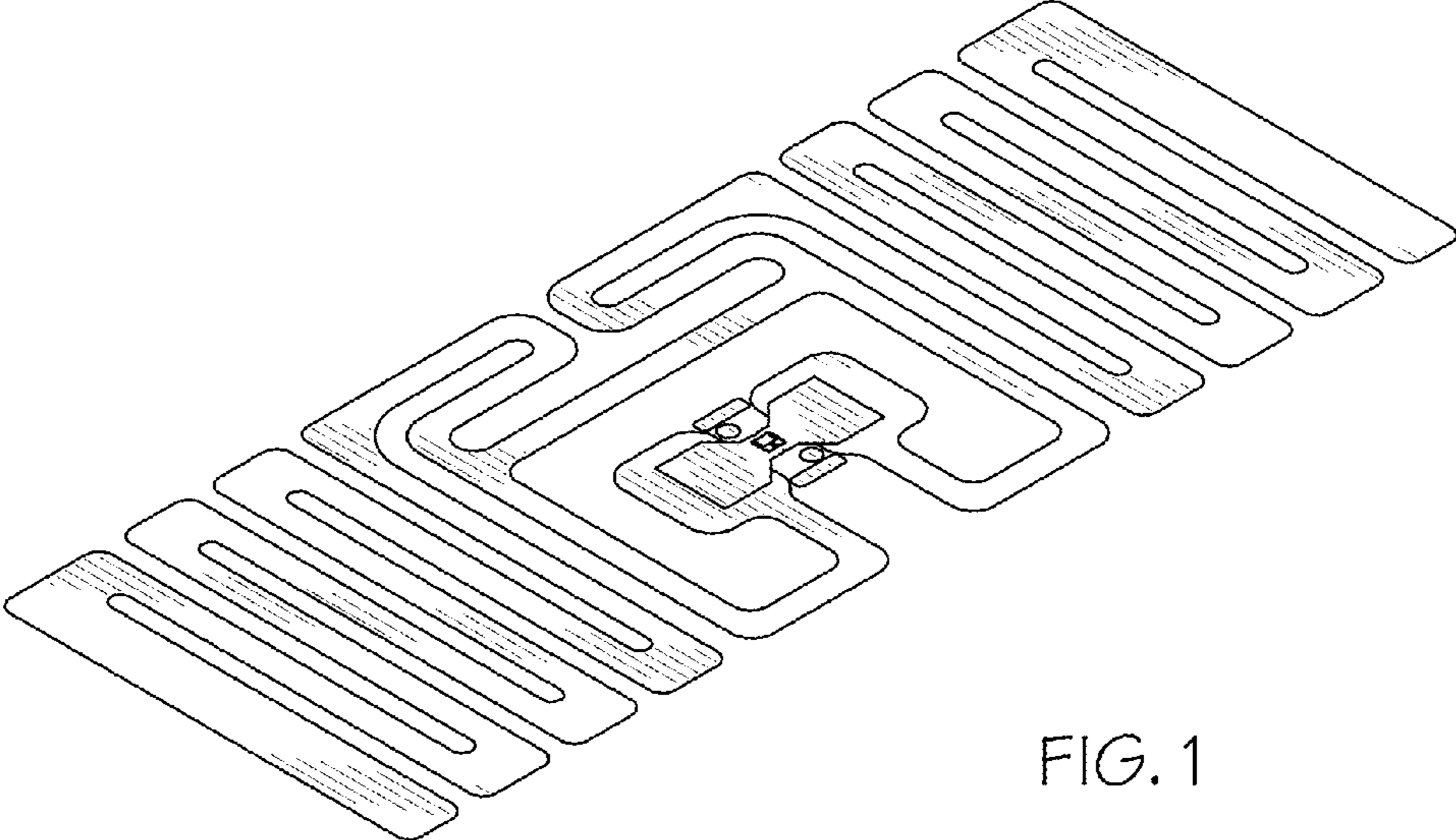


FIG. 1

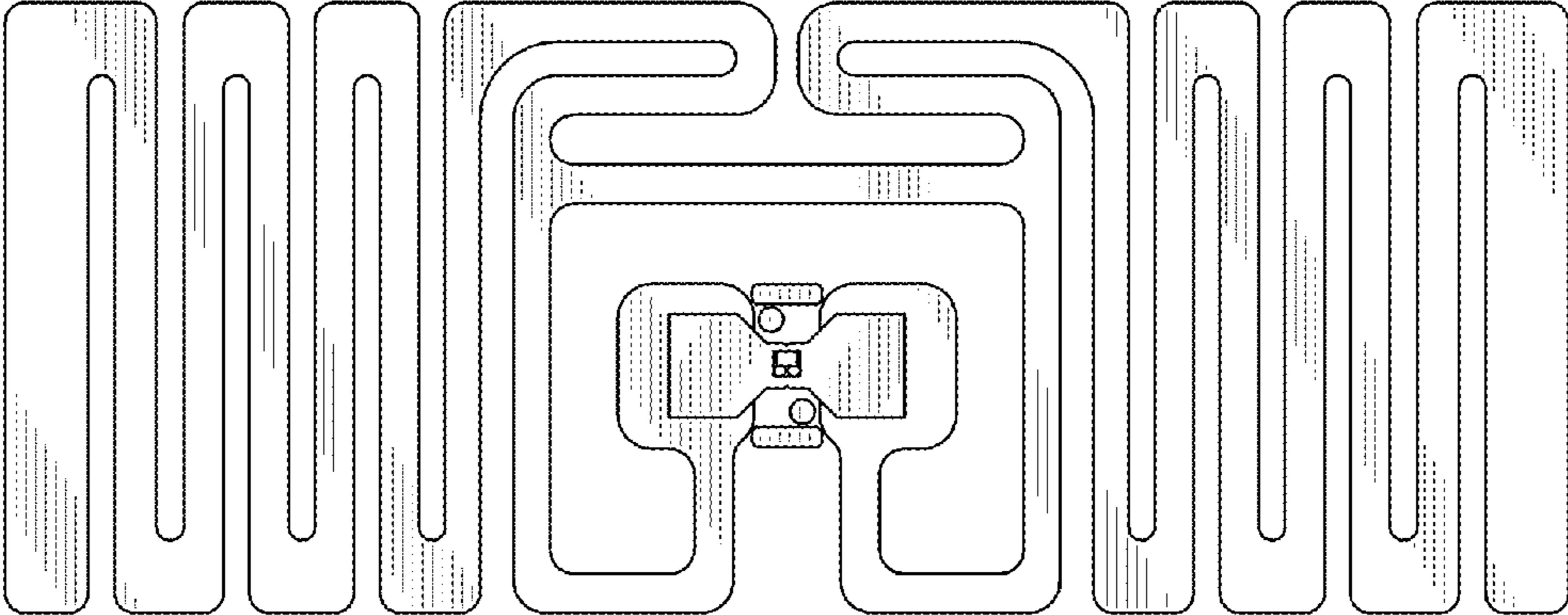


FIG. 2