



US00D710831S

(12) **United States Design Patent**  
**Cooper et al.**

(10) **Patent No.:** **US D710,831 S**

(45) **Date of Patent:** **\*\* Aug. 12, 2014**

(54) **MOUNT**

(71) Applicant: **Freedman Electronics Pty. Ltd.,**  
Silverwater (AU)

(72) Inventors: **Peter Noel Cooper**, Bronte (AU); **Sun Kyung Sunwoo**, Denistone (AU); **David Anthony Pidcock**, Freshwater (AU)

(73) Assignee: **Freedman Electronics Pty. Ltd.** (AU)

(\*\*) Term: **14 Years**

(21) Appl. No.: **29/443,743**

(22) Filed: **Jan. 22, 2013**

(51) **LOC (10) Cl.** ..... **14-01**

(52) **U.S. Cl.**  
USPC ..... **D14/229**

(58) **Field of Classification Search**

CPC ..... H04R 1/08; H04R 1/04; H04R 1/005;  
H04R 1/083; H04R 1/406; H04R 25/604;  
H04R 11/06; H04R 9/08; H04R 3/00; H04R  
3/005; H04R 3/04; H04M 1/03  
USPC ..... D14/224, 226, 229; 381/111, 122, 361,  
381/368; D8/394, 396  
See application file for complete search history.

(56) **References Cited**

U.S. PATENT DOCUMENTS

4,546,950 A \* 10/1985 Cech ..... 248/610  
4,991,220 A \* 2/1991 Wolf ..... 381/368  
5,642,557 A \* 7/1997 Clews ..... 24/339  
D427,586 S \* 7/2000 Cozzolino et al. .... D14/229  
D427,995 S \* 7/2000 Cozzolino et al. .... D14/229  
D619,452 S \* 7/2010 Ollila ..... D8/396  
8,117,796 B2 \* 2/2012 Kodi ..... 52/687

8,121,333 B2 \* 2/2012 Woolf et al. .... 381/368  
D669,135 S \* 10/2012 Garfinkle ..... D20/43  
2013/0019877 A1 \* 1/2013 Sklar ..... 128/845  
2013/0061430 A1 \* 3/2013 Okita et al. .... 24/303

OTHER PUBLICATIONS

Sennheiser, MKE400, Apr. 2008.

\* cited by examiner

*Primary Examiner* — Thomas Johannes

*Assistant Examiner* — Holly E Thurman

(74) *Attorney, Agent, or Firm* — SAIDMAN DesignLaw Group

(57) **CLAIM**

The ornamental design for a mount, as shown and described.

**DESCRIPTION**

FIG. 1 is a top, front perspective view of a mount showing our new design;

FIG. 2 is a bottom, rear perspective view thereof;

FIG. 3 is a right side view thereof;

FIG. 4 is a left side view thereof;

FIG. 5 is a front view thereof;

FIG. 6 is a rear view thereof;

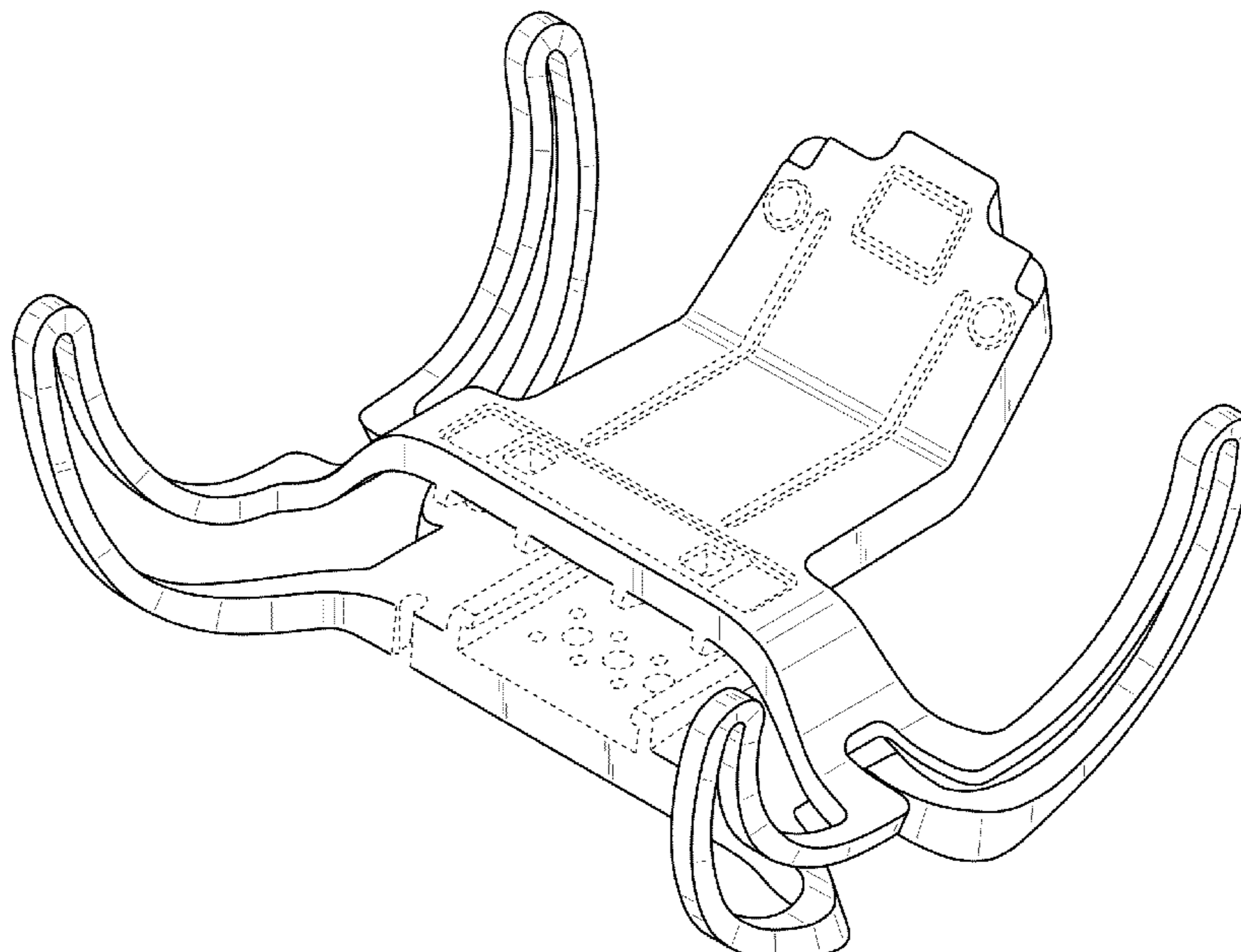
FIG. 7 is a top view thereof; and,

FIG. 8 is a bottom view thereof.

The relatively thin shade lines represent contour, not surface decoration.

The broken lines illustrate environmental structure and form no part of the claimed design.

**1 Claim, 6 Drawing Sheets**



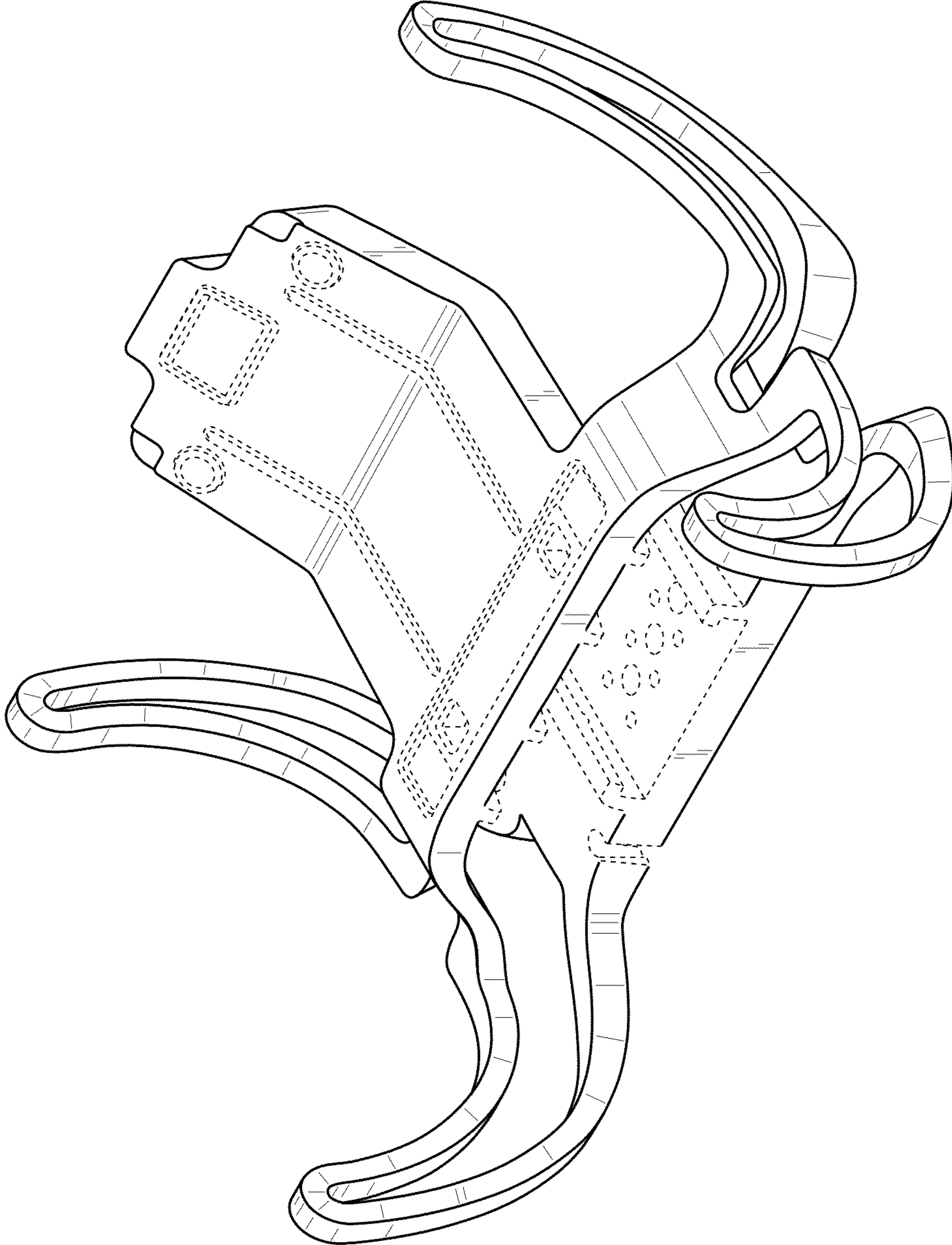


Fig. 1

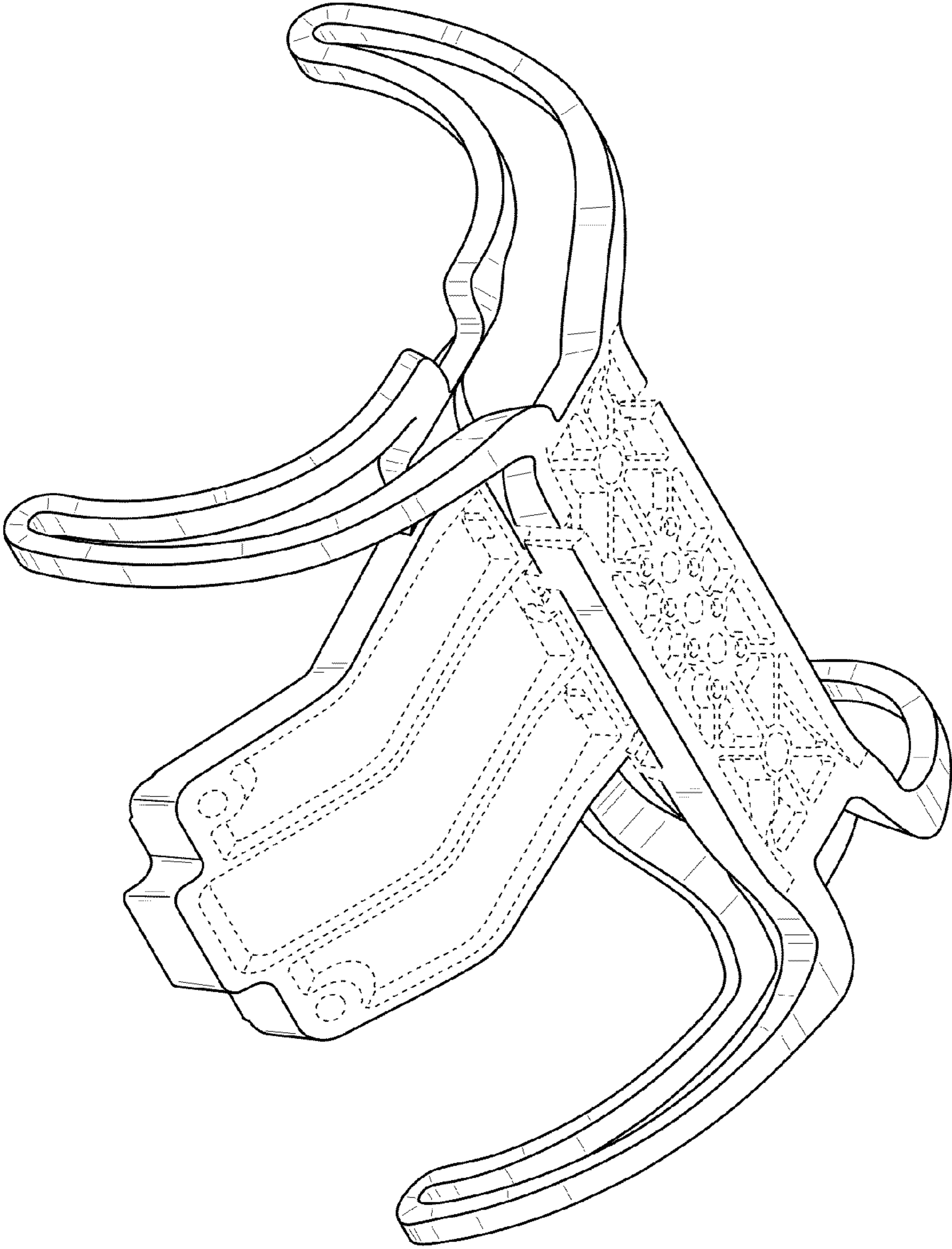


Fig. 2

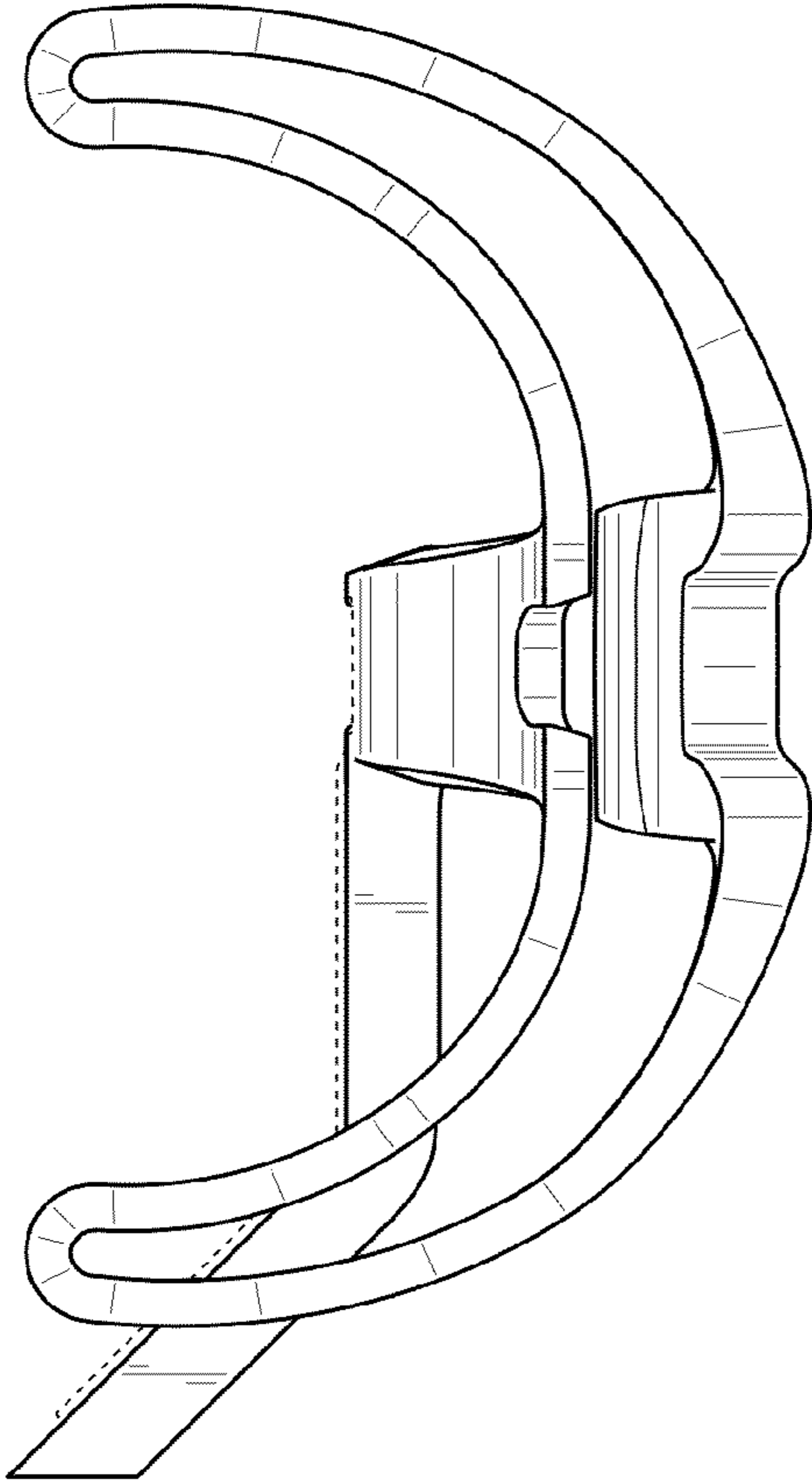


Fig. 4

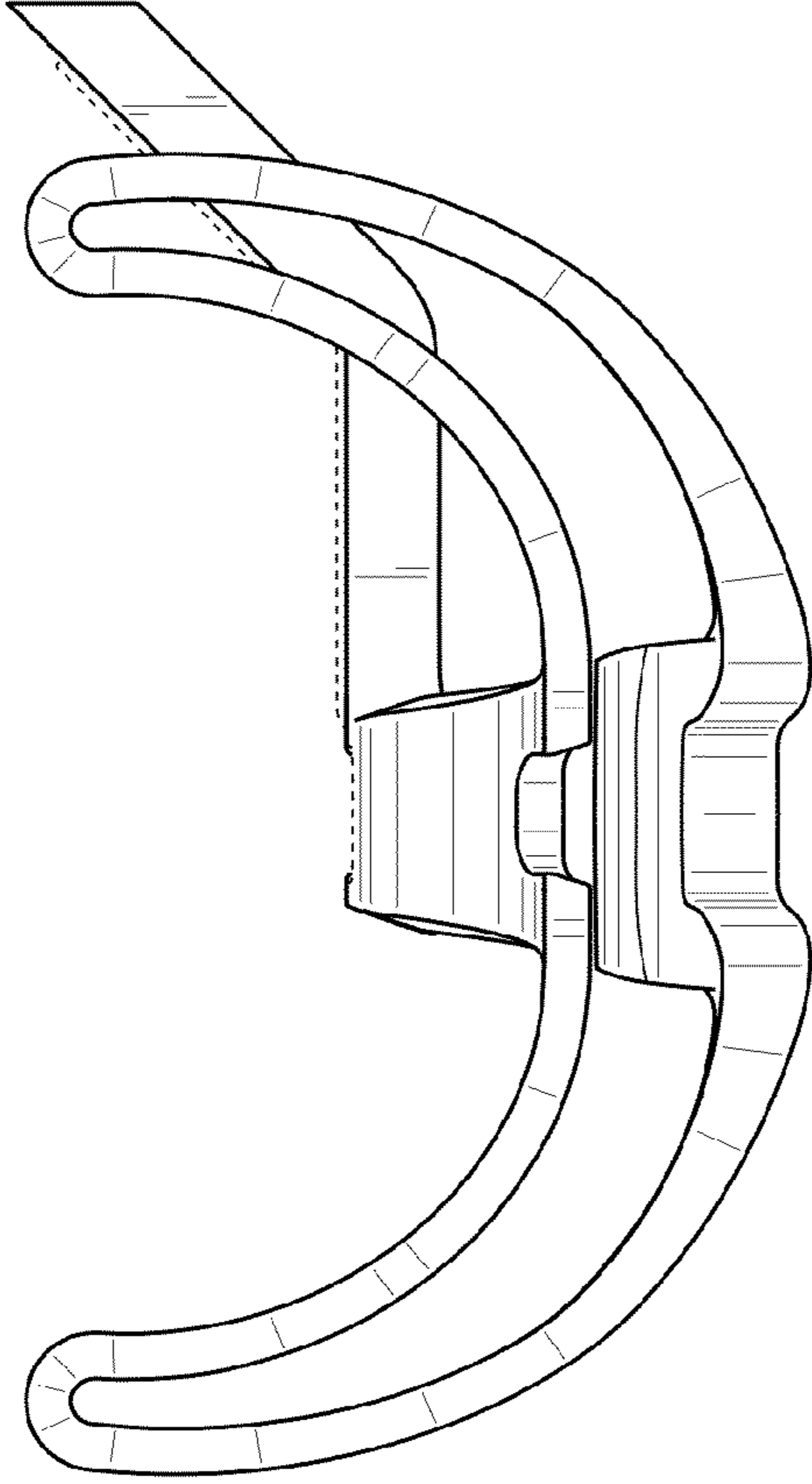


Fig. 3



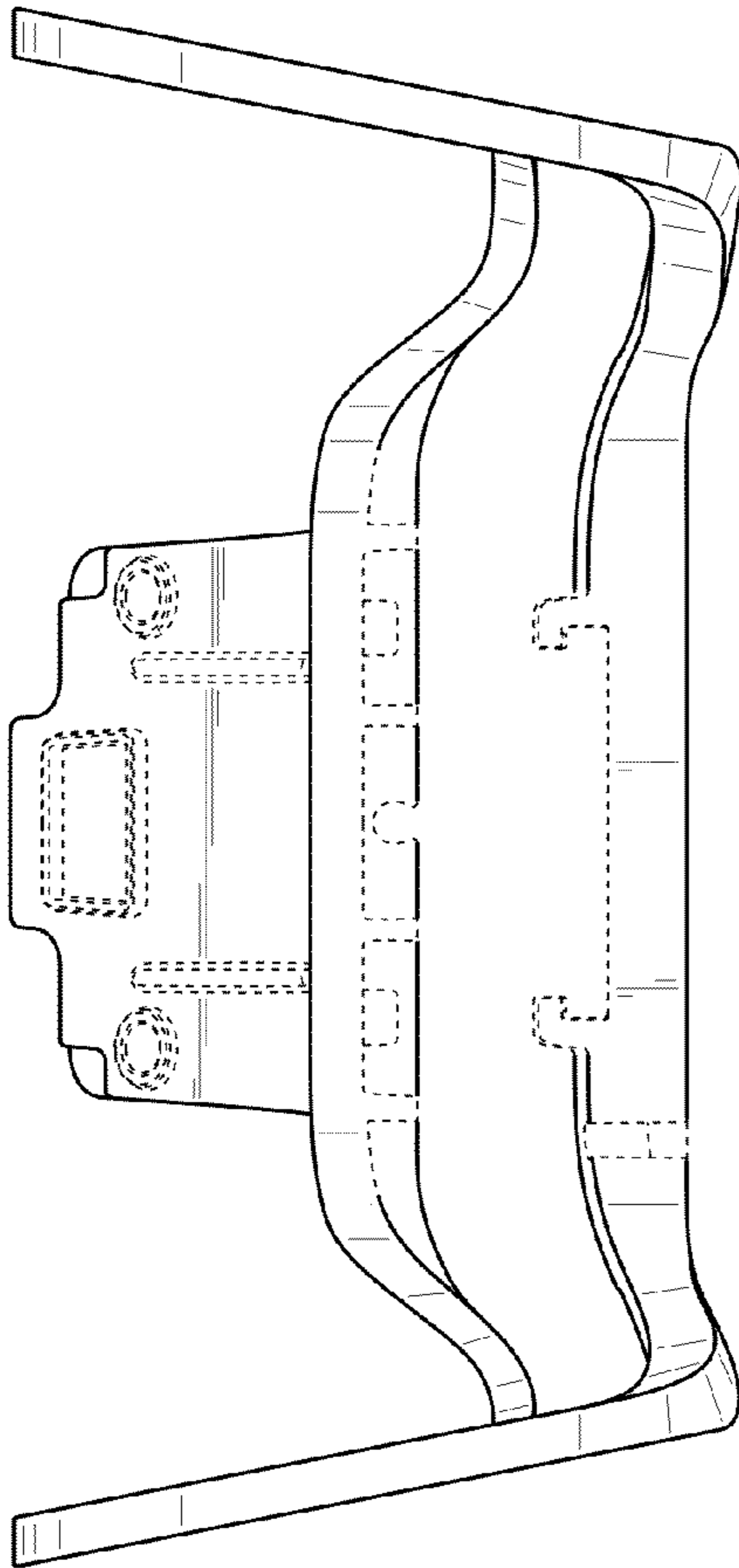


Fig. 5

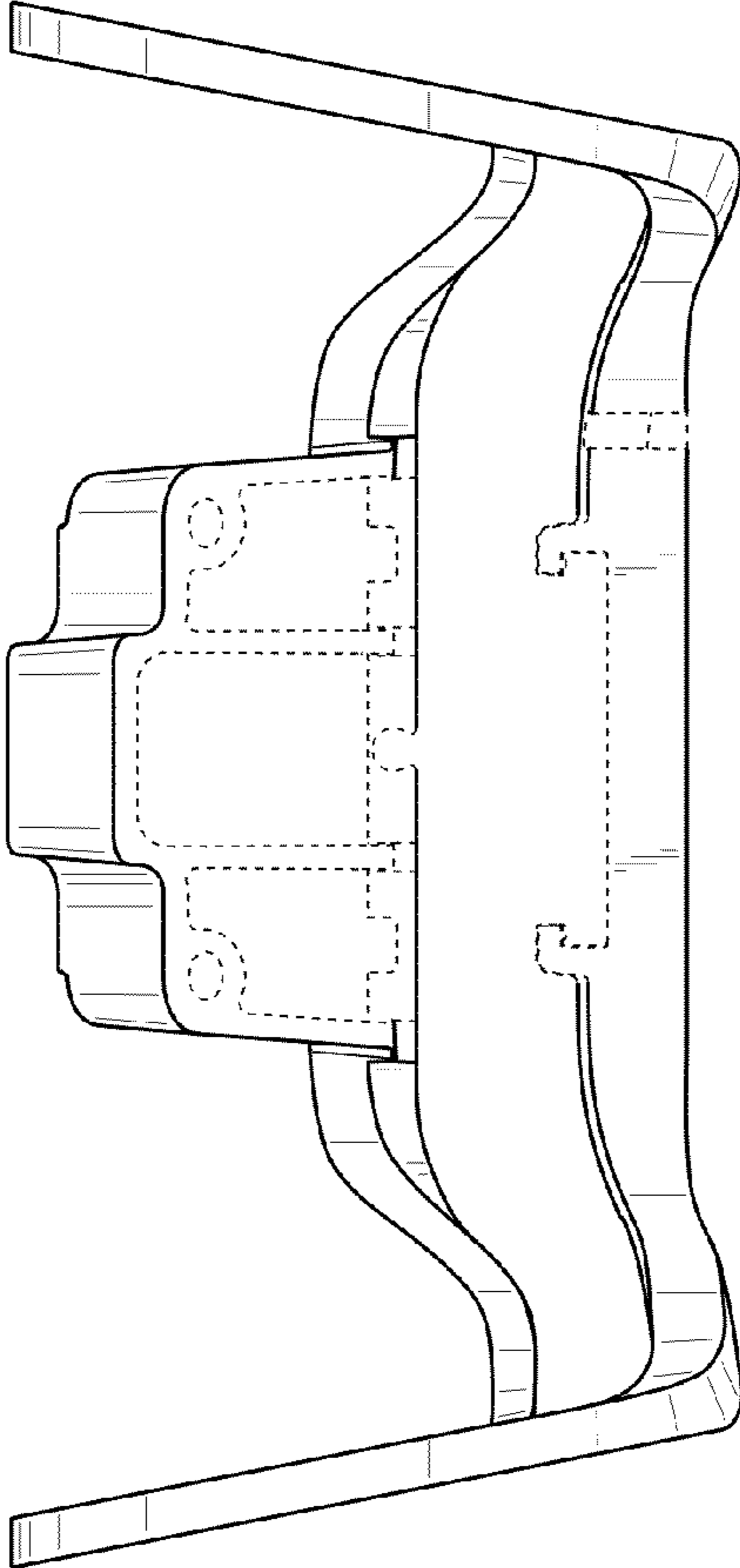
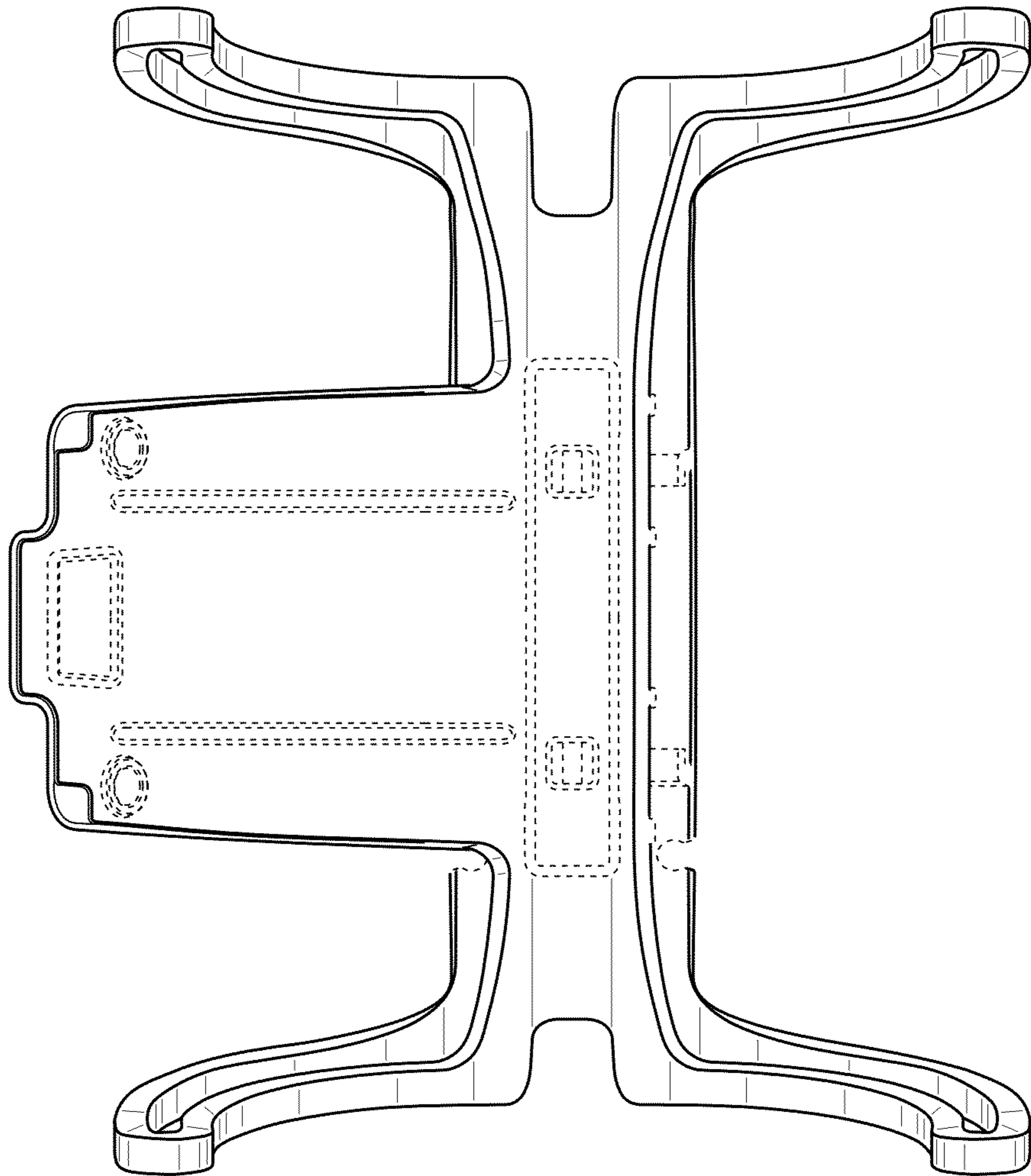
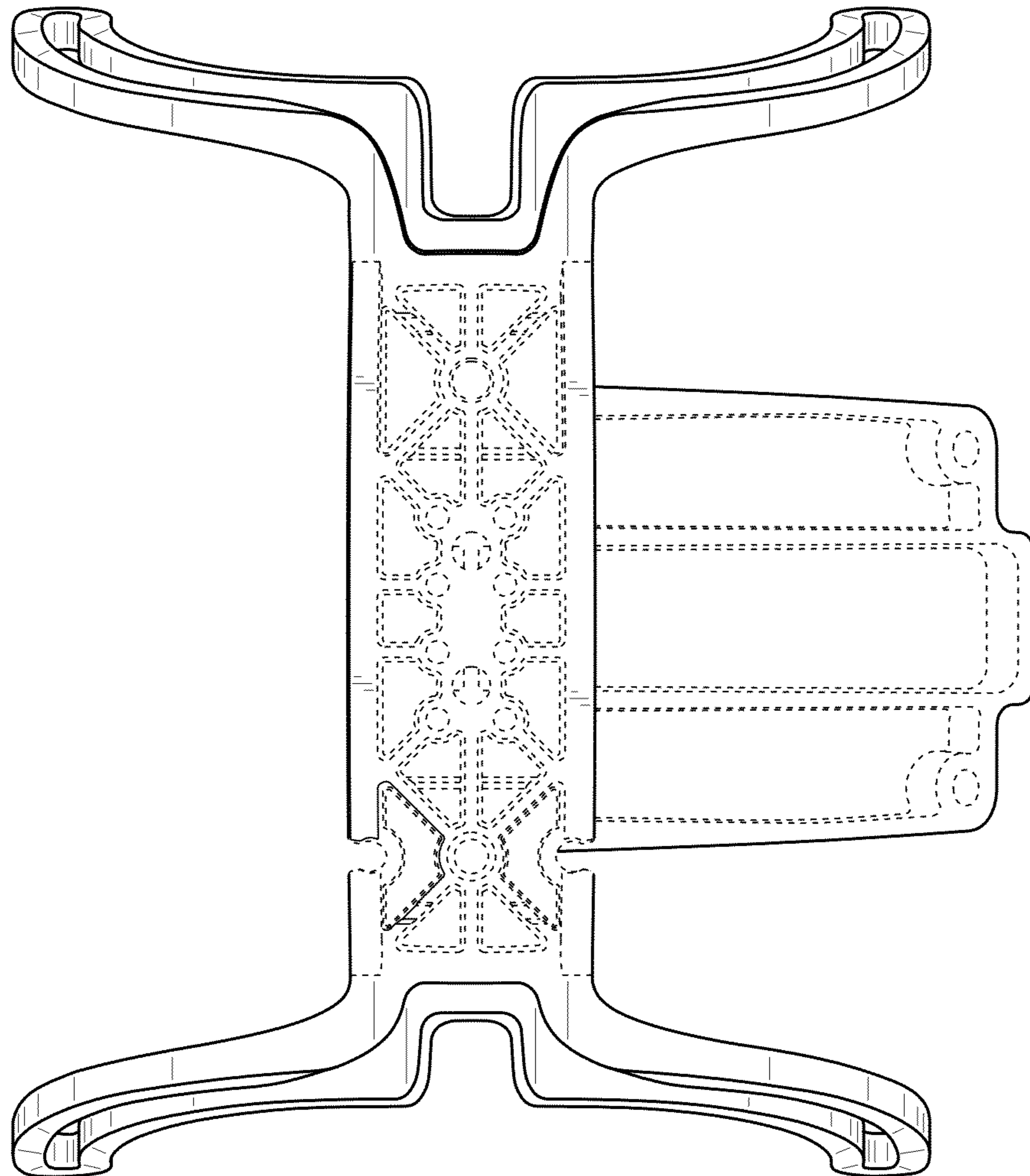


Fig. 6



**Fig. 7**



**Fig. 8**