



US00D710830S

(12) **United States Design Patent**
Birger

(10) **Patent No.:** **US D710,830 S**

(45) **Date of Patent:** **** Aug. 12, 2014**

(54) **HEADSET**

(71) Applicant: **Johan Birger**, Malmö (SE)

(72) Inventor: **Johan Birger**, Malmö (SE)

(73) Assignee: **GN Netcom A/S** (DK)

(**) Term: **14 Years**

(21) Appl. No.: **29/468,881**

(22) Filed: **Oct. 4, 2013**

Related U.S. Application Data

(62) Division of application No. 29/432,791, filed on Sep. 20, 2012, now Pat. No. Des. 693,796.

(30) **Foreign Application Priority Data**

Mar. 23, 2012 (EM) 001992843-001

(51) **LOC (10) Cl.** **14-01**

(52) **U.S. Cl.**
USPC **D14/223**

(58) **Field of Classification Search**
USPC D14/223, 205, 206, 218; 181/129, 130,
181/135; 379/430, 431; 381/380, 381;
455/90.3, 575.1

See application file for complete search history.

(56) **References Cited**

U.S. PATENT DOCUMENTS

D177,572 S * 5/1956 Kendall D24/174
D361,058 S * 8/1995 Domel et al. D13/168
D450,313 S * 11/2001 Koinuma D14/218
D509,199 S * 9/2005 Haase et al. D14/137
D528,529 S * 9/2006 Rose et al. D14/138 R
D533,540 S * 12/2006 Murray D14/205
D535,974 S 1/2007 Alwicker et al.
D538,271 S 3/2007 Kim et al.

D538,792 S * 3/2007 Kim et al. D14/223
D566,103 S * 4/2008 Sade et al. D14/223
D566,108 S * 4/2008 Kan D14/223
D568,301 S * 5/2008 Kim et al. D14/223
D573,983 S * 7/2008 Bang et al. D14/223
D579,923 S 11/2008 Andre et al.
D581,396 S 11/2008 Wikel et al.
D582,897 S 12/2008 Christopher et al.
D585,431 S * 1/2009 Bradford et al. D14/223
D588,113 S 3/2009 Bradford
D590,377 S * 4/2009 Bradford D14/223
D590,813 S * 4/2009 Bradford et al. D14/223
D598,900 S 8/2009 Wikel et al.
D602,007 S 10/2009 Lee et al.
D603,378 S * 11/2009 Paradise D14/223
D604,722 S 11/2009 Mistry
D609,695 S * 2/2010 Cigliano et al. D14/205
D616,873 S * 6/2010 Olivier D14/223
D618,221 S * 6/2010 Fahrendorff et al. D14/223
7,778,410 B2 * 8/2010 Liu et al. 379/430
D624,904 S * 10/2010 Lim D14/223
D634,305 S * 3/2011 Hoggarth D14/223
D636,381 S 4/2011 Liner
D640,242 S 6/2011 Fahrendorff et al.

(Continued)

Primary Examiner — Paula Greene

(74) *Attorney, Agent, or Firm* — Altera Law Group, LLC

(57) **CLAIM**

The ornamental design for a headset, as shown and described.

DESCRIPTION

FIG. 1 is a top perspective view of a headset showing my new design;

FIG. 2 is a top plan view thereof;

FIG. 3 is a bottom plan view thereof;

FIG. 4 is a side elevational view thereof;

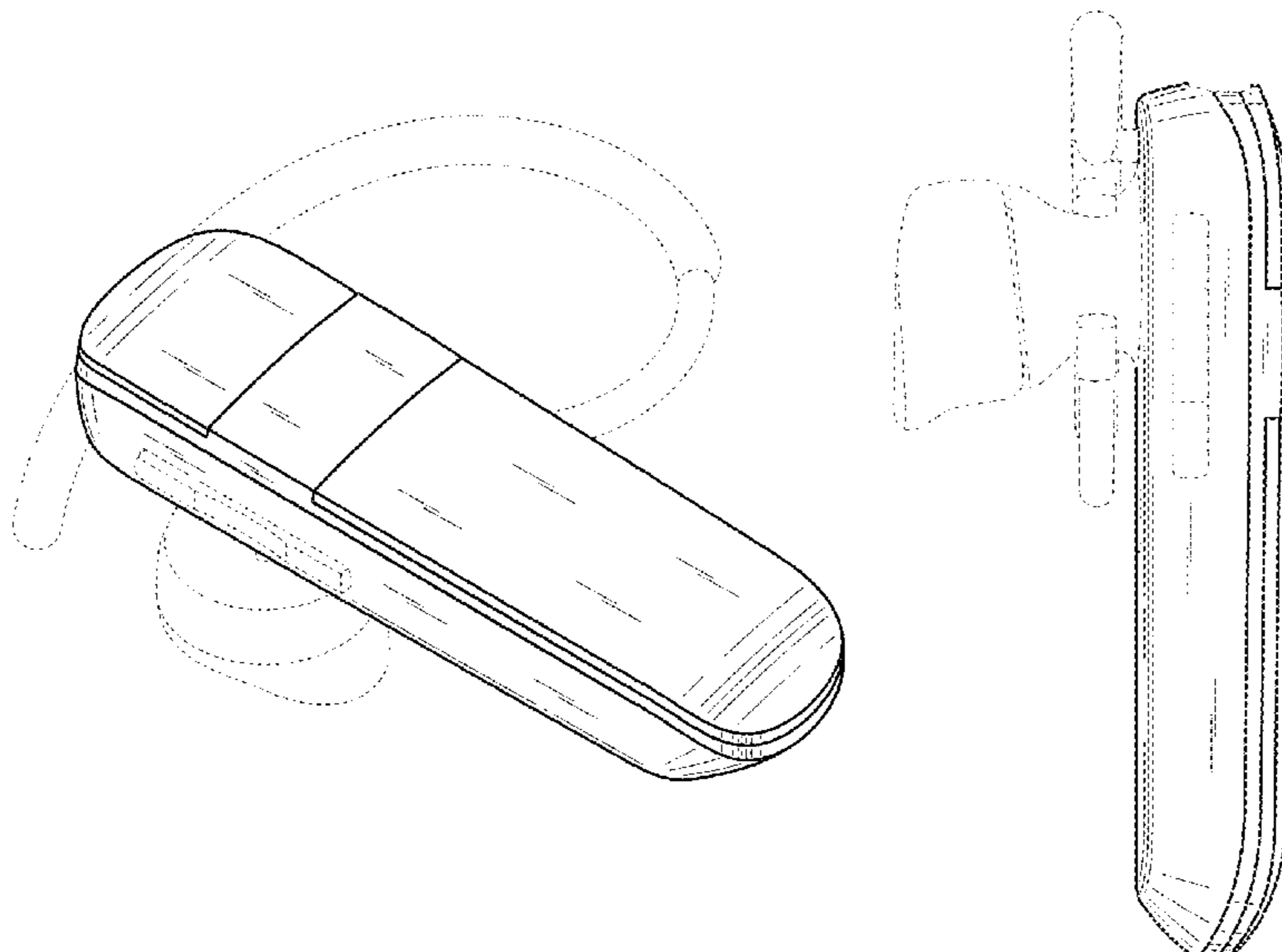
FIG. 5 is an opposite side elevational view thereof;

FIG. 6 is an end view thereof; and,

FIG. 7 is an opposite end view thereof.

The broken lines form no part of the claimed design.

1 Claim, 4 Drawing Sheets



(56)

References Cited

U.S. PATENT DOCUMENTS

D643,420 S	8/2011	Huang		
D649,957 S	12/2011	Fahrendorff et al.		
D651,590 S	1/2012	Kang et al.		
D655,694 S	3/2012	Hanks et al.		
D655,695 S	3/2012	Hanks et al.		
D656,490 S *	3/2012	Birger	D14/223	* cited by examiner
D657,781 S	4/2012	Yang		
D664,950 S	8/2012	Rye et al.		
D665,384 S	8/2012	Birger		
8,285,208 B2	10/2012	Terlizzi		
D671,096 S *	11/2012	Song et al.	D14/223	
D675,600 S *	2/2013	Koch	D14/223	
D689,847 S *	9/2013	To	D14/223	
D691,120 S *	10/2013	Koch	D14/223	

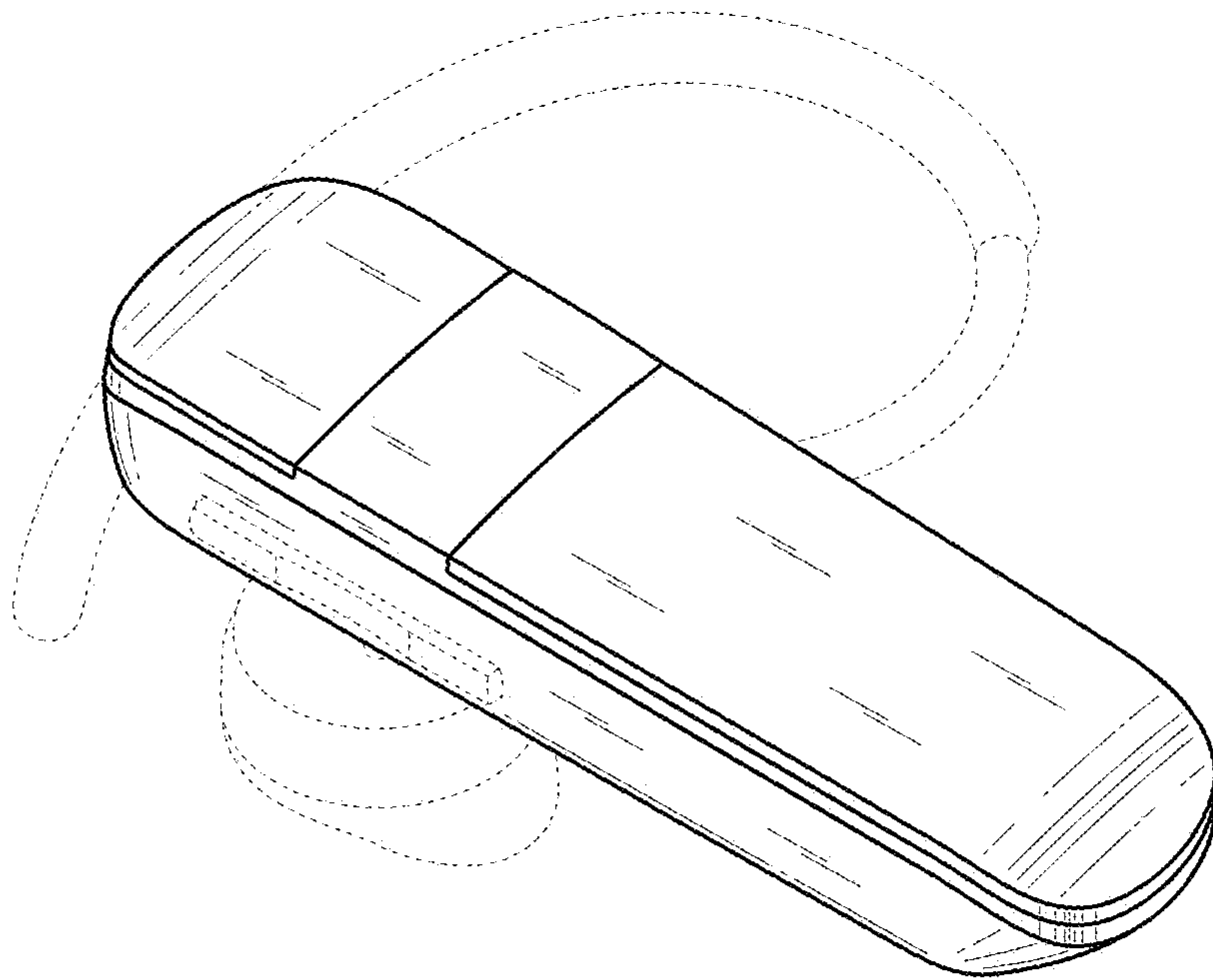


Fig. 1

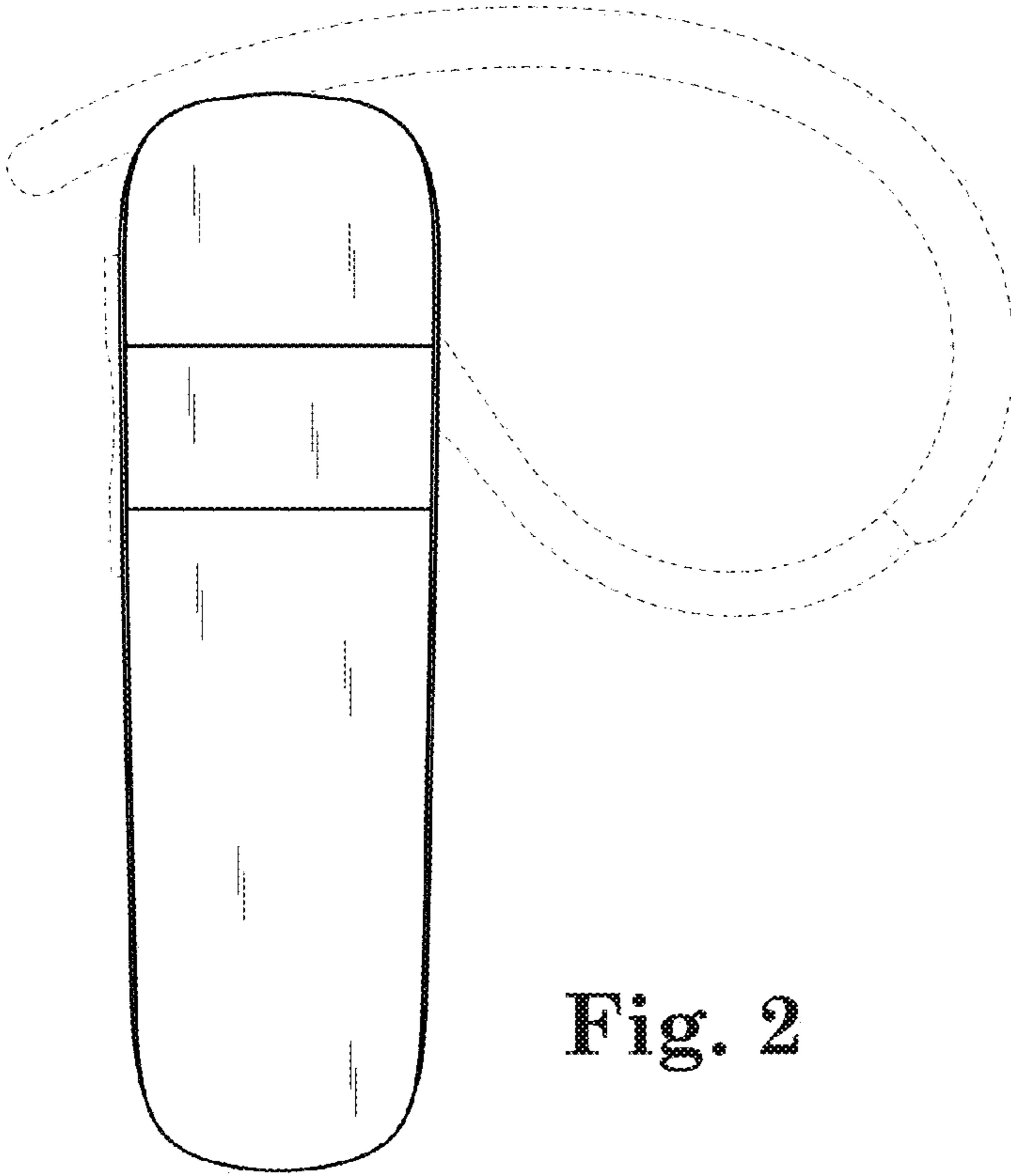


Fig. 2

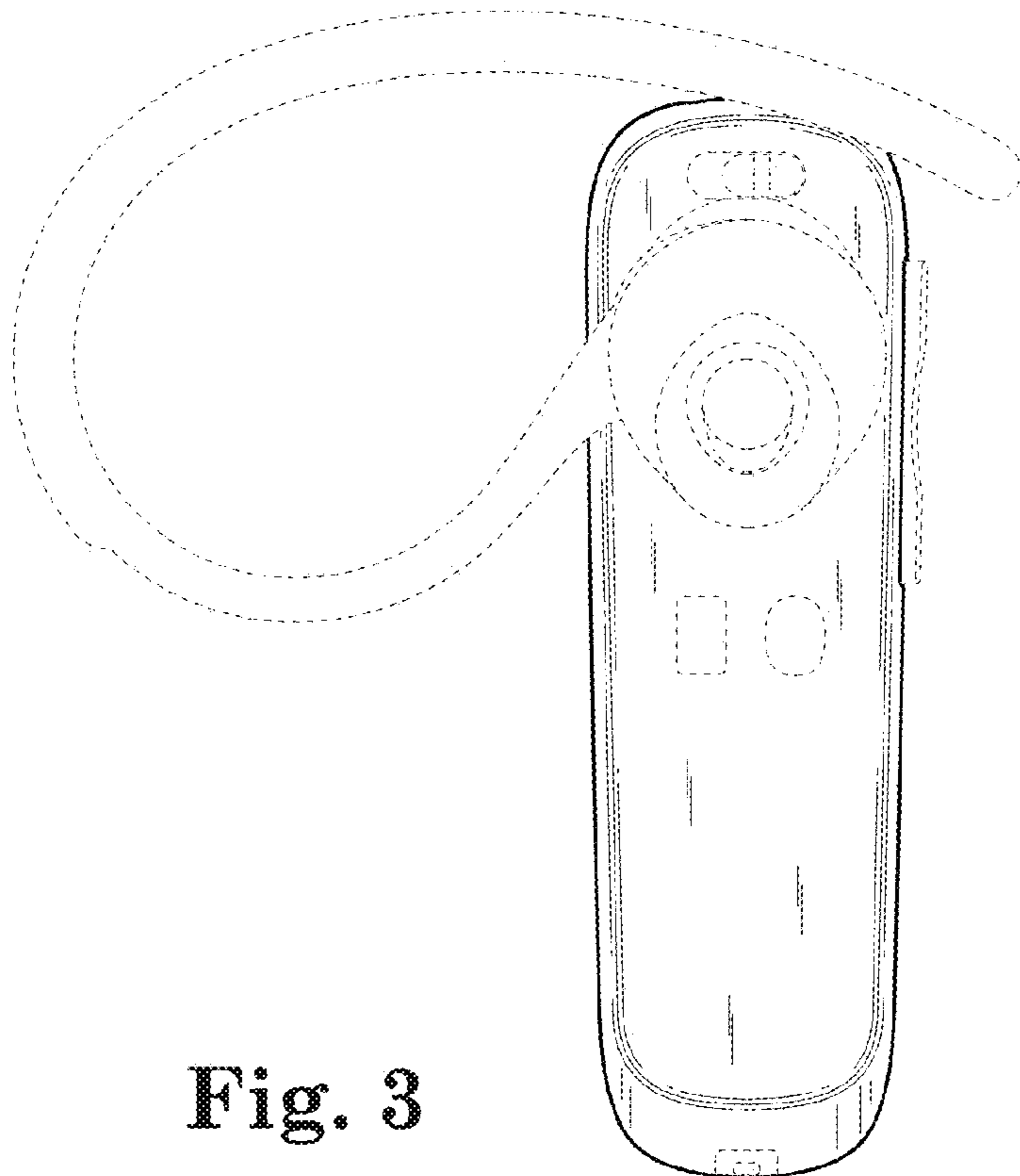


Fig. 3

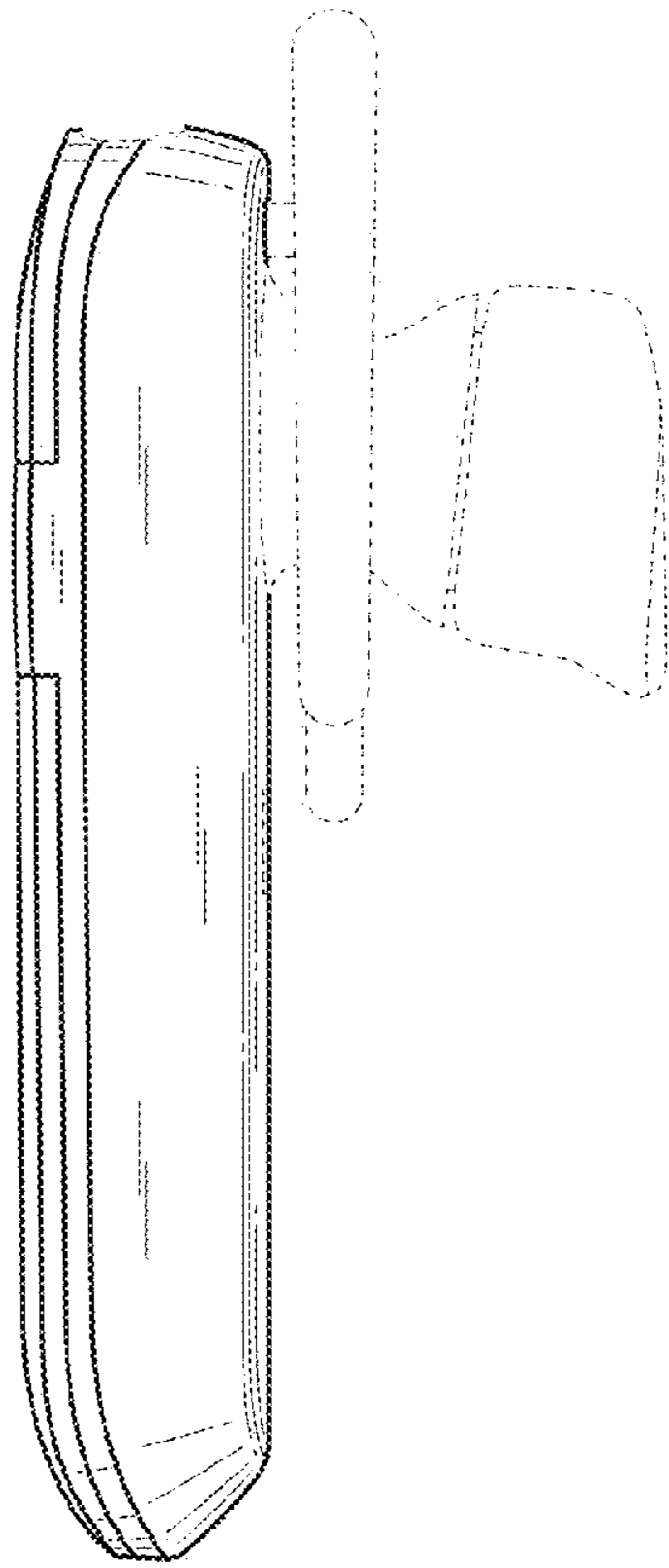


Fig. 4

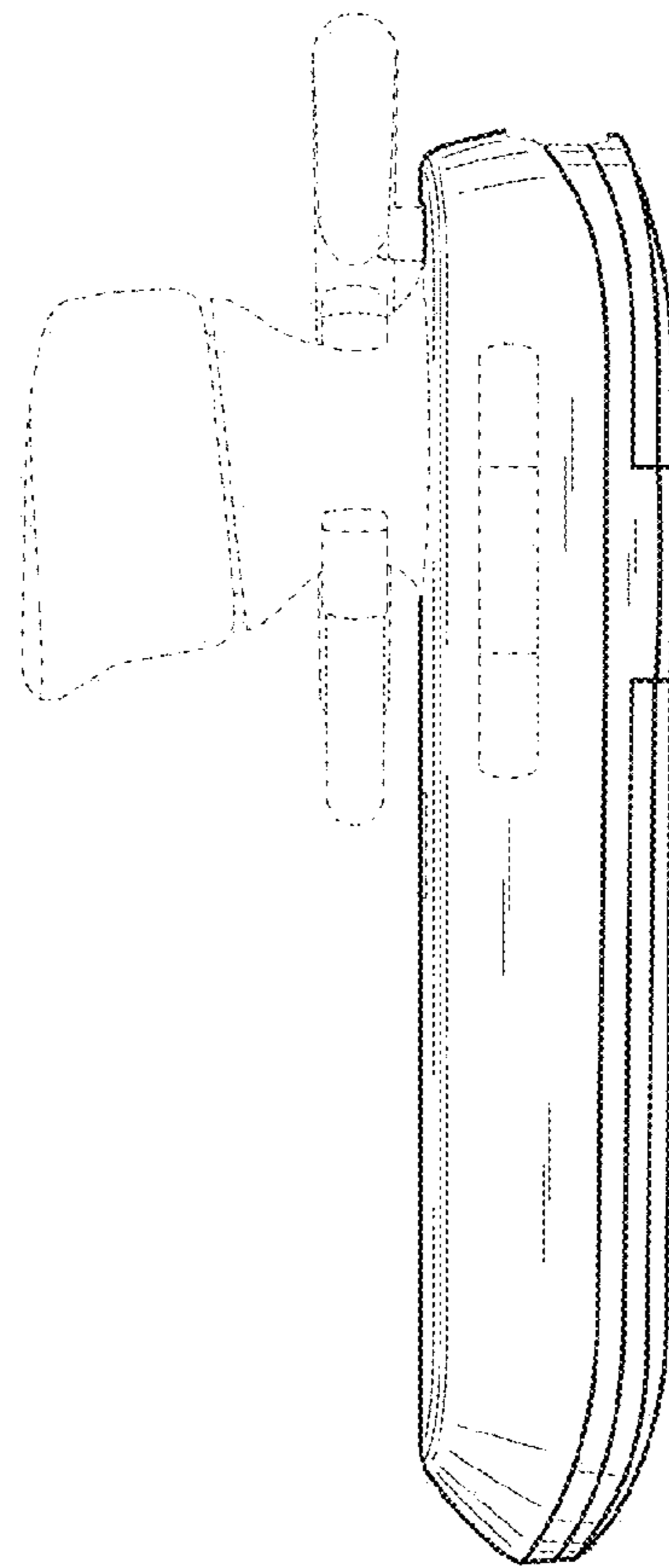


Fig. 5

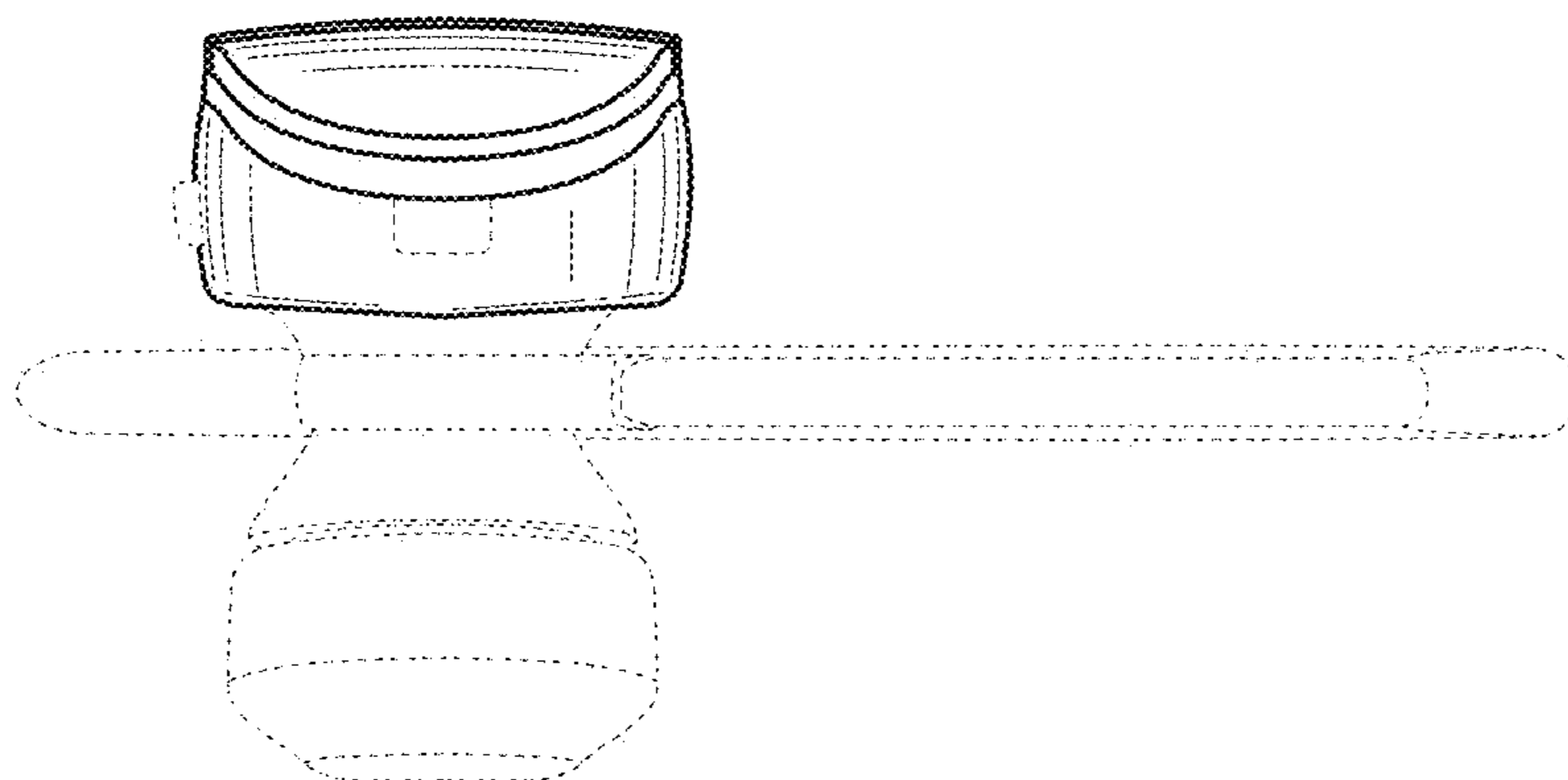


Fig. 6

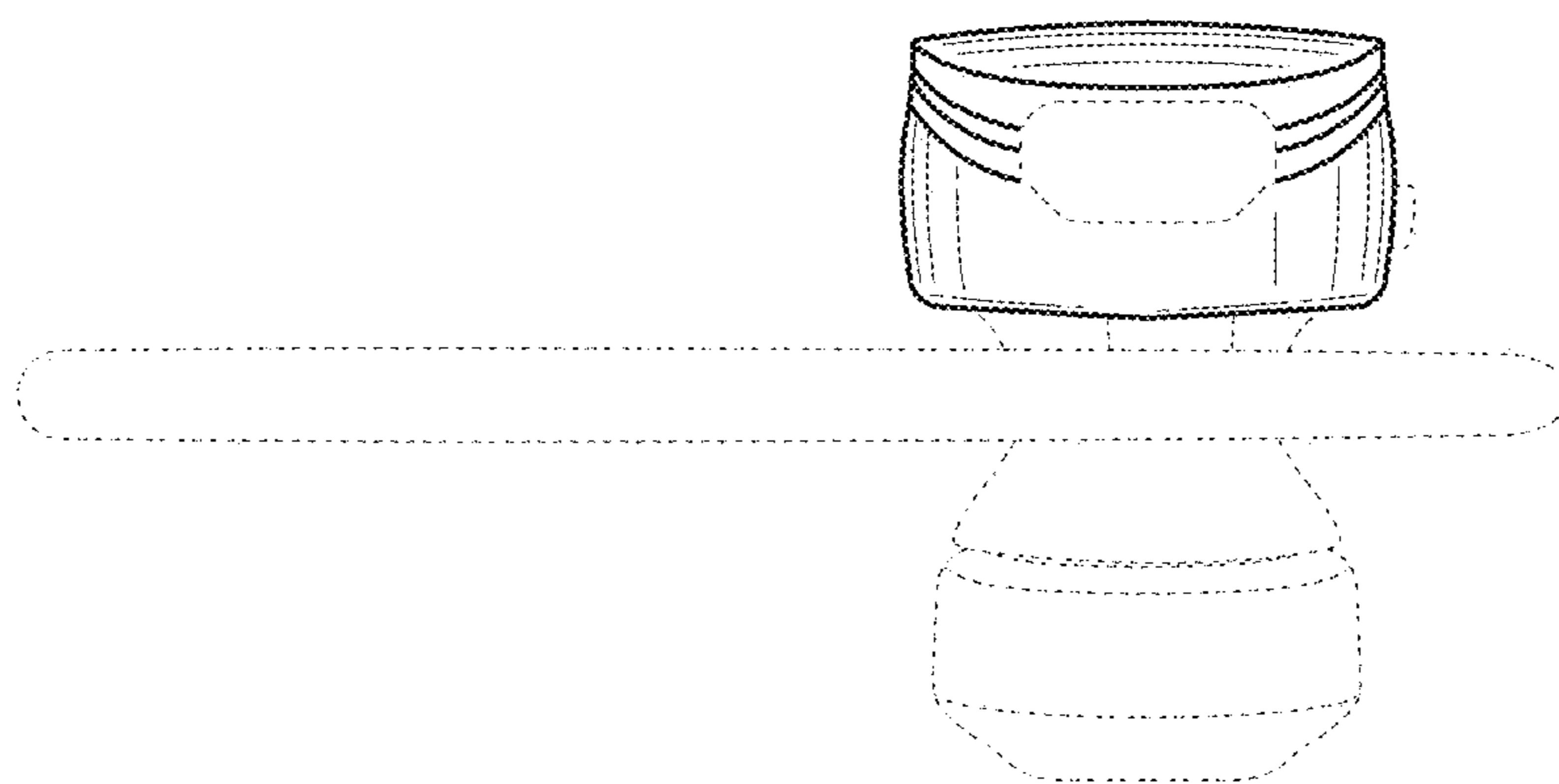


Fig. 7