



US00D710829S

(12) **United States Design Patent**
Loudon et al.

(10) **Patent No.:** **US D710,829 S**
(45) **Date of Patent:** **** Aug. 12, 2014**

(54) **SPEAKER GRILLE**

(71) Applicant: **Dubgear Inc.**, Etobicoke (CA)

(72) Inventors: **Jonathan Paul Loudon**, Toronto (CA);
Jansen Leslie White, Etobicoke (CA);
Heather Chi-Ying Lam, Toronto (CA);
Kevin Martin Armour, Toronto (CA)

(73) Assignee: **Dubgear Inc.**, Etobicoke (CA)

(**) Term: **14 Years**

(21) Appl. No.: **29/440,441**

(22) Filed: **Dec. 21, 2012**

(51) **LOC (10) Cl.** **14-01**

(52) **U.S. Cl.**
USPC **D14/219**

(58) **Field of Classification Search**
USPC D14/204, 207, 209.1, 210–216, 172,
D14/168, 356, 474, 496, 137, 188, 203.1,
D14/265, 148, 150, 157; 181/143, 144, 147,
181/148, 150–153, 157, 198, 199;
381/300–303, 306, 332, 333, 336, 345,
381/361–364, 386–388; 52/660, 663, 670,
52/673, 676; 49/50

See application file for complete search history.

(56) **References Cited**

U.S. PATENT DOCUMENTS

D195,483 S * 6/1963 Hallock D25/142
D200,351 S * 2/1965 Bright D5/1
3,191,729 A * 6/1965 Brown 52/473
D204,314 S * 4/1966 Bright D5/1
3,289,378 A * 12/1966 Carroll 52/688
3,563,834 A * 2/1971 Vidan 428/52

D221,885 S * 9/1971 Gruett D15/150
3,678,558 A * 7/1972 Fredericks 29/897.15
3,906,698 A * 9/1975 Oepping 52/663

OTHER PUBLICATIONS

The Harrigton & King Ctalog # 90, p. 18, Copyright 1075.*

* cited by examiner

Primary Examiner — Prabhakar Deshmukh

(74) *Attorney, Agent, or Firm* — Bhole IP Law; Anil Bhole

(57) **CLAIM**

The ornamental design for a speaker grille, as shown and described.

DESCRIPTION

FIG. 1 is an enlarged front elevation view of a speaker grille showing our new design;

FIG. 2 is a perspective view thereof, shown in its first environmental use;

FIG. 3 is a perspective view thereof, shown in its second environmental use;

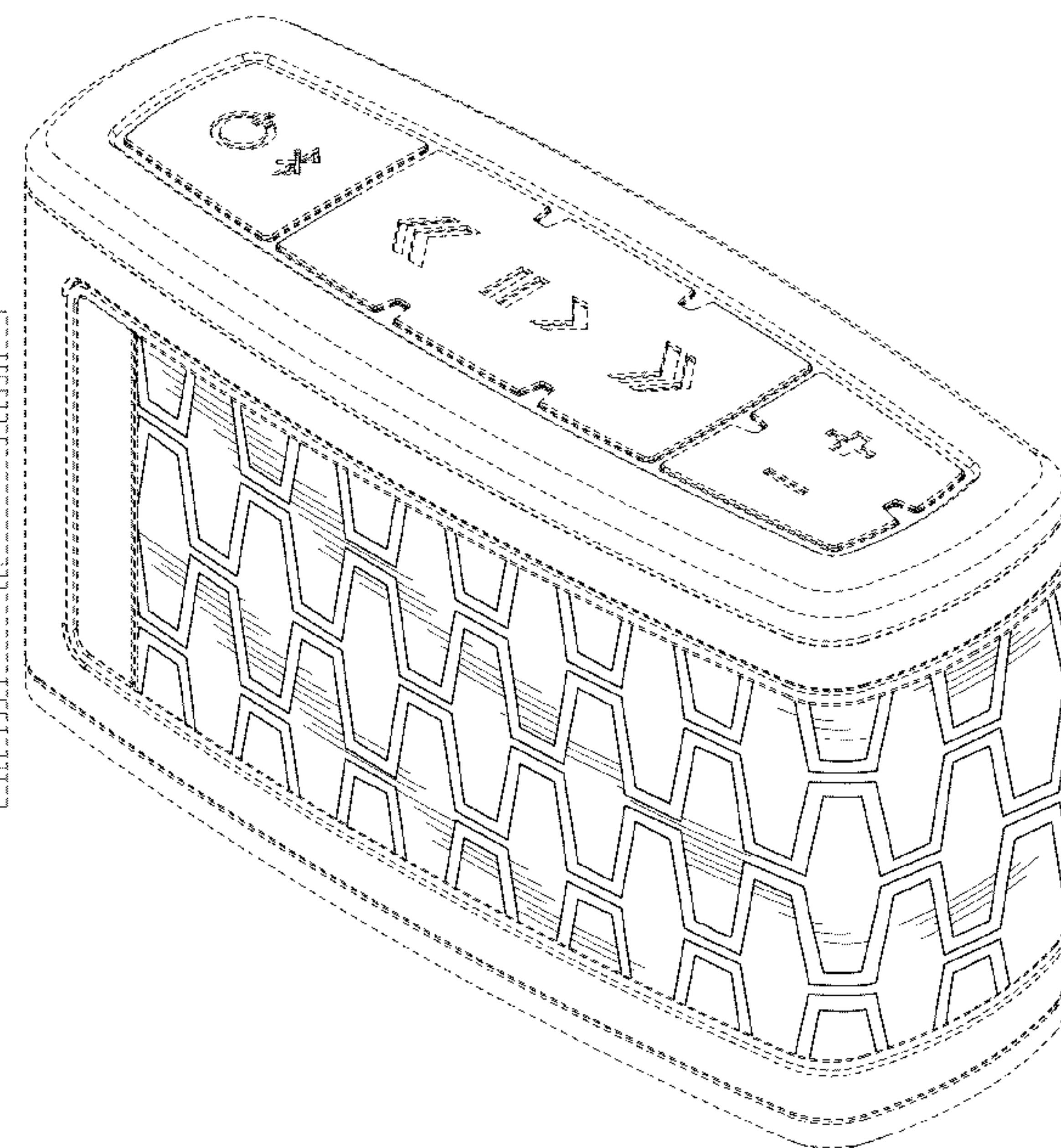
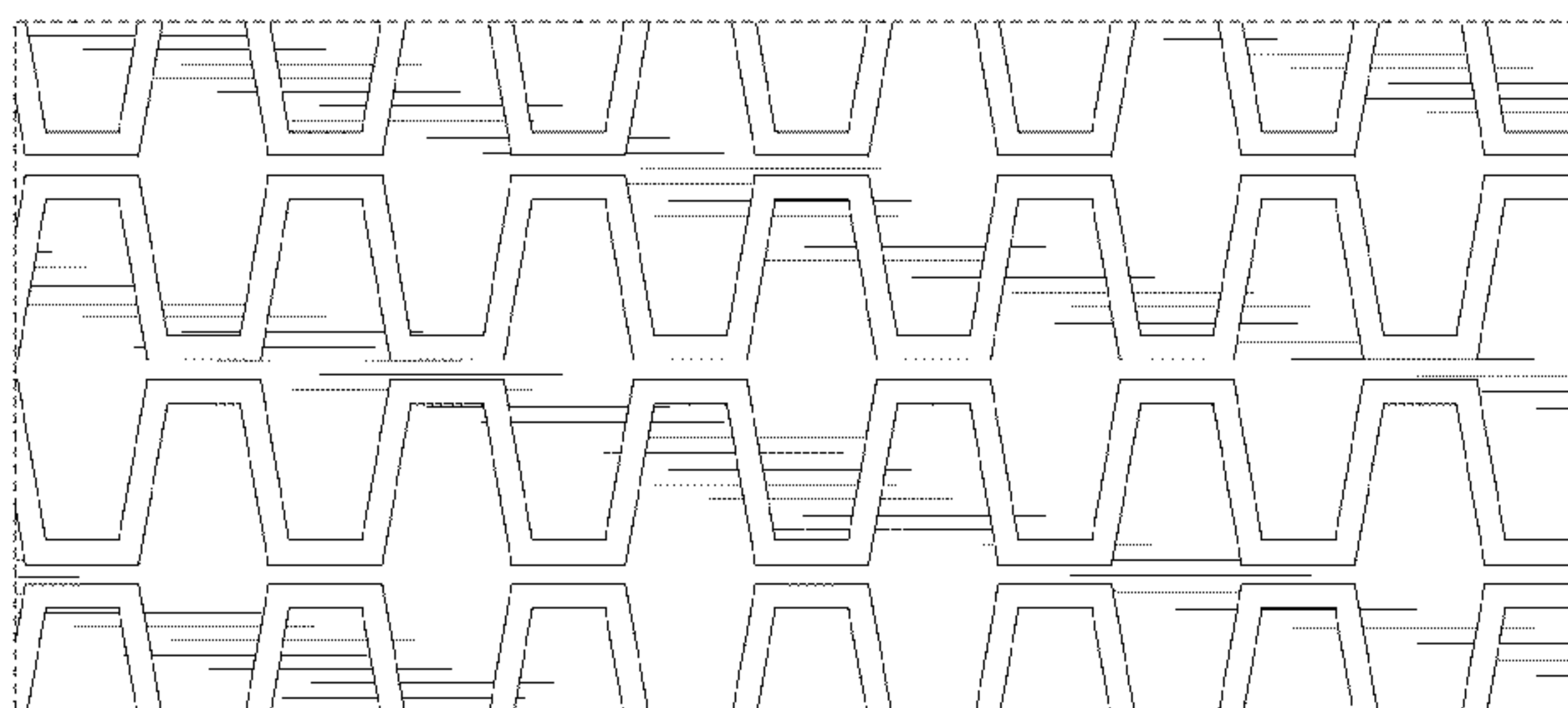
FIG. 4 is a perspective view thereof, shown in its third environmental use;

FIG. 5 is a perspective view thereof, shown in its fourth environmental use; and,

FIG. 6 is a perspective view thereof, shown in its fifth environmental use.

The broken lines in FIG. 1 represent indeterminate length of the claimed design. All other broken lines in FIGS. 2-6 indicate environment and are for illustrative purpose only. None of the broken lines form part of the claimed design.

1 Claim, 6 Drawing Sheets



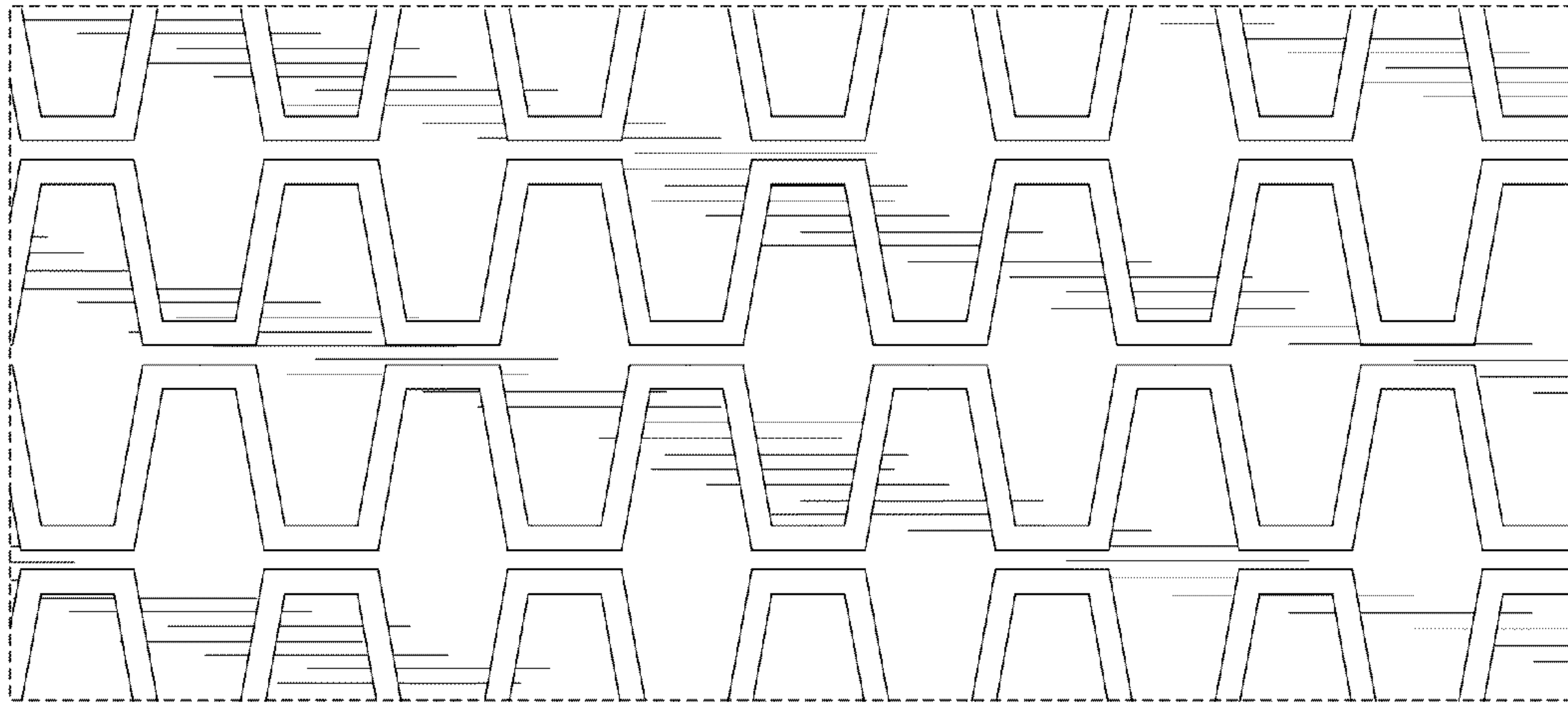


FIG. 1

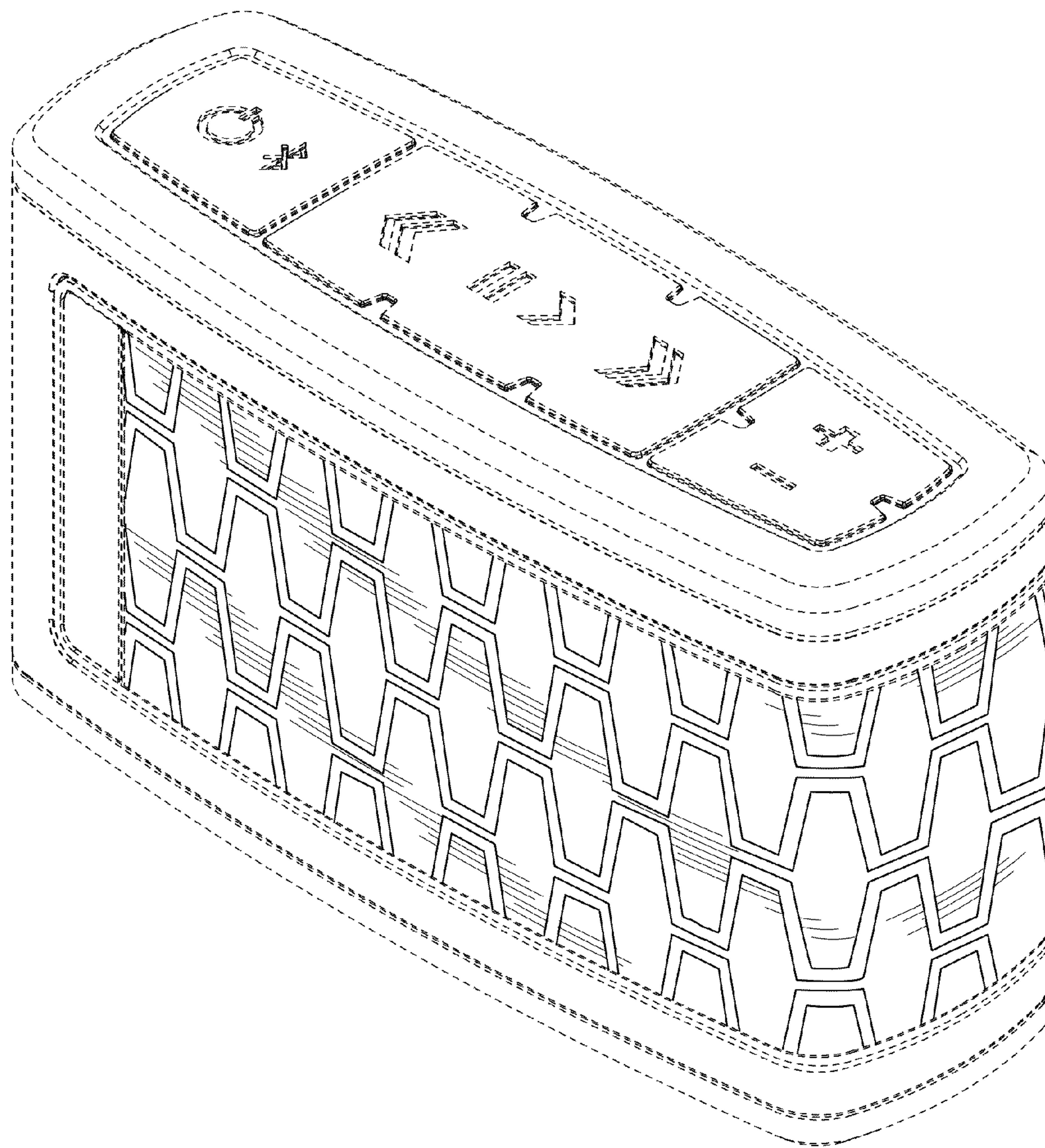


FIG. 2

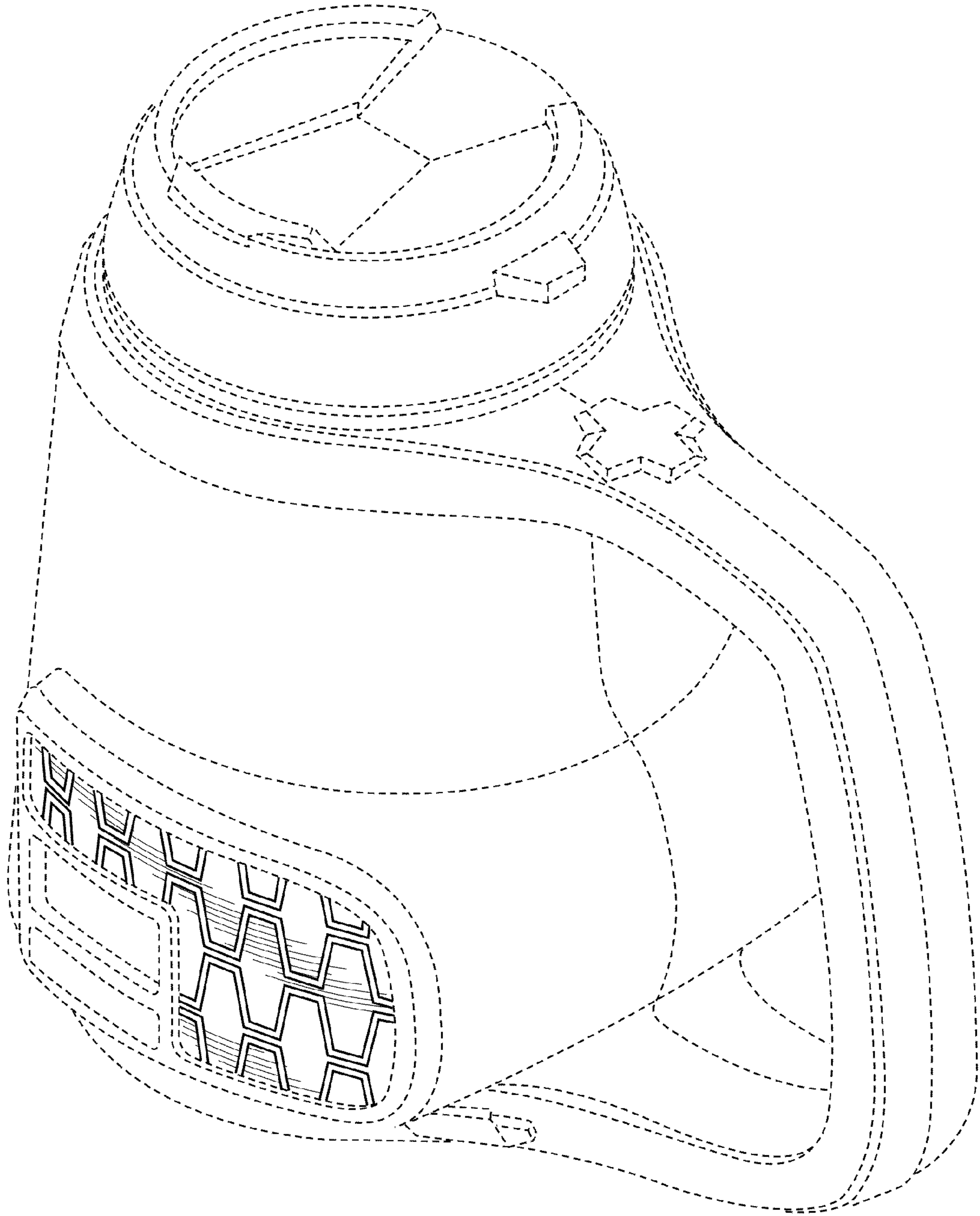


FIG. 3

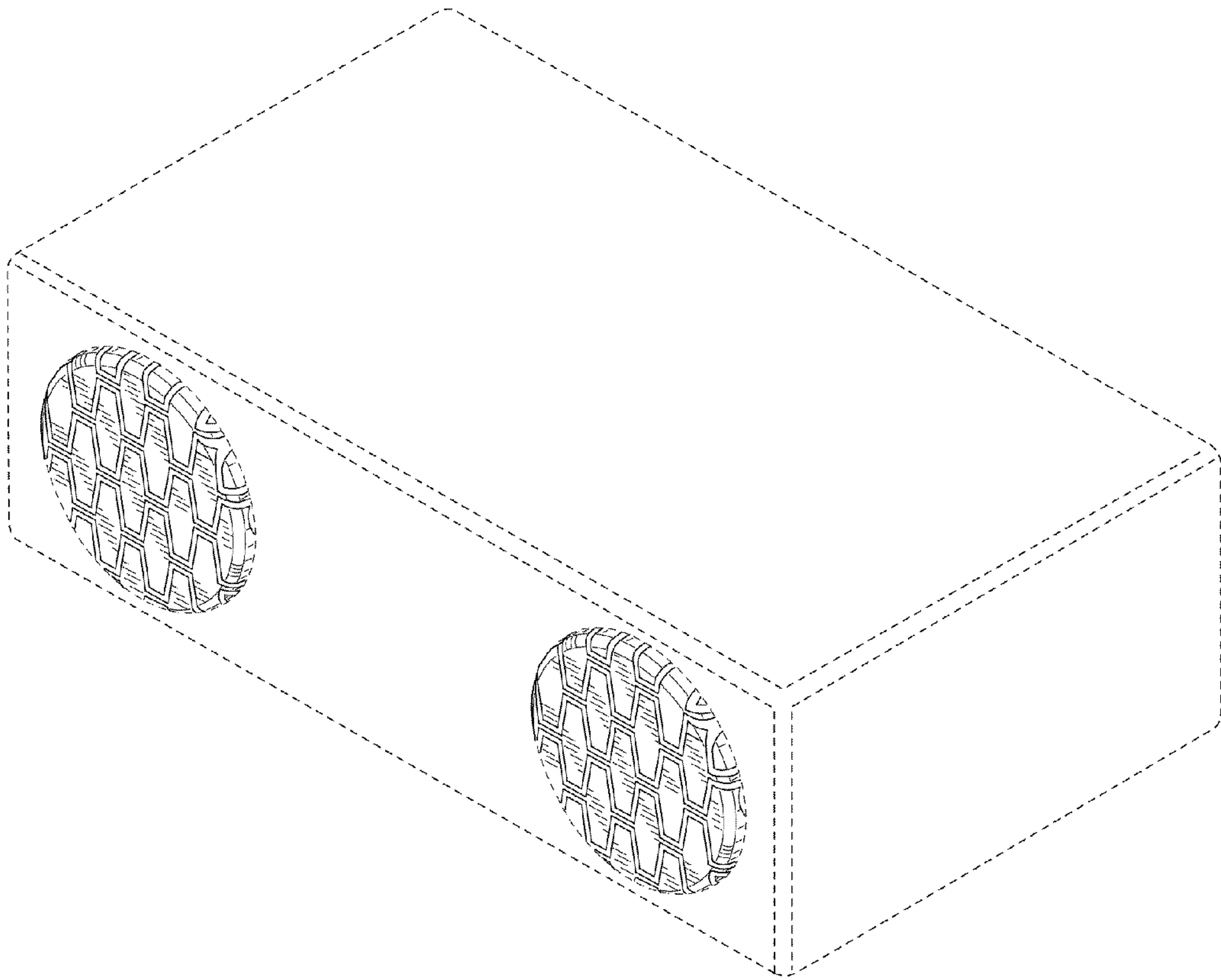


FIG. 4

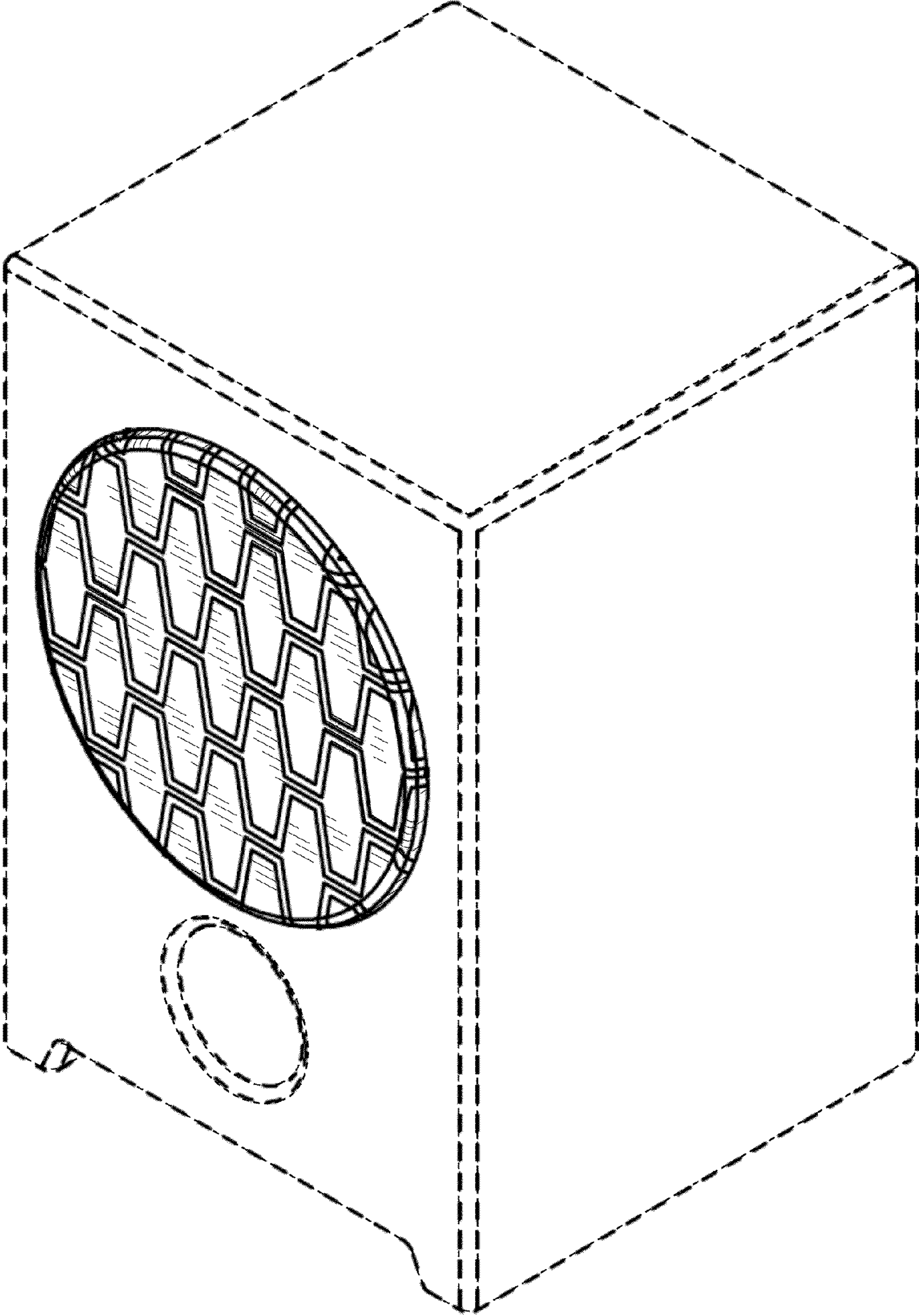


FIG. 5

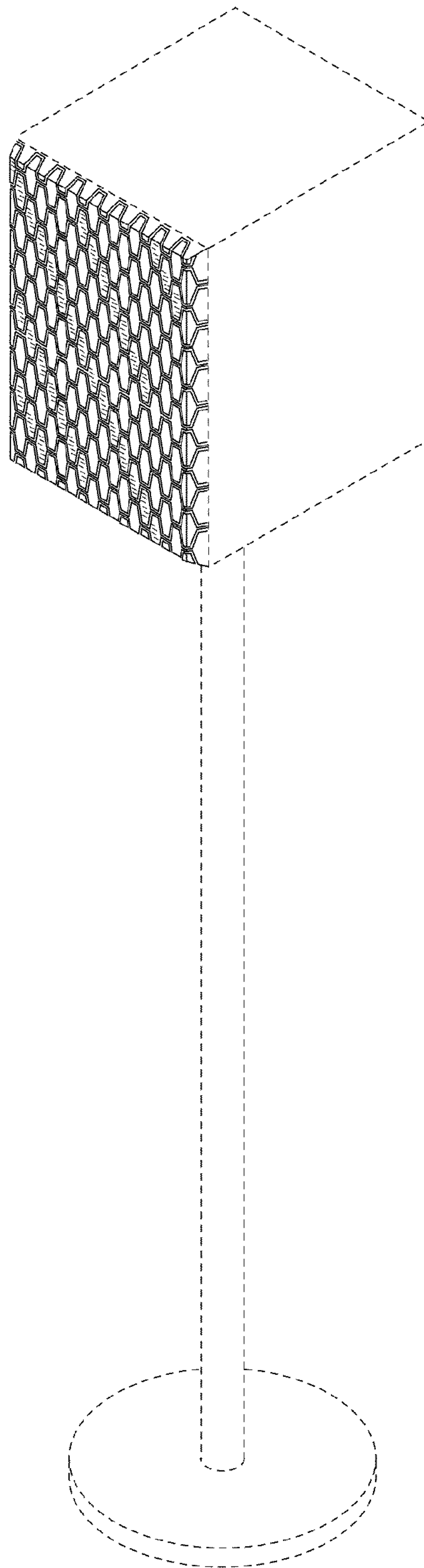


FIG. 6