



US00D710828S

(12) **United States Design Patent**
Liu et al.

(10) **Patent No.:** **US D710,828 S**
(45) **Date of Patent:** **** Aug. 12, 2014**

(54) **REMOTE FOR HEADPHONES**
(71) Applicant: **Otter Products, LLC**, Fort Collins, CO (US)
(72) Inventors: **Feng Song Liu**, San Diego, CA (US);
Michael H. Kim, Murrieta, CA (US)
(73) Assignee: **Otter Products, LLC**, Fort Collins, CO (US)
(**) Term: **14 Years**

D480,370 S *	10/2003	Kosumsuppamala et al.	D13/168
D481,364 S *	10/2003	Kosumsuppamala et al.	D13/168
D520,464 S *	5/2006	Strong et al.	D13/171
D530,680 S *	10/2006	Fox et al.	D13/168
D538,789 S *	3/2007	Naruki et al.	D14/218
D558,740 S *	1/2008	Jaakkola et al.	D14/223
D614,167 S *	4/2010	Brickstad	D14/205
D614,168 S *	4/2010	Rogers et al.	D14/206
D622,710 S *	8/2010	Goransson	D14/240
D624,902 S *	10/2010	Kolton	D14/205
D625,294 S *	10/2010	Wada	D14/218
D633,447 S *	3/2011	Schaal et al.	D13/168

(21) Appl. No.: **29/476,678**
(22) Filed: **Dec. 16, 2013**
(51) **LOC (10) Cl.** **14-03**
(52) **U.S. Cl.**
USPC **D14/218**
(58) **Field of Classification Search**
USPC D14/218, 455; D13/168; D21/566;
D10/104, 106; 345/169; 348/14.05,
348/114, 211.99, 734; 340/825.24; 341/22;
455/92, 95, 128, 151.1-151.4, 352,
455/355, FOR. 121; 700/65
See application file for complete search history.

* cited by examiner

Primary Examiner — John Windmuller

(56) **References Cited**

U.S. PATENT DOCUMENTS

D326,655 S *	6/1992	Iribe	D14/192
D334,043 S *	3/1993	Taniguchi et al.	D14/218
D451,483 S *	12/2001	Montagnino et al.	D13/168
D456,366 S *	4/2002	Montagnino et al.	D13/168
D462,945 S *	9/2002	Skulley	D14/218

(57) **CLAIM**

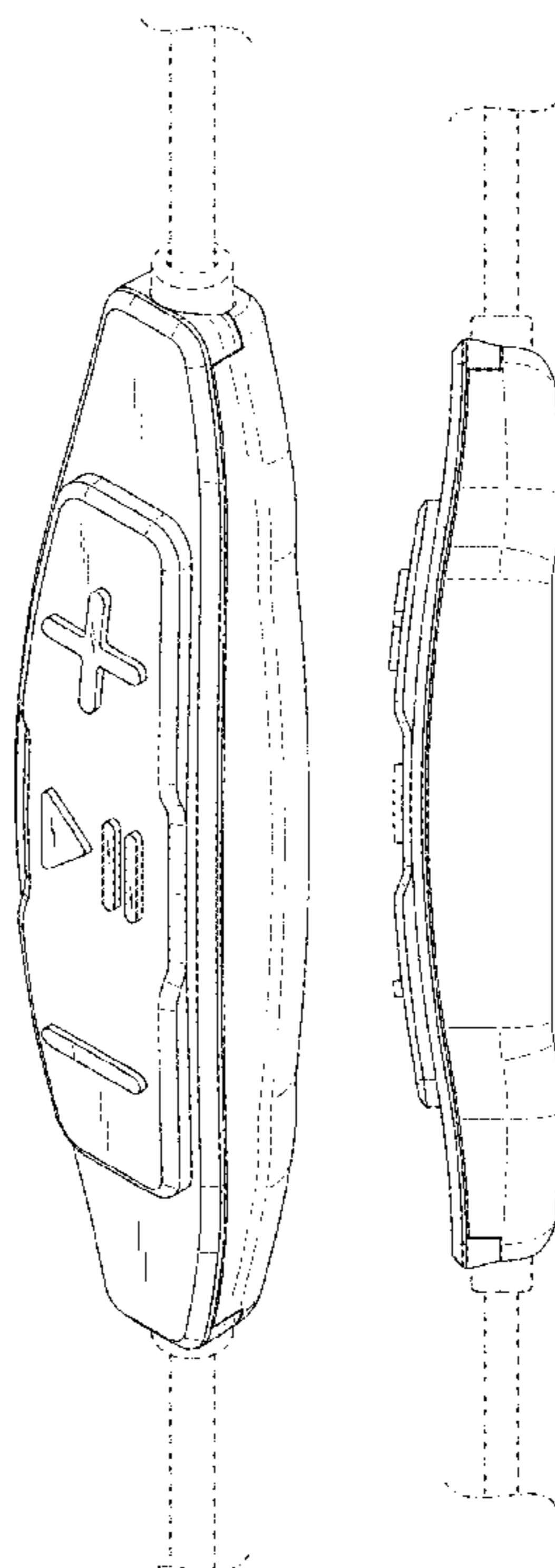
The ornamental design for a remote for headphones, as shown and described.

DESCRIPTION

FIG. 1 is a front isometric view of a remote for headphones showing our new design;
FIG. 2 is a rear isometric view thereof;
FIG. 3 is a front view thereof;
FIG. 4 is a rear view thereof;
FIG. 5 is a left view thereof;
FIG. 6 is a right view thereof;
FIG. 7 is a top view thereof; and,
FIG. 8 is a bottom view thereof.

The broken lines in the figures depict portions of the remote for headphones that form no part of the claimed design.

1 Claim, 6 Drawing Sheets



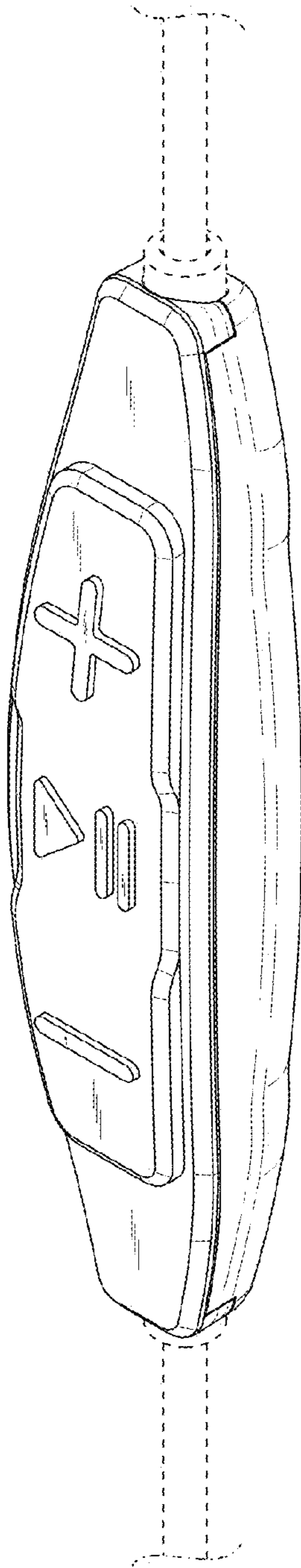


FIG. 1

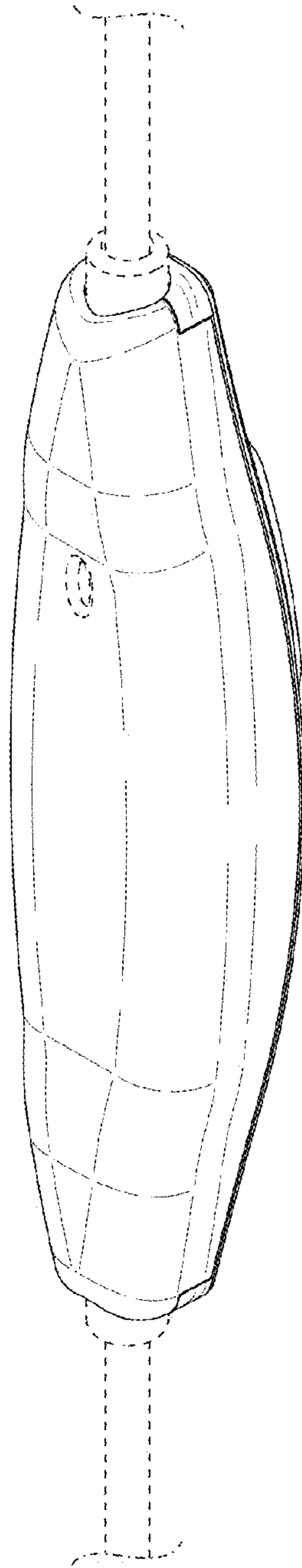


FIG. 2

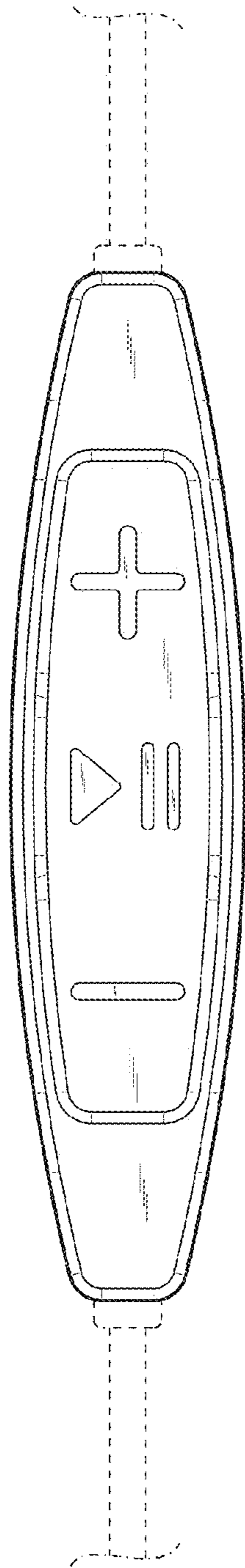


FIG. 3

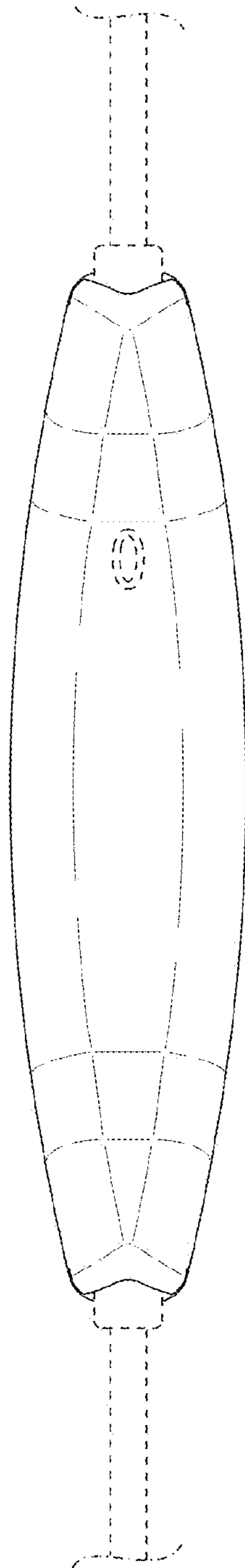


FIG. 4

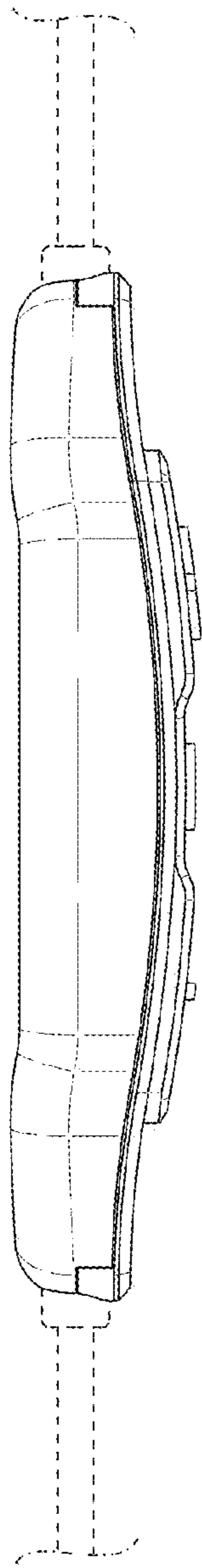


FIG. 5

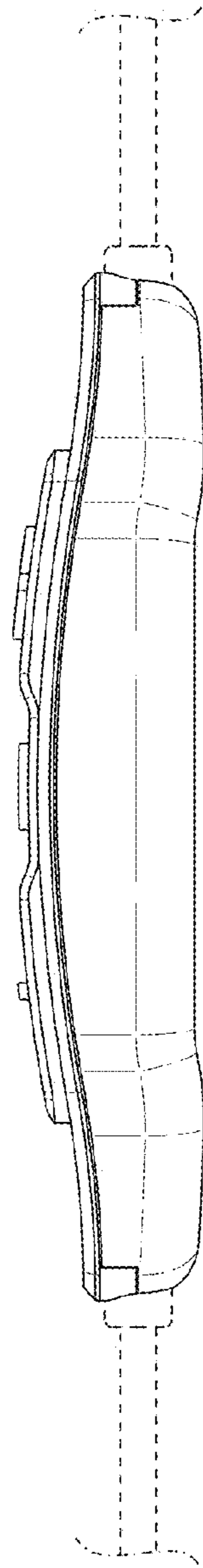


FIG. 6

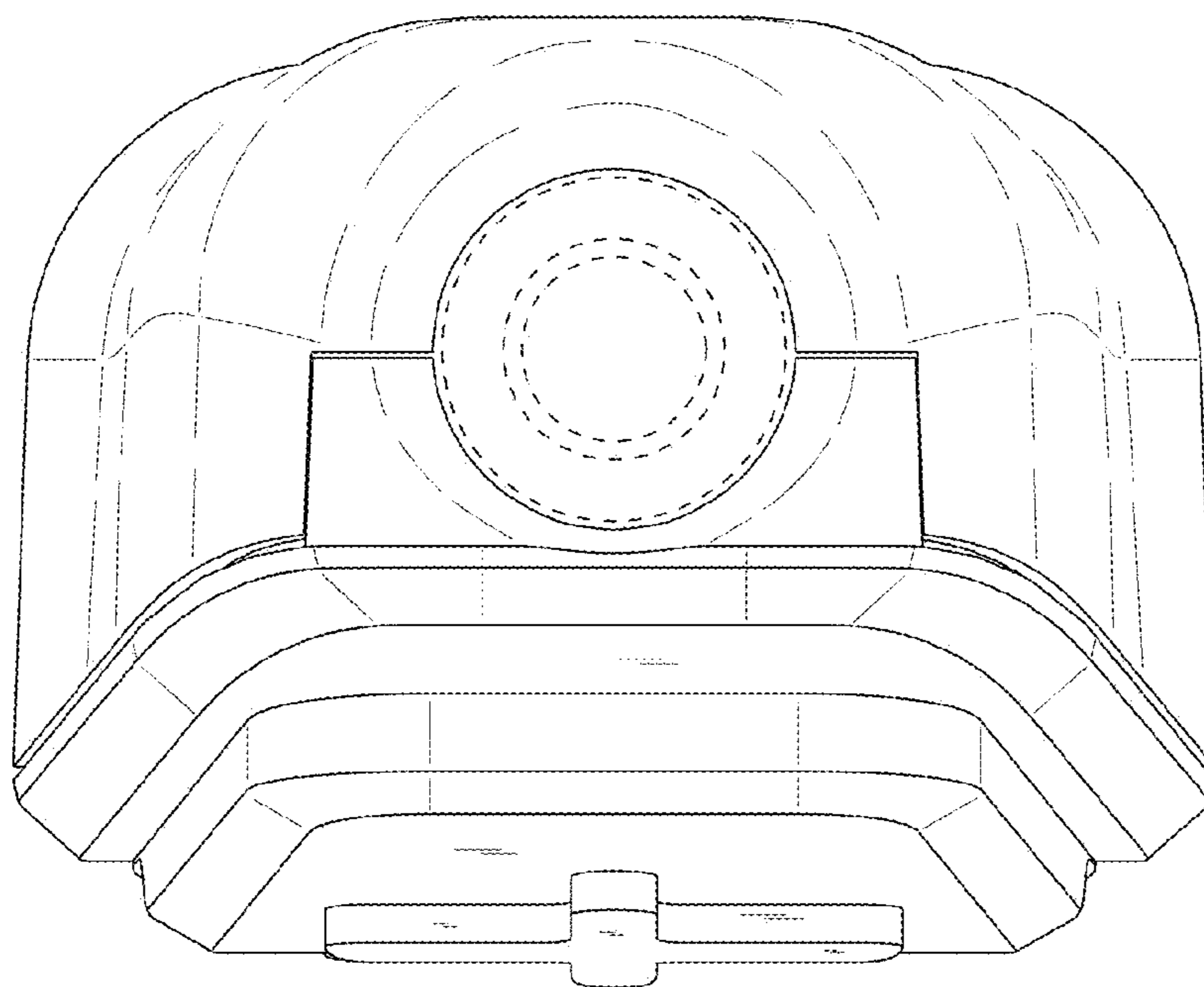


FIG. 7

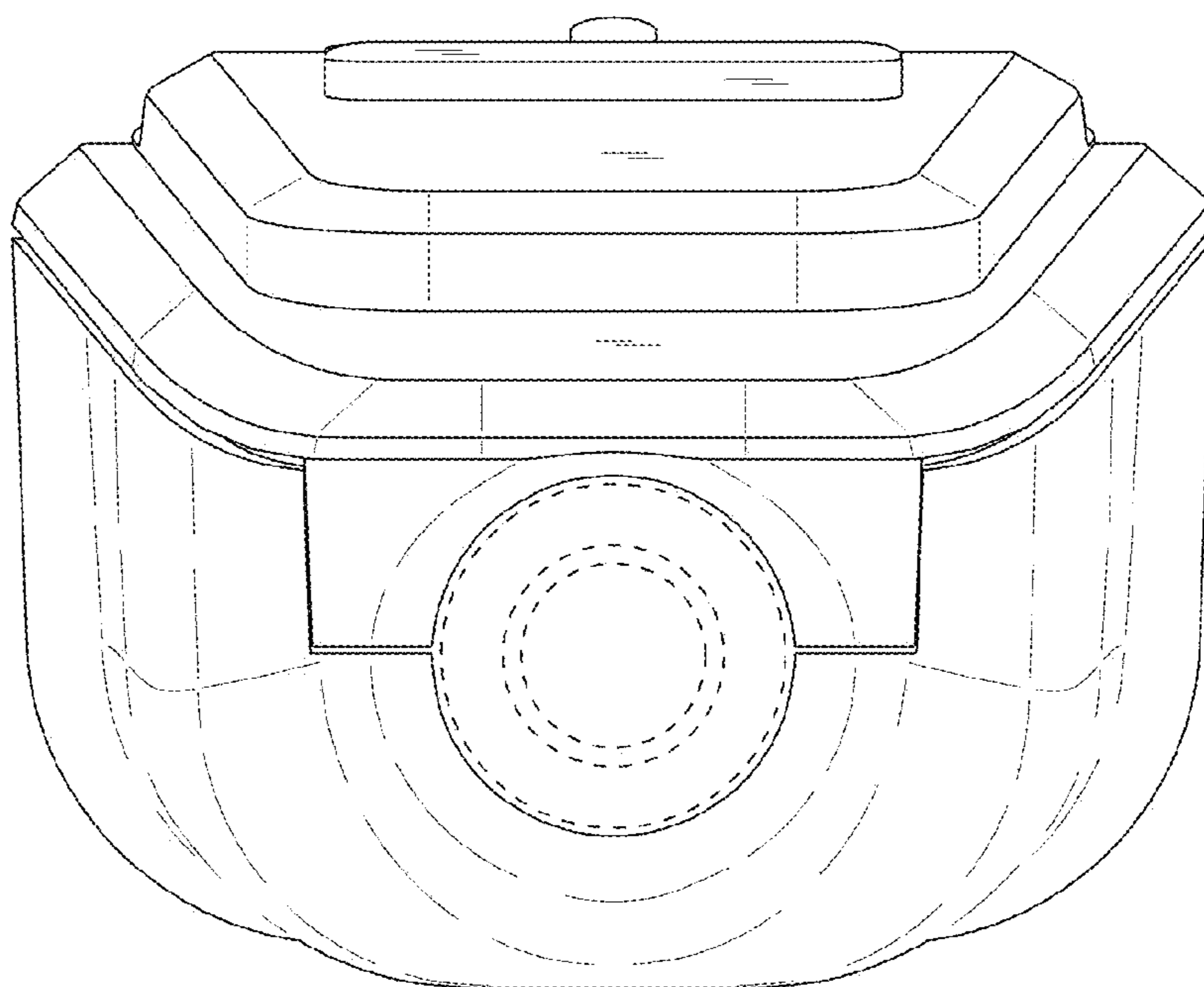


FIG. 8