



US00D710827S

(12) **United States Design Patent**
Lum et al.

(10) **Patent No.:** **US D710,827 S**

(45) **Date of Patent:** **** Aug. 12, 2014**

- (54) **LOUDSPEAKER GRILLE**
- (71) Applicant: **Harman International Industries, Incorporated**, Northridge, CA (US)
- (72) Inventors: **Myk Wayne Lum**, Irvine, CA (US);
Derrick Rodgers, Altadena, CA (US)
- (73) Assignee: **Harman International Industries, Incorporated**, Northridge, CA (US)

3,989,909 A *	11/1976	Hodsdon et al.	381/391
D243,253 S *	2/1977	Ballantyne	D14/219
D248,856 S *	8/1978	Saidel	D14/219
D250,021 S *	10/1978	Barbera	D14/219
D254,786 S *	4/1980	Ballantyne	D14/219
5,322,979 A *	6/1994	Cassity et al.	181/150
5,400,413 A *	3/1995	Kindel	381/189
D392,977 S *	3/1998	Kim	D14/214
D605,181 S *	12/2009	Koren et al.	D14/219

* cited by examiner

Primary Examiner — Prabhakar Deshmukh

(74) *Attorney, Agent, or Firm* — Plumsea Law Group, LLC

(**) Term: **14 Years**

(21) Appl. No.: **29/467,384**

(22) Filed: **Sep. 18, 2013**

Related U.S. Application Data

(63) Continuation-in-part of application No. 29/415,837, filed on Mar. 14, 2012, now Pat. No. Des. 693,334.

(51) **LOC (10) Cl.** **14-01**

(52) **U.S. Cl.**
USPC **D14/218**

(58) **Field of Classification Search**
USPC D14/204, 209–216, 219, 220; 181/143, 181/144, 147, 148, 150, 151, 198, 199, 181/153; 381/330–302, 306, 333, 345, 381/361–364, 386–388, 332, 336
See application file for complete search history.

(56) **References Cited**

U.S. PATENT DOCUMENTS

D202,900 S *	11/1965	Shaper	D14/219
3,938,618 A *	2/1976	Ambruoso, Sr.	181/155

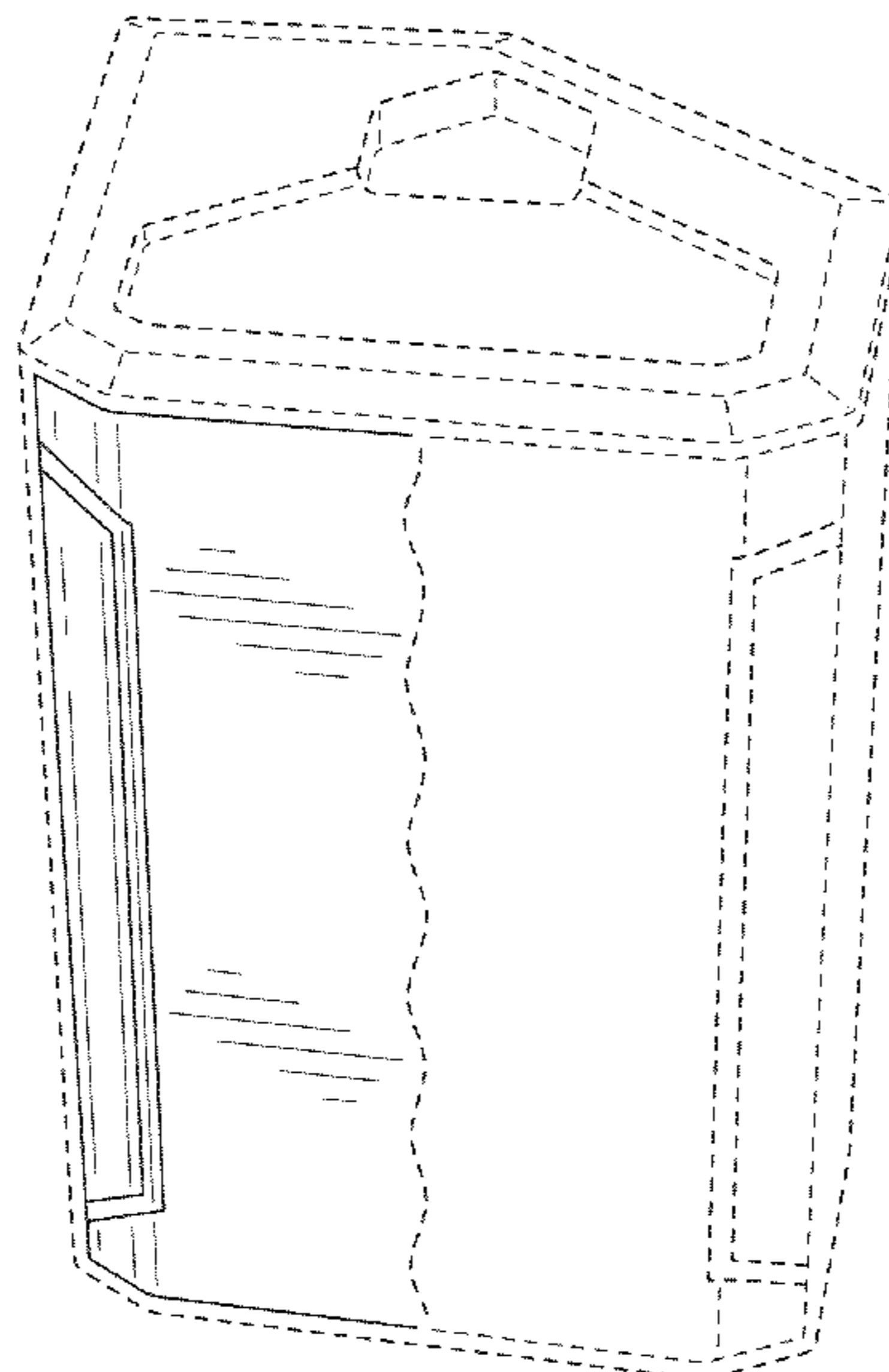
(57) **CLAIM**

The ornamental design for a loudspeaker grille, as shown and described.

DESCRIPTION

FIG. 1 is a perspective view of a loudspeaker grille showing our new design;
FIG. 2 is a front elevational view thereof;
FIG. 3 is a top plan view thereof;
FIG. 4 is a side elevational view of the left side thereof;
FIG. 5 is a perspective view of a second embodiment of a loudspeaker grille showing our new design;
FIG. 6 is a front elevational view thereof;
FIG. 7 is a top plan view thereof; and,
FIG. 8 is a side elevational view of the right side thereof.
The broken lines indicate unclaimed portions and form no part of the claimed design.

1 Claim, 6 Drawing Sheets



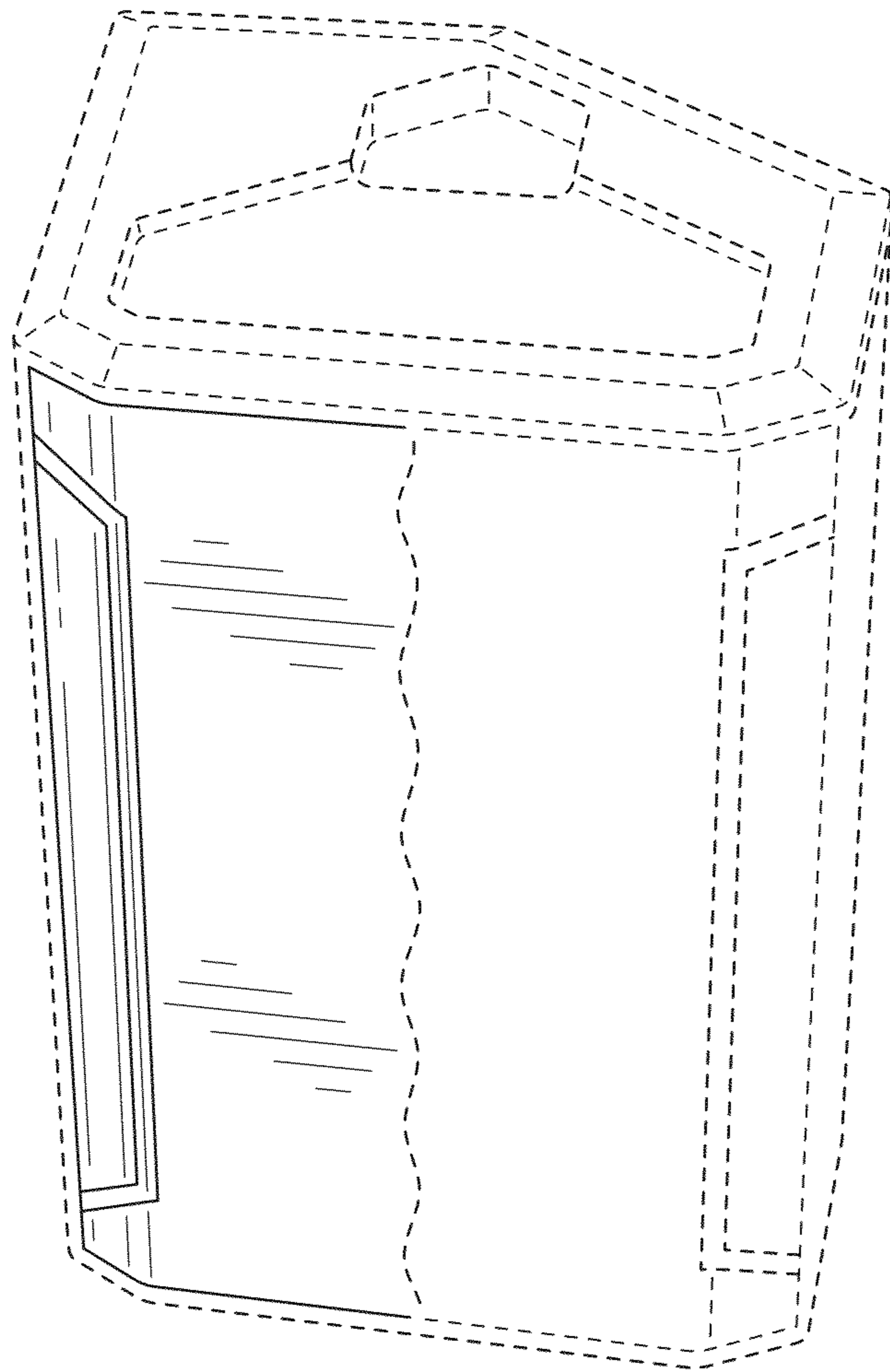


FIG. 1

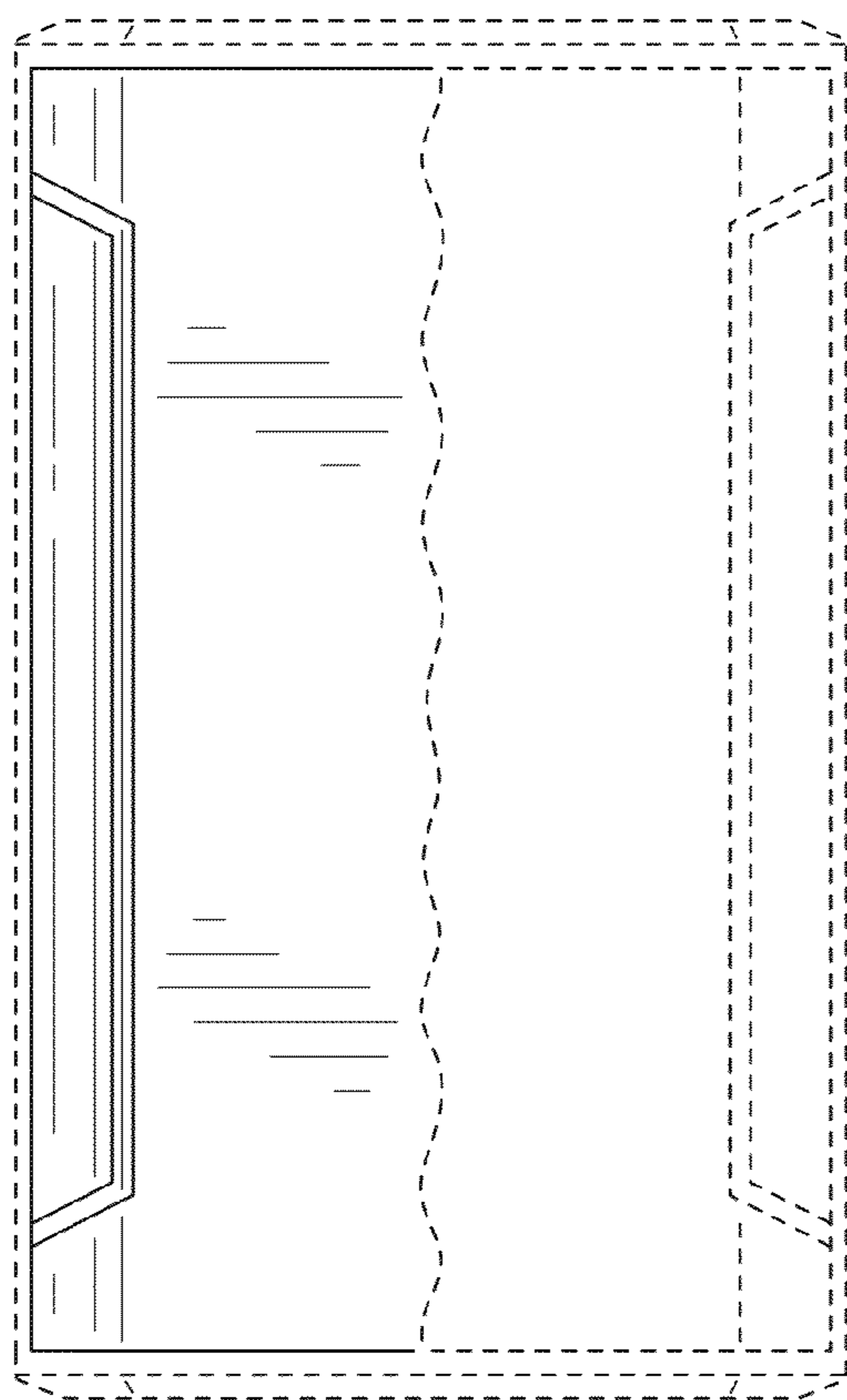


FIG. 2

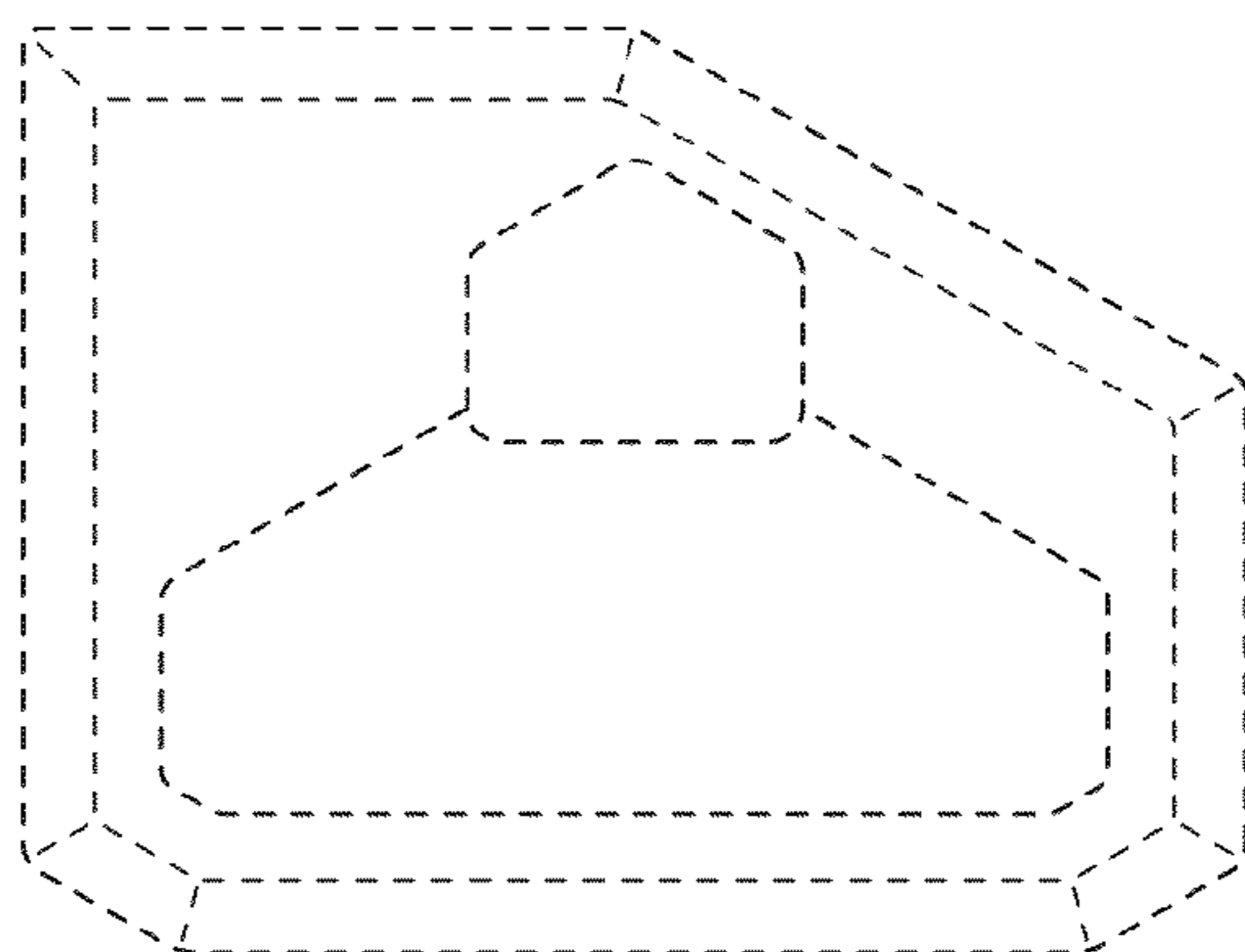


FIG. 3

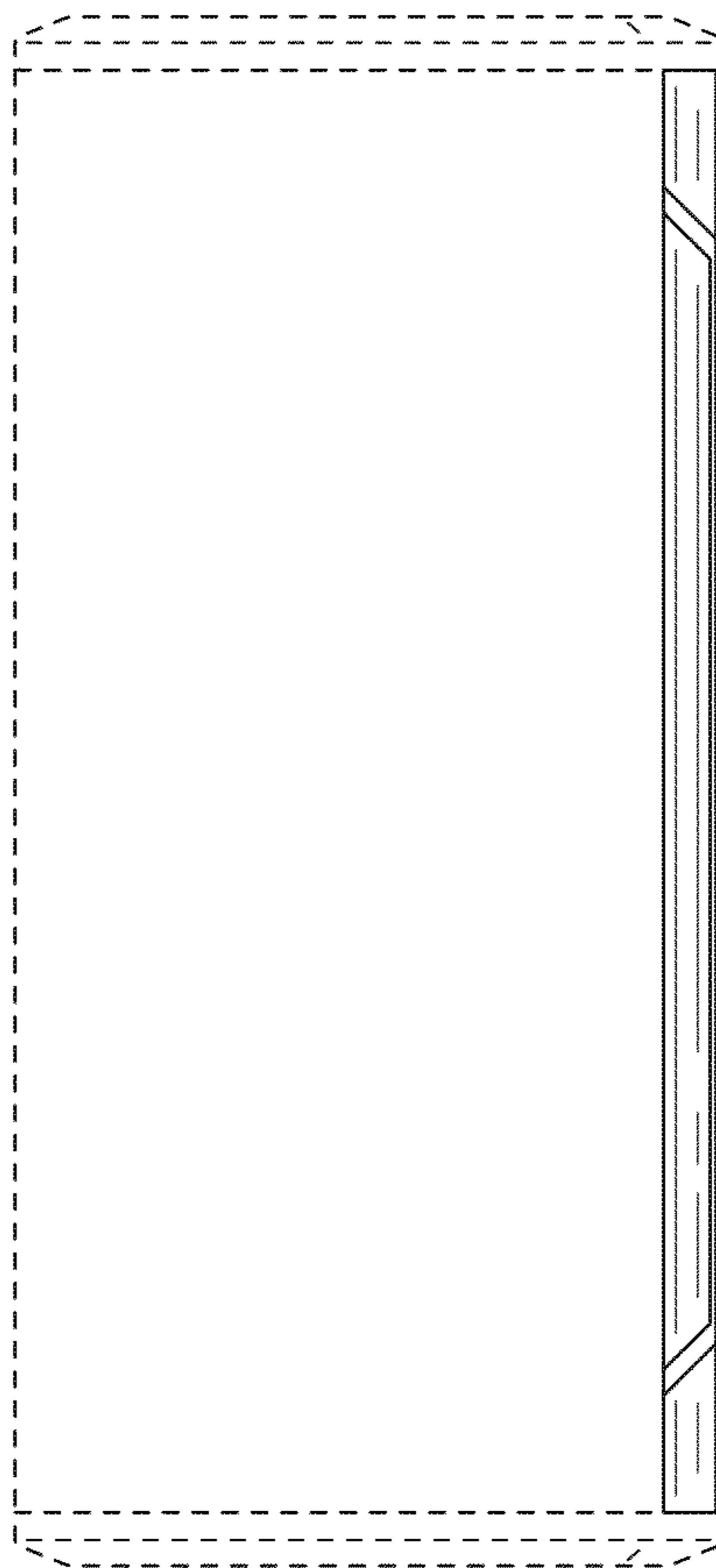


FIG. 4

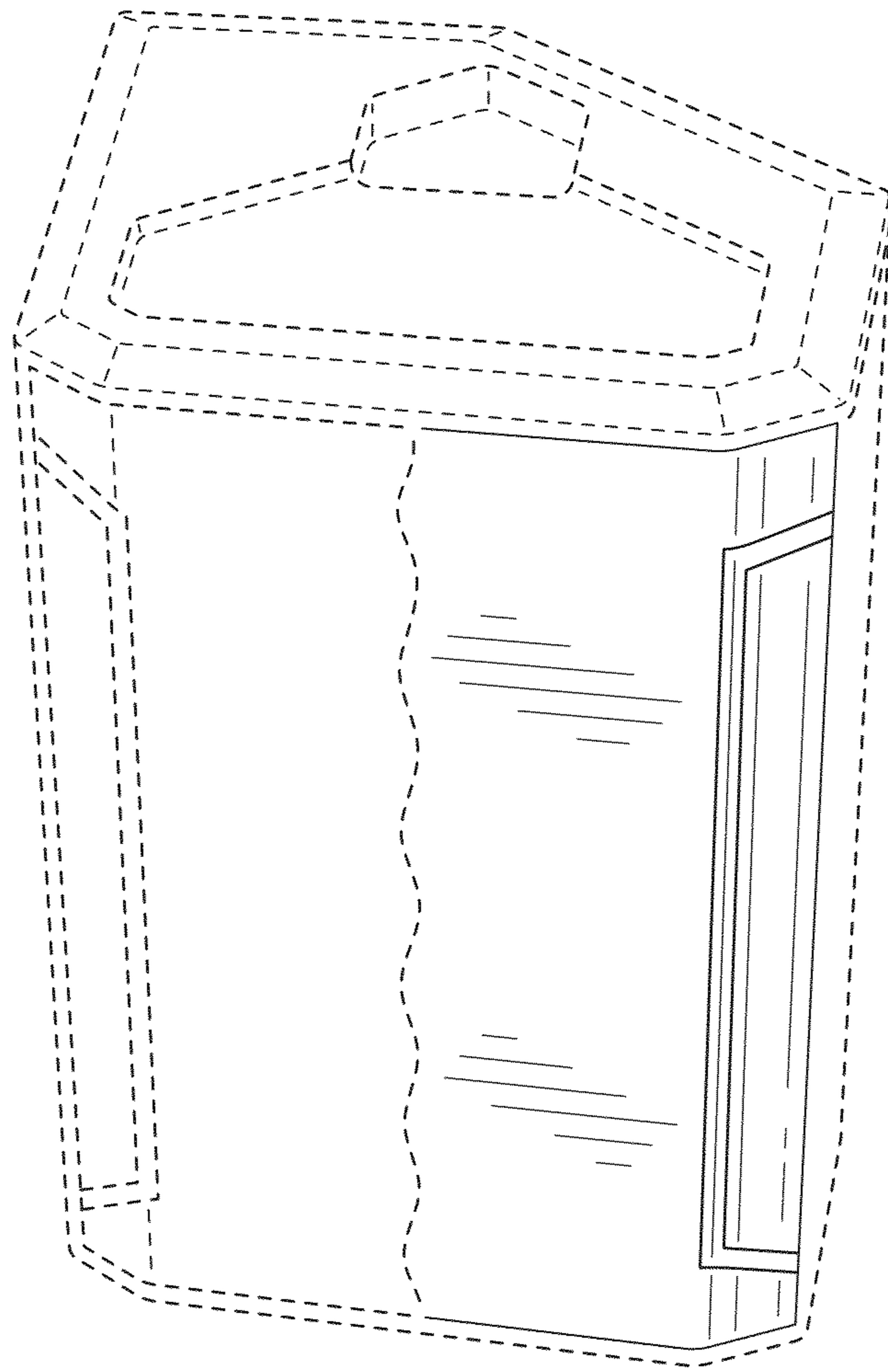


FIG. 5

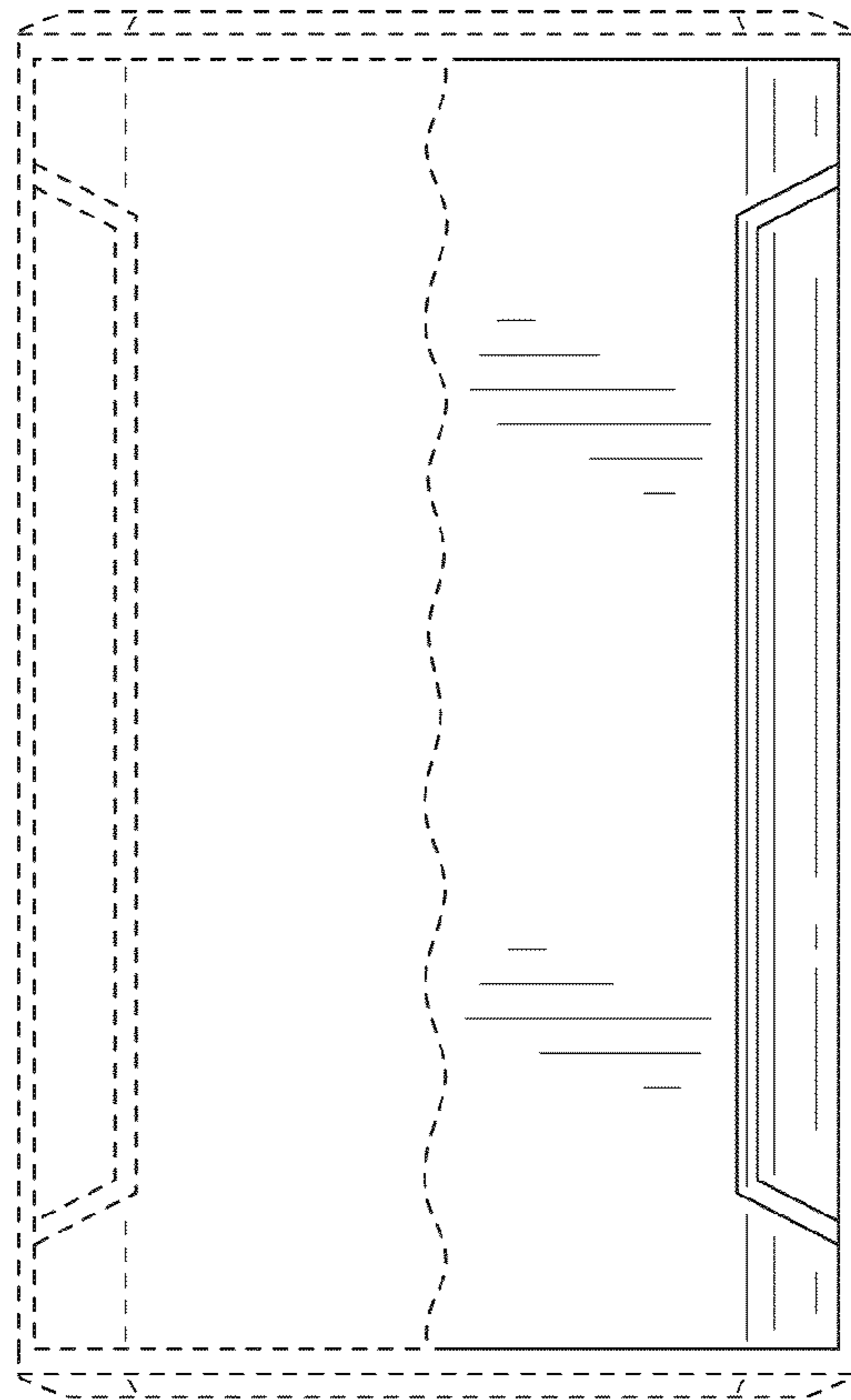


FIG. 6

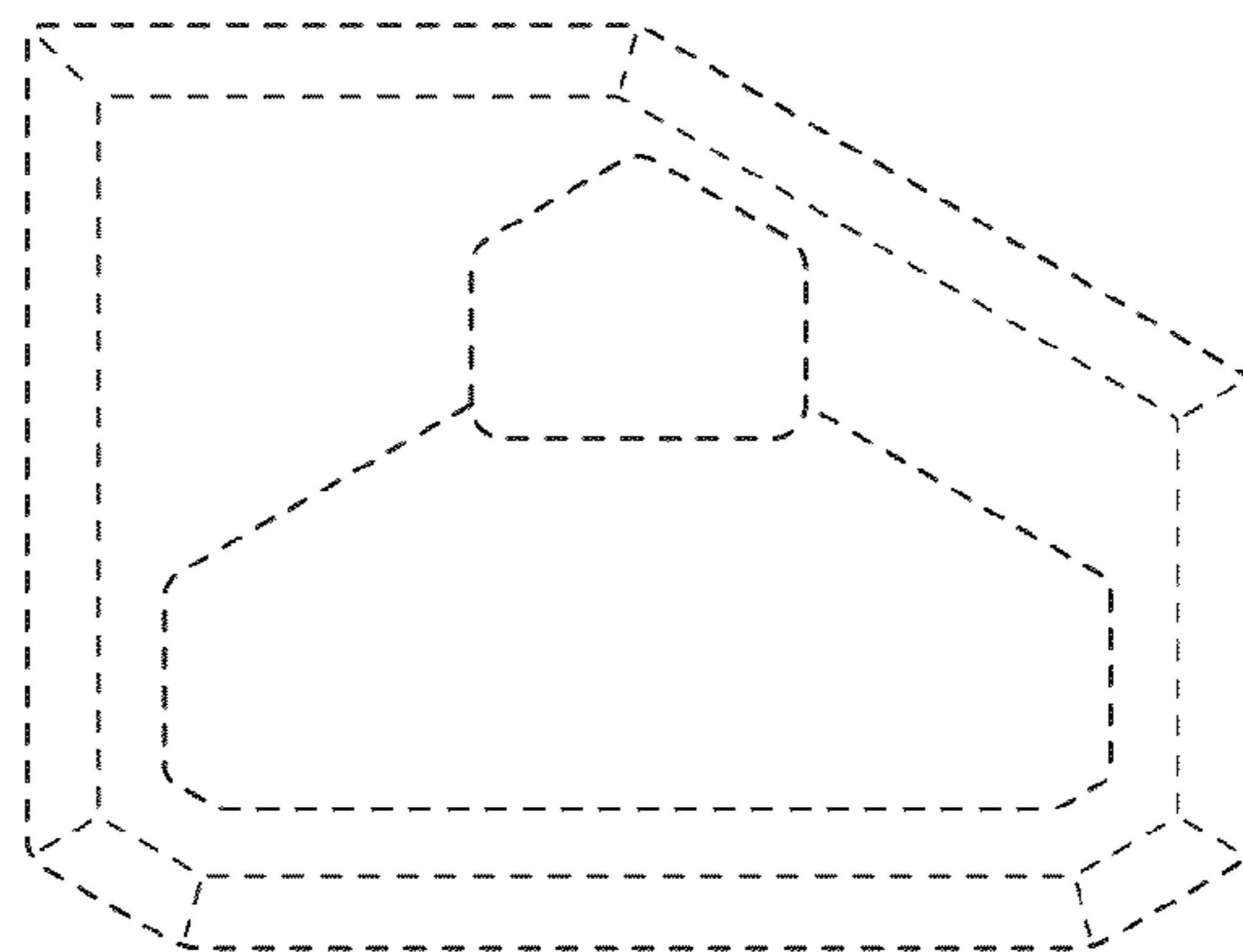


FIG. 7

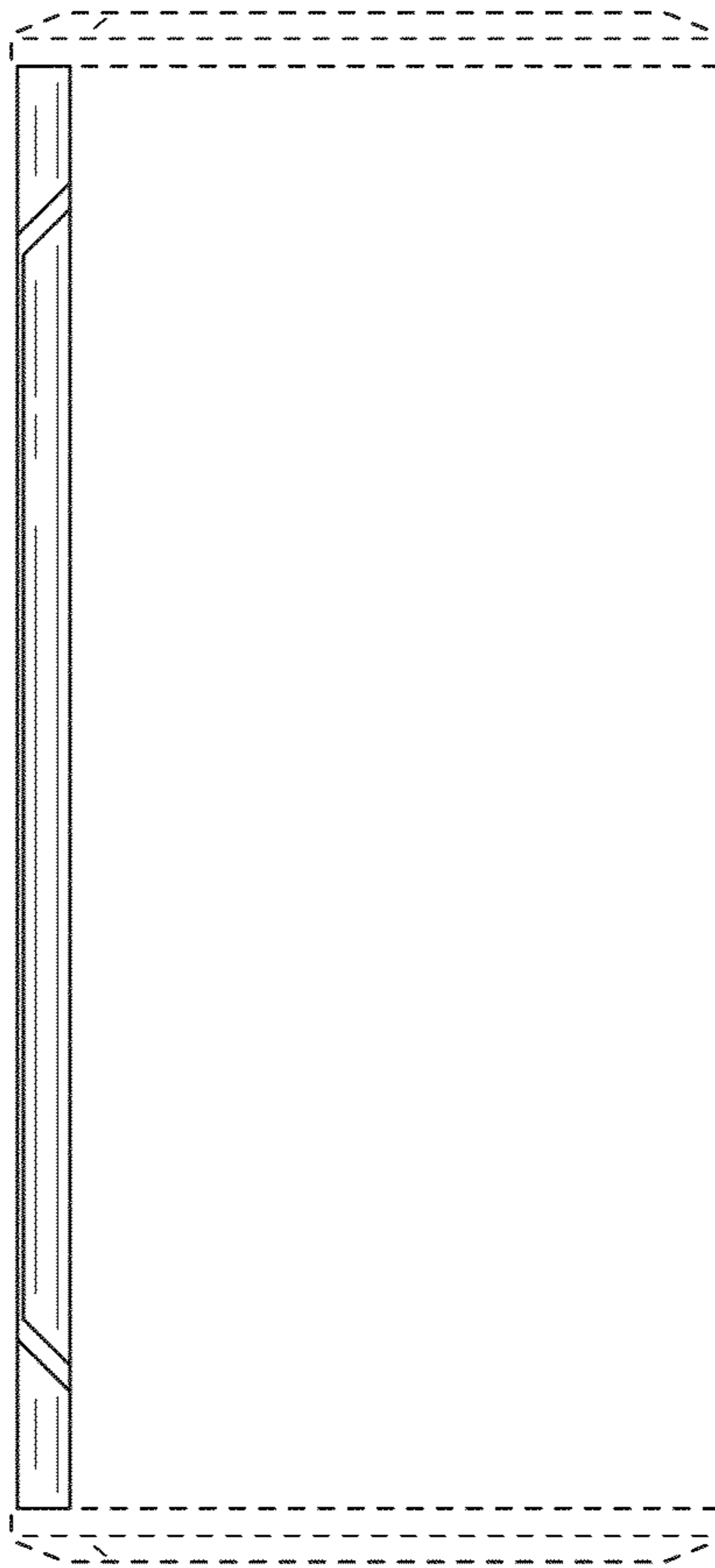


FIG. 8