



US00D710826S

(12) **United States Design Patent**  
**Holzer**

(10) **Patent No.:** **US D710,826 S**

(45) **Date of Patent:** **\*\* Aug. 12, 2014**

(54) **BLUETOOTH RECHARGEABLE MINI SPEAKER**

(71) Applicant: **Eric Holzer**, Piscataway, NJ (US)

(72) Inventor: **Eric Holzer**, Piscataway, NJ (US)

(73) Assignee: **SDI Technologies, Inc.**, Rahway, NJ (US)

(\*\*) Term: **14 Years**

(21) Appl. No.: **29/477,740**

(22) Filed: **Dec. 26, 2013**

(51) **LOC (10) Cl.** ..... **14-03**

(52) **U.S. Cl.**  
USPC ..... **D14/216**

(58) **Field of Classification Search**  
CPC .... B60R 11/0217; G11B 31/003; H04R 1/02;  
H04R 1/021; H04R 1/026; H04R 1/2803;  
H04R 2203/00; H04R 2400/00; H04R 2420/07  
USPC ..... D14/167, 168, 170–172, 188, 189,  
D14/194–196, 204, 207, 209.1, 210–216,  
D14/221, 222; 181/143, 144, 147, 148, 150,  
181/153, 157, 198, 199; 381/300–303, 306,  
381/332, 333, 336, 345, 361–364,  
381/386–388; 369/6–12; D13/107, 108  
See application file for complete search history.

(56) **References Cited**

**U.S. PATENT DOCUMENTS**

D607,876 S *	1/2010	Huang	.....	D14/216
D610,572 S *	2/2010	Skurdal	.....	D14/216
D610,573 S *	2/2010	Joseph	.....	D14/216
D620,480 S *	7/2010	Garrett	.....	D14/216
D635,554 S *	4/2011	Lee	.....	D14/216
D656,486 S *	3/2012	Parraga Gimeno	.....	D14/216
D691,587 S *	10/2013	Ferber et al.	.....	D14/216
D694,218 S *	11/2013	Szymanski	.....	D14/216

D695,713 S *	12/2013	Szymanski	.....	D14/216
D695,714 S *	12/2013	Lee	.....	D14/216
D699,218 S *	2/2014	Lee	.....	D14/216
D699,219 S *	2/2014	Lee	.....	D14/216
D699,220 S *	2/2014	Lee	.....	D14/216
D699,222 S *	2/2014	Paslowski	.....	D14/216

\* cited by examiner

*Primary Examiner* — Keli L Hill

(74) *Attorney, Agent, or Firm* — Ostrolenk Faber LLP

(57) **CLAIM**

The ornamental design for a bluetooth rechargeable mini speaker, as shown and described.

**DESCRIPTION**

FIG. 1 is a top, front, perspective view of a bluetooth rechargeable mini speaker showing my new design in an open condition;

FIG. 2 is a front view thereof;

FIG. 3 is a rear view thereof

FIG. 4 is a top view thereof;

FIG. 5 is a bottom view thereof;

FIG. 6 is a left side view thereof;

FIG. 7 is a right side view thereof;

FIG. 8 is a cross-sectional view thereof along line 8-8 in FIG. 2;

FIG. 9 is a cross-sectional view thereof along line 9-9 in FIG. 2;

FIG. 10 is an enlarged detail at 10 in FIG. 8;

FIG. 11 is a top, perspective view thereof showing my new design in a closed condition;

FIG. 12 is a front view thereof;

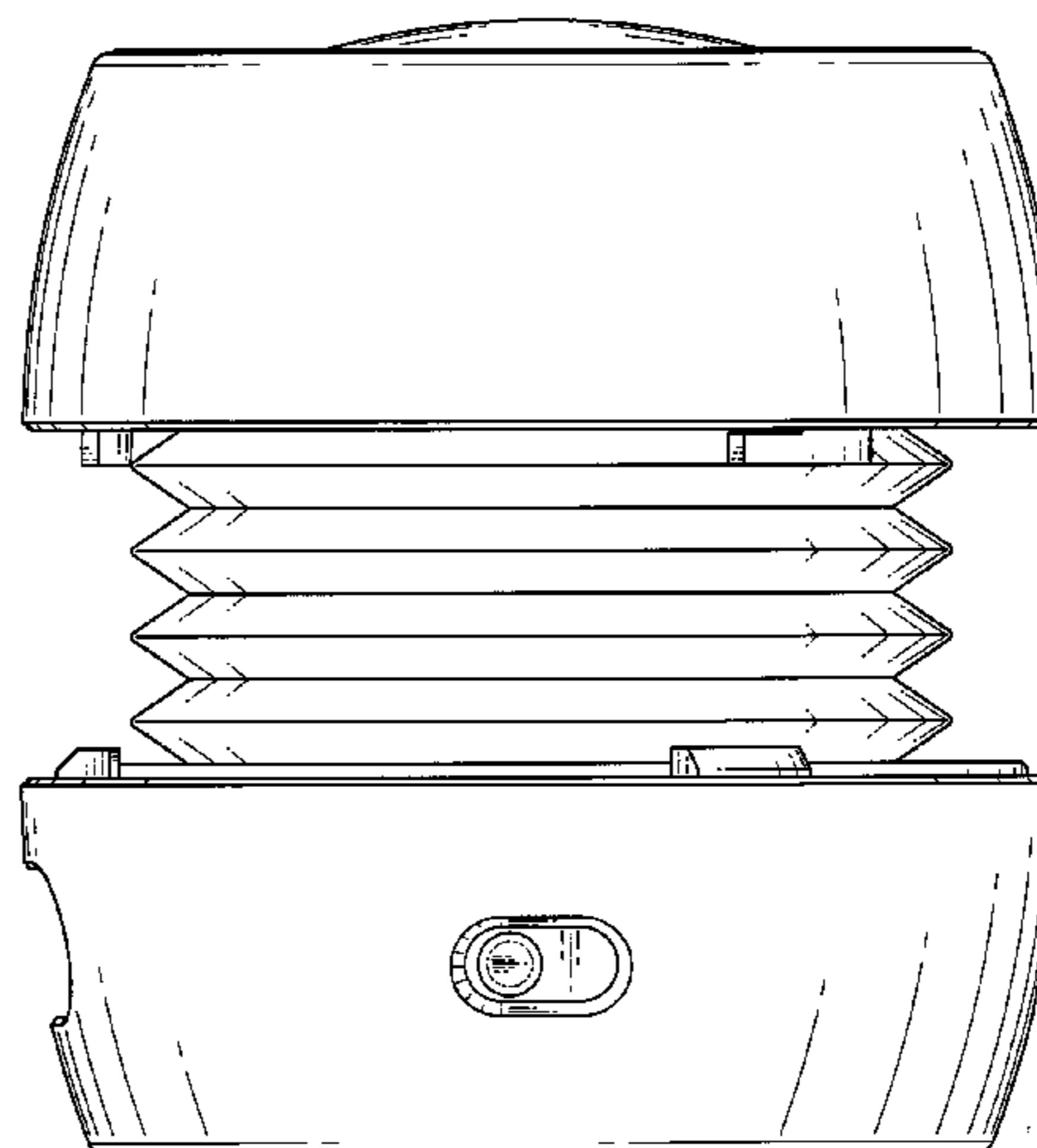
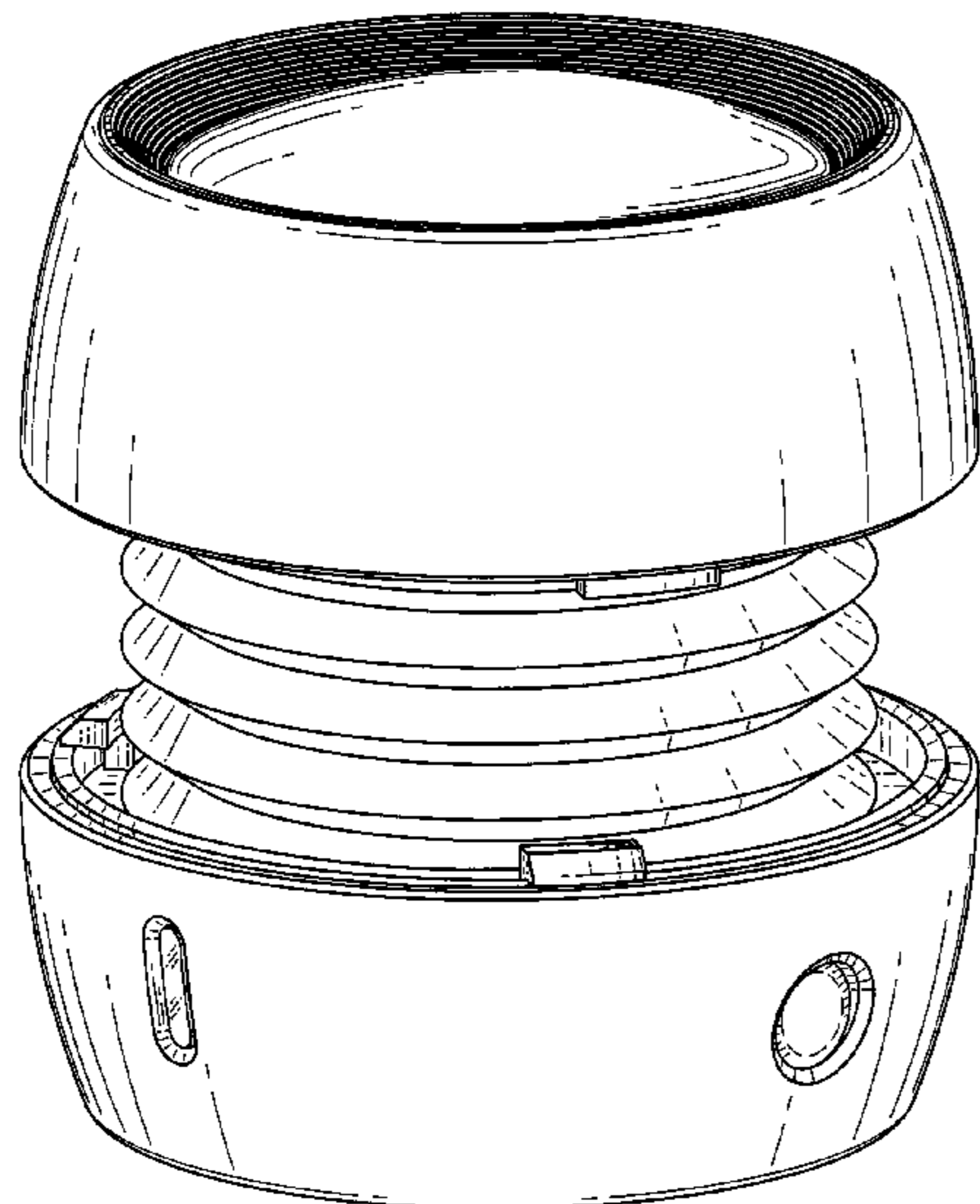
FIG. 13 is a rear view thereof;

FIG. 14 is a left side view thereof; and,

FIG. 15 is a right side view thereof.

The broken lines in the drawings illustrate environmental material that forms no part of the claimed design.

**1 Claim, 15 Drawing Sheets**



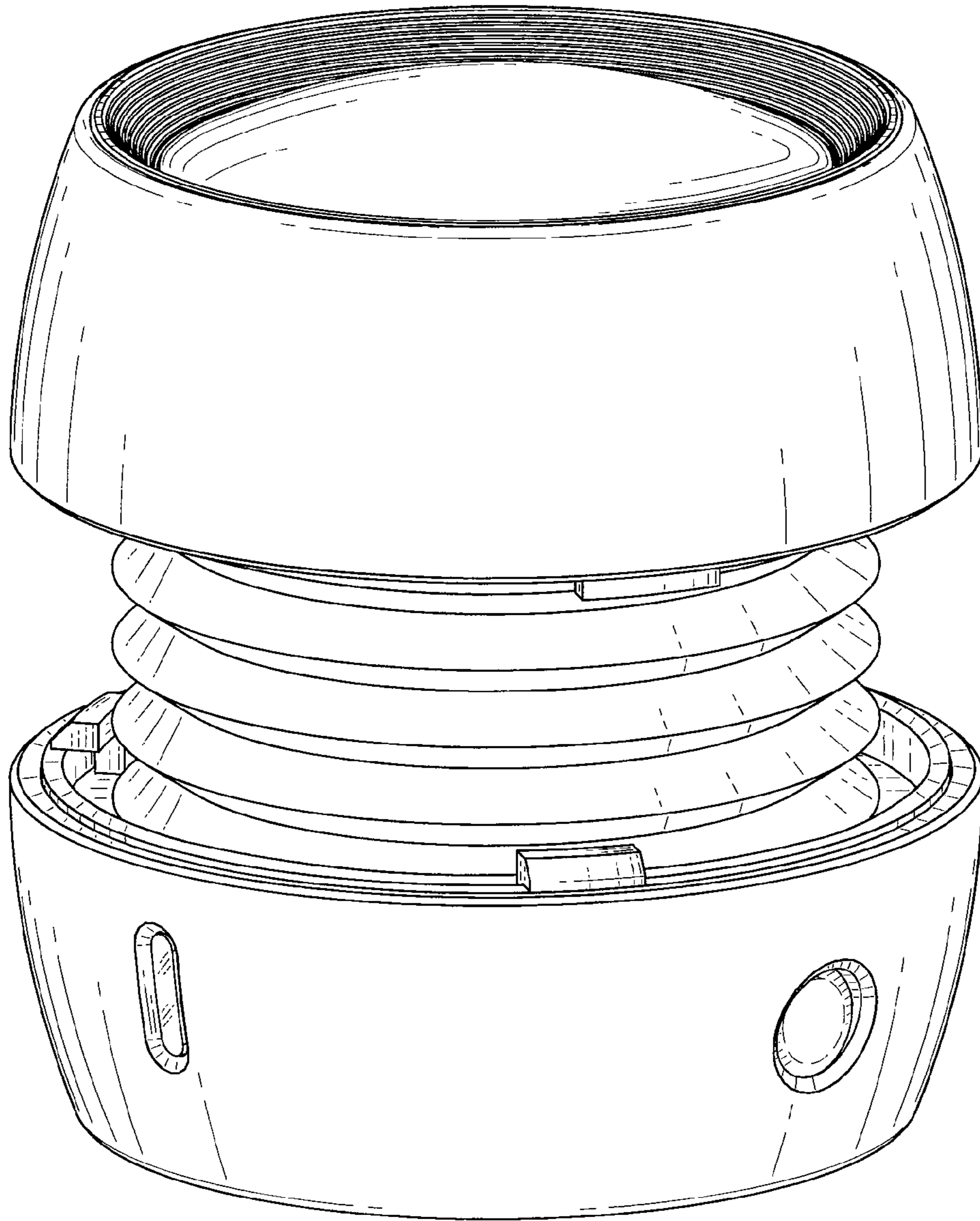


FIG. 1

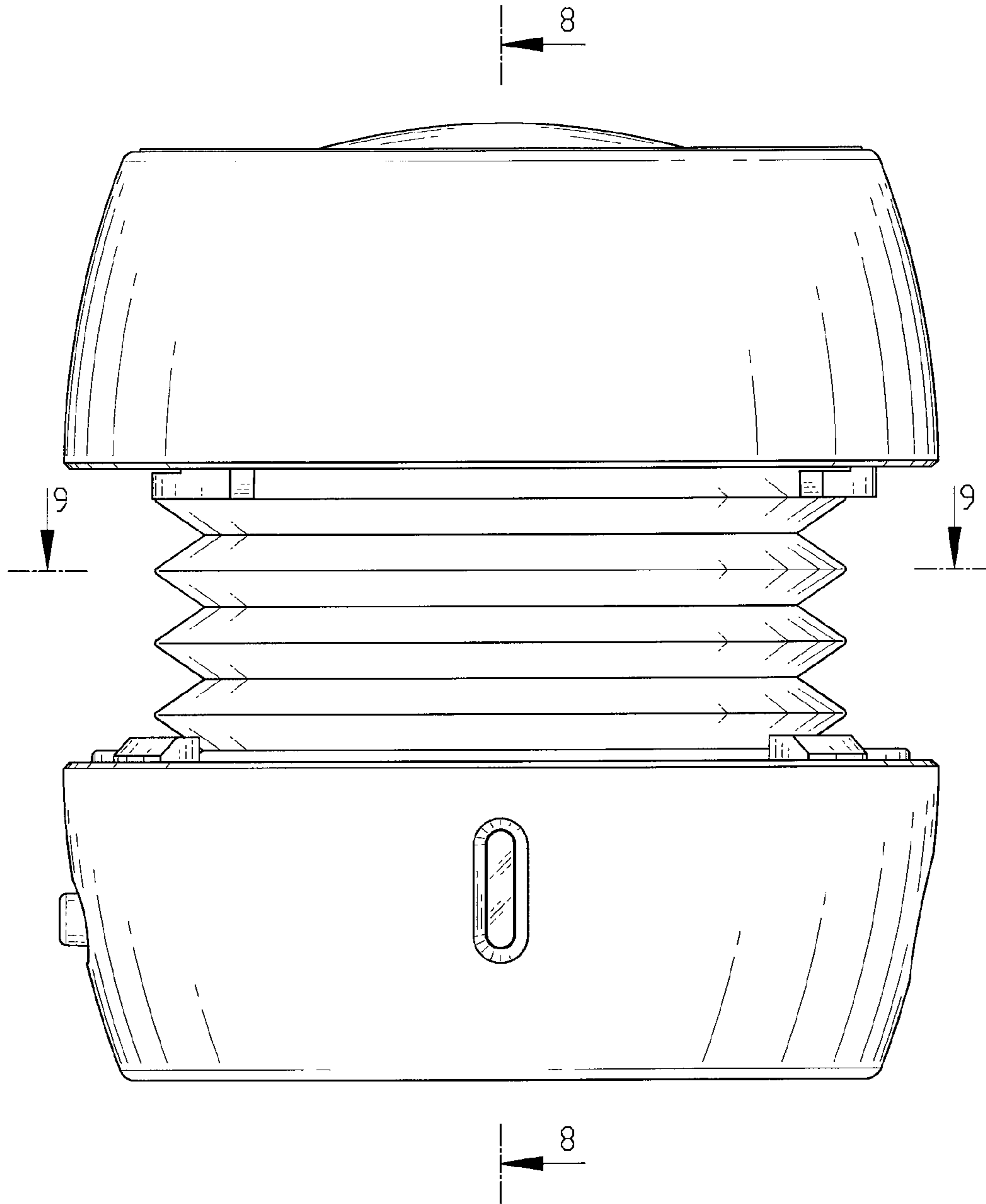


FIG. 2

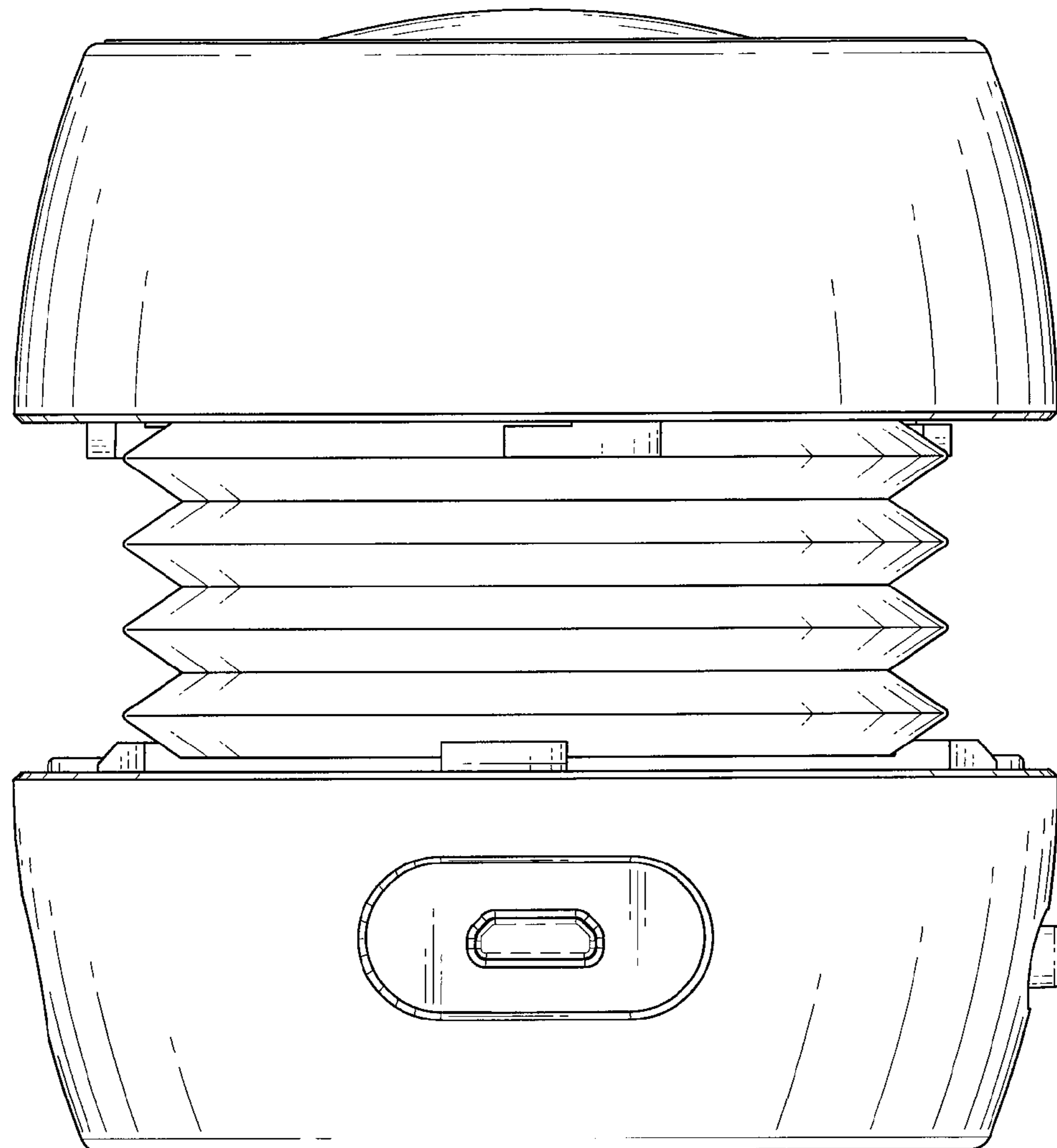
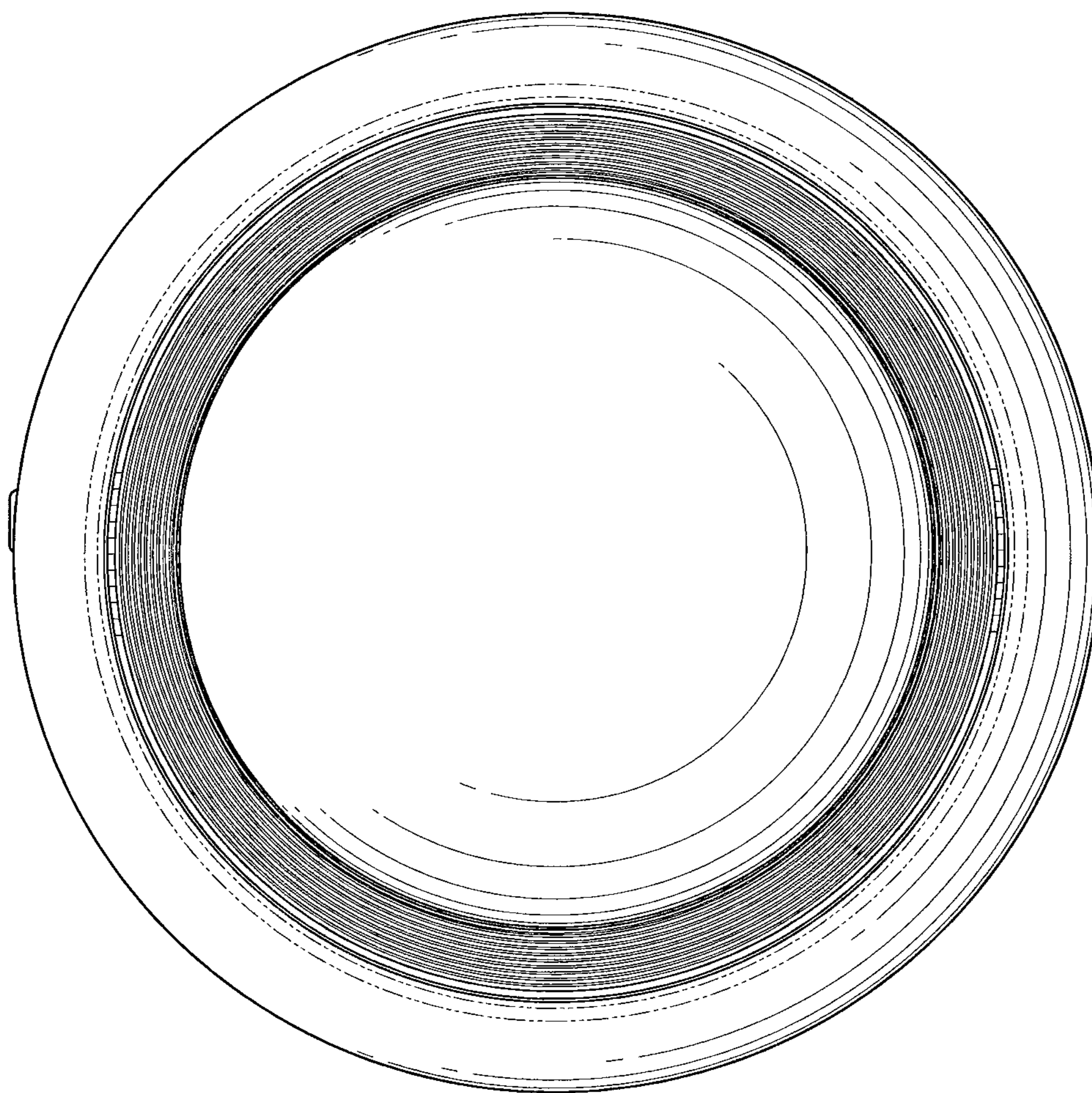


FIG. 3



**FIG. 4**

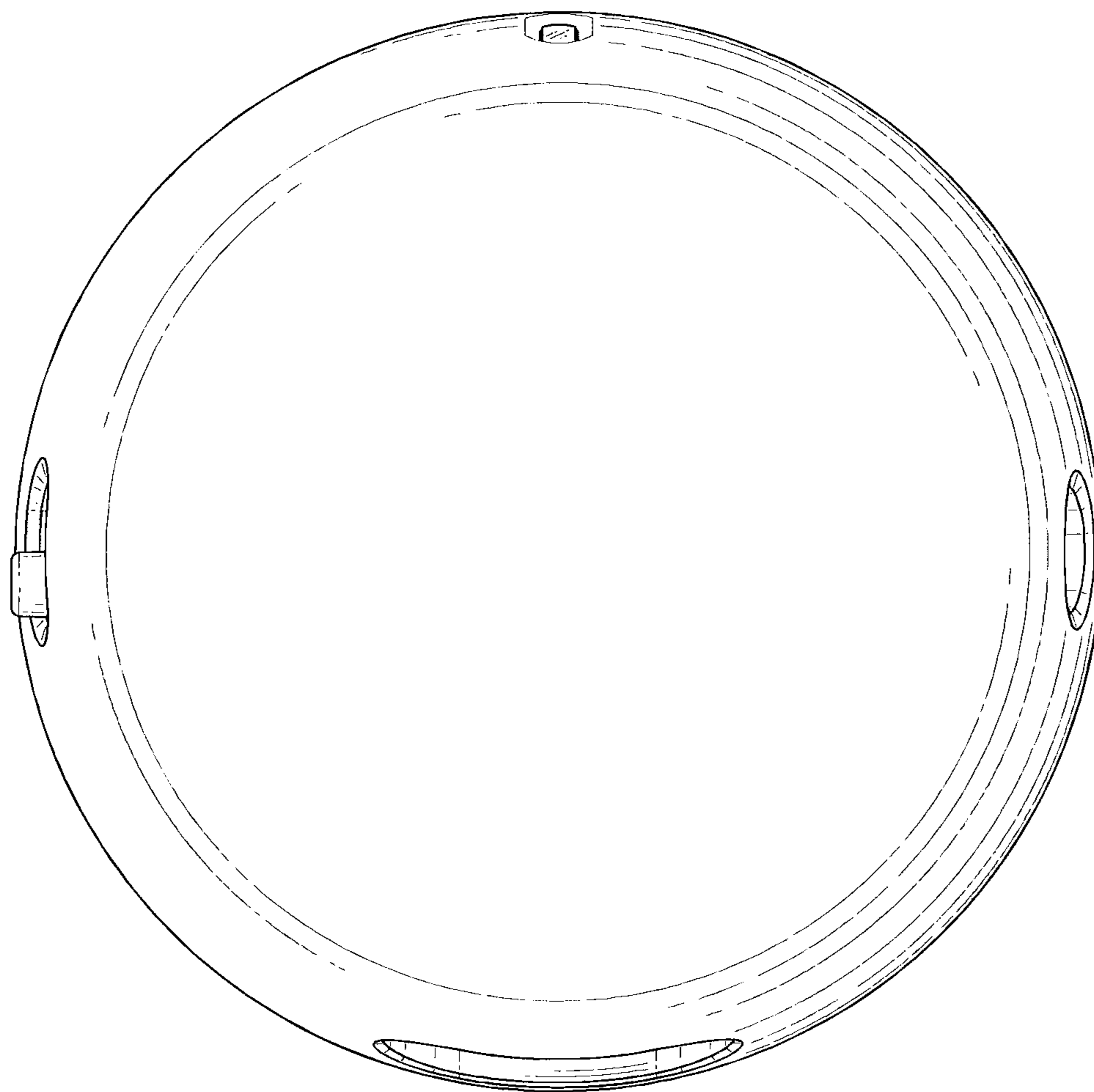


FIG. 5

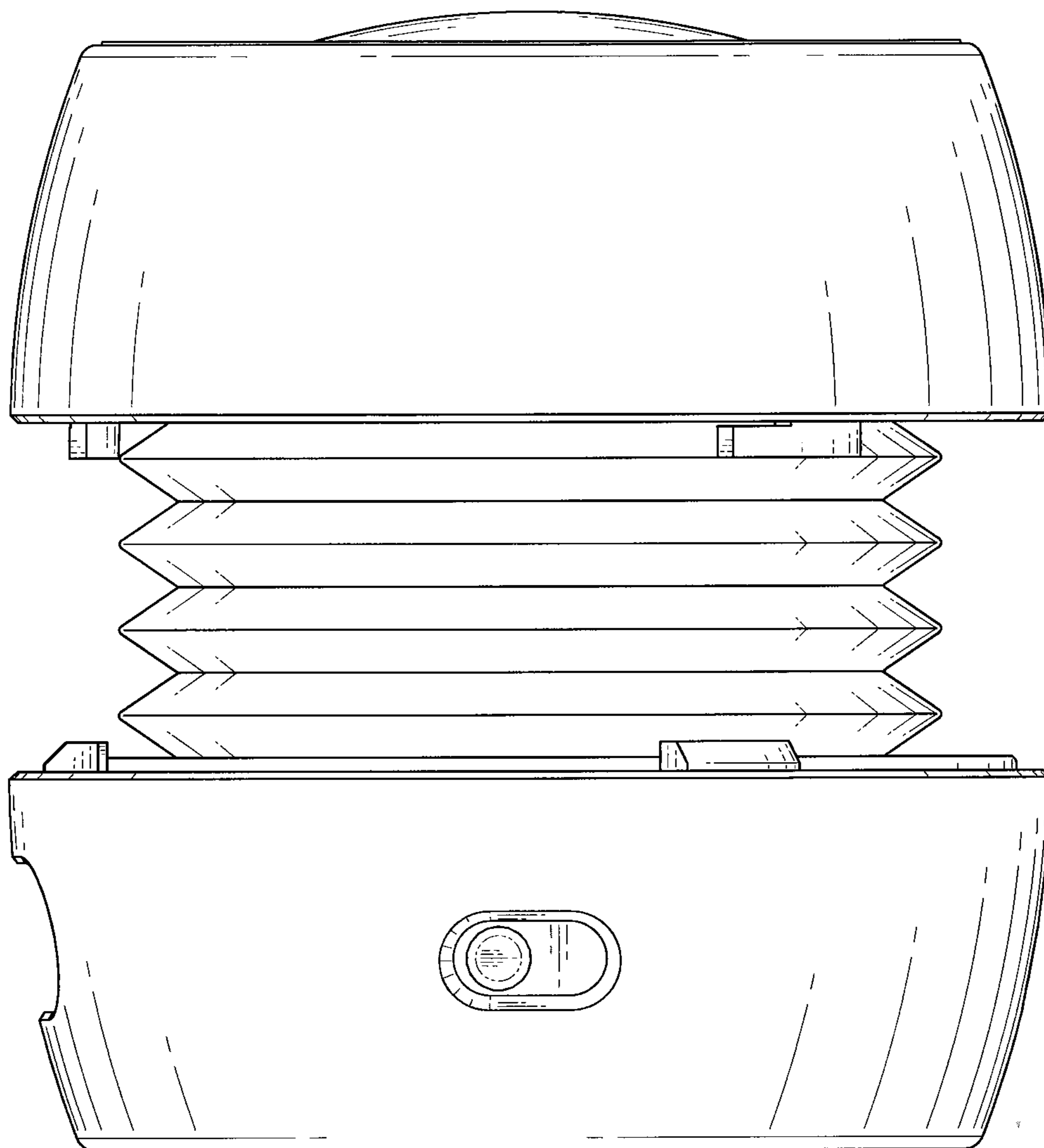


FIG. 6

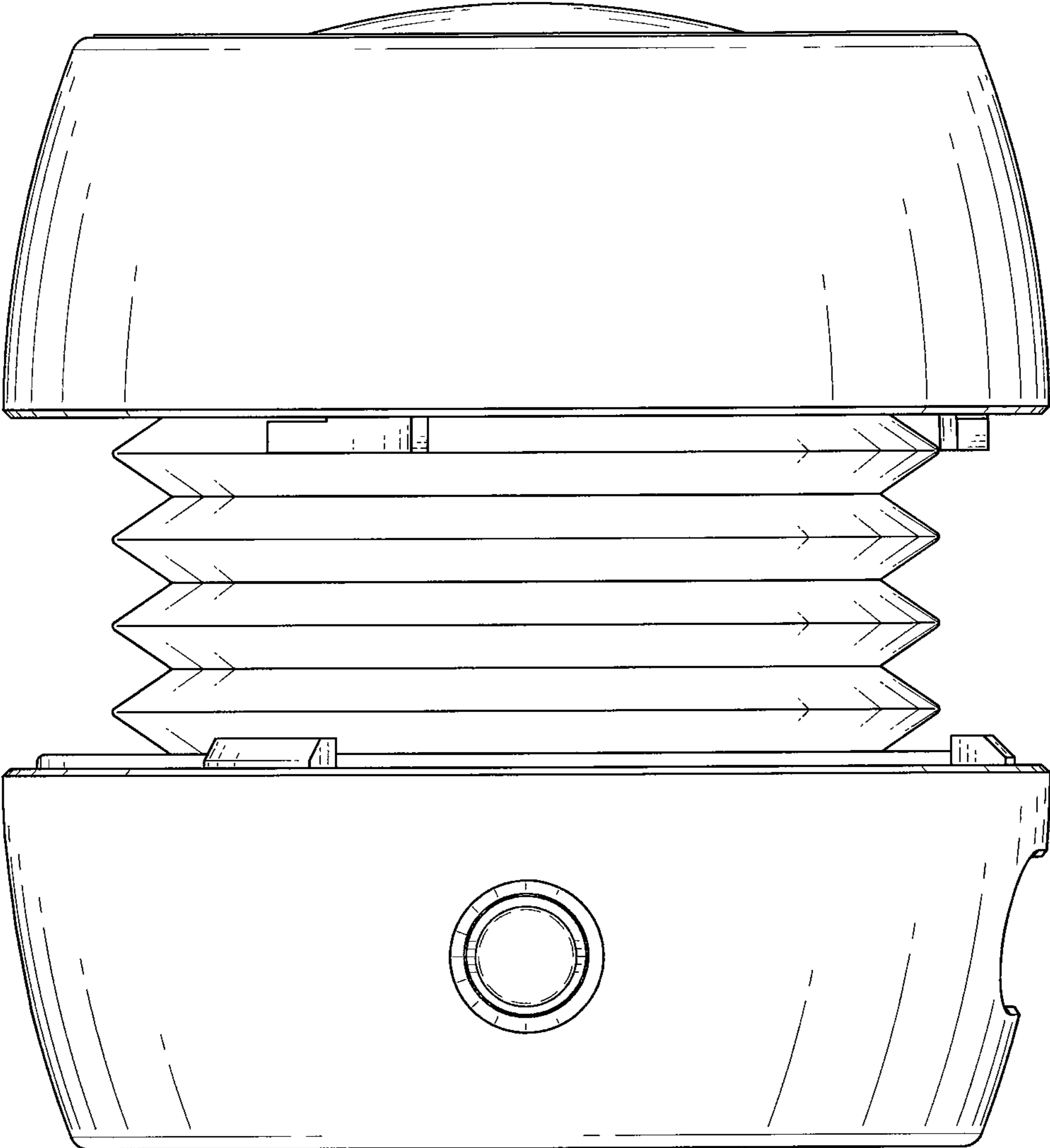


FIG. 7



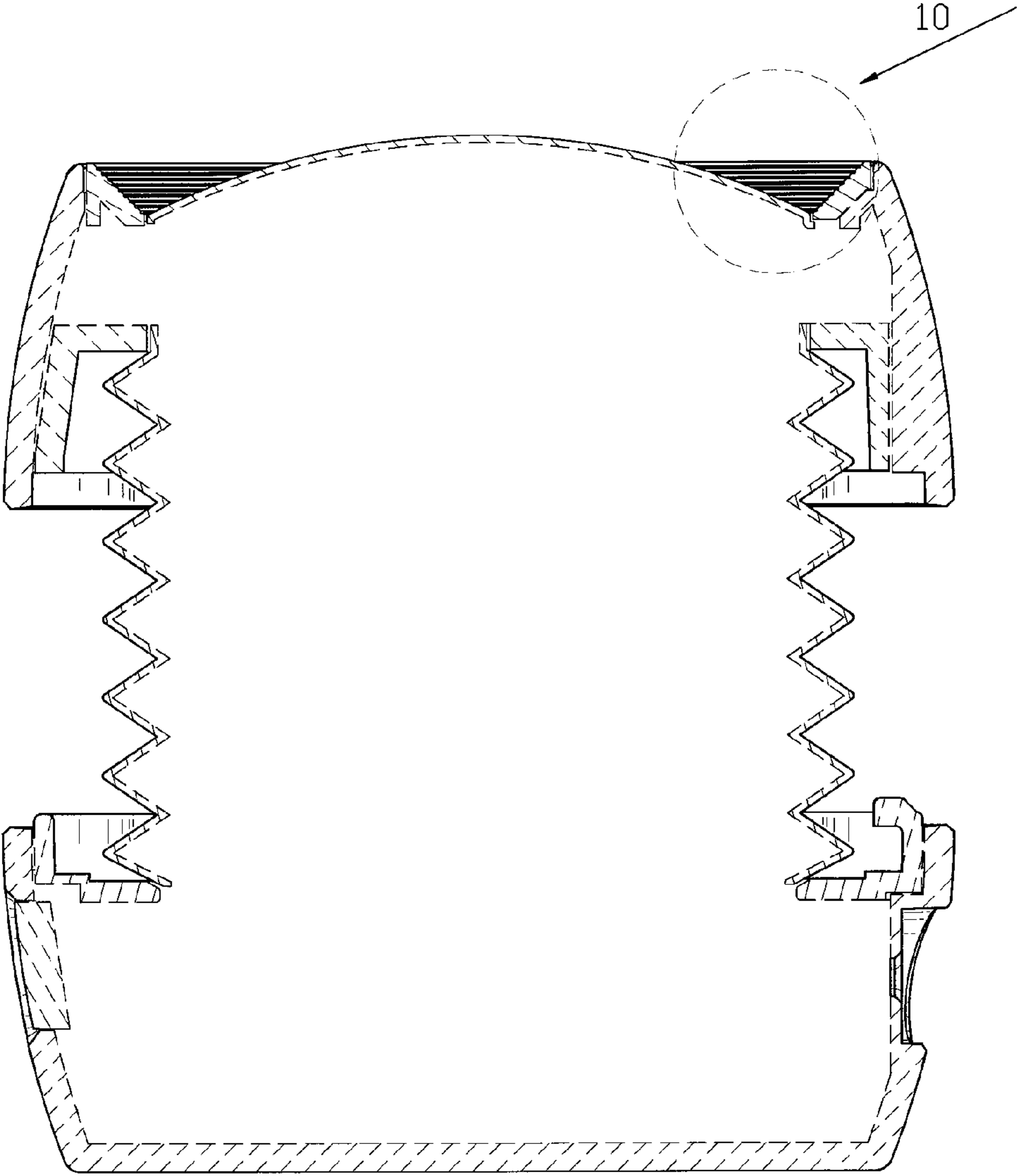


FIG. 8

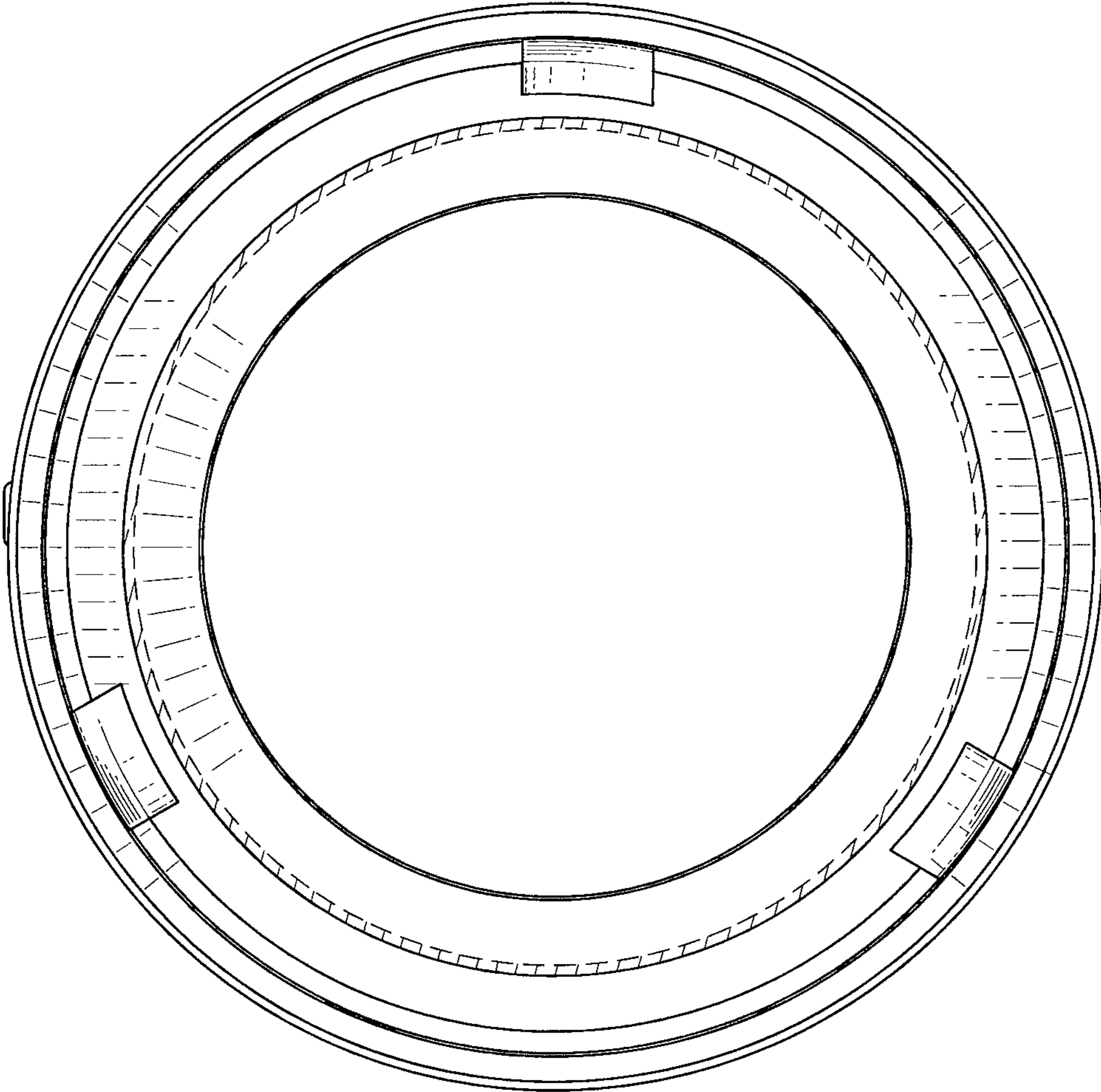


FIG. 9

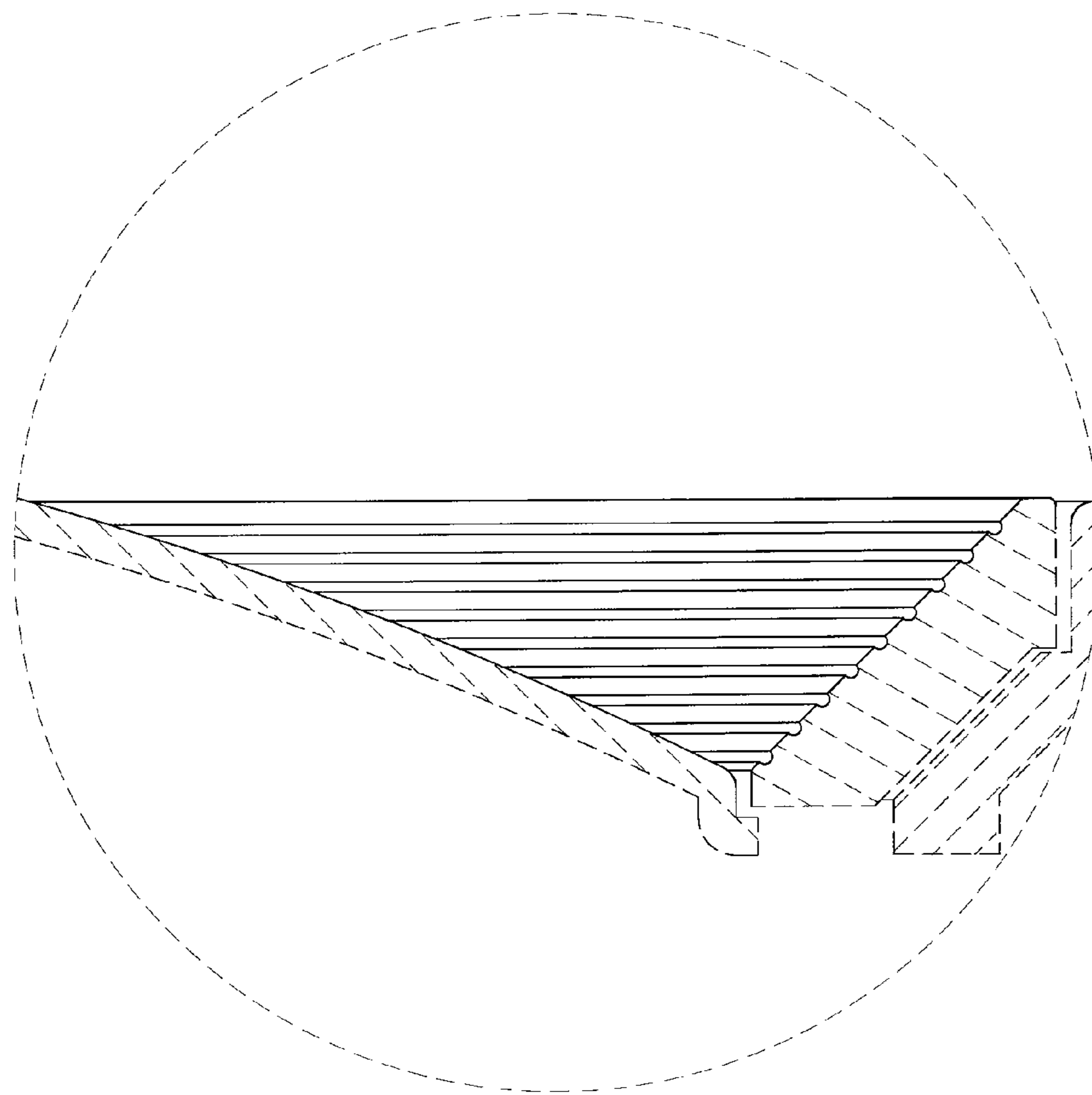


FIG. 10

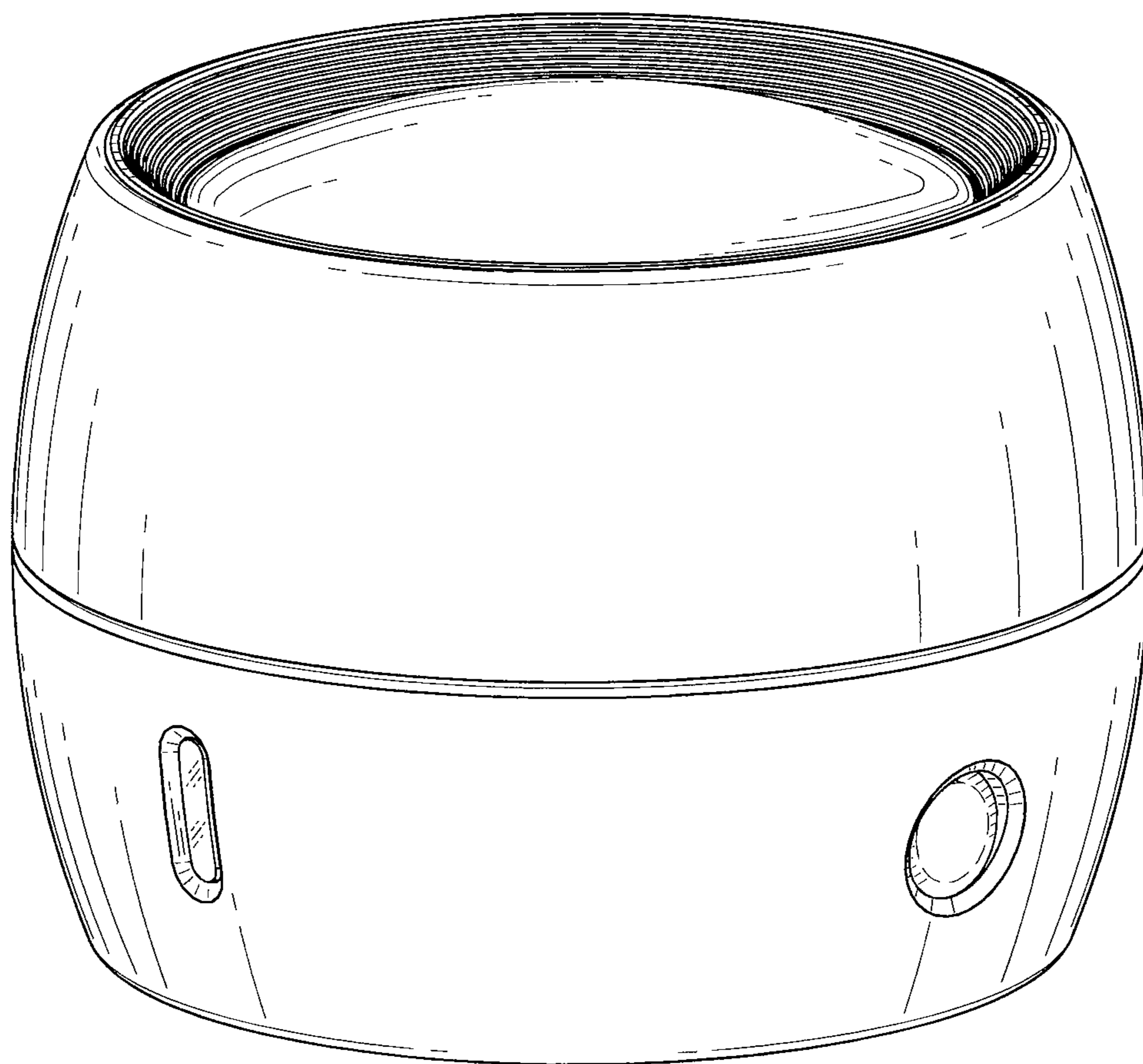


FIG. 11

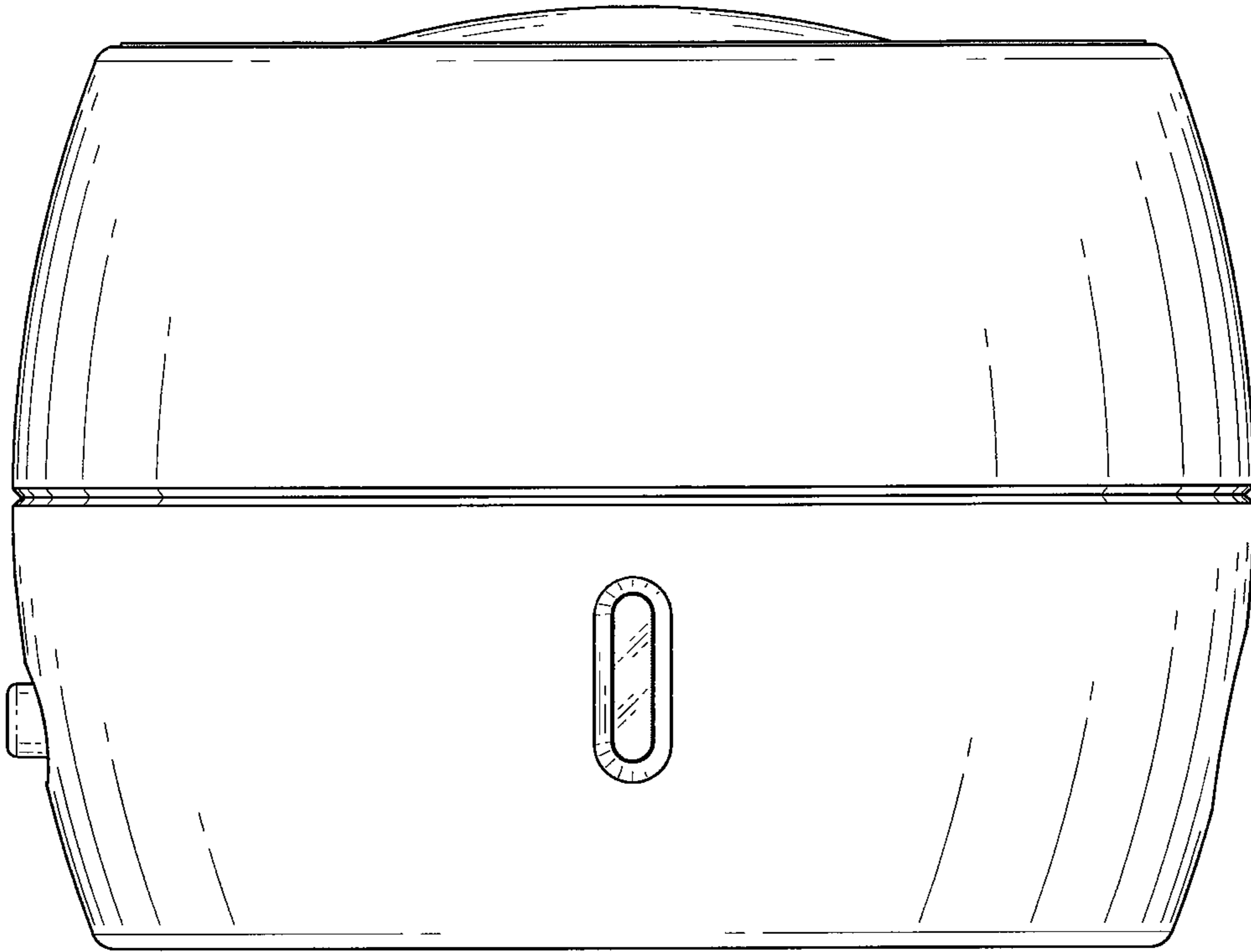


FIG.12

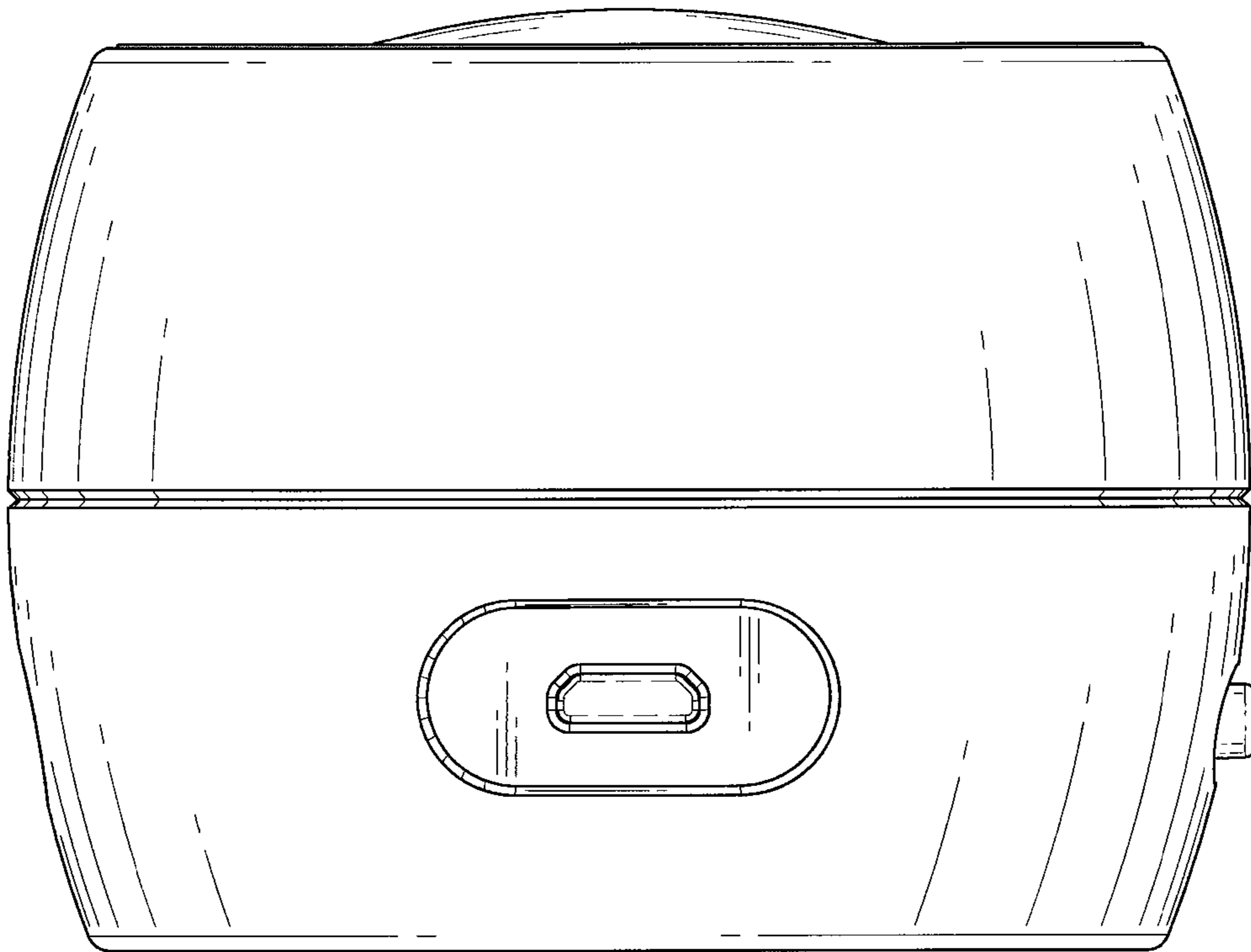


FIG. 13

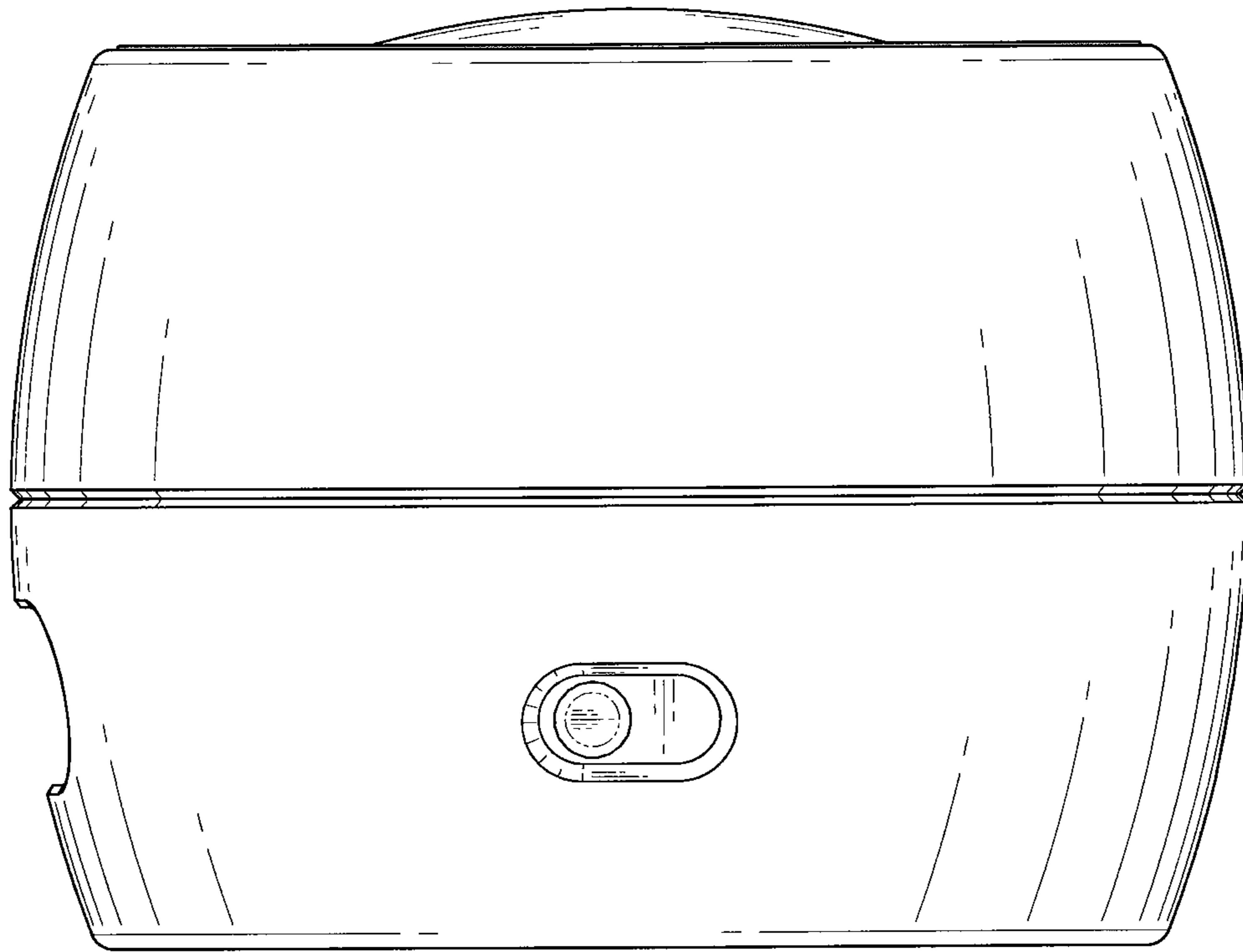


FIG. 14

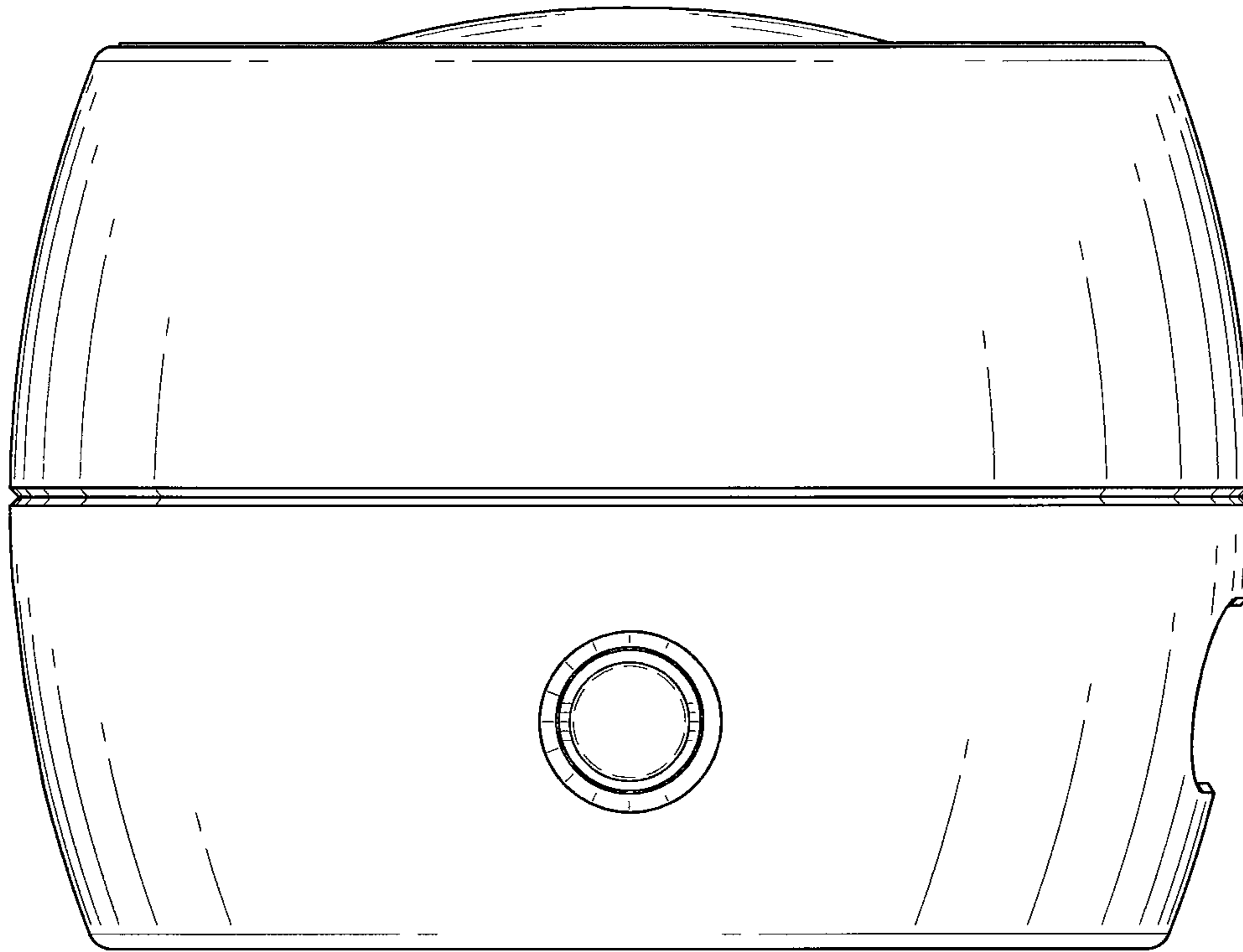


FIG. 15