



US00D710819S

(12) **United States Design Patent**
Poandl

(10) **Patent No.:** **US D710,819 S**

(45) **Date of Patent:** **** Aug. 12, 2014**

(54) **DOCKING MEDIA PLAYER CLOCK RADIO**

(71) Applicant: **Mary Beth Poandl**, Red Bank, NJ (US)

(72) Inventor: **Mary Beth Poandl**, Red Bank, NJ (US)

(73) Assignee: **SDI Technologies, Inc.**, Rahway, NJ (US)

(**) Term: **14 Years**

(21) Appl. No.: **29/467,205**

(22) Filed: **Sep. 17, 2013**

(51) **LOC (10) Cl.** **14-03**

(52) **U.S. Cl.**
USPC **D14/171**

(58) **Field of Classification Search**

CPC G04G 17/00; G04G 17/08; G04G 21/04;
G11B 31/003; H04B 1/06; H04B 1/08;
H04B 1/086; H04M 1/04; H04M 1/21;
H04R 2203/00; H04R 2400/00; H04W 4/02;
H04W 4/06

USPC D14/137, 155, 168, 170, 171, 188,
D14/193-198, 203.1-203.8, 204, 208,
D14/209.1, 210-217, 221, 224.1, 251, 496;
D10/2, 15; 312/7.1; 369/6-12;
370/342-344; 455/90.1-90.3,
455/344-351; 361/814; 368/10, 316, 317;
D13/107, 108

See application file for complete search history.

(56) **References Cited**

U.S. PATENT DOCUMENTS

D586,327 S * 2/2009 Shimizu D14/188
D642,154 S * 7/2011 Poandl D14/171
D656,483 S * 3/2012 Colquhoun D14/209.1
D666,577 S * 9/2012 Skurdal D14/171
D676,413 S * 2/2013 Poandl D14/171
D695,705 S * 12/2013 Shimizu et al. D14/172

* cited by examiner

Primary Examiner — Keli L Hill

(74) *Attorney, Agent, or Firm* — Ostrolenk Faber LLP

(57) **CLAIM**

The ornamental design for a docking media player clock radio, as shown and described.

DESCRIPTION

FIG. 1 is a top, front, perspective view of a docking media player clock radio showing my new design;

FIG. 2 is a front view thereof;

FIG. 3 is a rear view thereof;

FIG. 4 is a top view thereof

FIG. 5 is bottom view thereof;

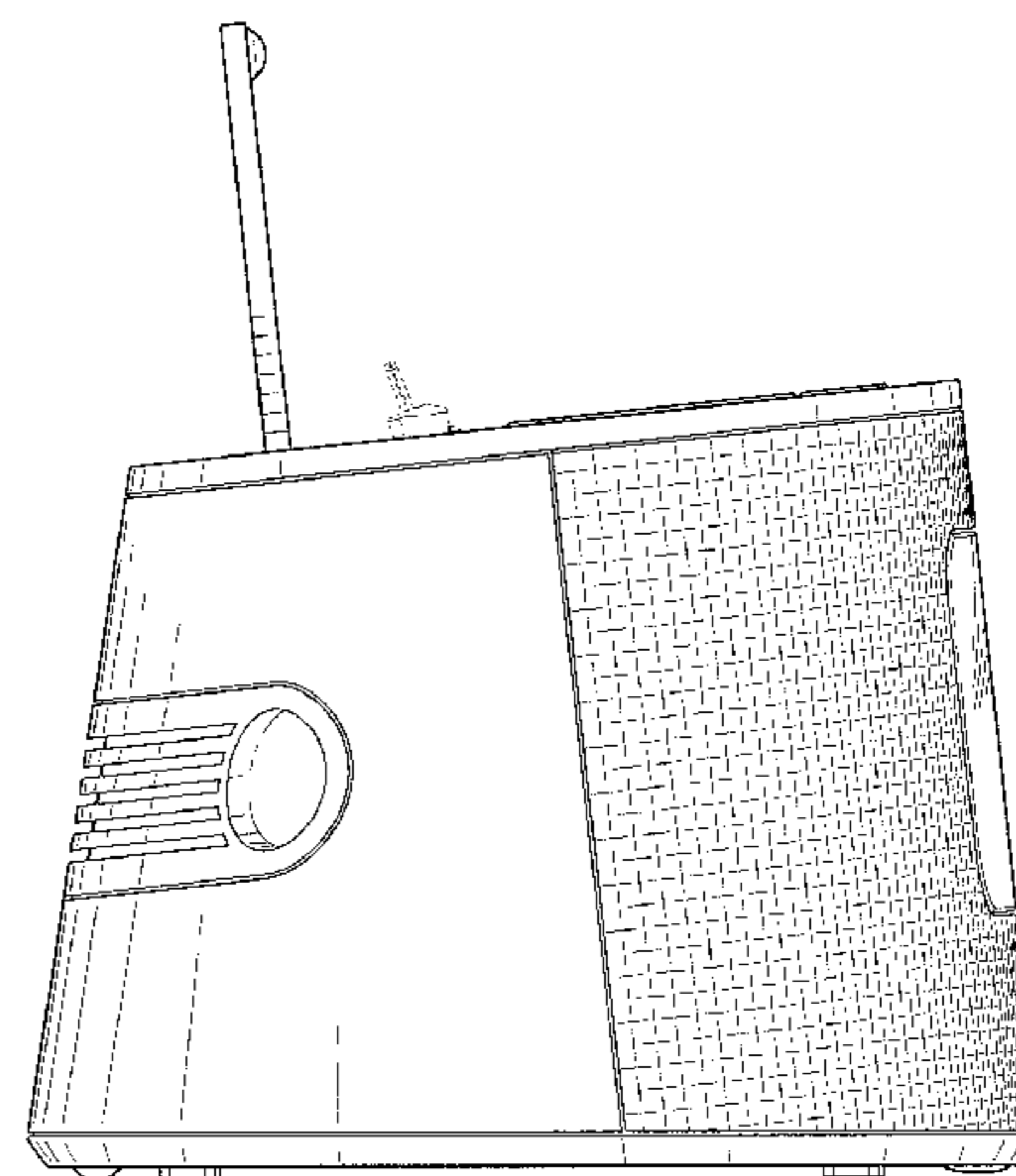
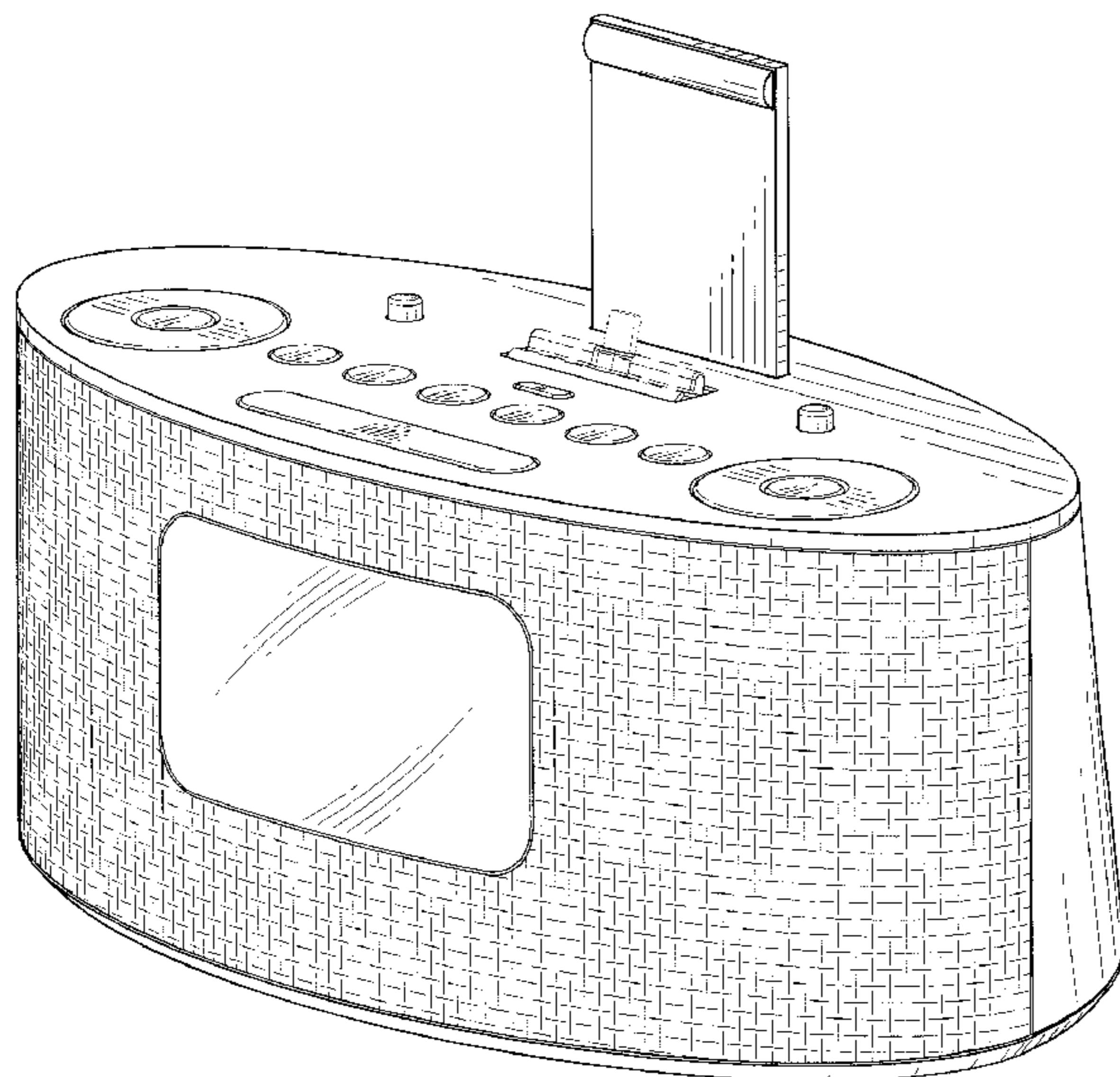
FIG. 6 is a side view thereof, the opposite side view being a mirror image;

FIG. 7 is a cross-sectional view on line 7-7 in FIG. 2; and,

FIG. 8 is a cross-sectional view on line 8-8 in FIG. 4.

The broken lines in the drawings illustrate environmental material that forms no part of the claimed design.

1 Claim, 8 Drawing Sheets



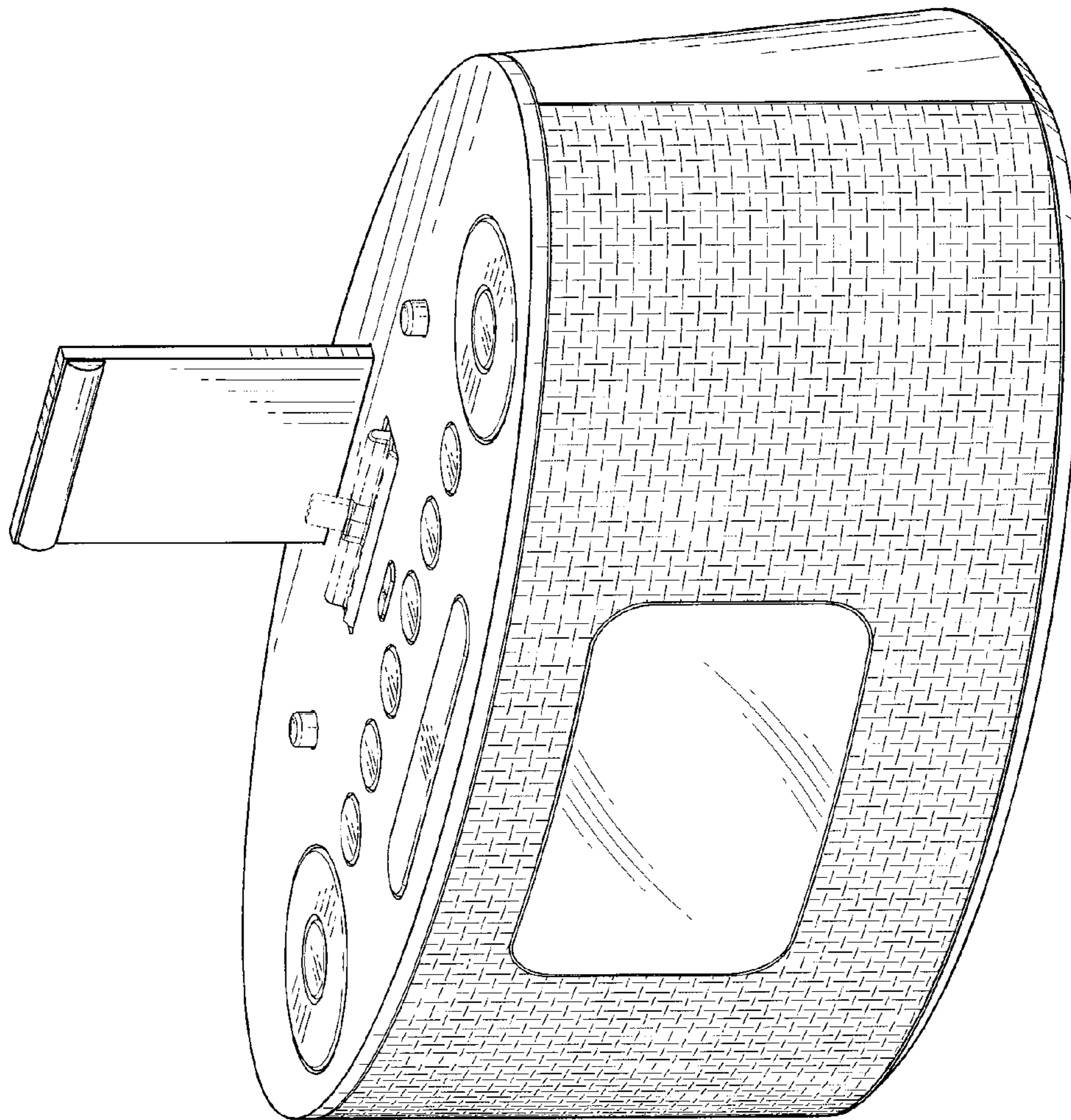


FIG.1

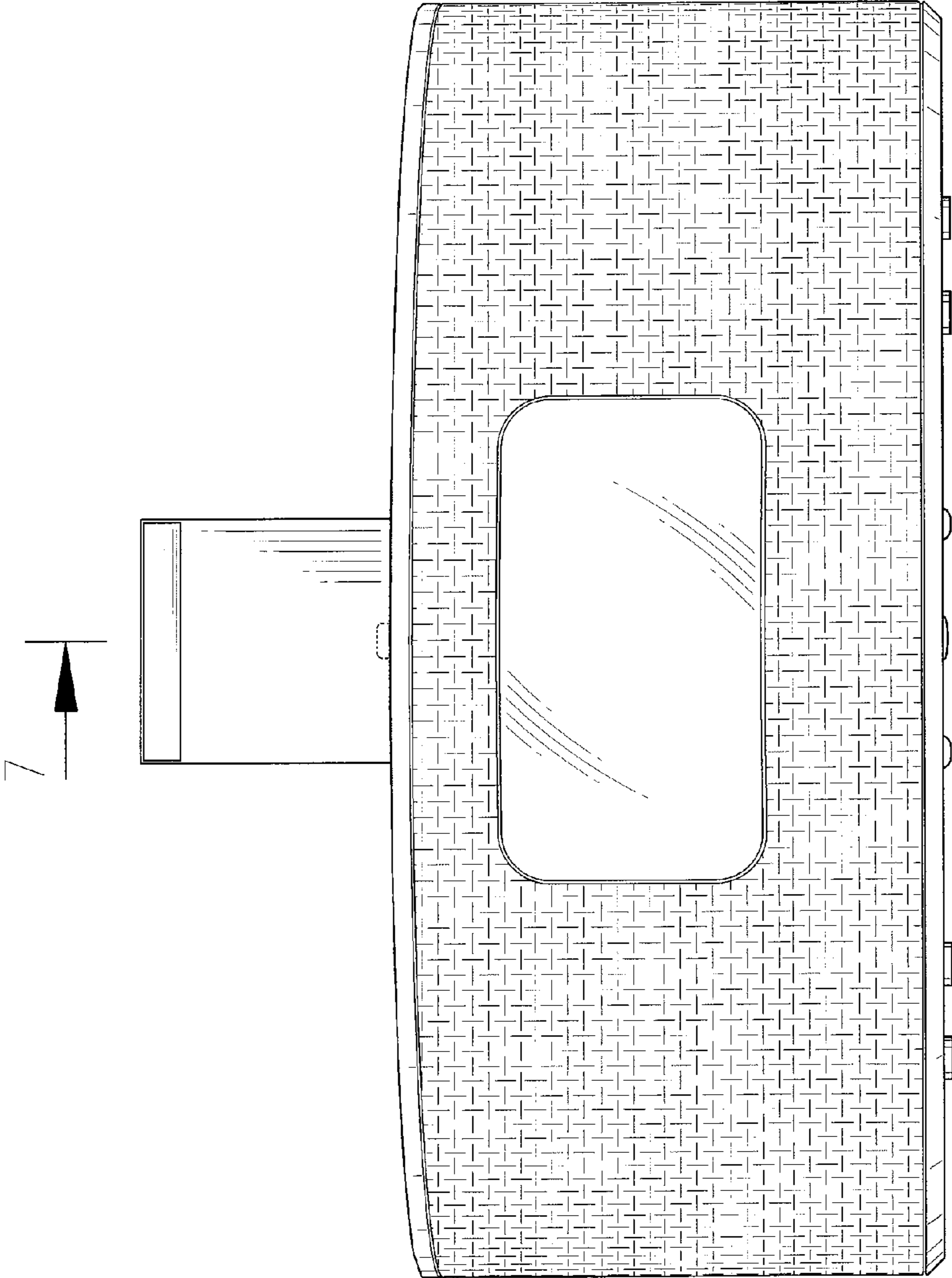


FIG. 2

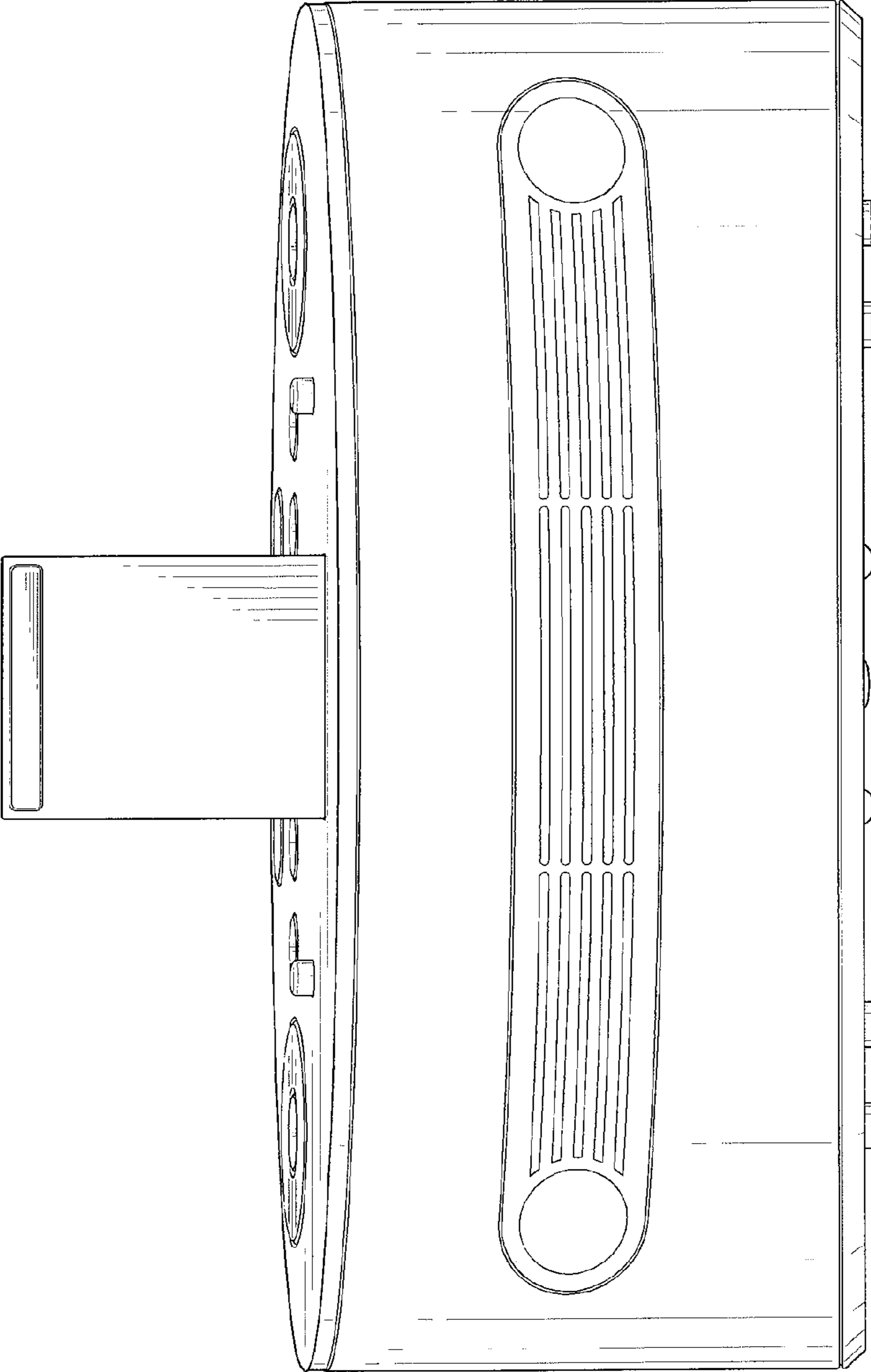


FIG. 3

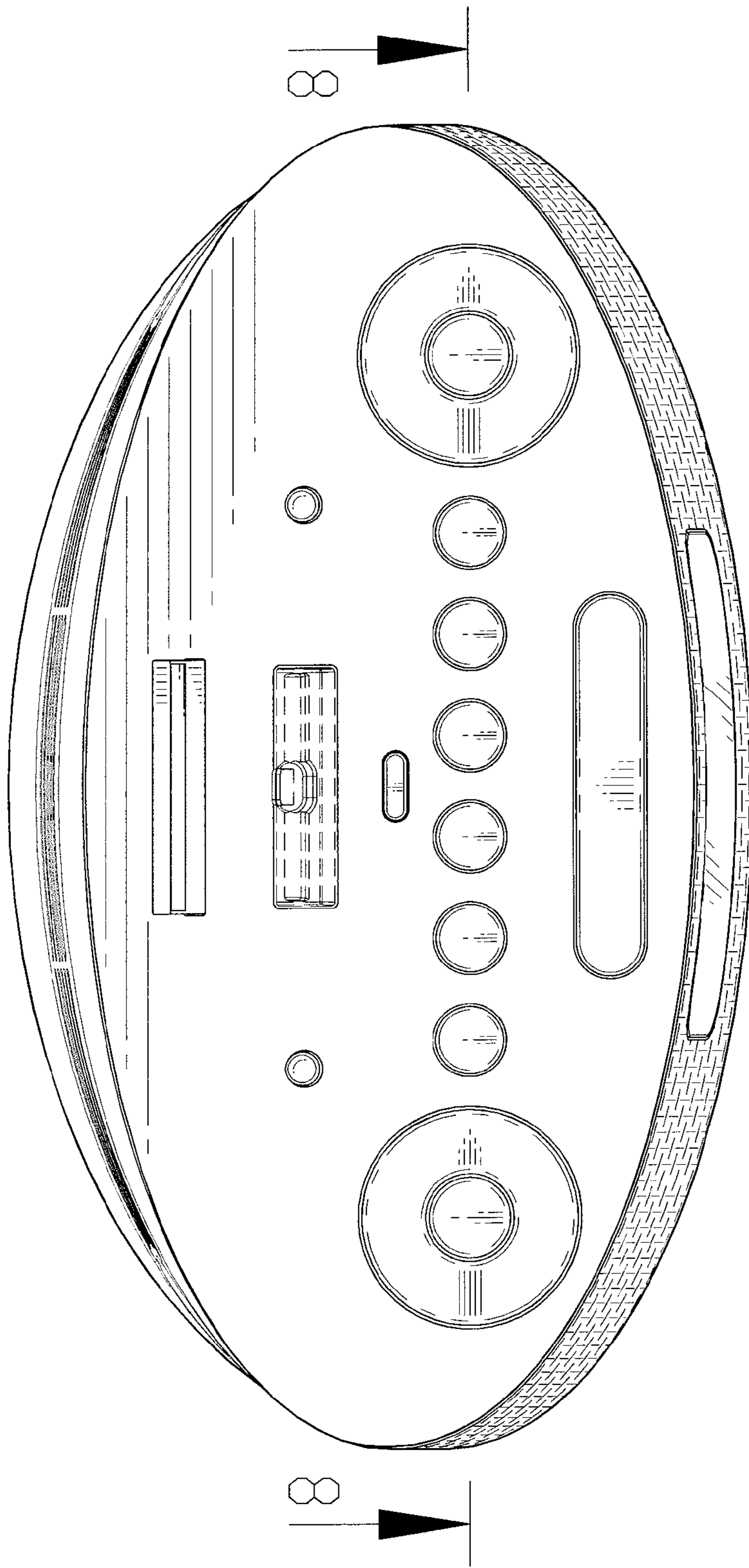


FIG. 4

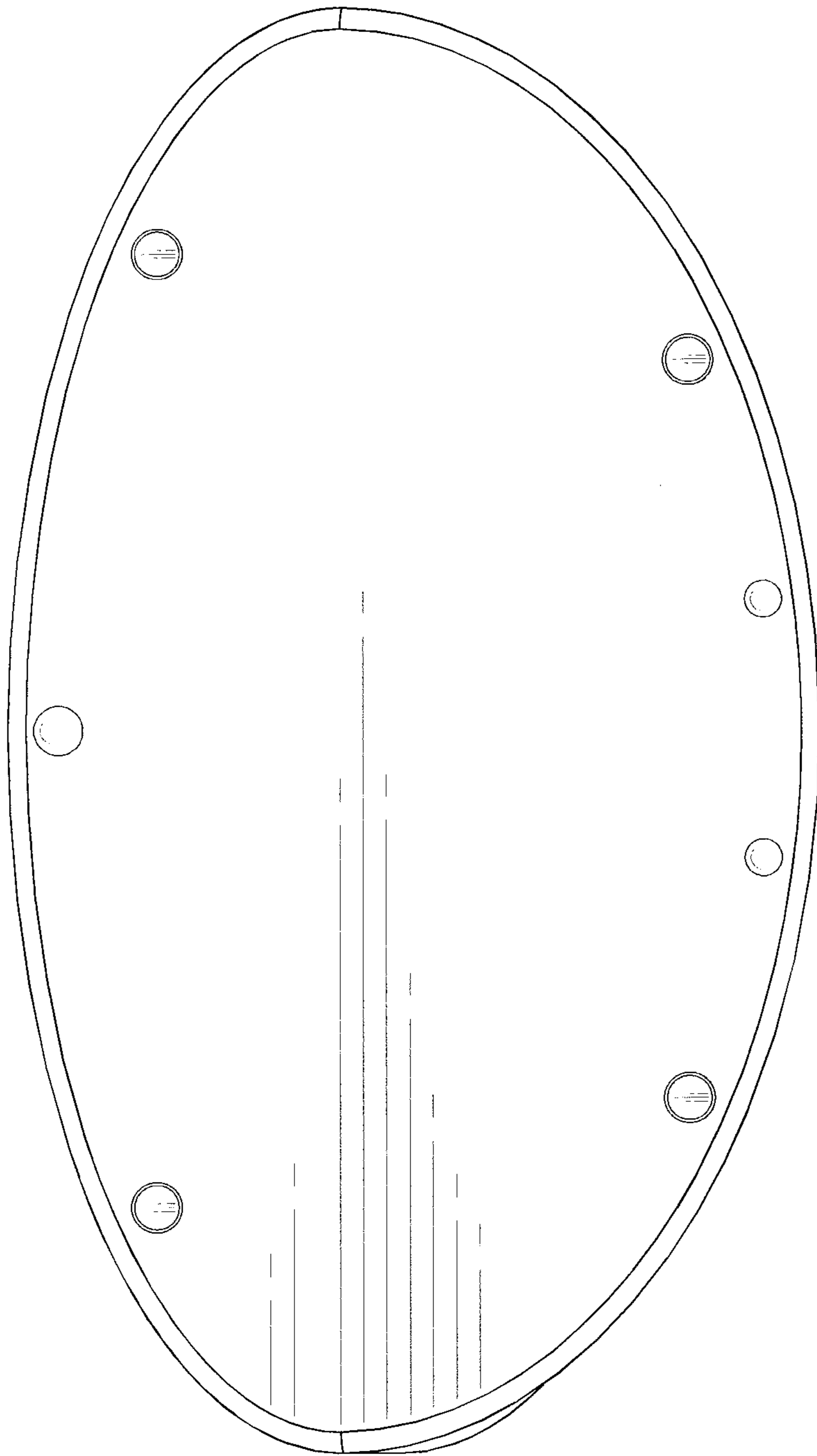


FIG. 5

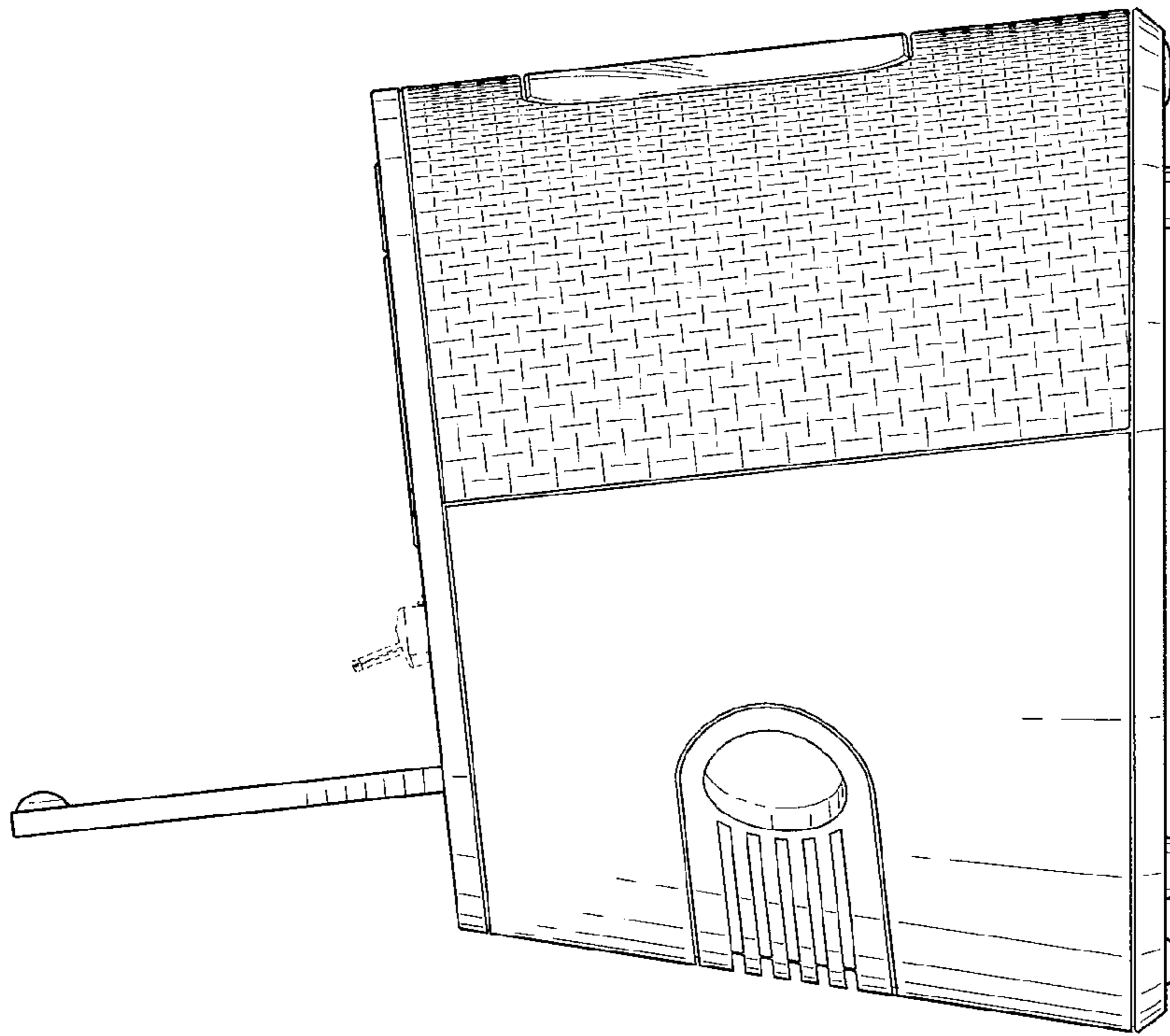


FIG. 6

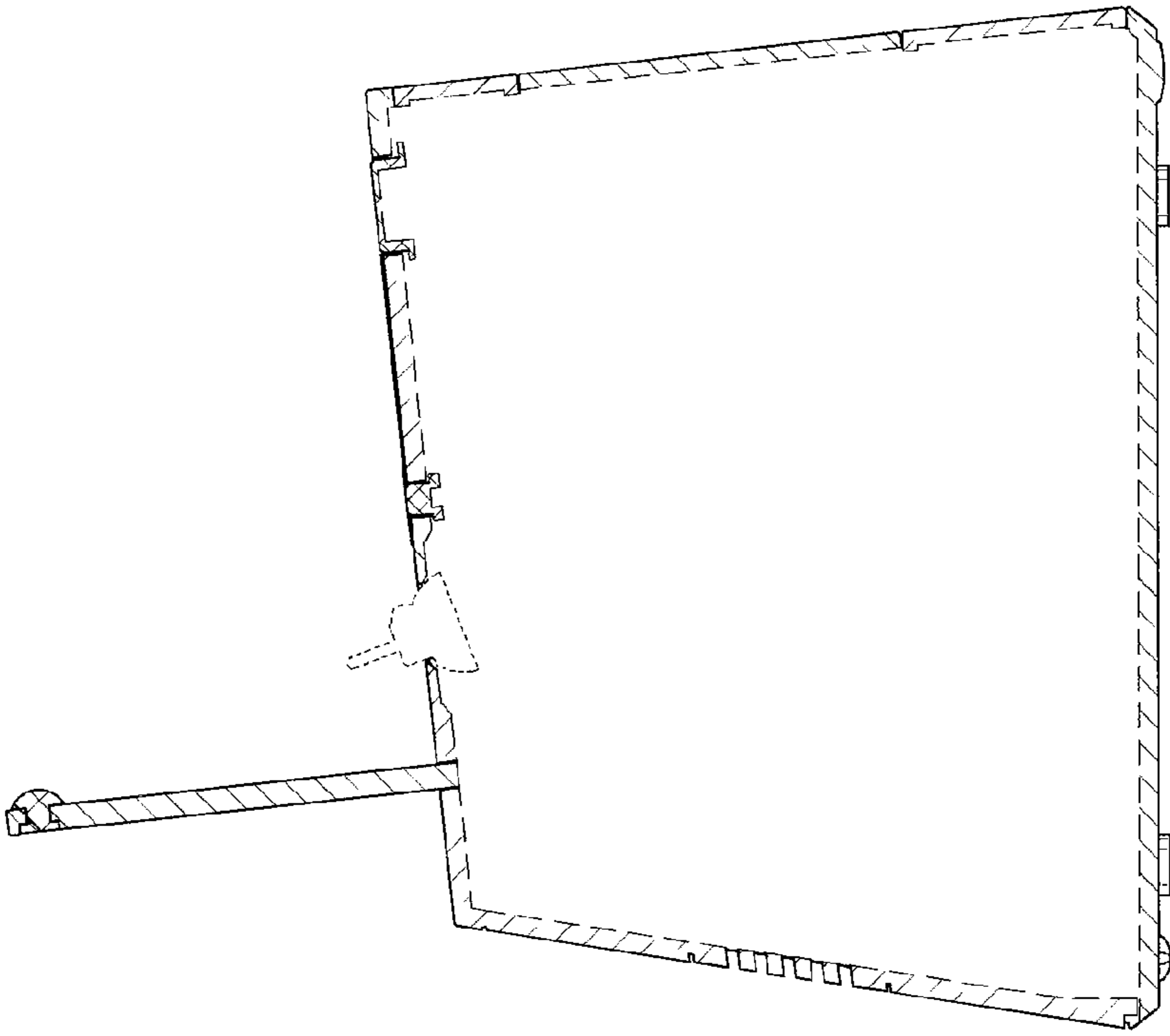


FIG. 7

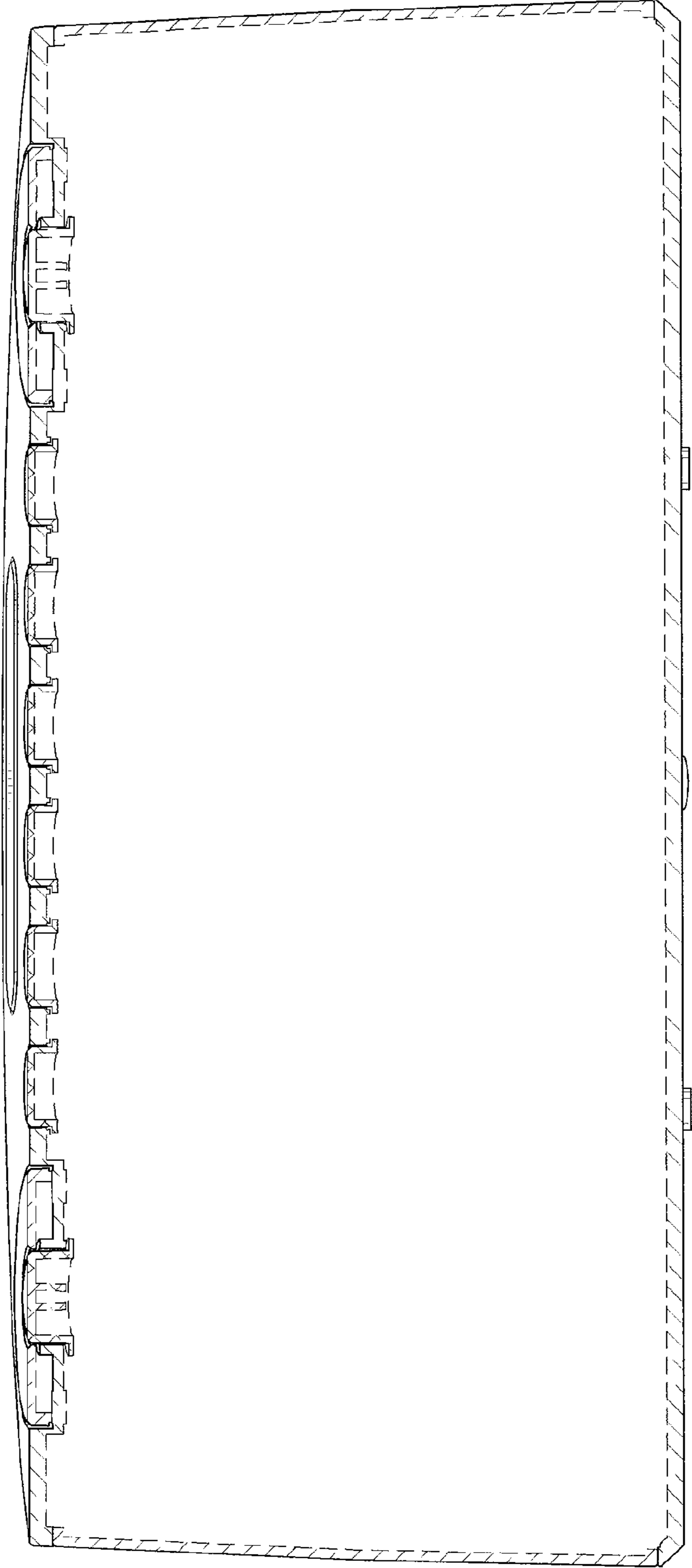


FIG. 8