



US00D710818S

(12) **United States Design Patent**  
**Ota**

(10) **Patent No.:** **US D710,818 S**

(45) **Date of Patent:** **\*\* Aug. 12, 2014**

(54) **VOICE RECORDING/REPRODUCING  
DEVICE**

D676,075 S \* 2/2013 Ku ..... D16/208  
D688,226 S \* 8/2013 Morisawa ..... D14/167  
D690,703 S \* 10/2013 Welch et al. .... D14/440

(71) Applicant: **Olympus Imaging Corp.**, Tokyo (JP)

\* cited by examiner

(72) Inventor: **Hiroyuki Ota**, Yokohama (JP)

*Primary Examiner* — Austin Murphy

(73) Assignee: **Olympus Imaging Corp.**, Tokyo (JP)

(74) *Attorney, Agent, or Firm* — Holtz Holtz Goodman & Chick PC

(\*\*) Term: **14 Years**

(57) **CLAIM**

The ornamental design for a voice recording/reproducing device, as shown.

(21) Appl. No.: **29/482,986**

**DESCRIPTION**

(22) Filed: **Feb. 24, 2014**

(30) **Foreign Application Priority Data**

Nov. 6, 2013 (JP) ..... 2013-025948

(51) **LOC (10) Cl.** ..... **14-01**

(52) **U.S. Cl.**

USPC ..... **D14/167**

(58) **Field of Classification Search**

USPC ..... D14/167, 154, 168, 188, 496, 156, 160,  
D14/161, 162, 163, 164, 165, 158, 203.1,  
D14/341, 346, 342, 345, 225, 226, 228, 227,  
D14/214; 455/351, 350; D19/60, 62;  
D21/330; 369/44.14, 44.32; 700/94

See application file for complete search history.

FIG. 1 is a rear, top and right side perspective view showing my new design;

FIG. 2 is a front elevational view thereof;

FIG. 3 is a rear elevational view thereof;

FIG. 4 is a top plan view thereof;

FIG. 5 is a bottom plan view thereof;

FIG. 6 is a right side elevational view thereof;

FIG. 7 is a left side elevational view thereof;

FIG. 8 is a right side elevational view showing a state where a part of a rear surface of a case thereof is erected and used as a stand;

FIG. 9 is a left side elevational view showing a state where a part of a rear surface of a case thereof is erected and used as a stand;

FIG. 10 is a rear, top and right side perspective view showing a state where a part of a rear surface of a case thereof is erected and used as a stand; and,

FIG. 11 is a bottom and right side perspective view showing a state where a part of a rear surface of a case thereof is erected and used as a stand.

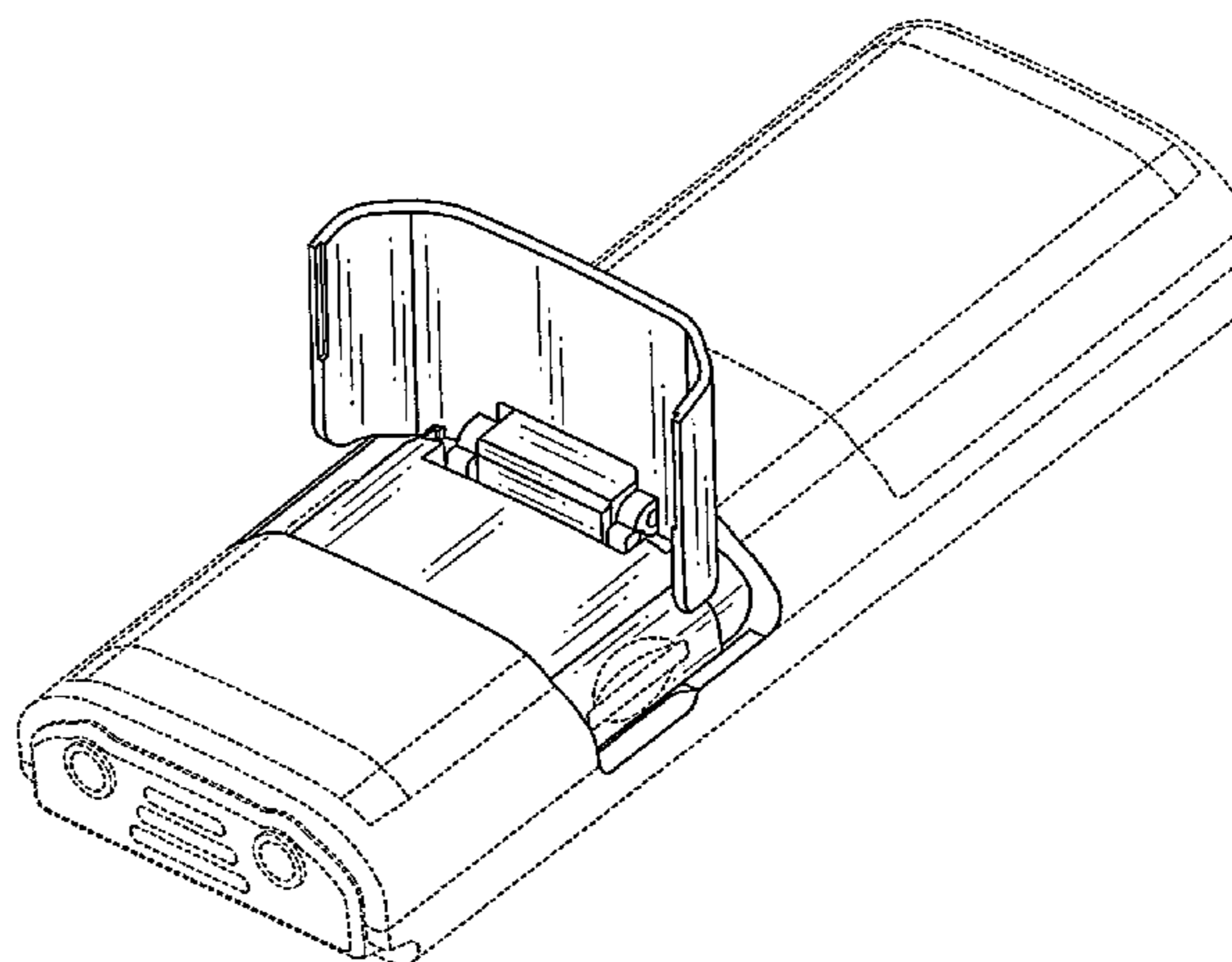
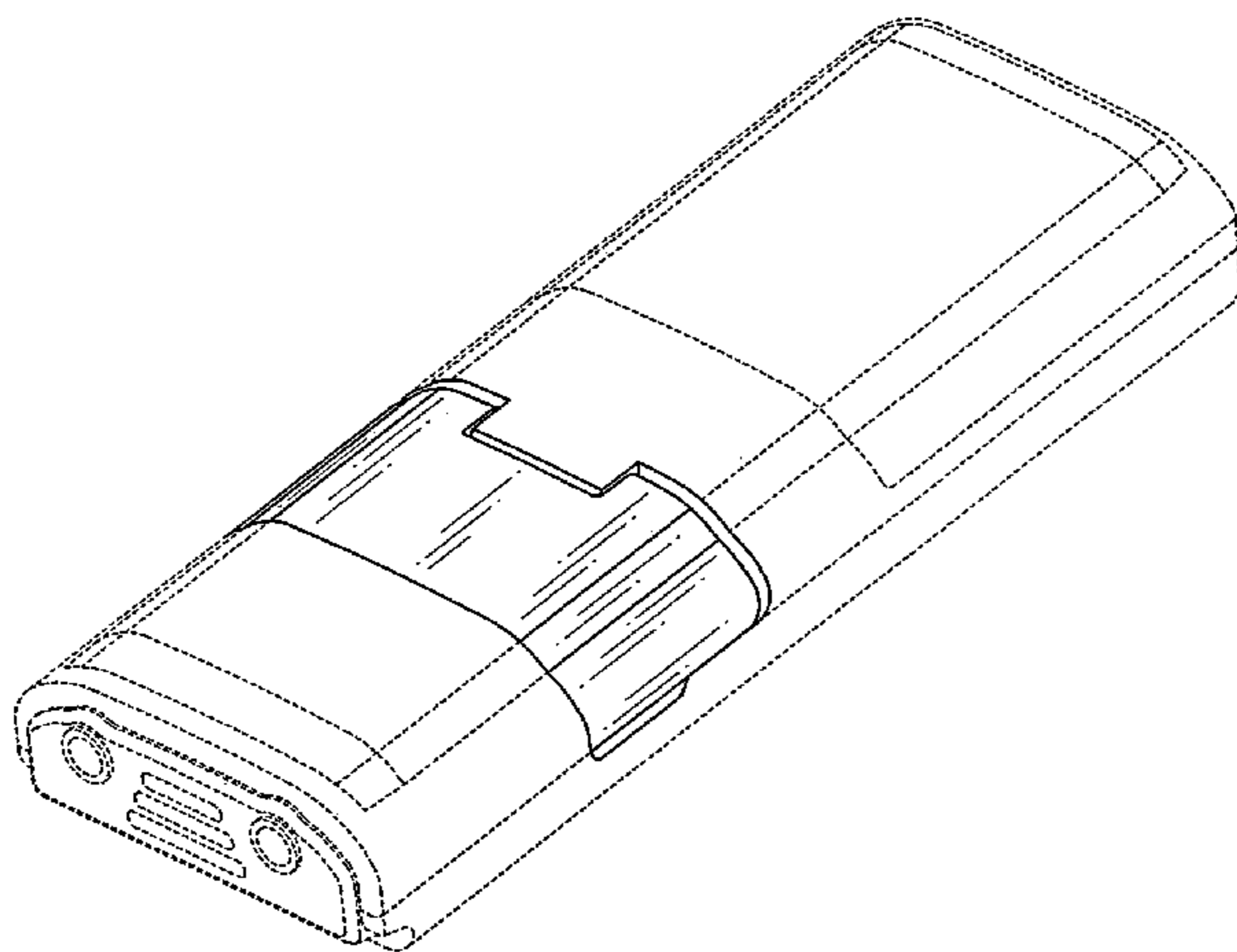
The broken lines shown in the drawings are for illustrative purposes only and form no part of the claimed design.

(56) **References Cited**

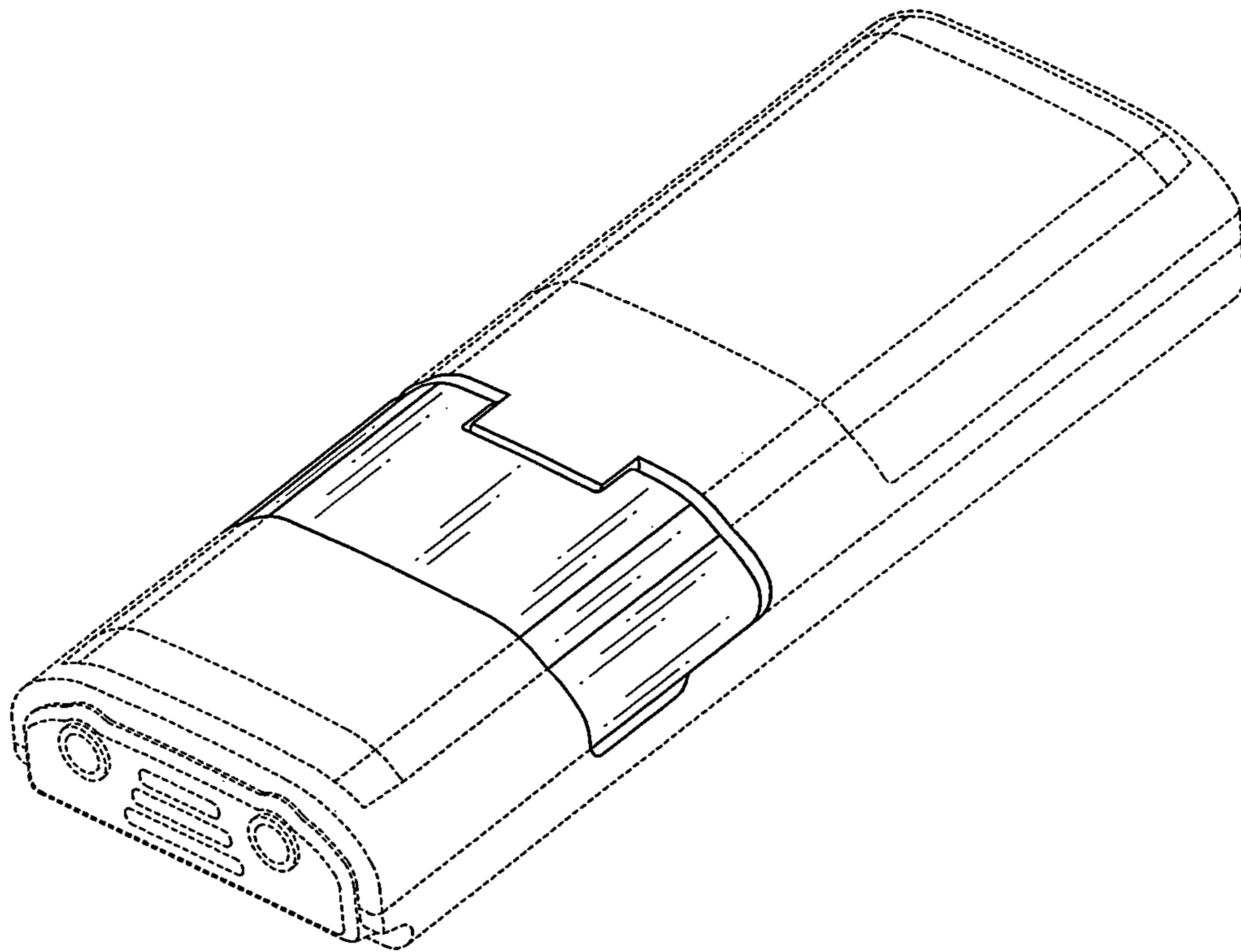
**U.S. PATENT DOCUMENTS**

D317,162 S \* 5/1991 Wingate ..... D14/260  
D601,121 S \* 9/2009 Chen ..... D14/167  
D613,763 S \* 4/2010 Jones et al. .... D14/496  
D630,193 S \* 1/2011 Bennett ..... D14/226  
D655,270 S \* 3/2012 Jain et al. .... D14/167  
D665,809 S \* 8/2012 Wang et al. .... D14/439

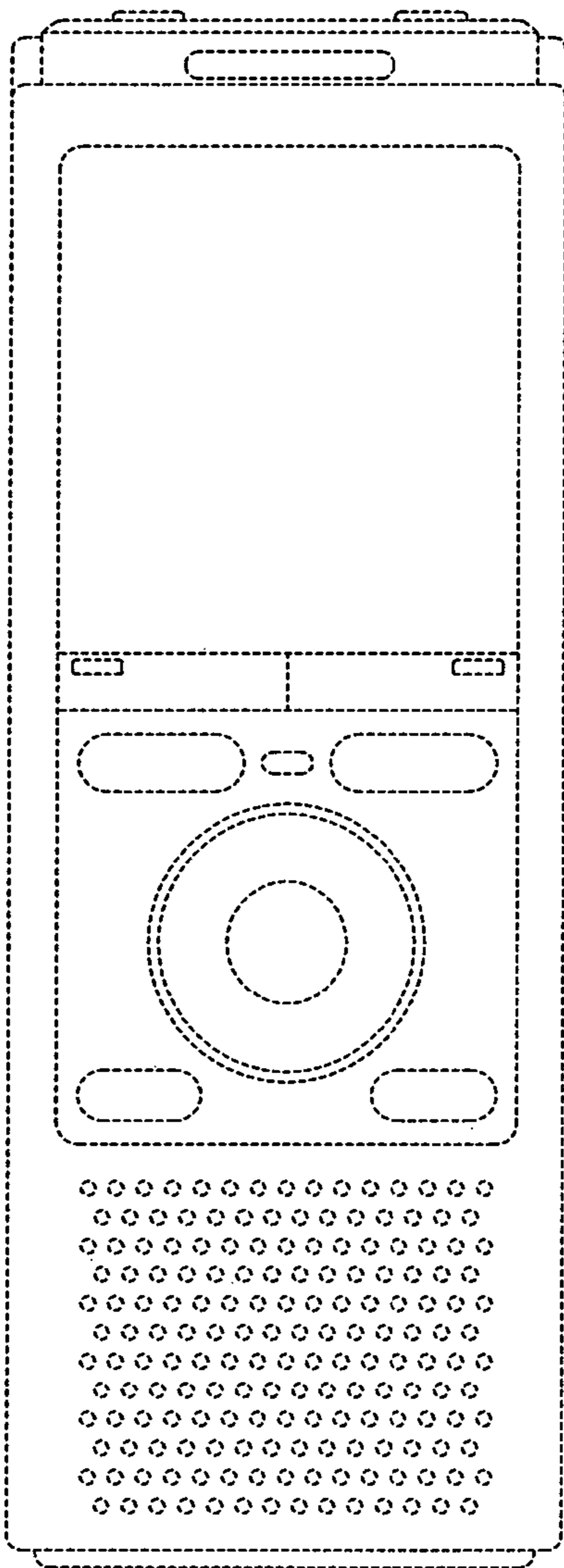
**1 Claim, 6 Drawing Sheets**



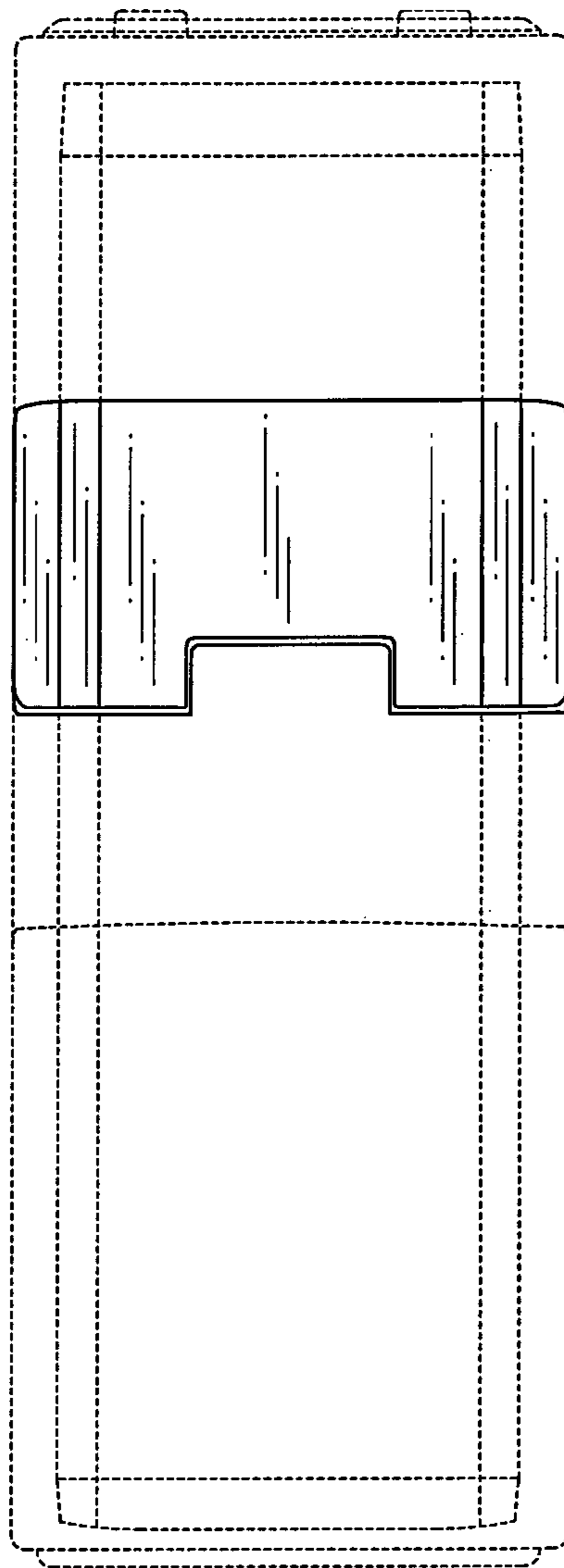
**FIG.1**



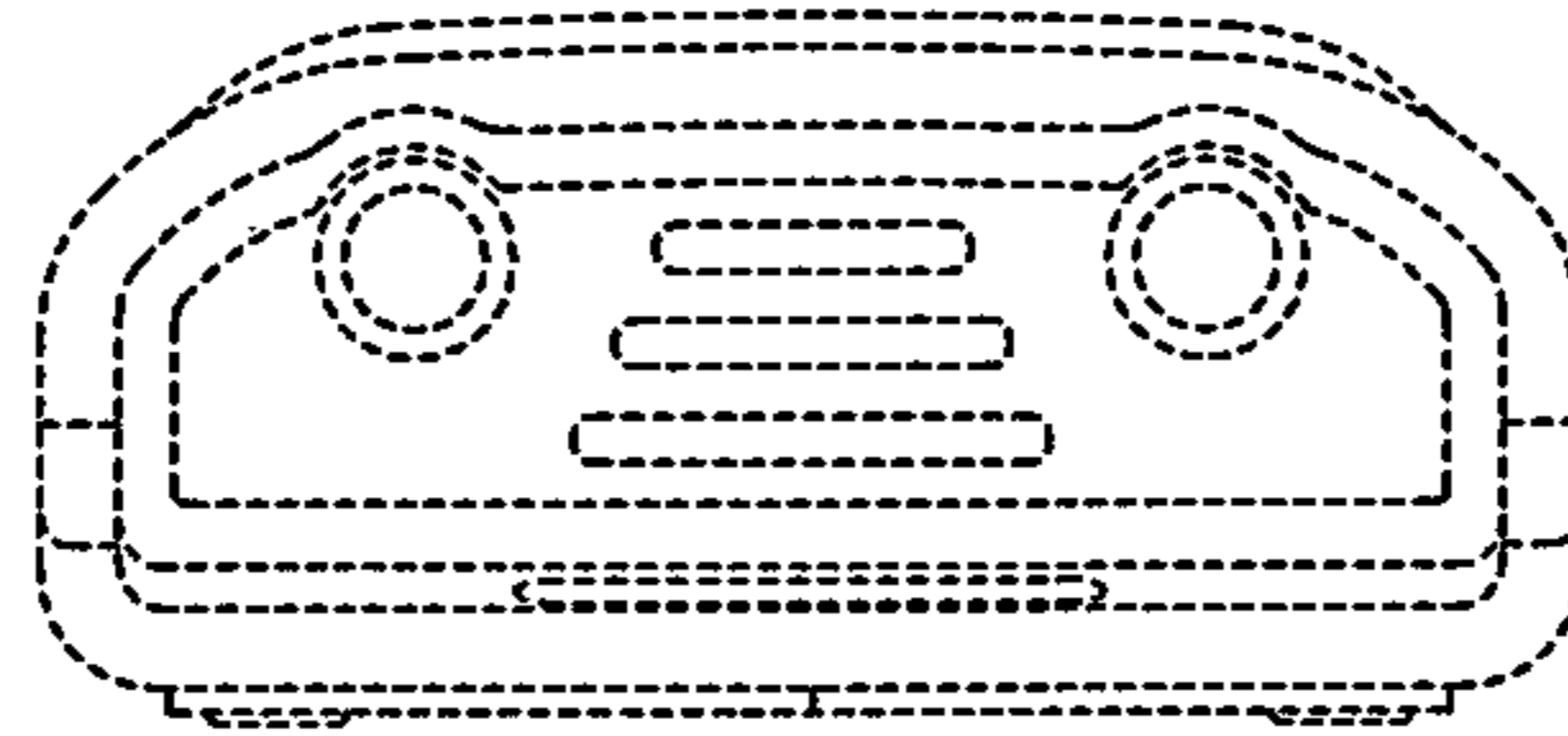
**FIG.2**



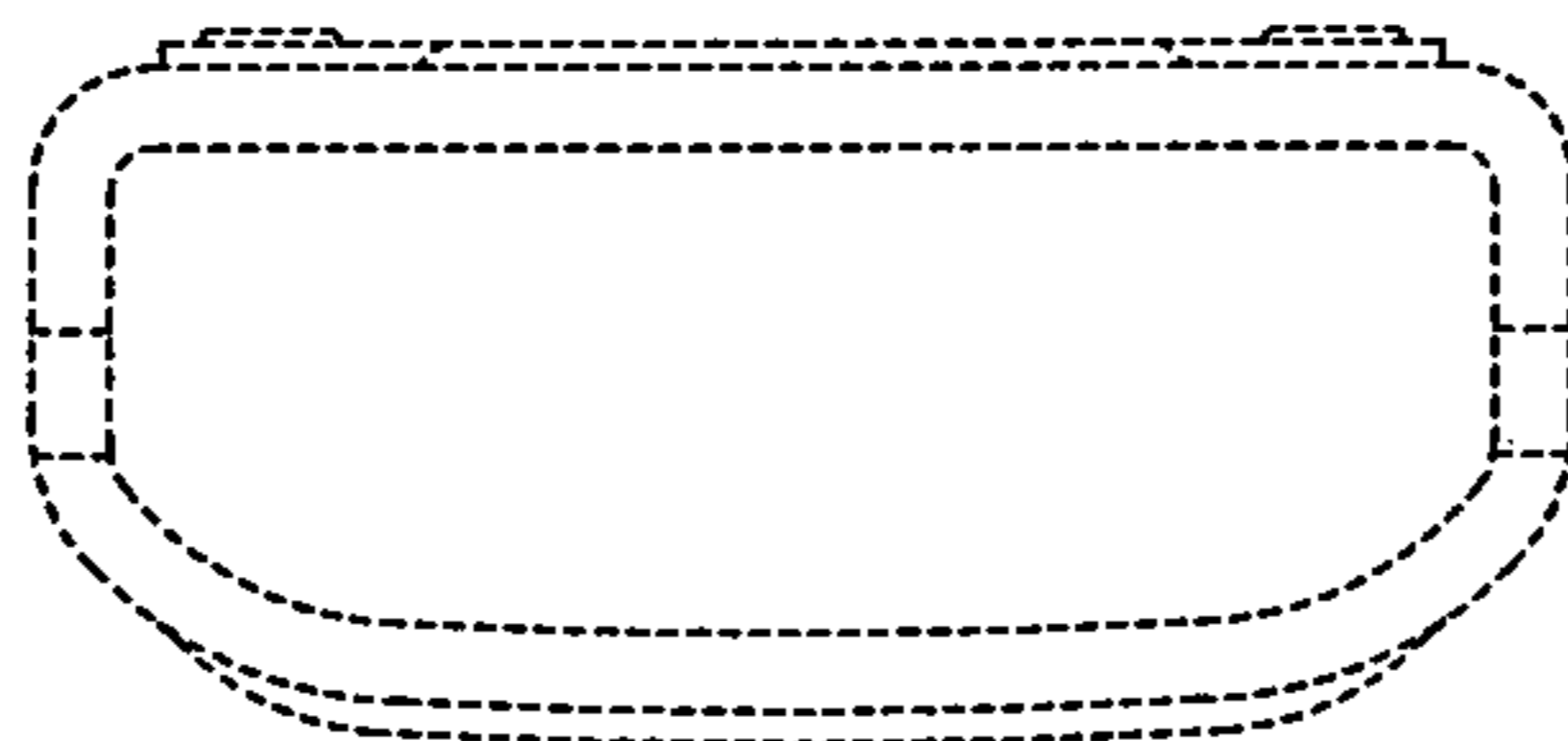
**FIG.3**



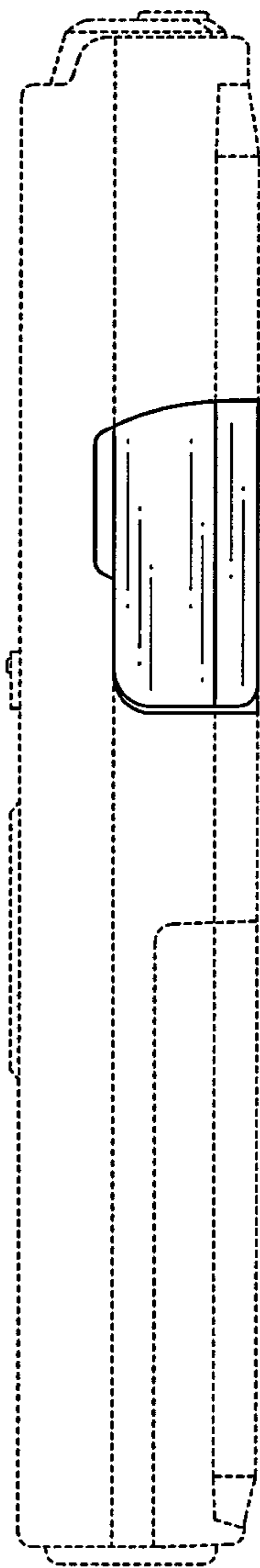
**FIG.4**



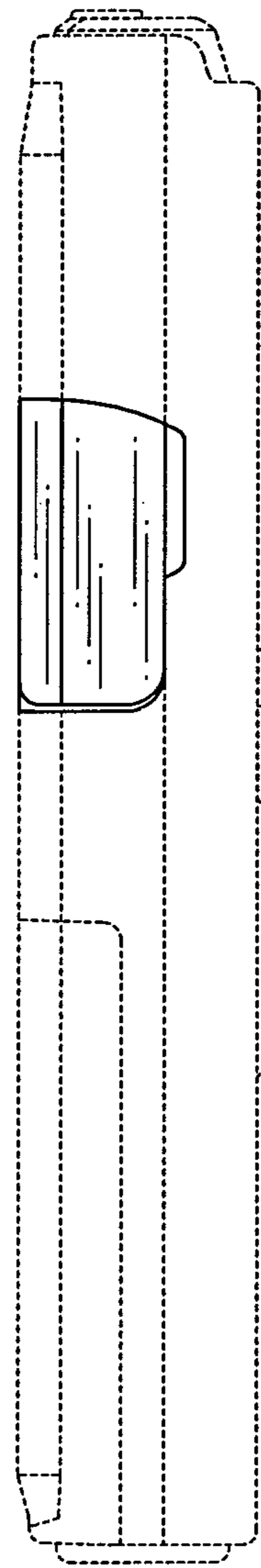
**FIG.5**



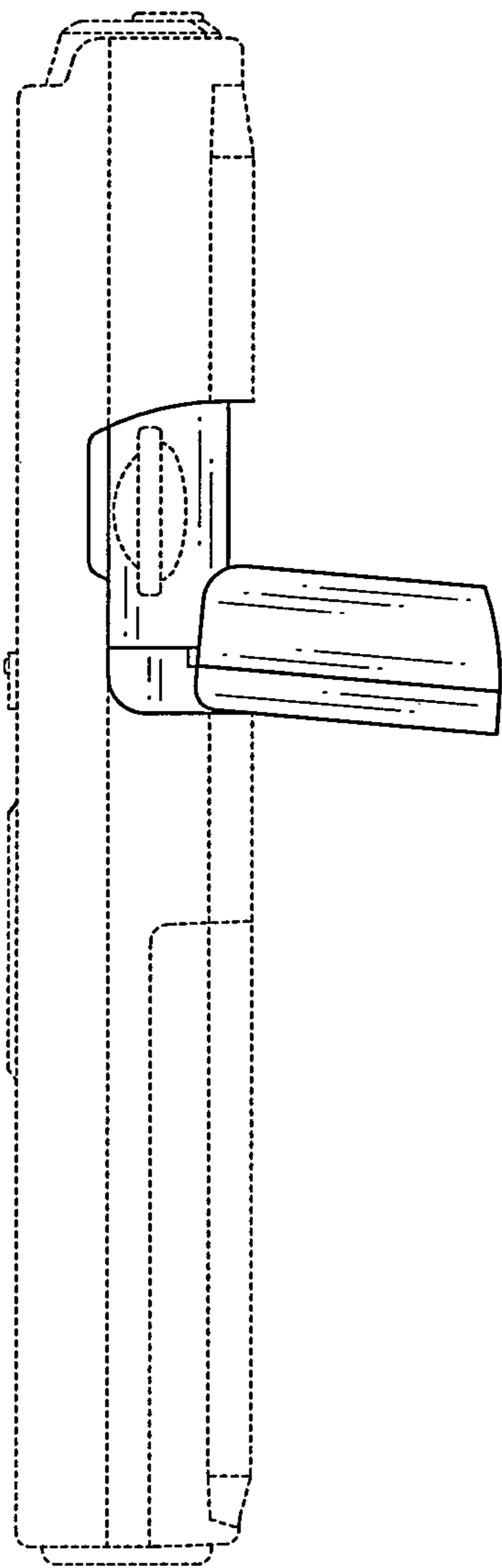
**FIG.6**



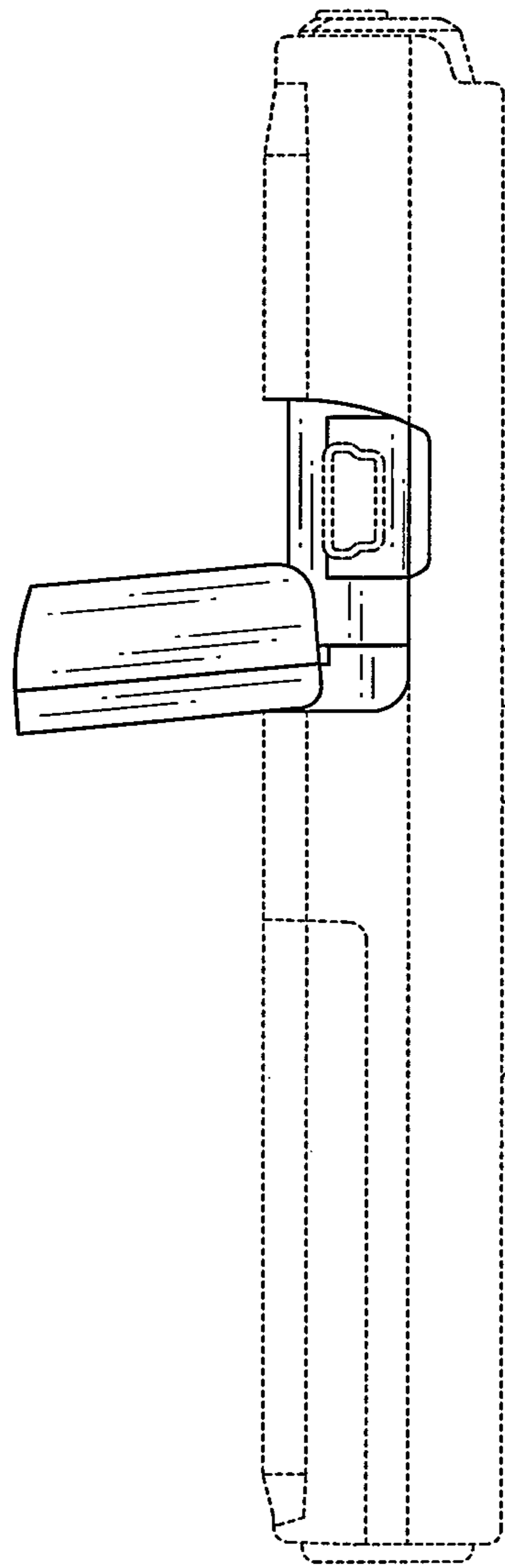
**FIG.7**



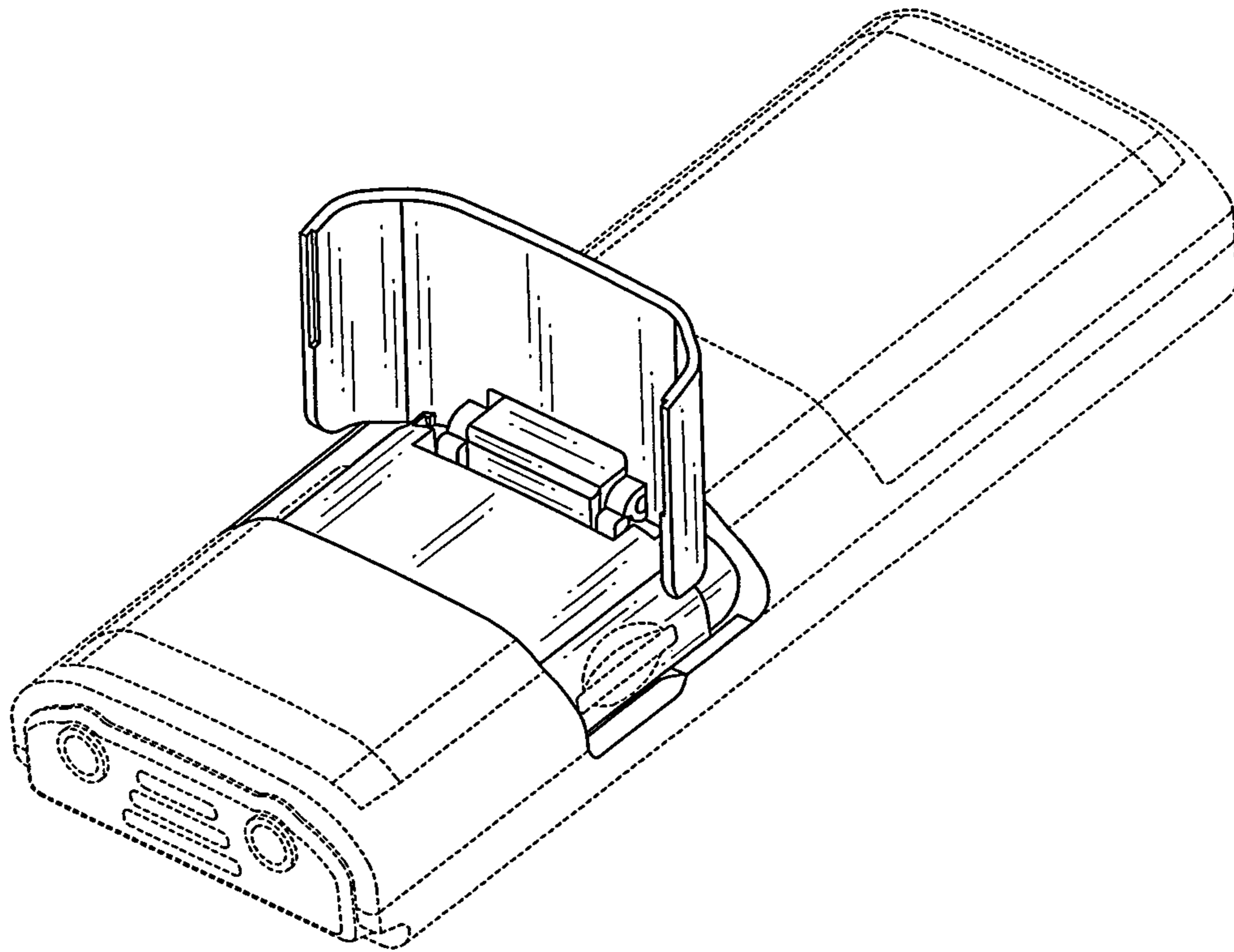
**FIG.8**



**FIG.9**



**FIG.10**



**FIG.11**

