



US00D710817S

(12) **United States Design Patent**
Ushio

(10) **Patent No.:** **US D710,817 S**

(45) **Date of Patent:** **** Aug. 12, 2014**

(54) **VOICE RECORDING/REPRODUCING
DEVICE**

(71) Applicant: **Olympus Imaging Corp.**, Tokyo (JP)

(72) Inventor: **Mariko Ushio**, Hachioji (JP)

(73) Assignee: **Olympus Imaging Corp.**, Tokyo (JP)

(**) Term: **14 Years**

(21) Appl. No.: **29/482,982**

(22) Filed: **Feb. 24, 2014**

(30) **Foreign Application Priority Data**

Nov. 6, 2013 (JP) 2013-025947

(51) **LOC (10) Cl.** **14-01**

(52) **U.S. Cl.**
USPC **D14/167**

(58) **Field of Classification Search**

USPC D14/167, 154, 168, 188, 496, 156, 160,
D14/161, 162, 163, 164, 165, 158, 203.1,
D14/341, 346, 342, 345, 225, 226, 228, 227,
D14/214; 455/351, 350; D19/60, 62;
D21/330; 369/44.14, 44.32; 700/94
See application file for complete search history.

(56) **References Cited**

U.S. PATENT DOCUMENTS

D486,466 S * 2/2004 Tanaka D14/167
D532,411 S * 11/2006 Shimizu D14/228

D568,878 S * 5/2008 Aoki D14/226
D623,166 S * 9/2010 Oka D14/167
D635,121 S * 3/2011 Takahashi et al. D14/167
D640,230 S * 6/2011 Sakai et al. D14/167
D645,838 S * 9/2011 Hayashi D14/167
D647,077 S * 10/2011 Hayashi D14/167
D658,163 S * 4/2012 Iikura D14/225
D665,769 S * 8/2012 Hayashi D14/167
D665,771 S * 8/2012 Osada D14/167
D683,714 S * 6/2013 Ito et al. D14/167
D688,226 S * 8/2013 Morisawa D14/167

* cited by examiner

Primary Examiner — Austin Murphy

(74) *Attorney, Agent, or Firm* — Holtz Holtz Goodman & Chick PC

(57) **CLAIM**

The ornamental design for a voice recording/reproducing device, as shown.

DESCRIPTION

FIG. 1 is a front, top and right side perspective view of a showing my new design;
FIG. 2 is a front elevational view thereof;
FIG. 3 is a rear elevational view thereof;
FIG. 4 is a top plan view thereof;
FIG. 5 is a bottom plan view thereof;
FIG. 6 is a right side elevational view thereof; and,
FIG. 7 is a left side elevational view thereof.
The broken lines shown in the drawings are for illustrative purposes only and form no part of the claimed design.

1 Claim, 5 Drawing Sheets

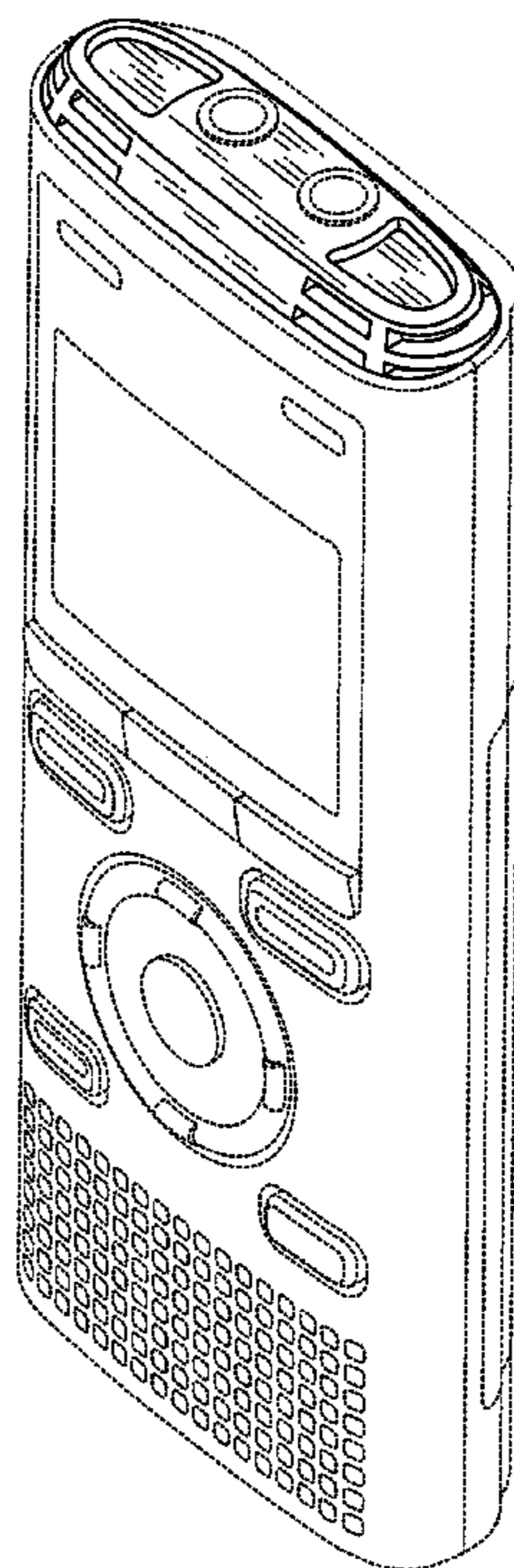


FIG. 1

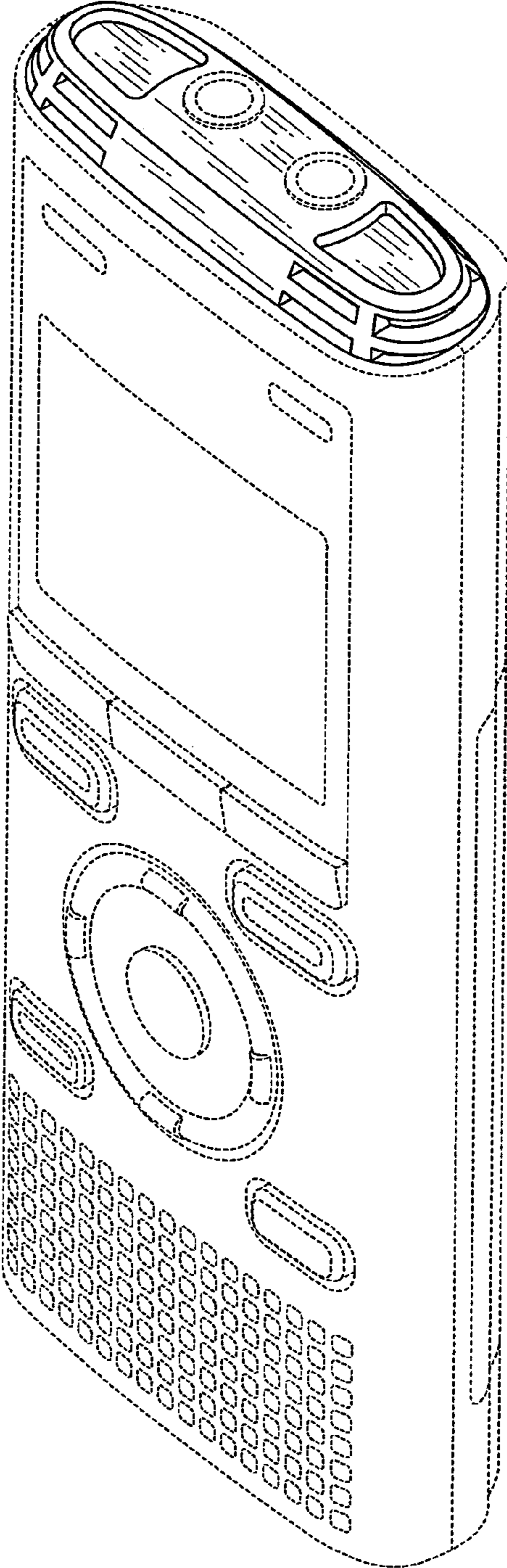


FIG.2

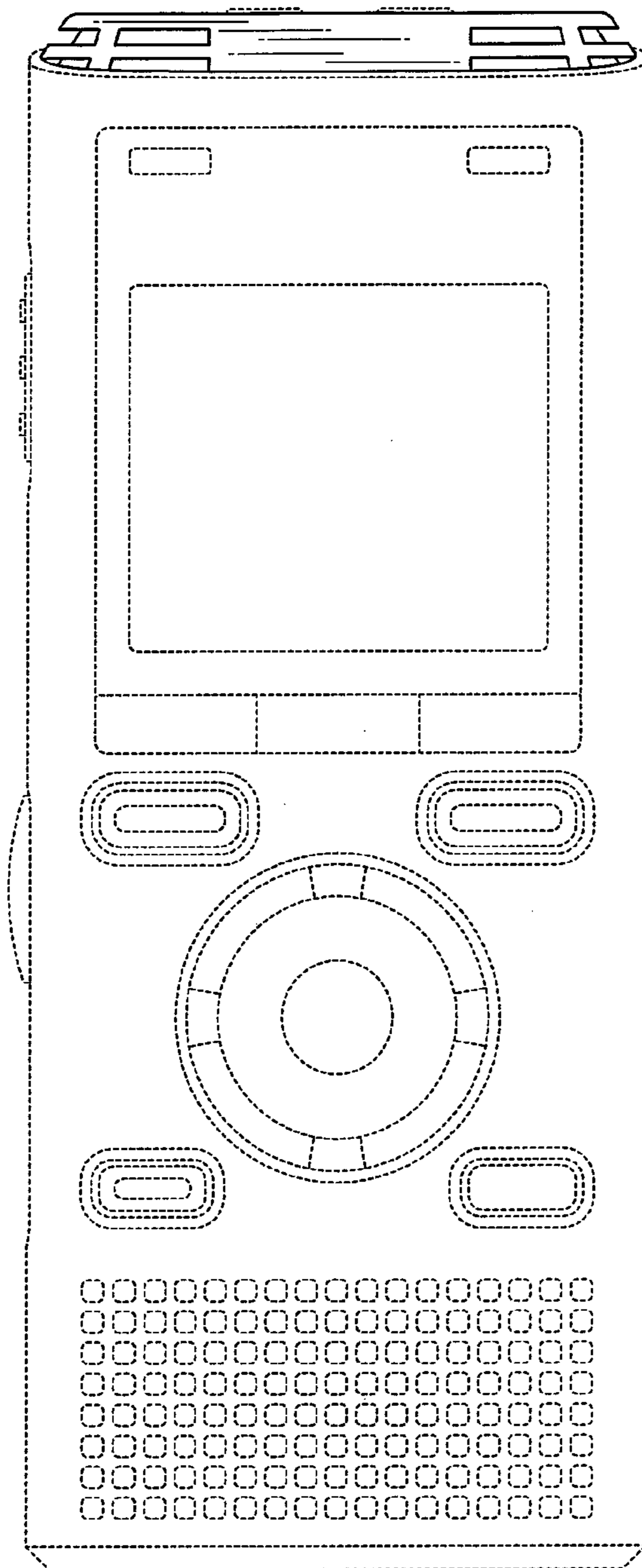


FIG.3

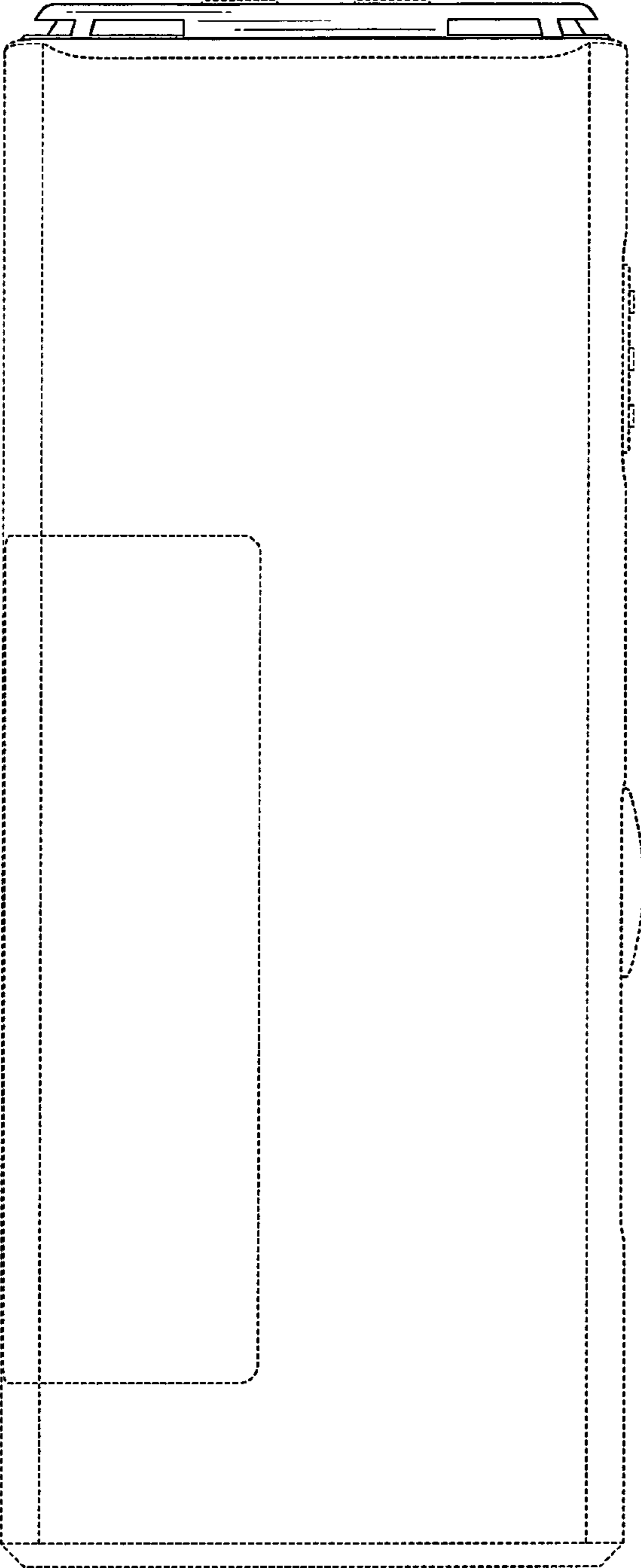


FIG.4

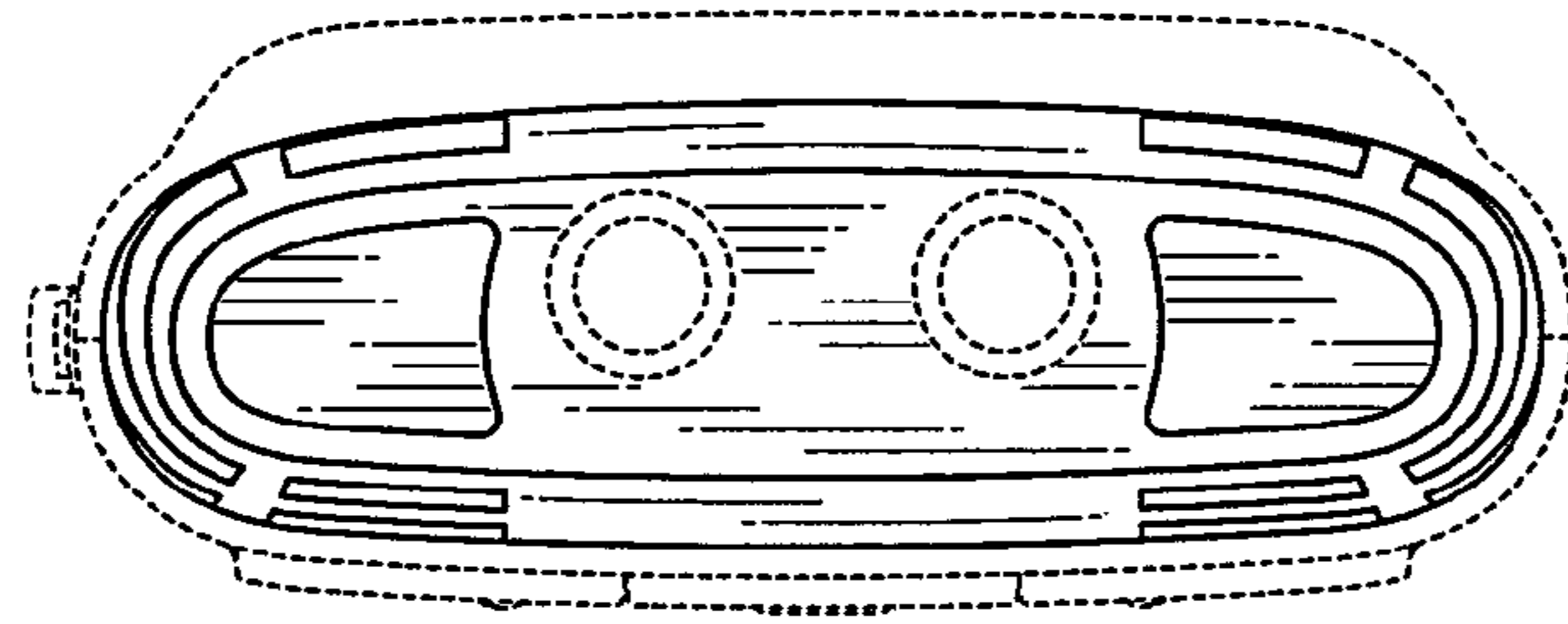


FIG.5

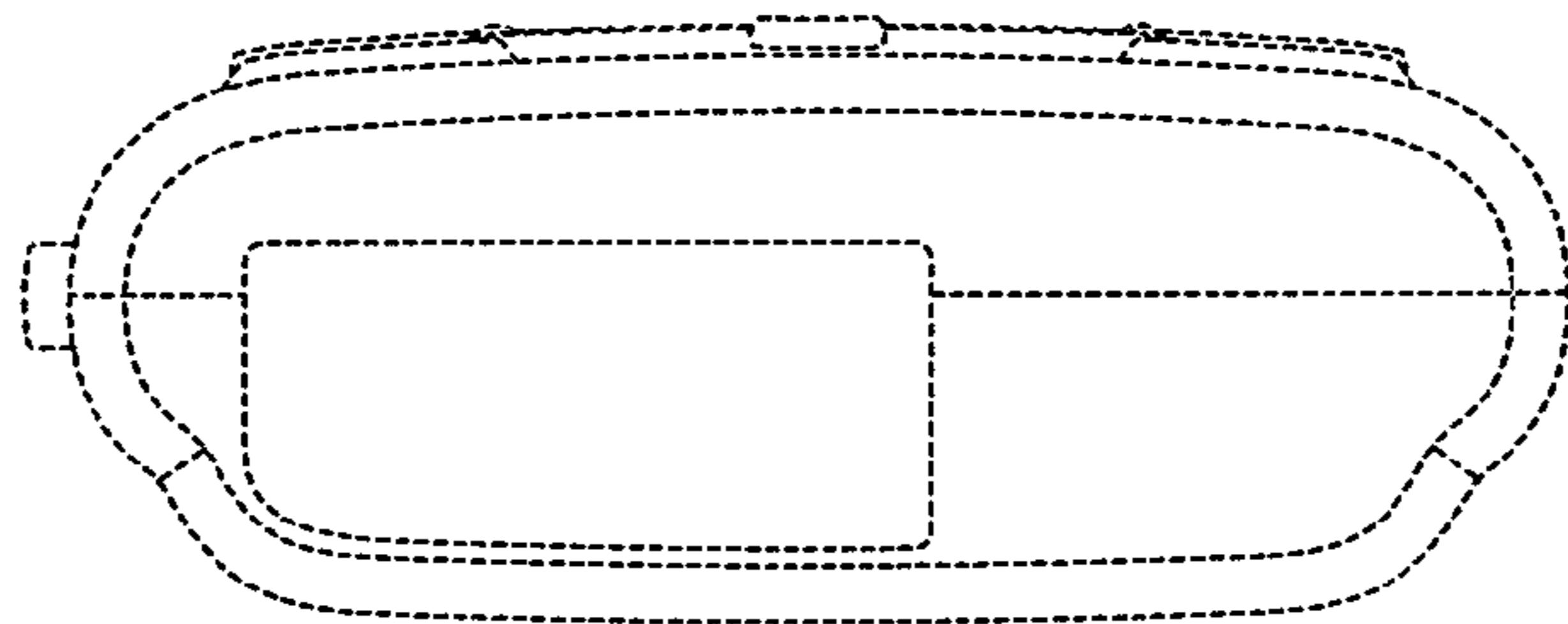


FIG.6

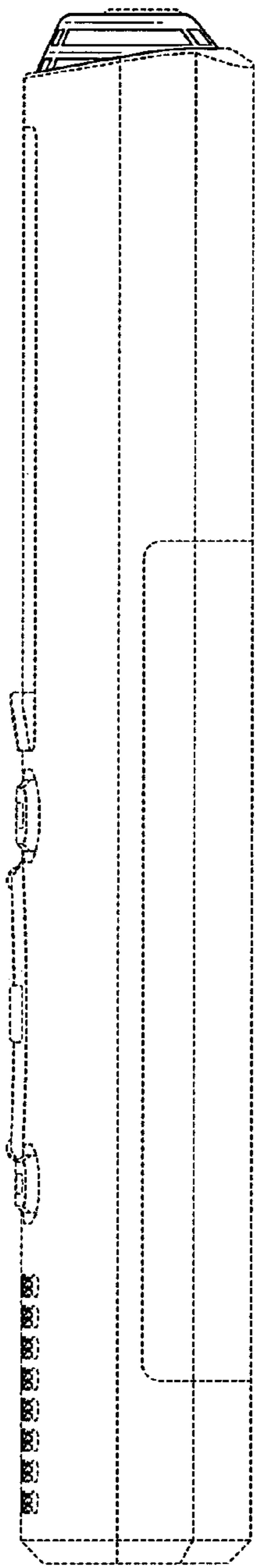


FIG.7

