



US00D710816S

(12) **United States Design Patent**
Koh

(10) **Patent No.:** **US D710,816 S**
(45) **Date of Patent:** **** Aug. 12, 2014**

(54) **MOBILE PHONE**

(71) Applicant: **Samsung Electronics Co., Ltd.**,
Suwon-si (KR)

(72) Inventor: **Min-Ah Koh**, Seoul (KR)

(73) Assignee: **Samsung Electronics Co., Ltd.**,
Suwon-si (KR)

(**) Term: **14 Years**

(21) Appl. No.: **29/464,679**

(22) Filed: **Aug. 20, 2013**

(30) **Foreign Application Priority Data**

Feb. 20, 2013 (KR) 30-2013-0008638

(51) **LOC (10) Cl.** **14-03**

(52) **U.S. Cl.**
USPC **D14/138 G**

(58) **Field of Classification Search**
USPC D14/138 G, 138 AD, 341, 346, 138 R,
D14/496, 203.1, 203.4, 203.5, 203.6, 203.7,
D14/248, 218; 455/575.1, 556.2, 575.3,
455/575.4; D21/517, 329; 379/433.01,
379/433.04; D10/65, 78; 361/679.3, 679.56
See application file for complete search history.

(56) **References Cited**

U.S. PATENT DOCUMENTS

D633,066 S * 2/2011 Park et al. D14/138 AD
D639,261 S * 6/2011 Garnham et al. D14/138 G
D644,197 S * 8/2011 Lee et al. D14/138 G
D645,010 S * 9/2011 Lee et al. D14/138 G
D652,007 S * 1/2012 Kim et al. D14/138 G
D654,047 S * 2/2012 Kim et al. D14/138 G

(Continued)

OTHER PUBLICATIONS

Samsung Galaxy Trend II Duos S7572 telephone, announced Apr. 2013, [online], [site visited Mar. 21, 2014]. Available from Internet, <URL: http://www.gsmarena.com/samsung_galaxy_trend_ii_duos_s7572-5394.php>.*

(Continued)

Primary Examiner — Jeffrey D Asch

(74) *Attorney, Agent, or Firm* — NSIP Law

(57) **CLAIM**

The ornamental design for a mobile phone, as shown and described.

DESCRIPTION

FIG. 1 is a front perspective view of a mobile phone showing my new design;

FIG. 2 is a front view thereof;

FIG. 3 is a rear view thereof;

FIG. 4 is a left-side view thereof;

FIG. 5 is a right-side view thereof;

FIG. 6 is a top view thereof;

FIG. 7 is a bottom view thereof;

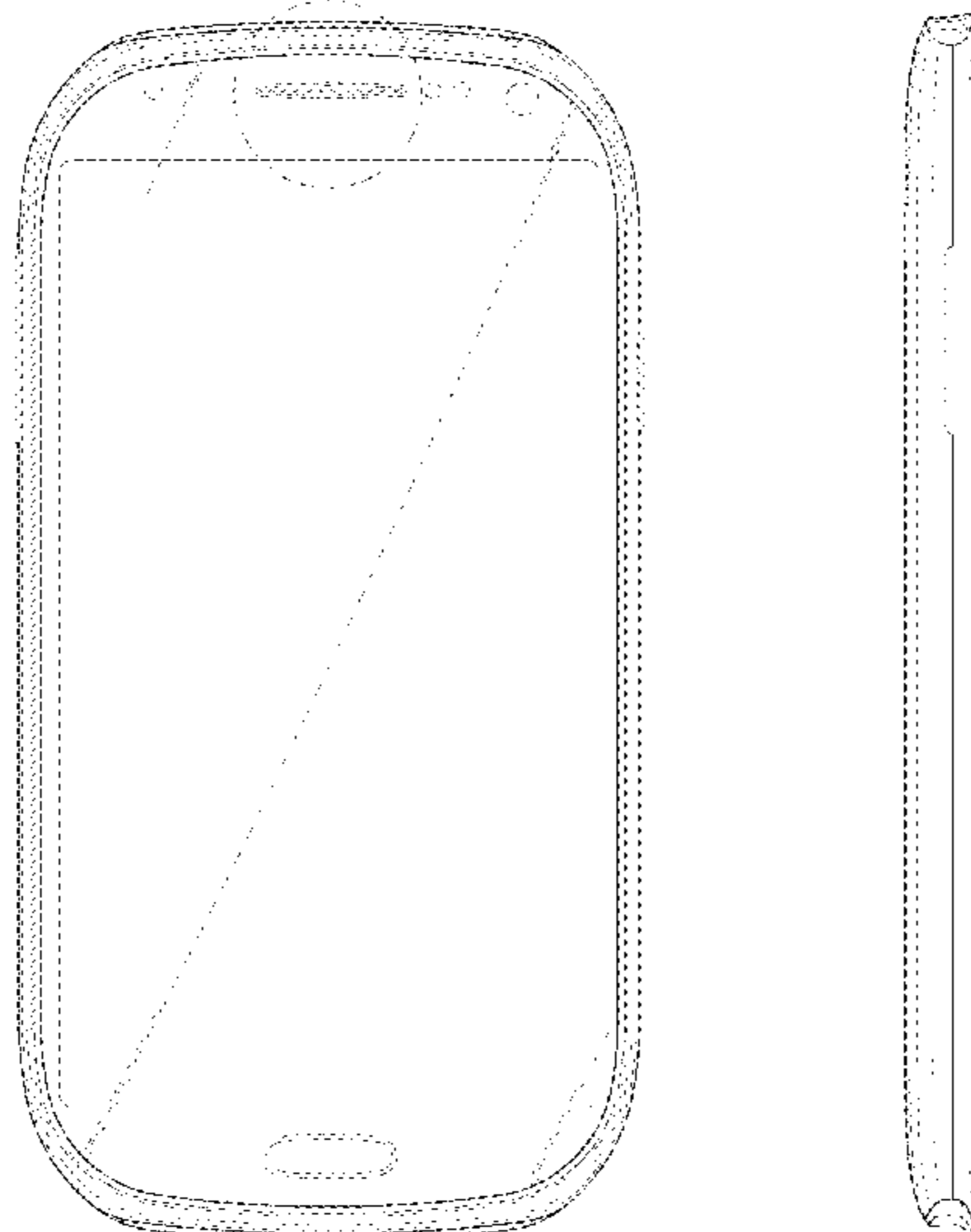
FIG. 8 is a front perspective view showing the bottom thereof; and,

FIG. 9 is an enlarged view of the encircled portion as shown in FIG. 2.

The broken lines shown in the figures that are immediately adjacent to the shaded areas and define unshaded regions, represent the bounds of the claim, while all other broken lines, including the four tiny circles at the top front near the speaker opening are directed to environment; the broken lines form no part of the claimed design.

The dot-dash broken lines encircling portions of the claimed design that are illustrated in enlargements form no part of the claimed design.

1 Claim, 6 Drawing Sheets



(56)

References Cited

U.S. PATENT DOCUMENTS

D654,048 S * 2/2012 Ichinose et al. D14/138 G
 D654,899 S * 2/2012 Jung D14/138 G
 D657,764 S * 4/2012 Hong D14/138 G
 D660,269 S * 5/2012 Zhang et al. D14/138 G
 D663,710 S * 7/2012 Park D14/138 G
 D671,086 S * 11/2012 Yu et al. D14/138 G
 D673,951 S * 1/2013 Chang et al. D14/341
 D676,824 S * 2/2013 Lee D14/138 G
 D680,992 S * 4/2013 Suk D14/138 G
 D681,584 S * 5/2013 Sung D14/138 G
 D681,590 S * 5/2013 Han D14/138 G
 D683,323 S * 5/2013 Park D14/138 G
 D686,180 S * 7/2013 Kim et al. D14/138 G
 D687,002 S * 7/2013 Song et al. D14/138 G
 D687,402 S * 8/2013 Park D14/138 G
 D687,792 S * 8/2013 Kim et al. D14/138 G
 D687,798 S * 8/2013 Park et al. D14/138 G
 D687,800 S * 8/2013 Lee D14/138 G
 8,508,927 B2 * 8/2013 Chen 361/679.3
 D689,049 S * 9/2013 Chang et al. D14/341
 D695,252 S * 12/2013 Song et al. D14/138 G
 D695,253 S * 12/2013 Song et al. D14/138 G
 D699,700 S * 2/2014 Yoo et al. D14/138 G
 D700,163 S * 2/2014 Huang et al. D14/138 G

OTHER PUBLICATIONS

Samsung Galaxy S Duos 2 S7582 telephone, announced Nov. 2013, [online], [site visited Mar. 21, 2014]. Available from Internet, <URL: http://www.gsmarena.com/samsung_galaxy_s_duos_2_s7582-5876.php>.*
 Samsung Galaxy Exhibit T599 telephone, announced May 2013, [online], [site visited Mar. 21, 2014]. Available from Internet, <URL: http://www.gsmarena.com/samsung_galaxy_exhibit_t599-5468.php>.*
 Samsung I8190 Galaxy S III mini telephone, announced Oct. 2012, [online], [site visited Mar. 21, 2014]. Available from Internet, <URL: http://www.gsmarena.com/samsung_i8190_galaxy_s_iii_mini-5033.php>.*
 Samsung Galaxy Ace 2 I8160 telephone, announced Feb. 2012, [online], [site visited Mar. 21, 2014]. Available from Internet, <URL: http://www.gsmarena.com/samsung_galaxy_ace_2_i8160-4559.php>.*
 Samsung Galaxy Young S6310 telephone, announced Feb. 2013, [online], [site visited Mar. 21, 2014]. Available from Internet, <URL: http://www.gsmarena.com/samsung_galaxy_young_s6310-5280.php>.*
 Nokia Lumia 510 telephone, announced Oct. 2012, [online], [site visited Mar. 21, 2014]. Available from Internet, <URL: http://www.gsmarena.com/nokia_lumia_510-5069.php>.*

* cited by examiner

FIG. 1

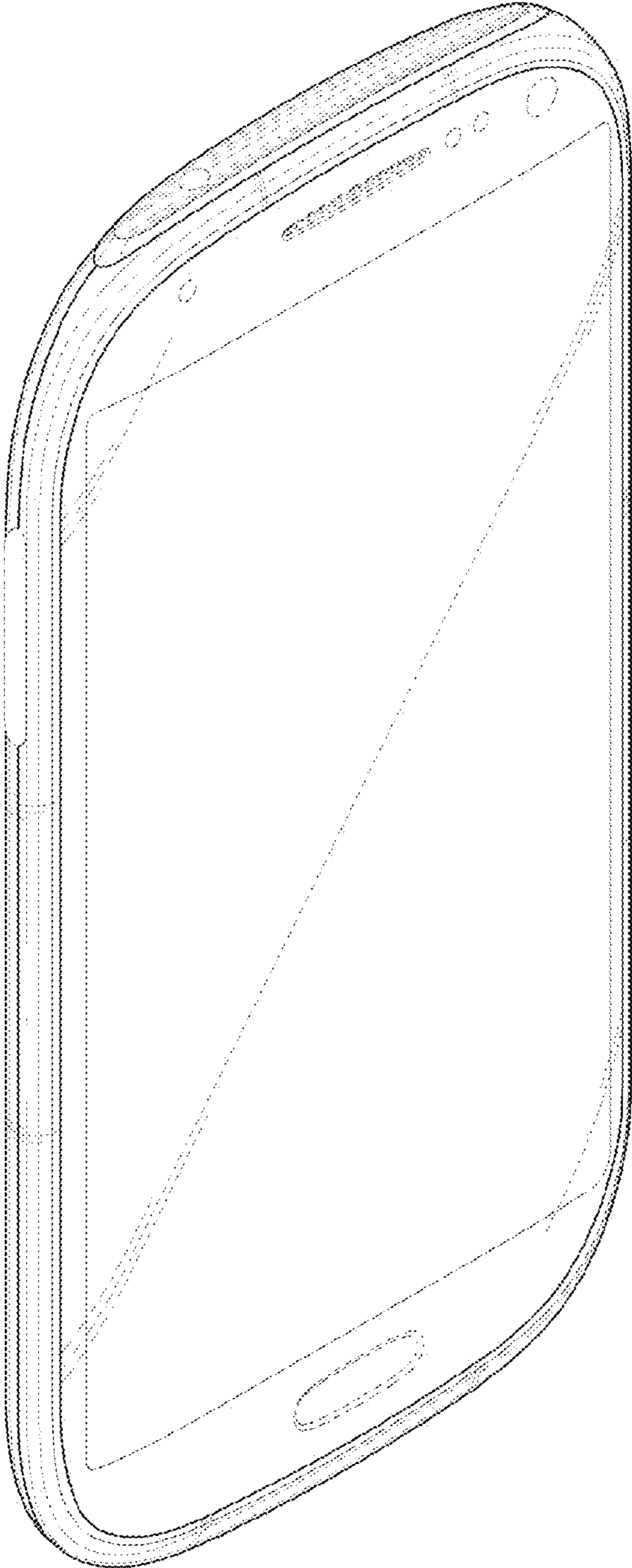


FIG. 2

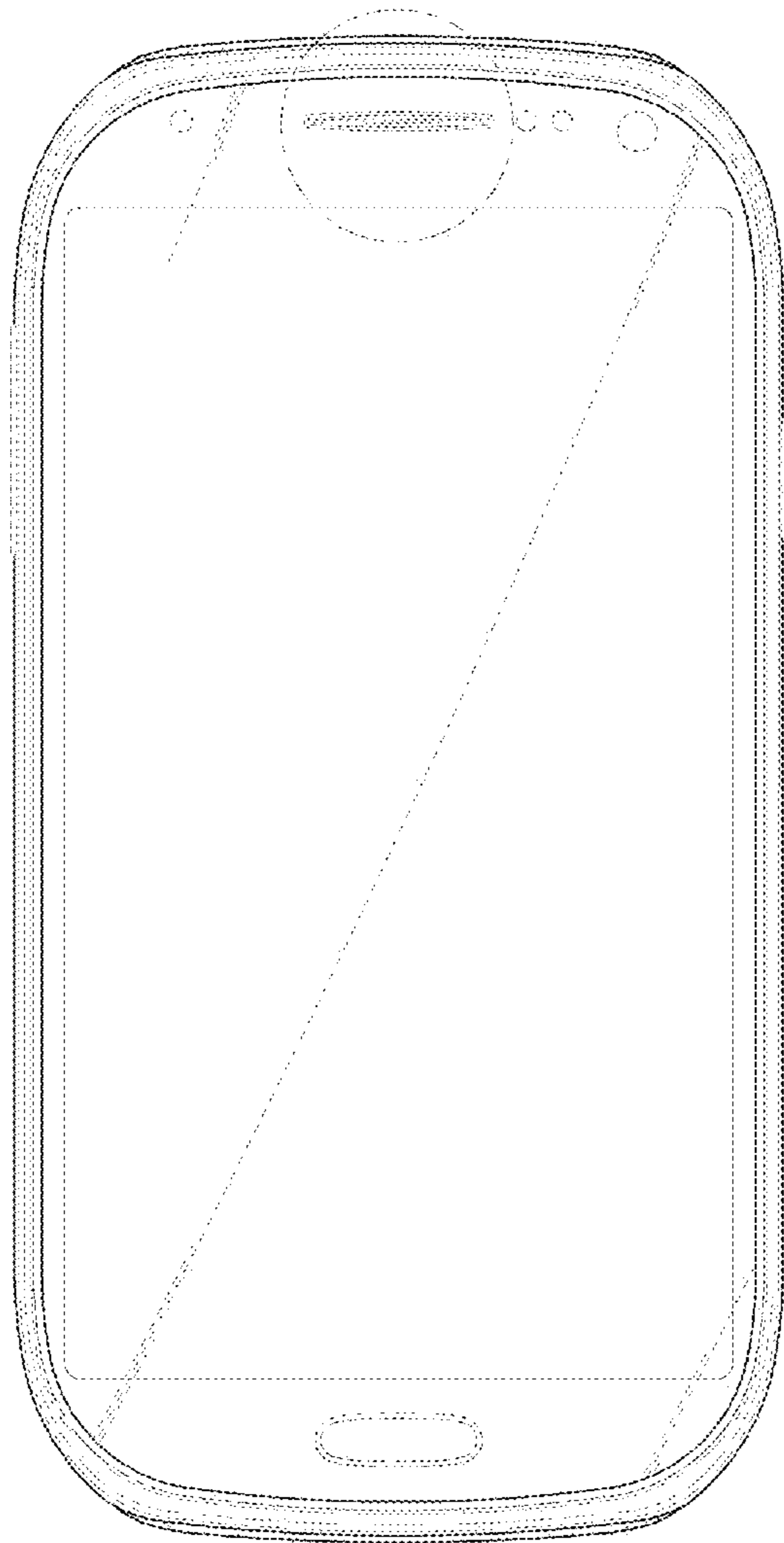


FIG. 3

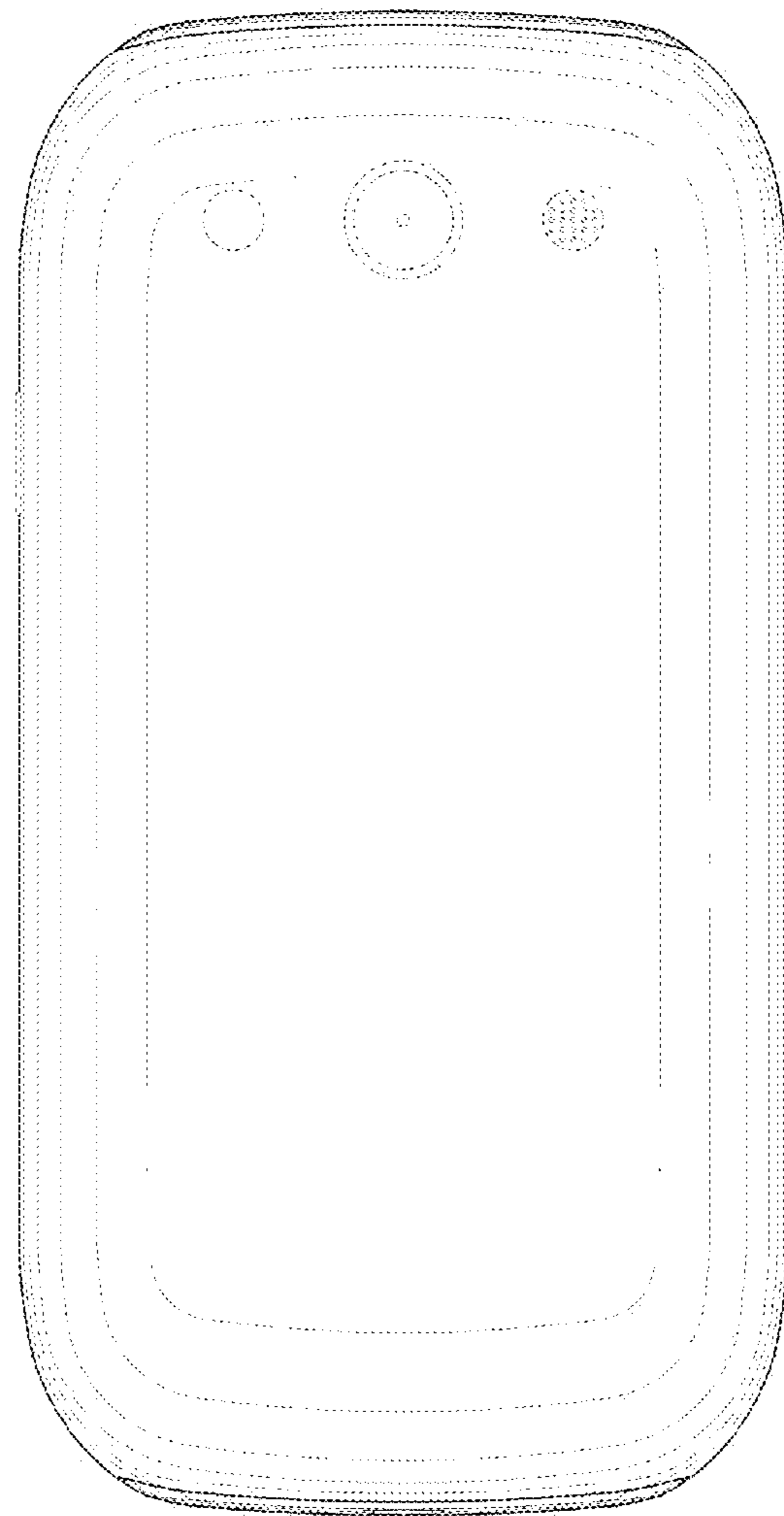


FIG. 4

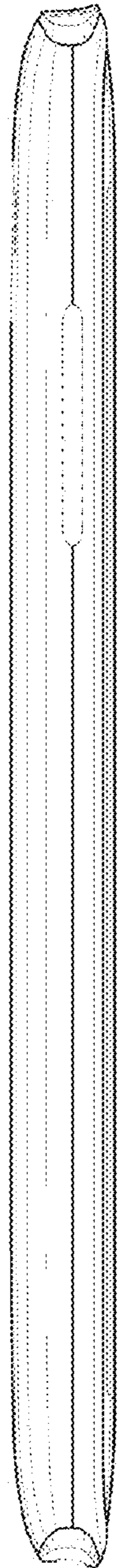


FIG. 5

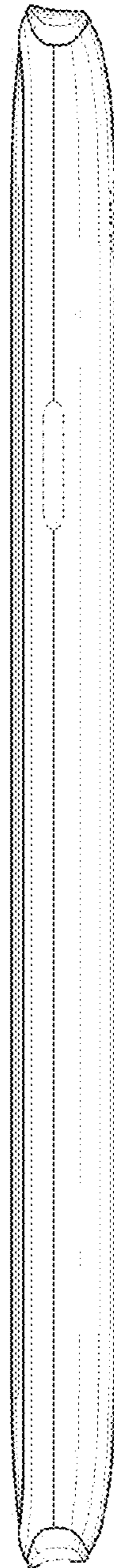


FIG. 6

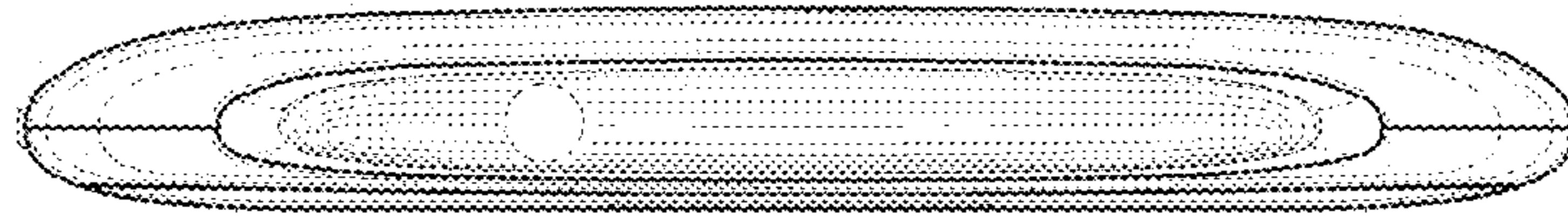


FIG. 7

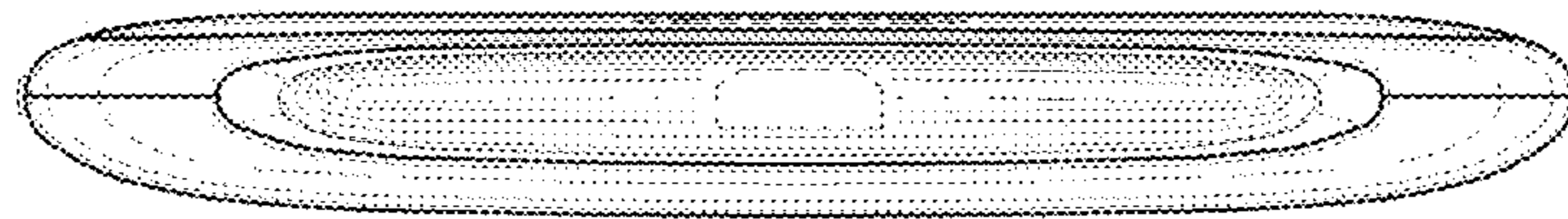


FIG. 8

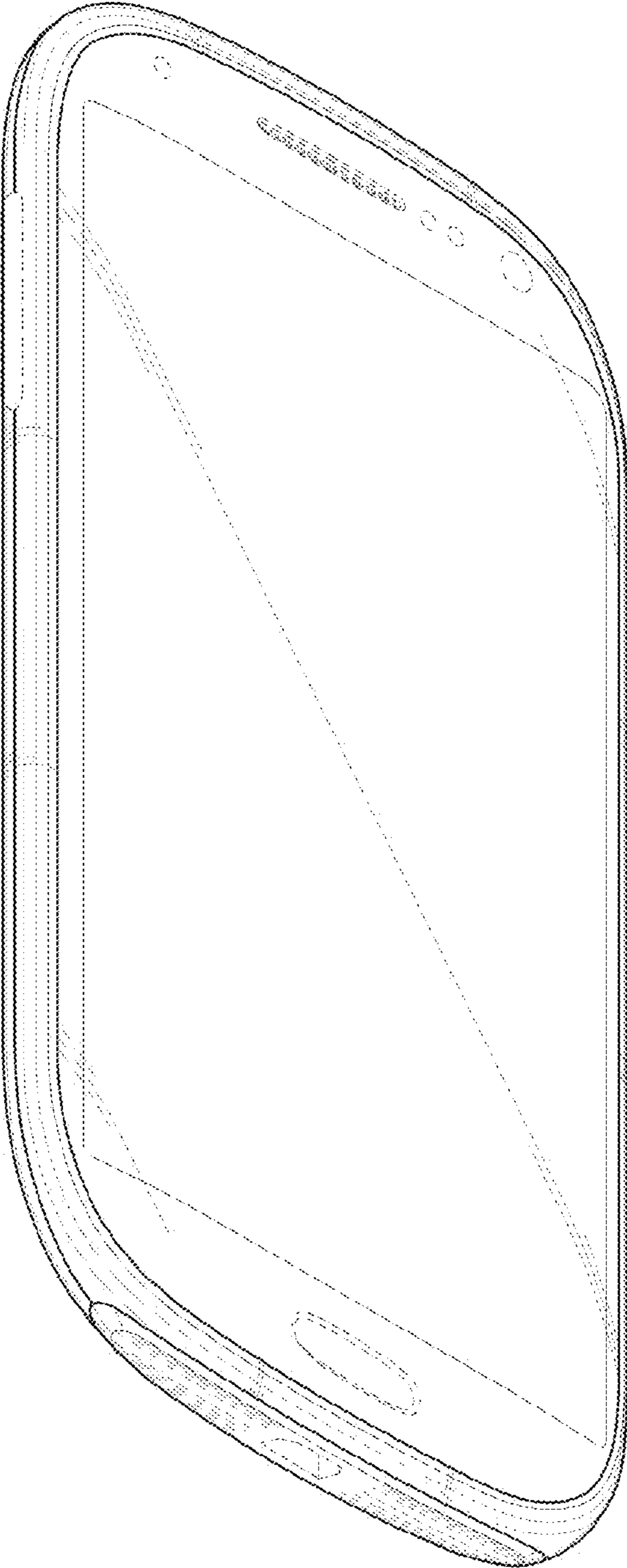


FIG. 9

