



US00D710809S

(12) **United States Design Patent**
Low et al.

(10) **Patent No.:** **US D710,809 S**
(45) **Date of Patent:** **** Aug. 12, 2014**

(54) **LIGHT EMITTING DIODE**

(75) Inventors: **Tek Beng Low**, Melaka (MY); **Chee Sheng Lim**, Melaka (MY)

(73) Assignee: **DOMINANT Opto Technologies Sdn. Bhd.** (MY)

(**) Term: **14 Years**

(21) Appl. No.: **29/426,867**

(22) Filed: **Jul. 11, 2012**

(30) **Foreign Application Priority Data**

Jan. 12, 2012 (MY) 12-00063-0101

(51) **LOC (10) Cl.** **13-03**

(52) **U.S. Cl.**
USPC **D13/180**

(58) **Field of Classification Search**
CPC ... H01L 25/167; H01L 25/0753; H01L 27/15;
H01L 27/156; H01L 31/02; H01L 33/00;
H01L 33/04; H01L 33/08; H01L 33/10;
H01L 33/20; H01L 33/38; H01L 33/42;
H01L 33/4862; H01L 33/483; H01L 33/486
USPC D13/180; D26/1; 257/79, 80, 81, 88,
257/89, 95, 98, 99, 100, E33.058; 313/483,
313/498, 500; 362/555, 800
See application file for complete search history.

(56) **References Cited**

U.S. PATENT DOCUMENTS

D490,387 S * 5/2004 Yagi D13/182
D491,899 S * 6/2004 Yagi D13/180
D505,397 S * 5/2005 Asakawa D13/180
D576,966 S * 9/2008 Ng et al. D13/180
D595,244 S * 6/2009 In et al. D13/180

D596,591 S * 7/2009 In et al. D13/180
D606,950 S * 12/2009 Ariizumi D13/180
D611,011 S * 3/2010 Ariizumi D13/180
D614,591 S * 4/2010 Park et al. D13/180
D621,800 S * 8/2010 Hsieh D13/180
D621,801 S * 8/2010 Hsieh D13/180
7,815,343 B2 * 10/2010 Nii et al. 362/311.03
2004/0201028 A1 * 10/2004 Waitl et al. 257/99
2006/0022215 A1 * 2/2006 Arndt et al. 257/99
2007/0252250 A1 * 11/2007 Hui et al. 257/672
2011/0037083 A1 * 2/2011 Chan et al. 257/89
2011/0180840 A1 * 7/2011 Kim et al. 257/99
2012/0056218 A1 * 3/2012 Abdul Karim et al. 257/91
2012/0104427 A1 * 5/2012 Chan et al. 257/89
2012/0153334 A1 * 6/2012 Park et al. 257/98
2012/0307481 A1 * 12/2012 Joo et al. 362/97.1
2013/0134454 A1 * 5/2013 Chan et al. 257/88

* cited by examiner

Primary Examiner — Selina Sikder

(74) *Attorney, Agent, or Firm* — Finnegan, Henderson, Farabow, Garrett & Dunner, LLP

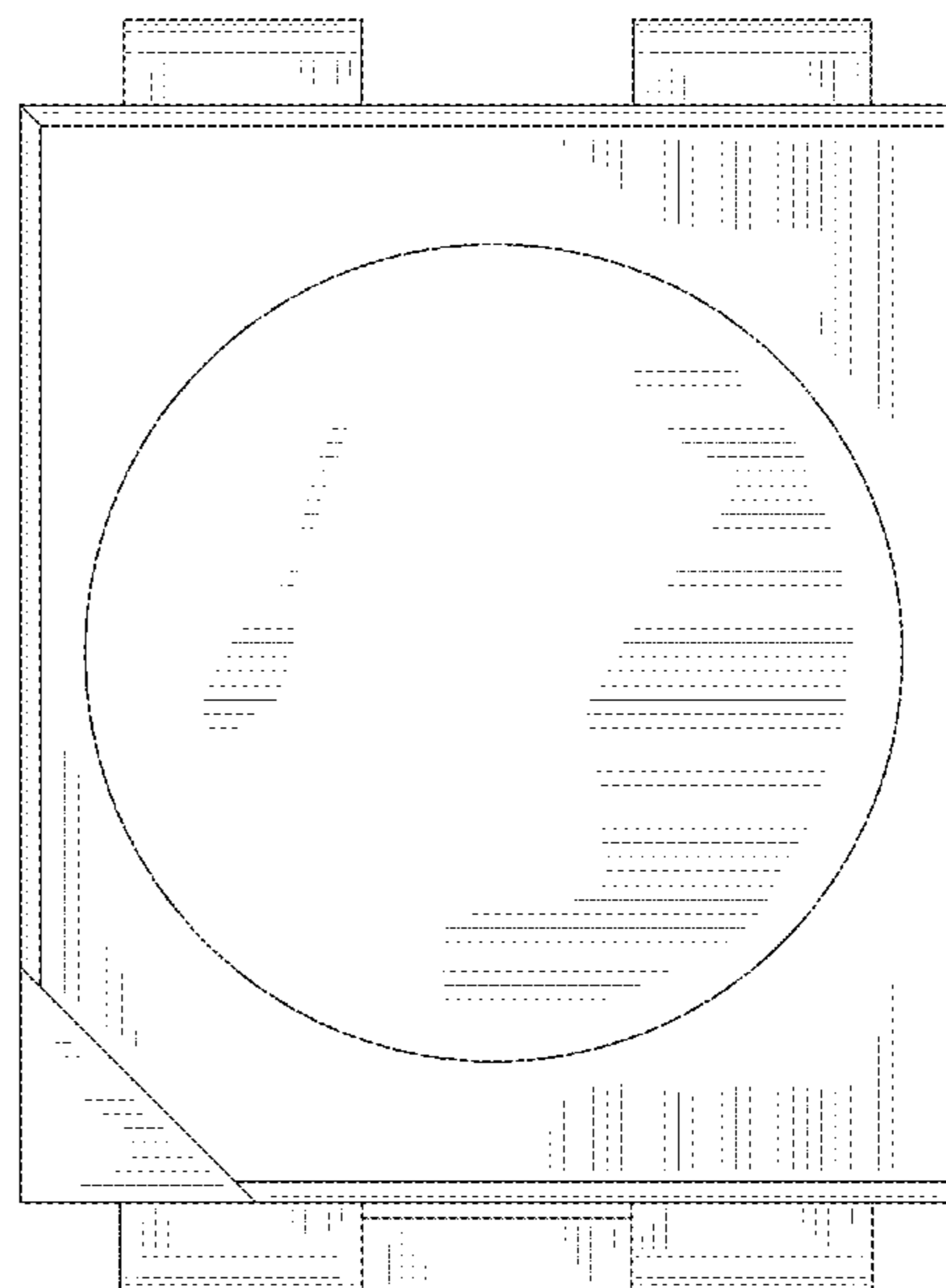
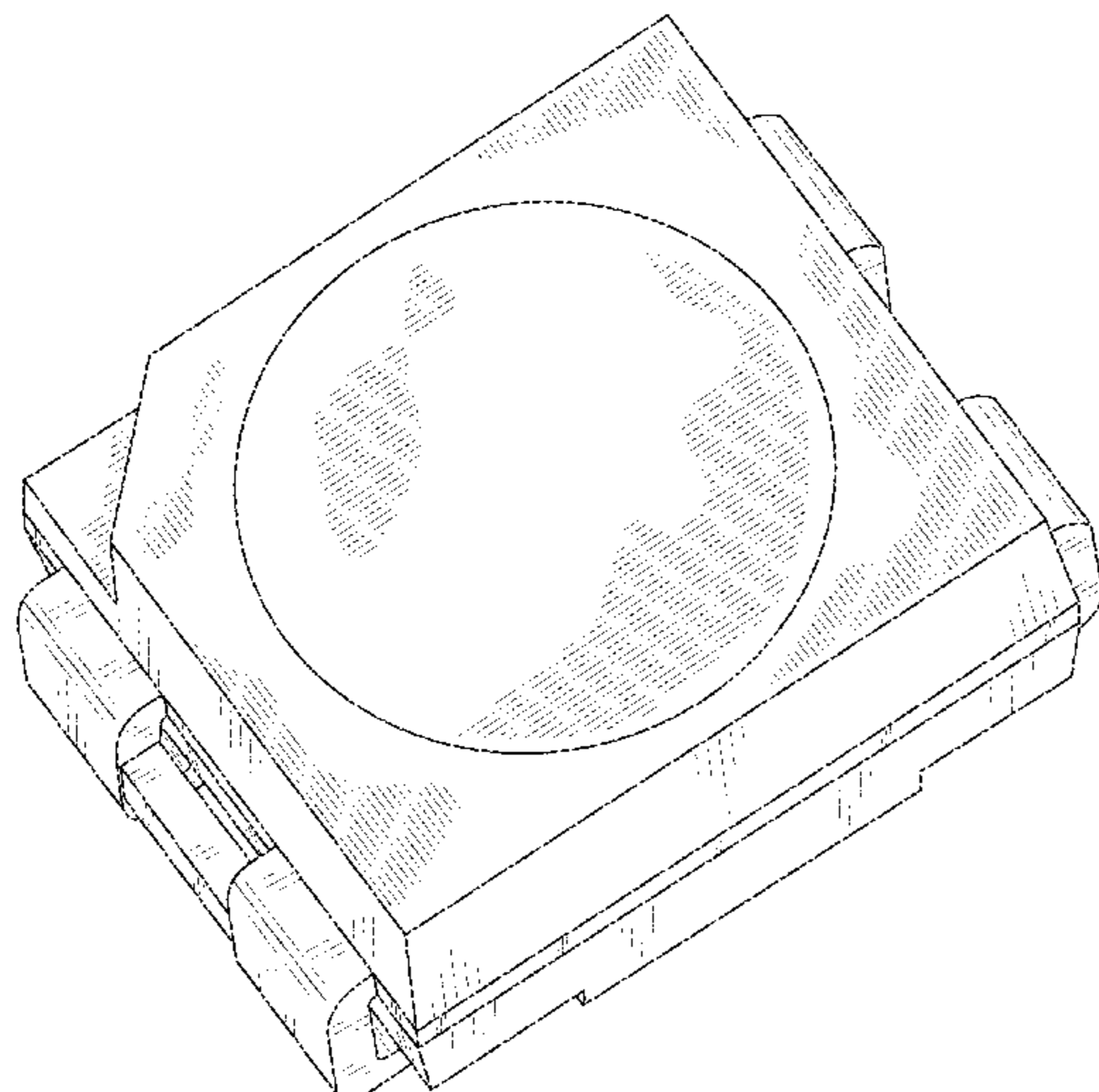
(57) **CLAIM**

The ornamental design for a light emitting diode, as shown and described.

DESCRIPTION

FIG. 1 is a perspective view of a light emitting diode showing our new design;
FIG. 2 is a front view thereof;
FIG. 3 is a rear view thereof;
FIG. 4 is a left side elevation view thereof;
FIG. 5 is a right side elevation view thereof;
FIG. 6 is a top plan view thereof; and,
FIG. 7 is a bottom view thereof wherein the broken lines are shown for illustrative purpose only and forms no part of the claimed design.

1 Claim, 7 Drawing Sheets



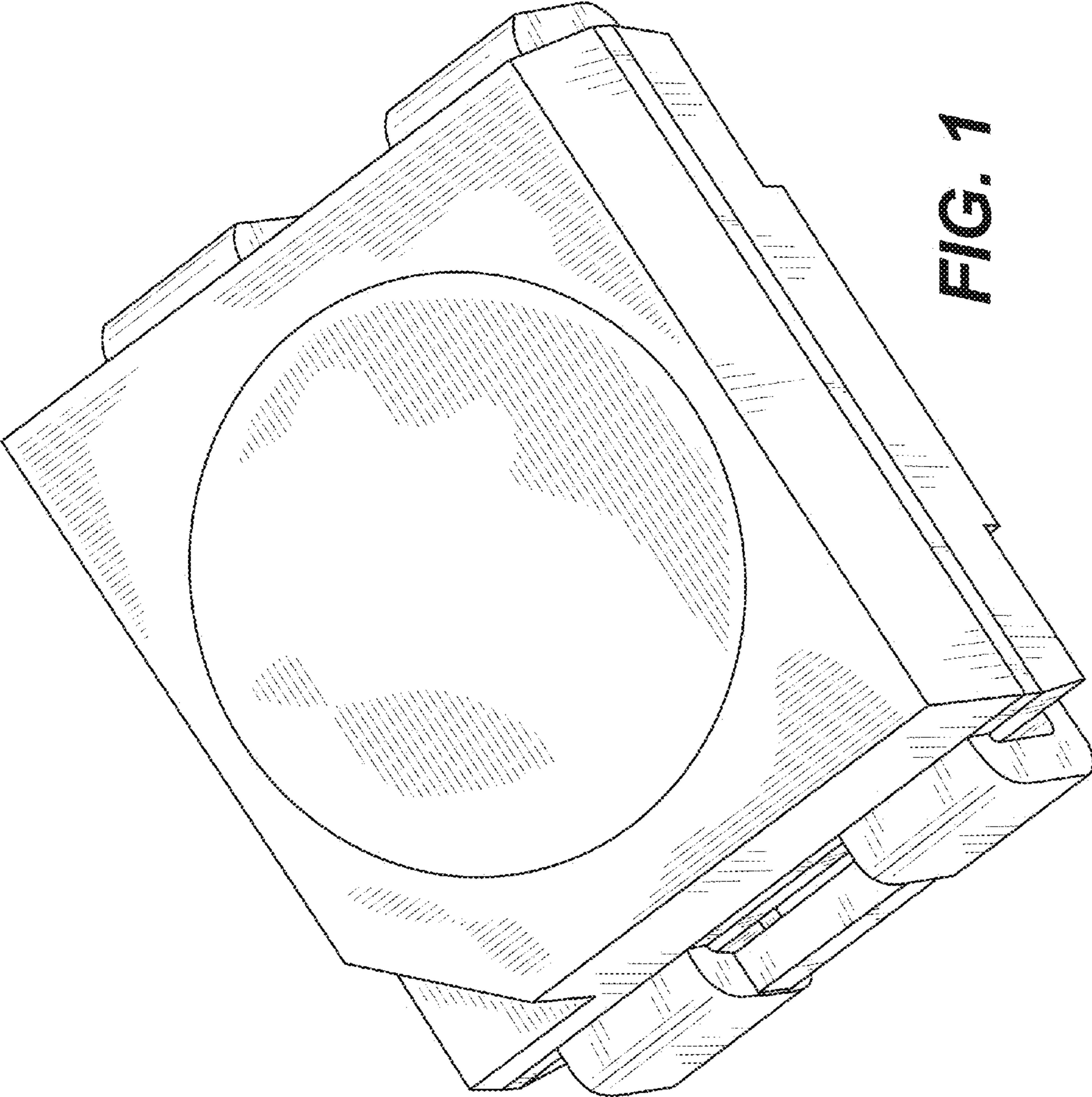


FIG. 1



FIG. 2

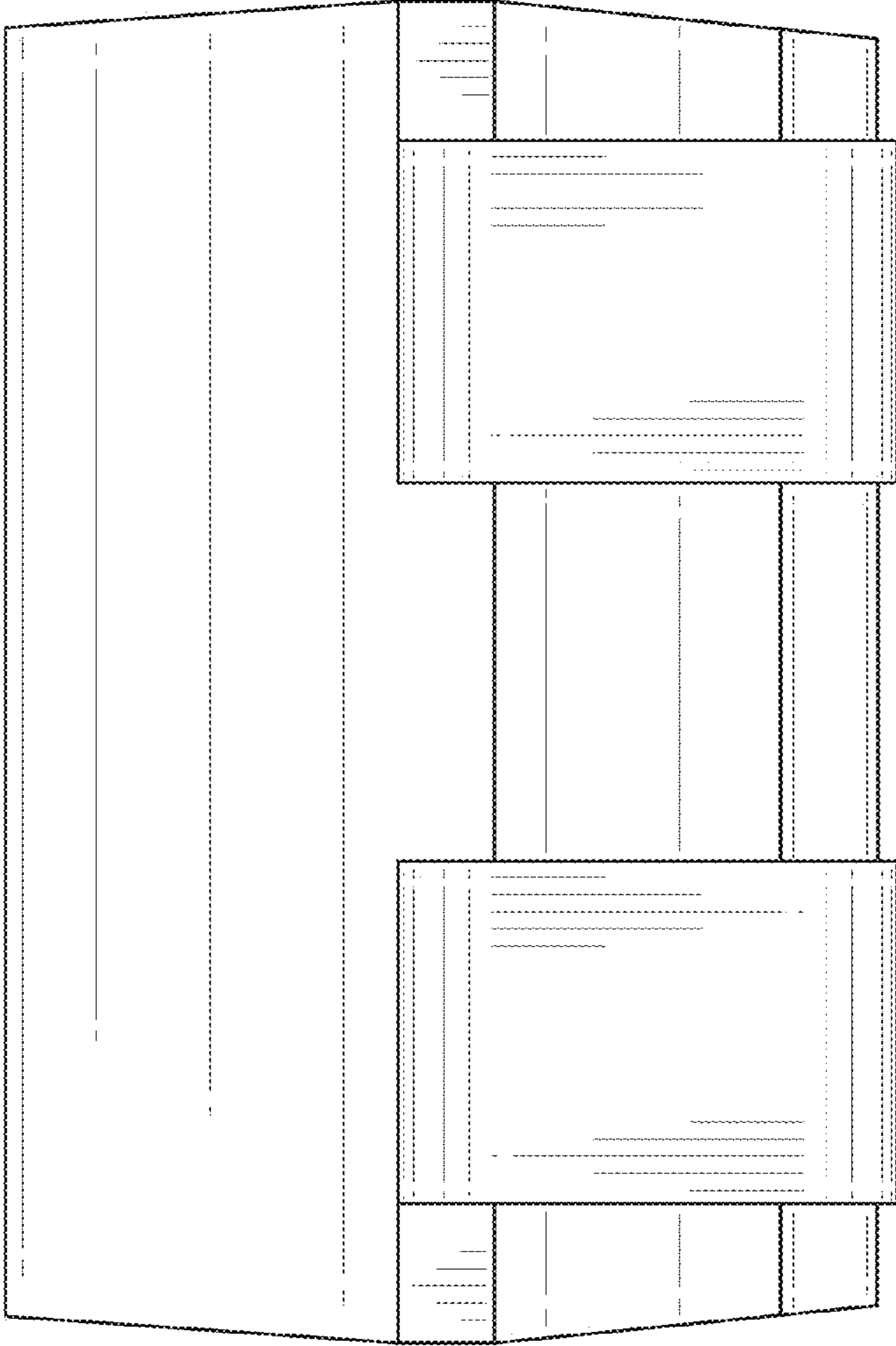


FIG. 3

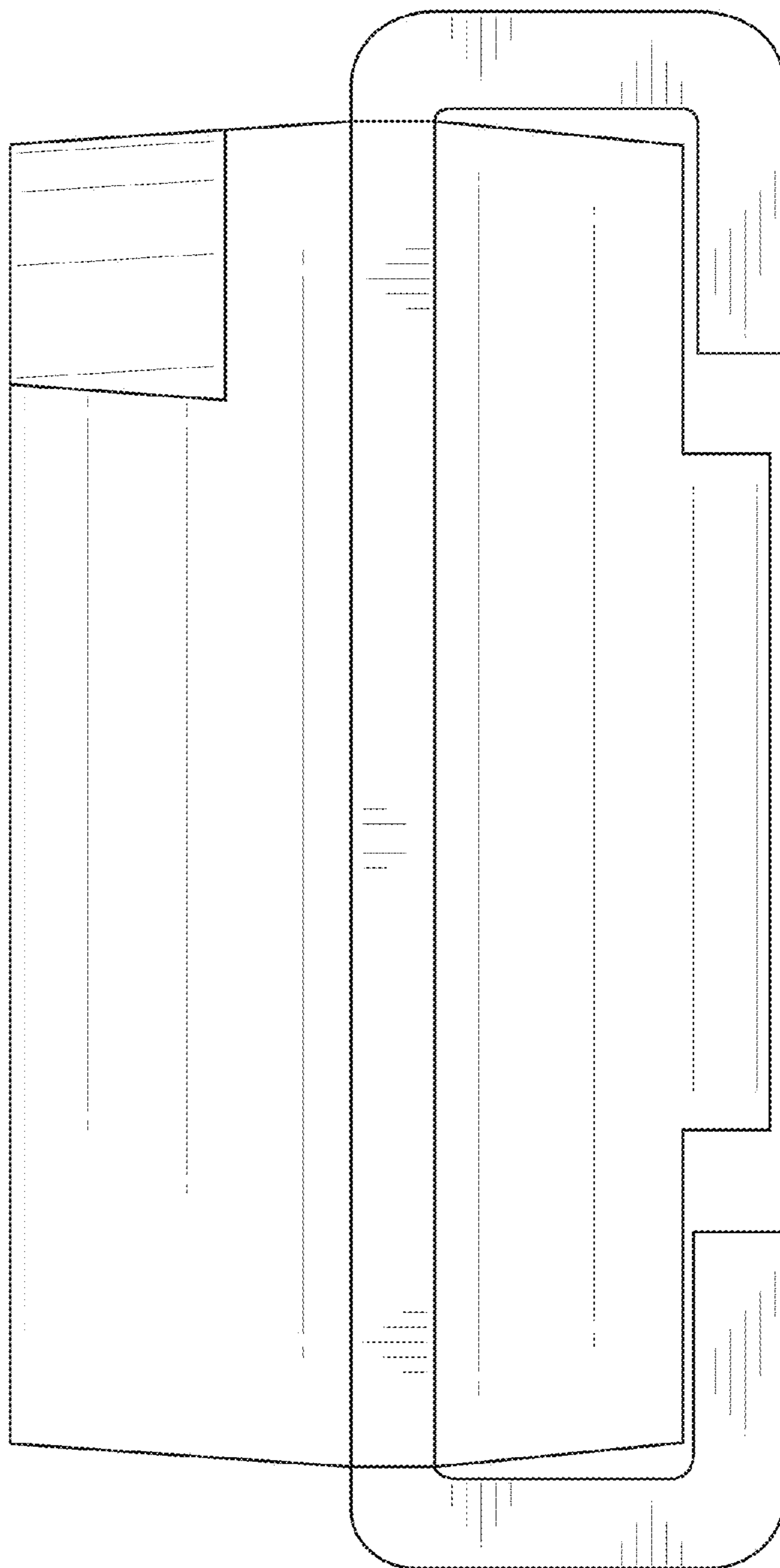


FIG. 4

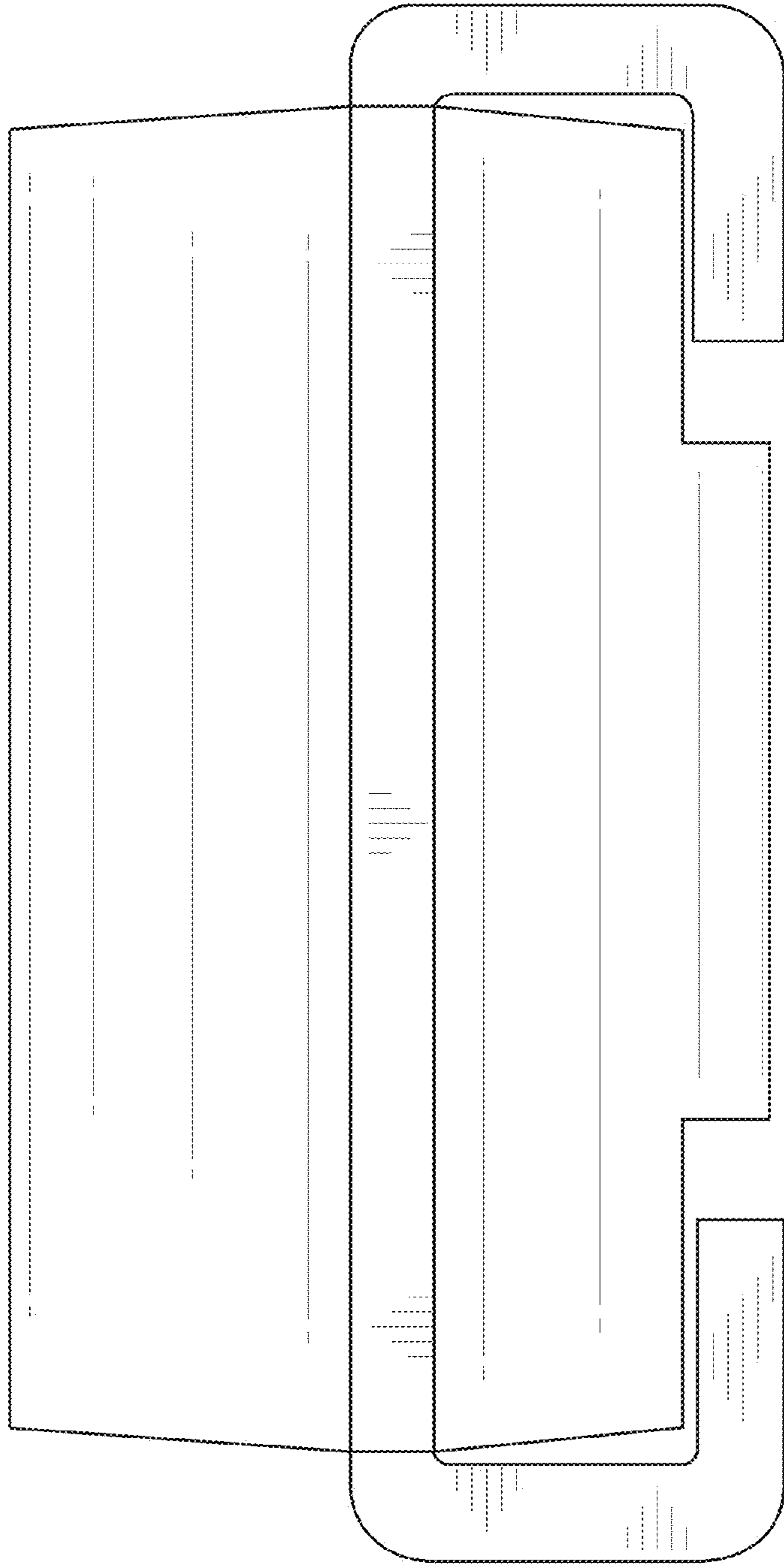


FIG. 5

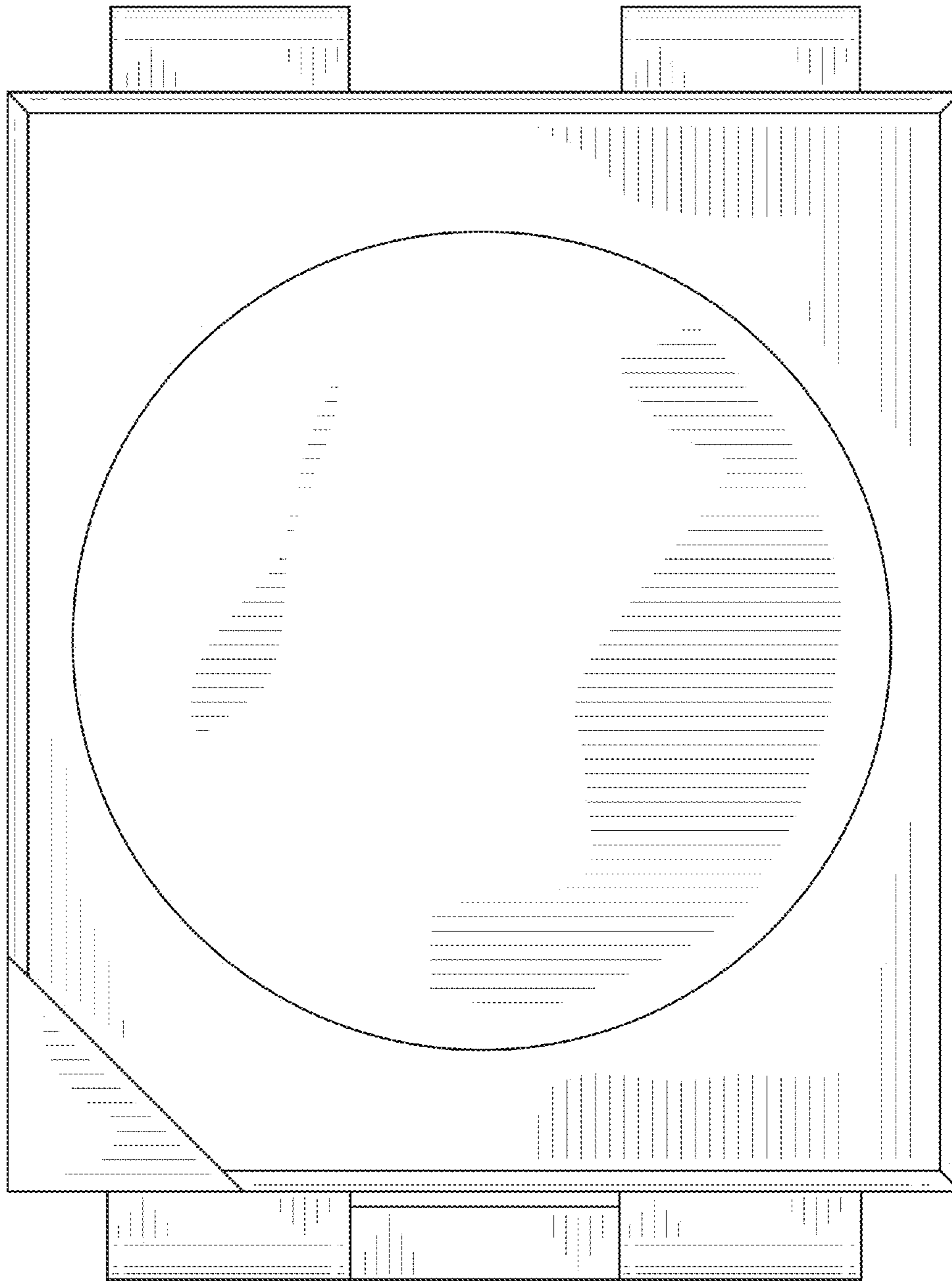


FIG. 6

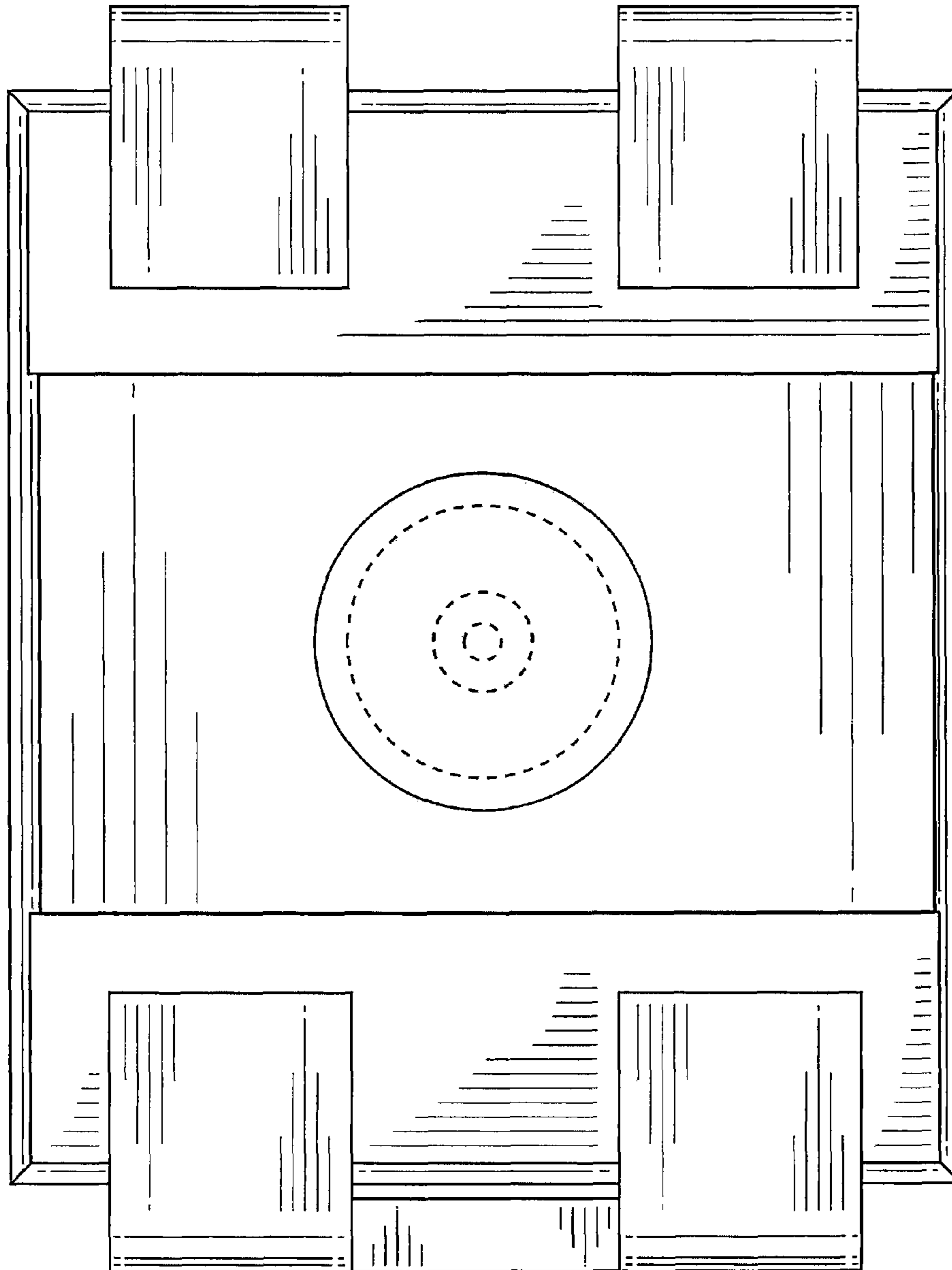


FIG. 7