



US00D710807S

(12) **United States Design Patent**
Arai et al.

(10) **Patent No.:** **US D710,807 S**

(45) **Date of Patent:** **** Aug. 12, 2014**

(54) **ELECTRICAL CONNECTOR**

(71) Applicant: **Hosiden Corporation**, Yao (JP)

(72) Inventors: **Junichi Arai**, Isesaki (JP); **Takao Asano**, Isesaki (JP)

(73) Assignee: **Hosiden Corporation**, Yao-shi (JP)

(**) Term: **14 Years**

(21) Appl. No.: **29/467,960**

(22) Filed: **Sep. 25, 2013**

(30) **Foreign Application Priority Data**

Mar. 26, 2013 (JP) D2013-006552

(51) **LOC (10) Cl.** **13-03**

(52) **U.S. Cl.**
USPC **D13/147**

(58) **Field of Classification Search**
USPC D13/147, 154, 184, 199; 439/79, 108,
439/180, 246, 374, 378, 488, 527, 529, 530,
439/533, 567, 607.1, 607.4, 607.5, 607.17,
439/607.25, 607.34, 607.41, 607.53, 668,
439/680, 892, 894

See application file for complete search history.

(56) **References Cited**

U.S. PATENT DOCUMENTS

D462,663 S * 9/2002 Hagiwara D13/147
D478,050 S * 8/2003 Nishio et al. D13/147

D481,681 S * 11/2003 Takahashi D13/147
D523,400 S * 6/2006 Shang-Yen et al. D13/147
D523,813 S * 6/2006 He et al. D13/147
D599,294 S * 9/2009 Yang et al. D13/147
D618,625 S * 6/2010 Nagata et al. D13/147
D637,558 S * 5/2011 Wada et al. D13/147
D637,559 S * 5/2011 Wada et al. D13/147
D637,958 S * 5/2011 Asano et al. D13/147
D639,245 S * 6/2011 Wada et al. D13/147

* cited by examiner

Primary Examiner — Daniel Bui

(74) *Attorney, Agent, or Firm* — Kratz, Quintos & Hanson, LLP

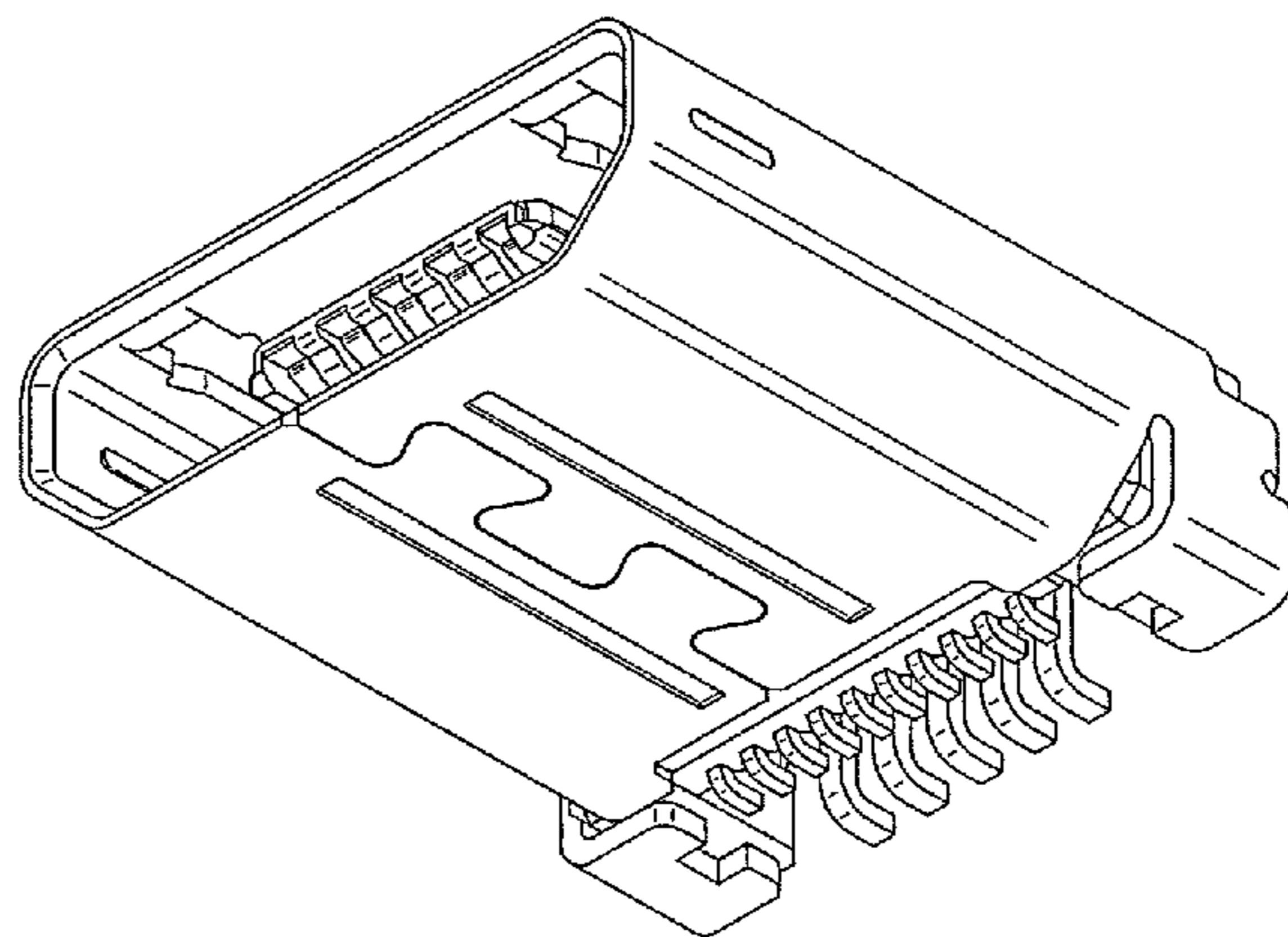
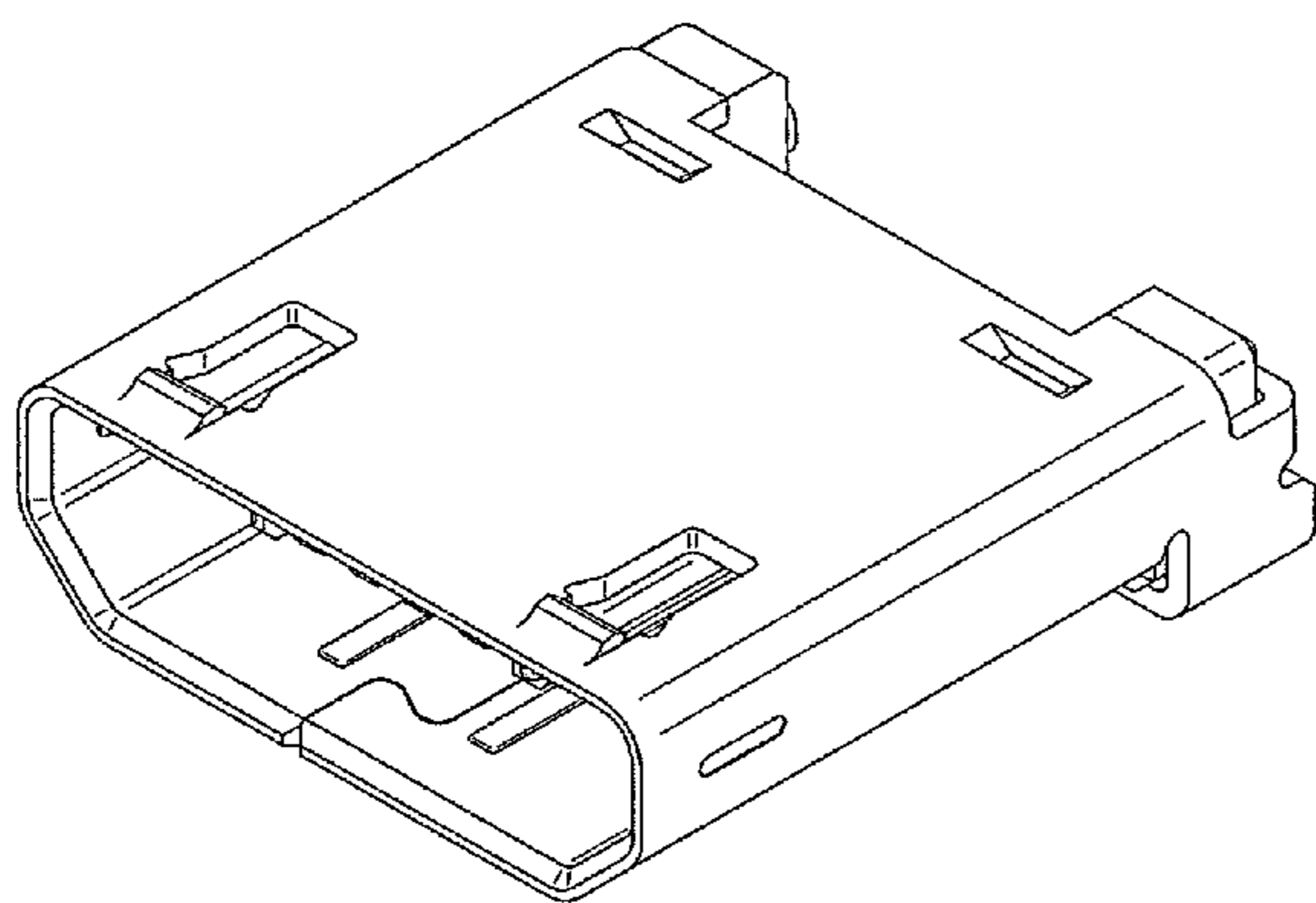
(57) **CLAIM**

The ornamental design of an electrical connector, as shown and described.

DESCRIPTION

FIG. 1 is a front elevation view of an electrical connector showing our new design;
FIG. 2 is a back elevational view thereof;
FIG. 3 is a top plan view thereof;
FIG. 4 is a bottom plan view thereof;
FIG. 5 is a right side elevational view thereof; the left side elevational view being a mirror image thereof;
FIG. 6 is a top, front, and right side perspective view thereof;
FIG. 7 is a bottom, front, and right side perspective view thereof;
FIG. 8 is a cross-sectional view thereof, taken along the line 8-8 of FIG. 1; and,
FIG. 9 is a cross sectional view thereof, taken along the line 9-9 in FIG. 1.

1 Claim, 9 Drawing Sheets



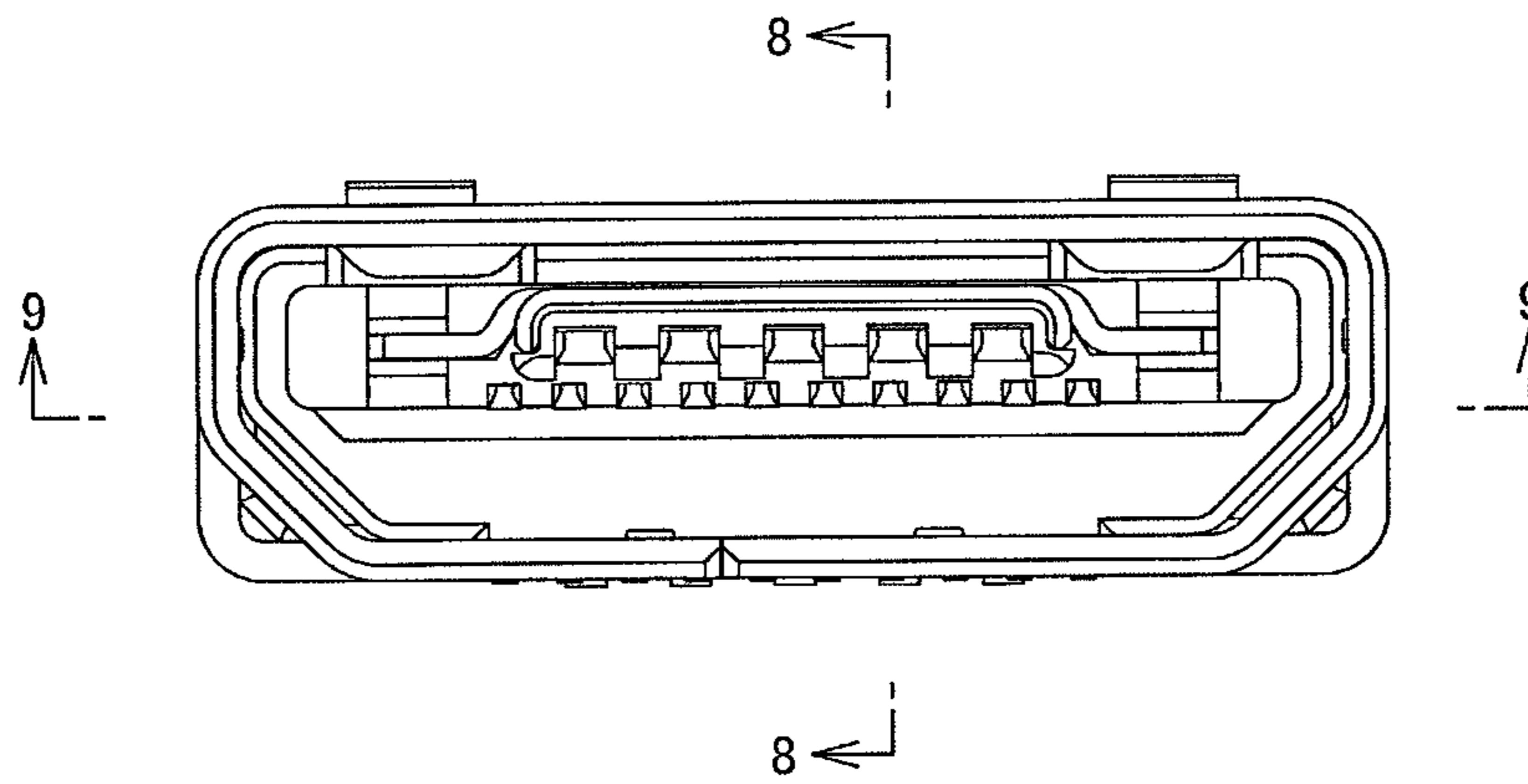


FIG. 1

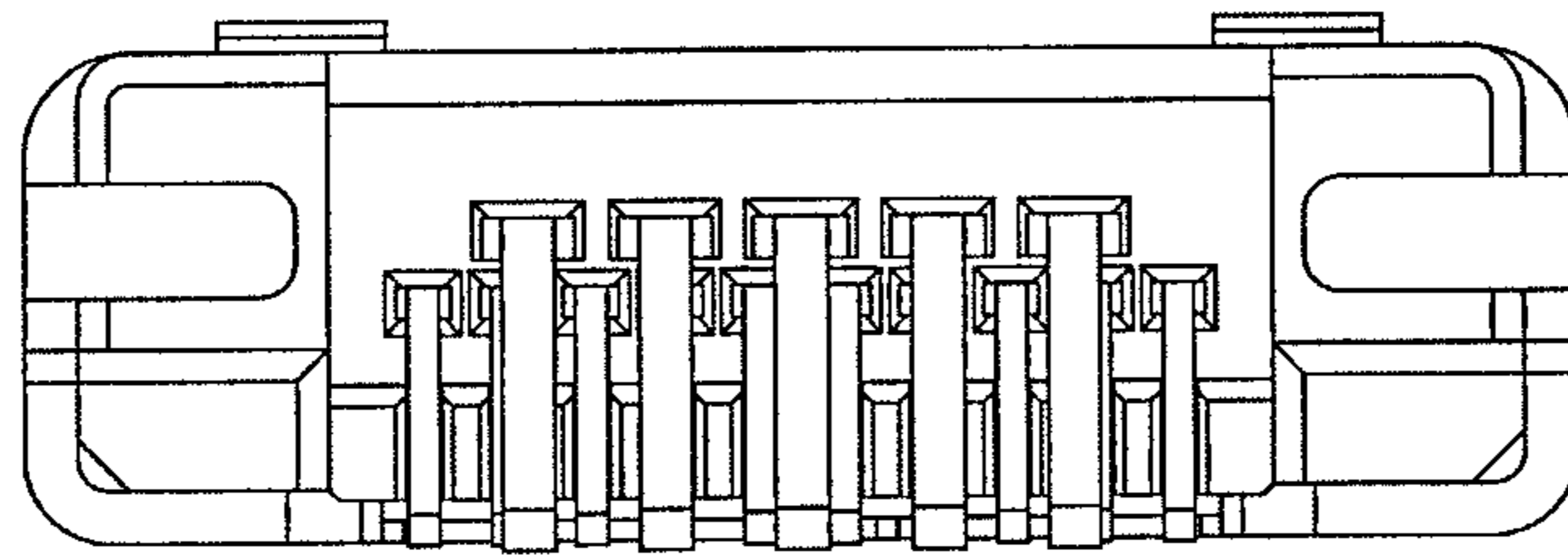


FIG. 2

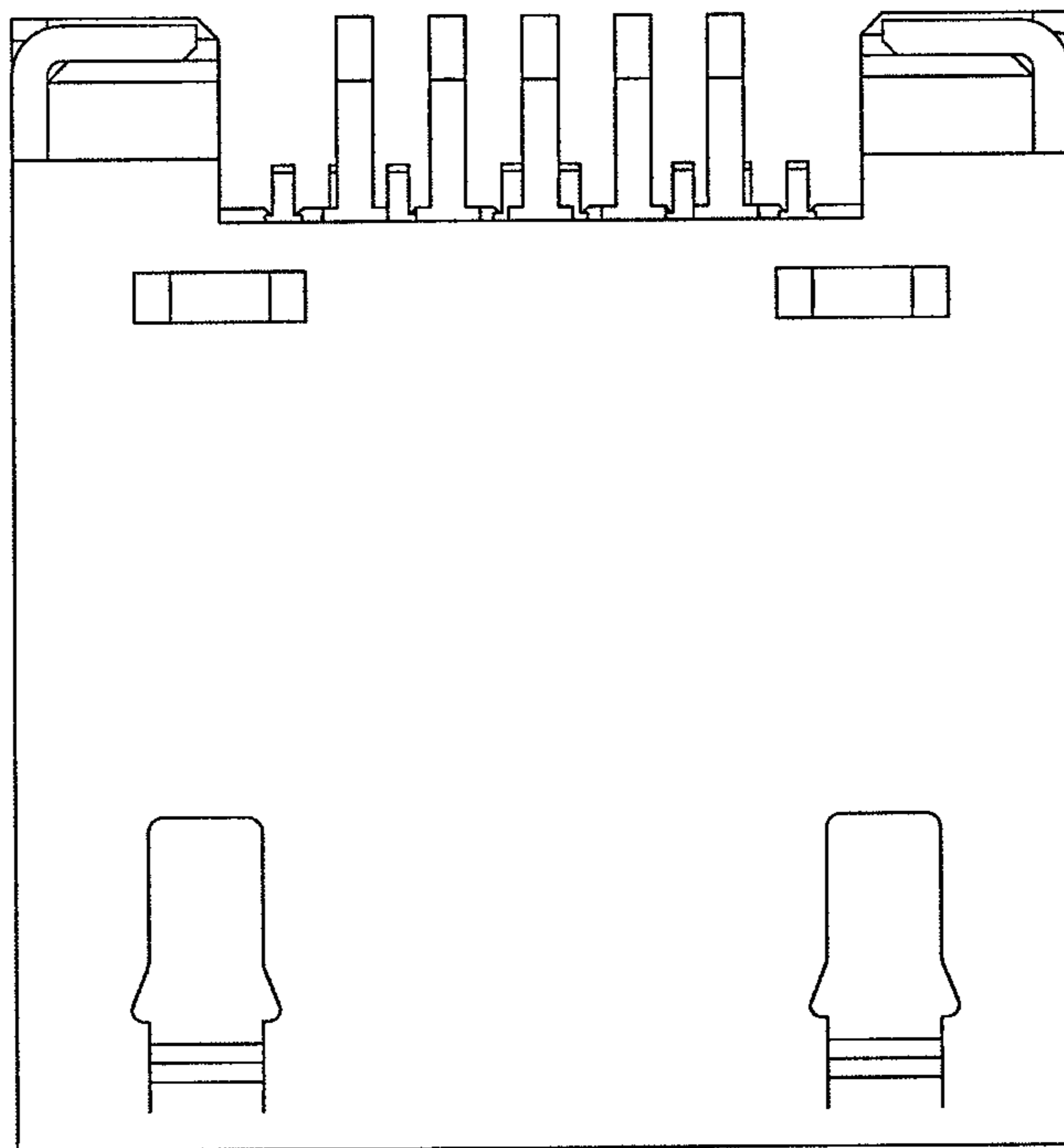


FIG. 3

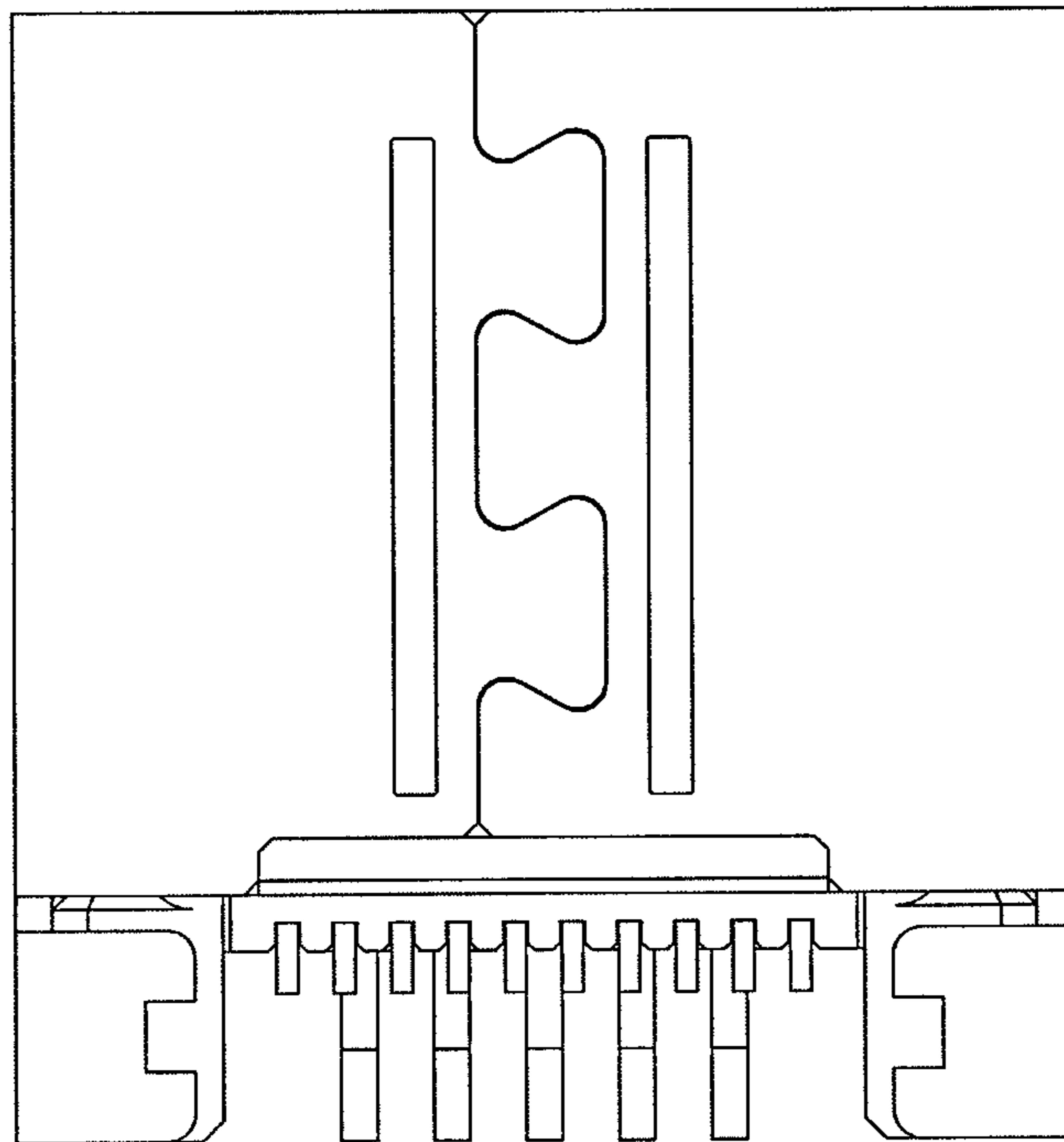


FIG. 4

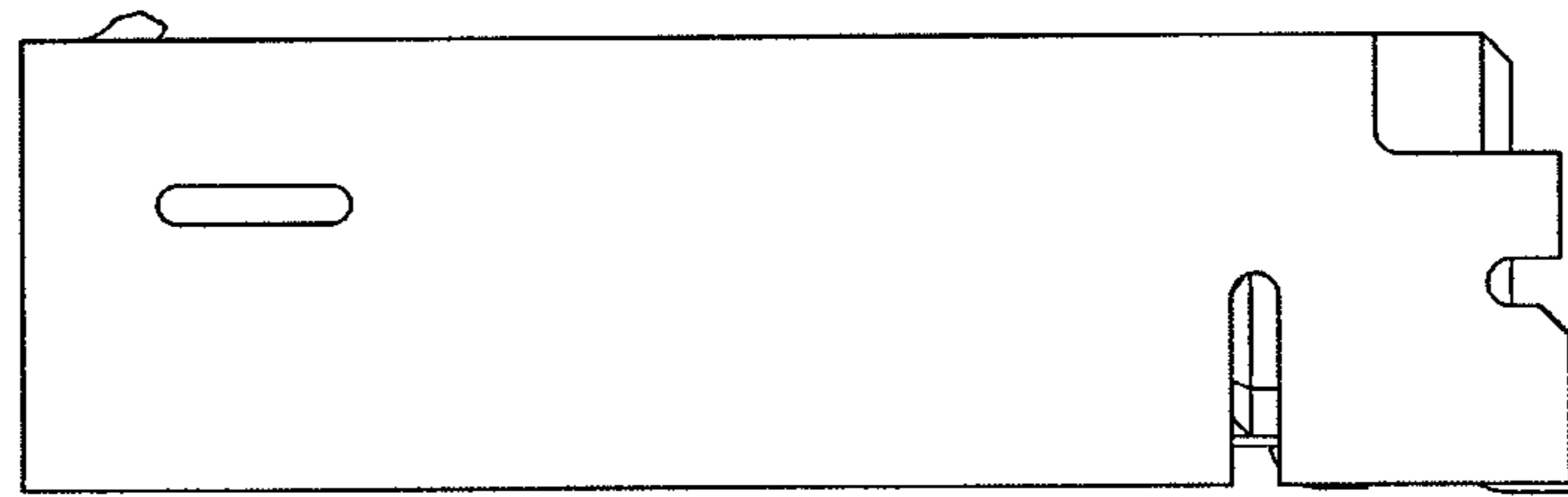


FIG. 5

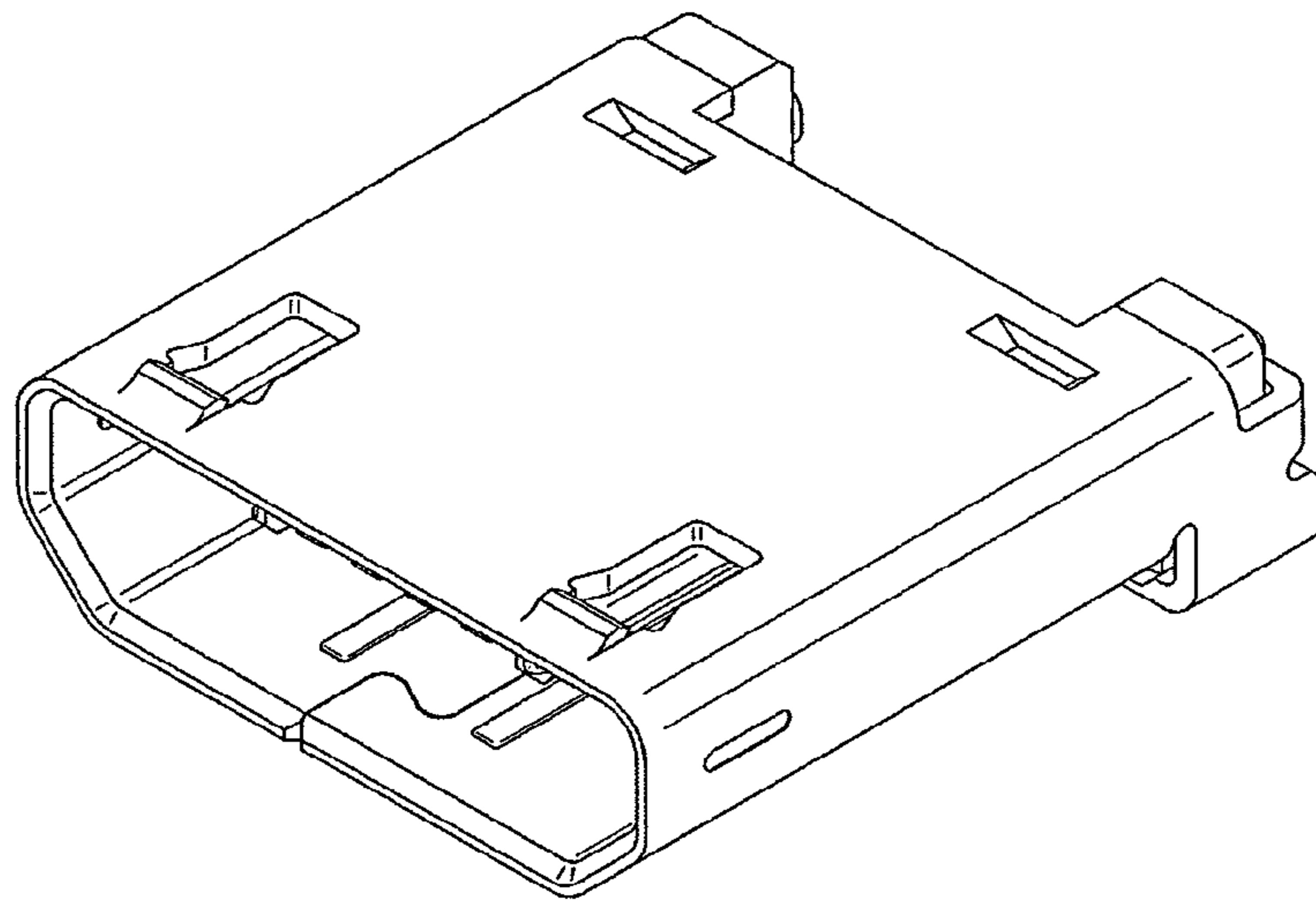


FIG. 6

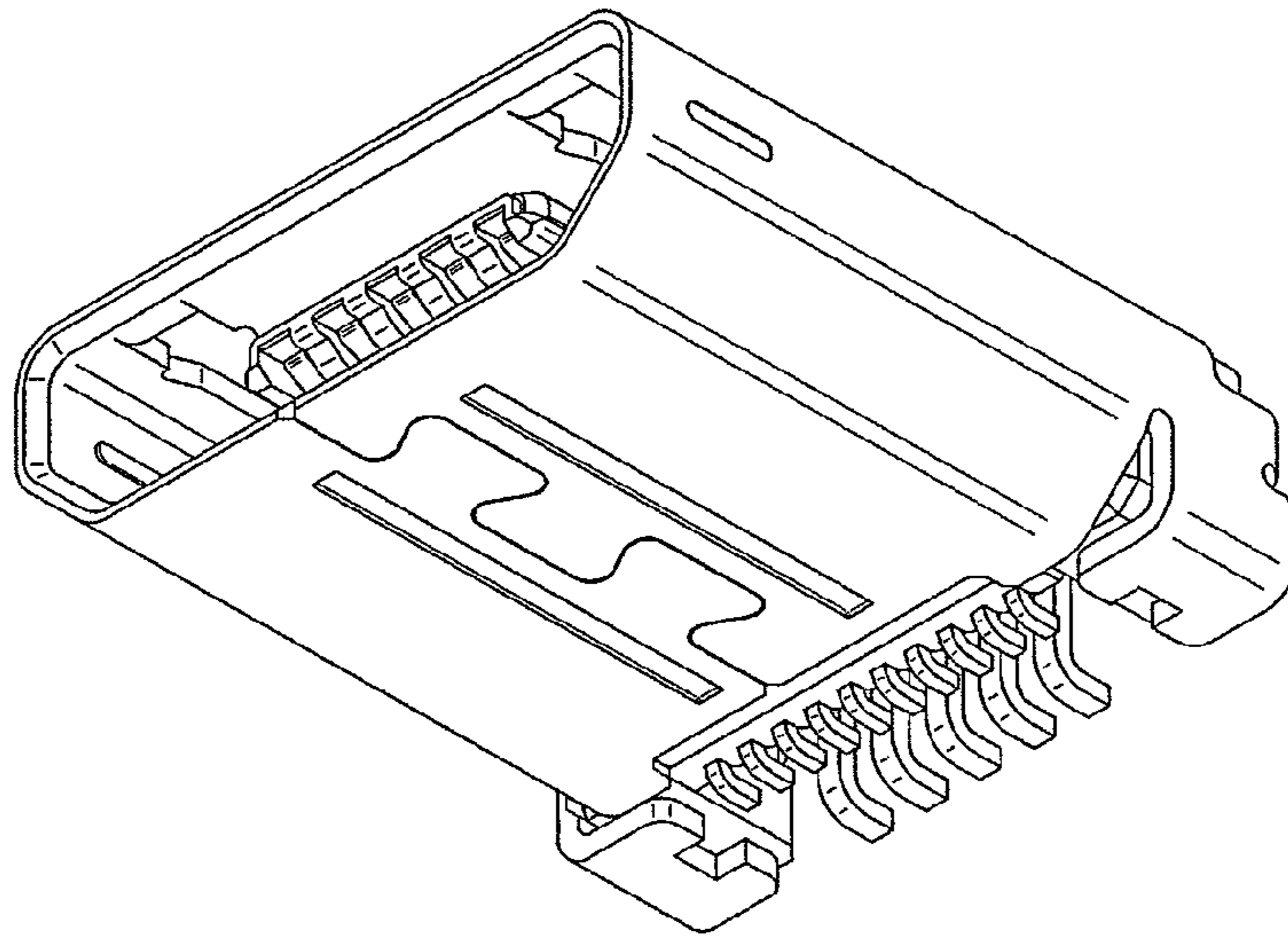


FIG. 7

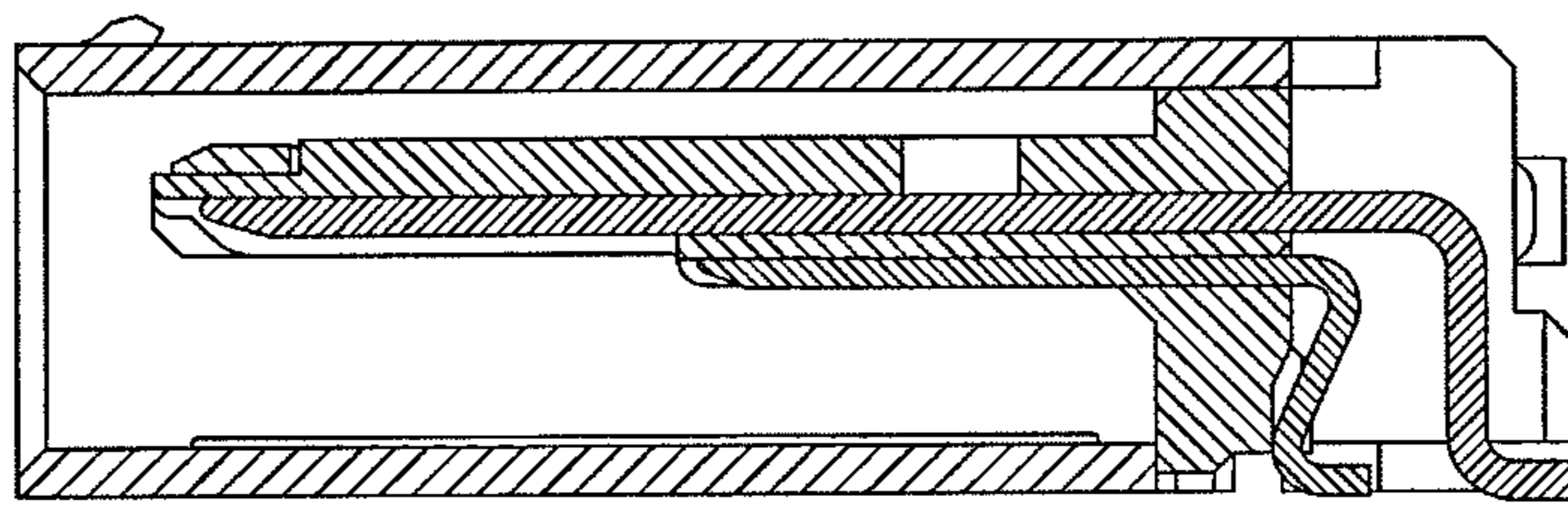


FIG. 8

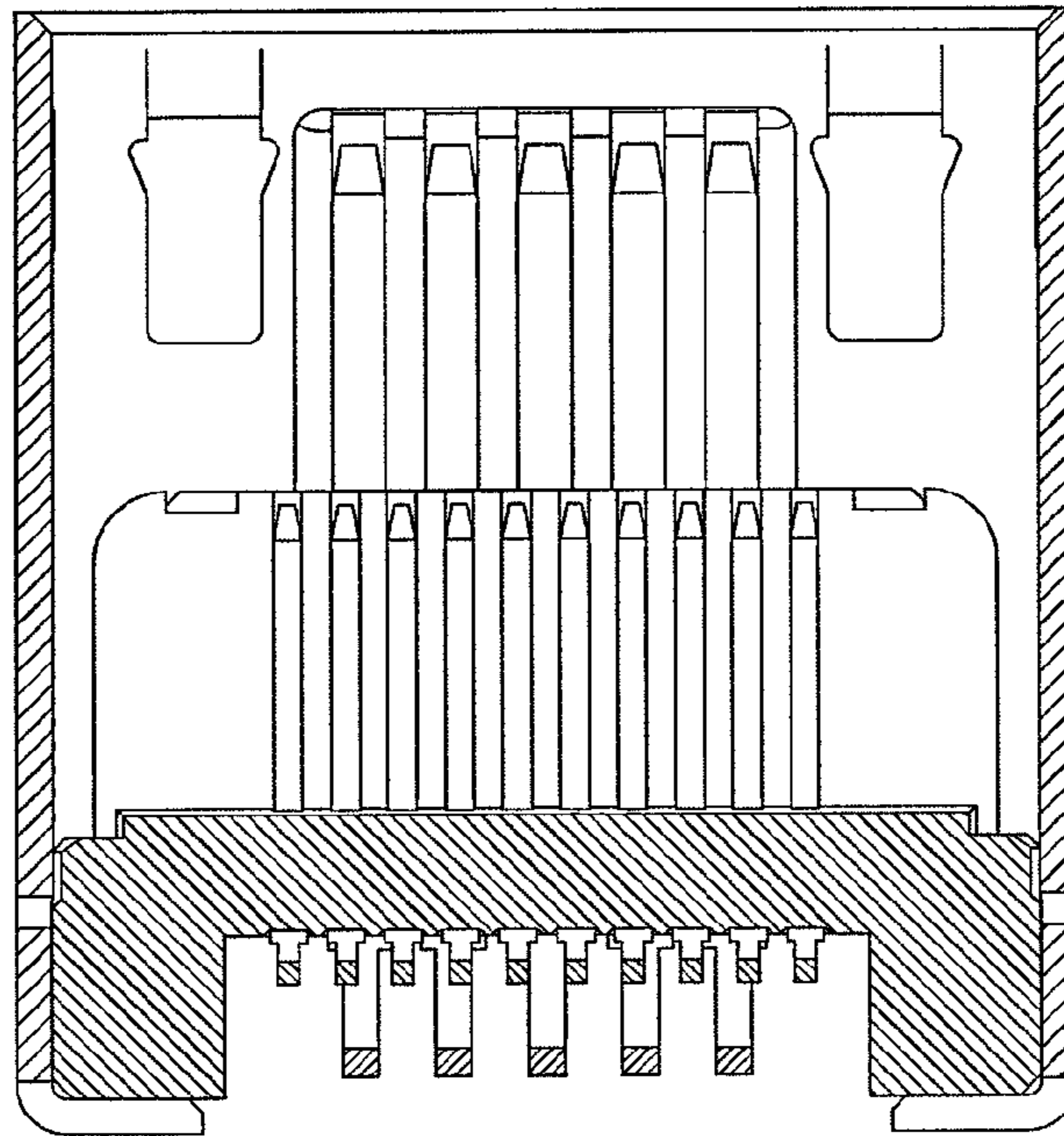


FIG. 9