



US00D710804S

(12) **United States Design Patent**  
**Duffy et al.**

(10) **Patent No.:** **US D710,804 S**

(45) **Date of Patent:** **\*\* Aug. 12, 2014**

(54) **ELECTRICAL OUTLET HOUSING UNIT**

(71) Applicants: **Arthur J Duffy**, Sarasota, FL (US); **Duy Huynh**, Sarasota, FL (US)

(72) Inventors: **Arthur J Duffy**, Sarasota, FL (US); **Duy Huynh**, Sarasota, FL (US)

(\*\*) Term: **14 Years**

(21) Appl. No.: **29/480,940**

(22) Filed: **Jan. 30, 2014**

(51) **LOC (10) Cl.** ..... **13-03**

(52) **U.S. Cl.**  
USPC ..... **D13/139.3**

(58) **Field of Classification Search**  
USPC ..... D13/139.9, 139.5, 137.1–137.4, 138.2,  
D13/138.1, 139.2, 139.6, 139.8, 152, 162,  
D13/156, 171, 158, 170, 177; 174/66,  
174/37–38; 200/5 A, 5 R, 1 B; 338/201–202;  
361/118, 602, 622, 641, 644, 660,  
361/679.05

See application file for complete search history.

(56) **References Cited**

**U.S. PATENT DOCUMENTS**

D269,510 S \* 6/1983 Doyle et al. .... D13/139.3  
D318,848 S \* 8/1991 Scholl ..... D13/139.3

D329,422 S \* 9/1992 Fujiyoshi ..... D13/139.1  
D516,512 S \* 3/2006 Adams et al. .... D13/139.1  
D517,010 S \* 3/2006 Fort et al. .... D13/139.3  
D535,256 S \* 1/2007 Fort et al. .... D13/139.3  
D558,676 S \* 1/2008 Fort et al. .... D13/139.3  
D595,229 S \* 6/2009 LaGrotta ..... D13/137.2  
D662,885 S \* 7/2012 Hoffman et al. .... D13/139.1  
D678,840 S \* 3/2013 DeCosta ..... D13/137.1

\* cited by examiner

*Primary Examiner* — Ian Simmons

*Assistant Examiner* — Rhea Shields

(57) **CLAIM**

The ornamental design of an electrical outlet housing unit, as shown and described.

**DESCRIPTION**

FIG. 1 is a front perspective view of an electrical outlet housing unit;

FIG. 2 is a rear perspective view thereof;

FIG. 3 is a front view thereof;

FIG. 4 is a rear view thereof;

FIG. 5 is a left side view thereof;

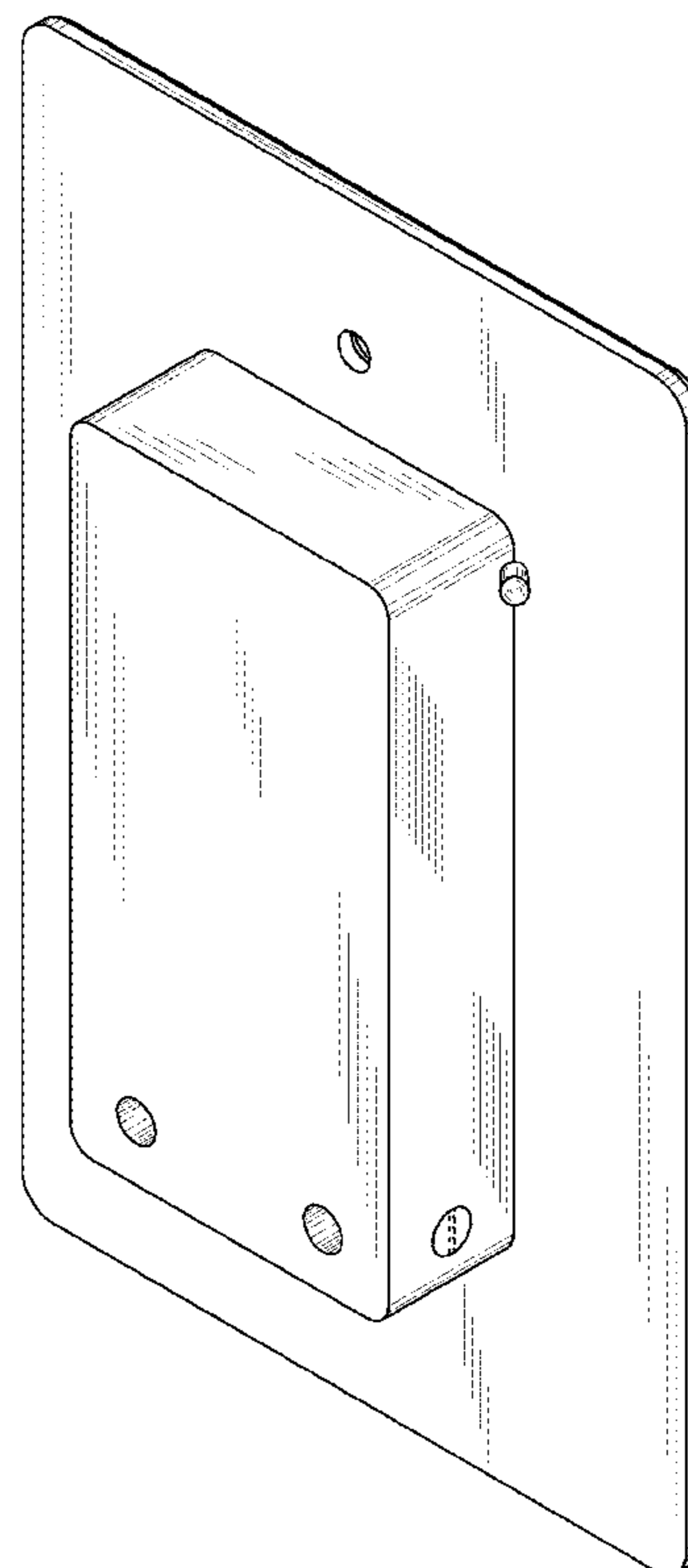
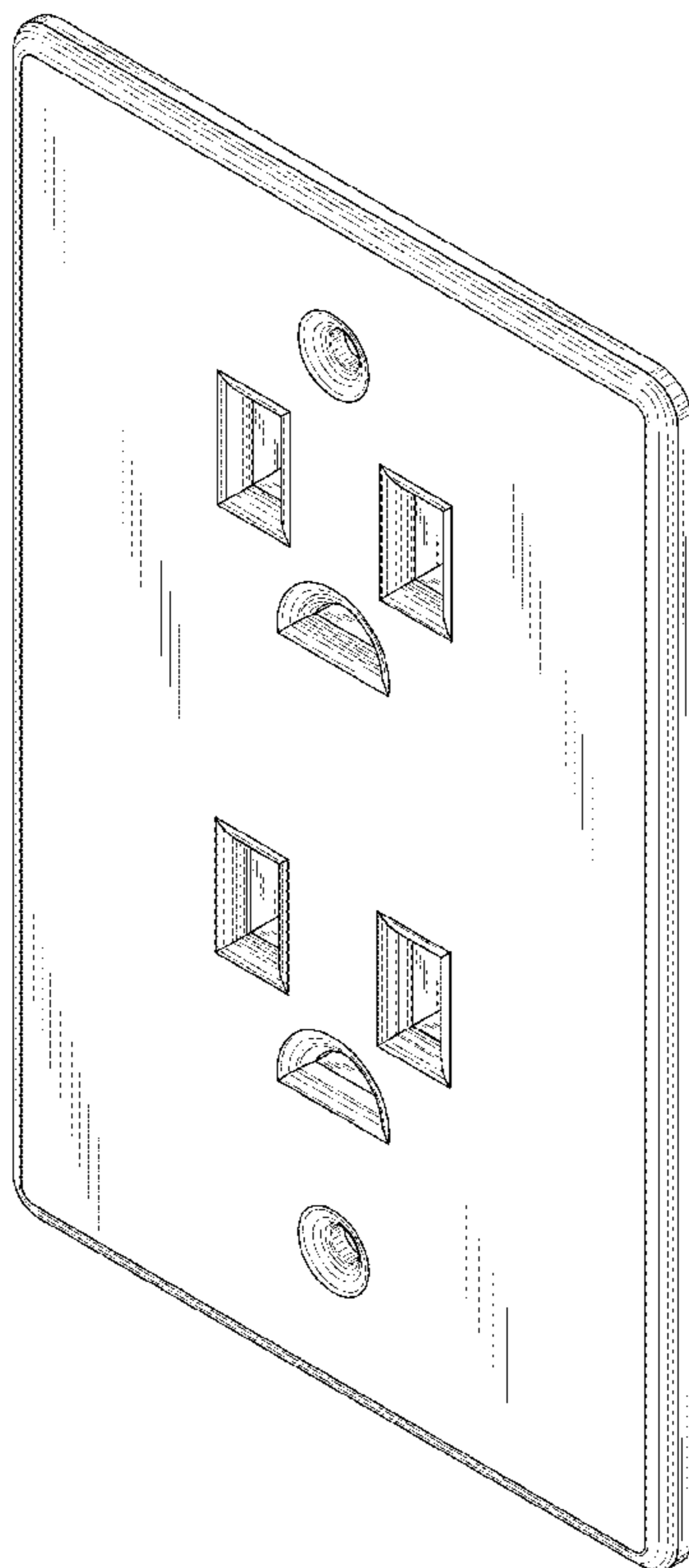
FIG. 6 is a right side view thereof;

FIG. 7 is a top plan view thereof; and,

FIG. 8 is a bottom plan view thereof.

In the drawings, the broken lines shown in FIGS. 2, 5, and 6 depict unclaimed environment only and forms no part of the claimed design.

**1 Claim, 8 Drawing Sheets**



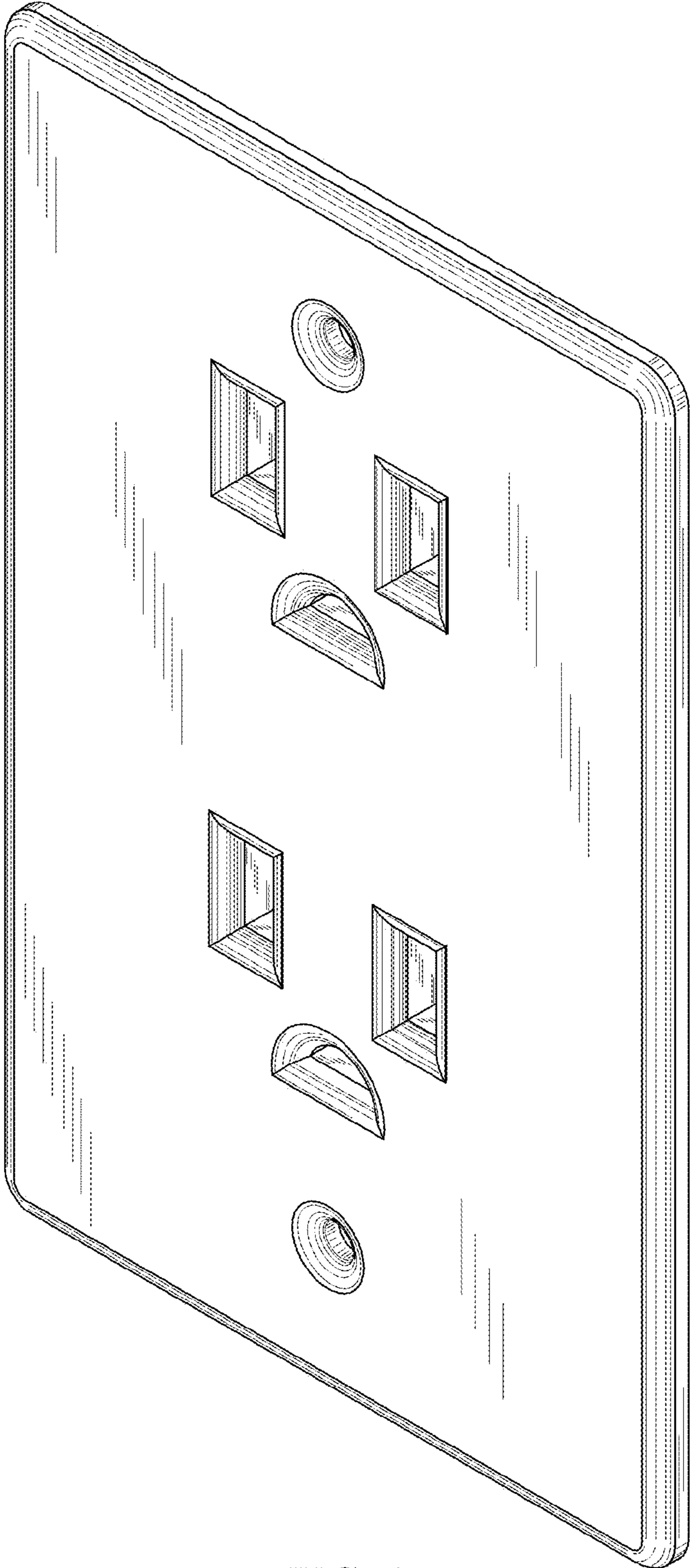


FIG. 1

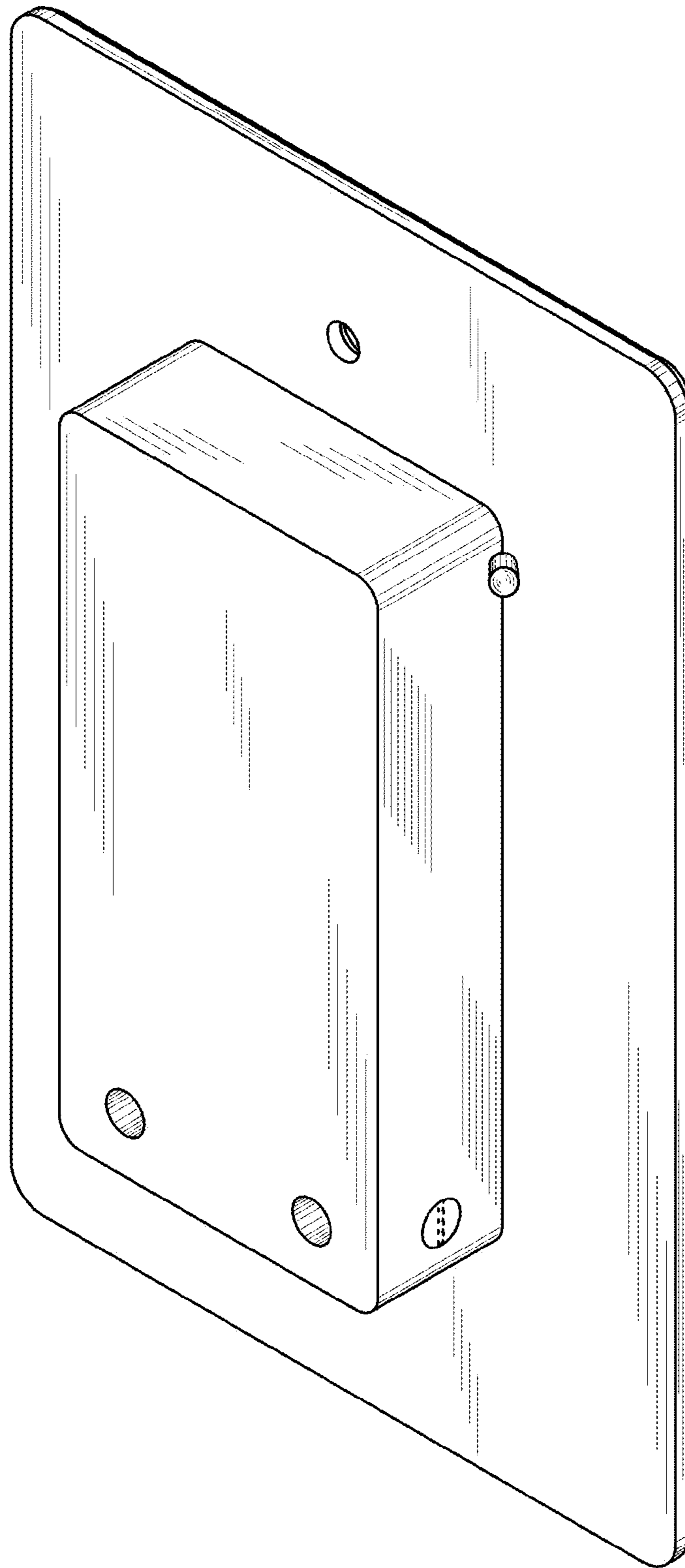


FIG. 2

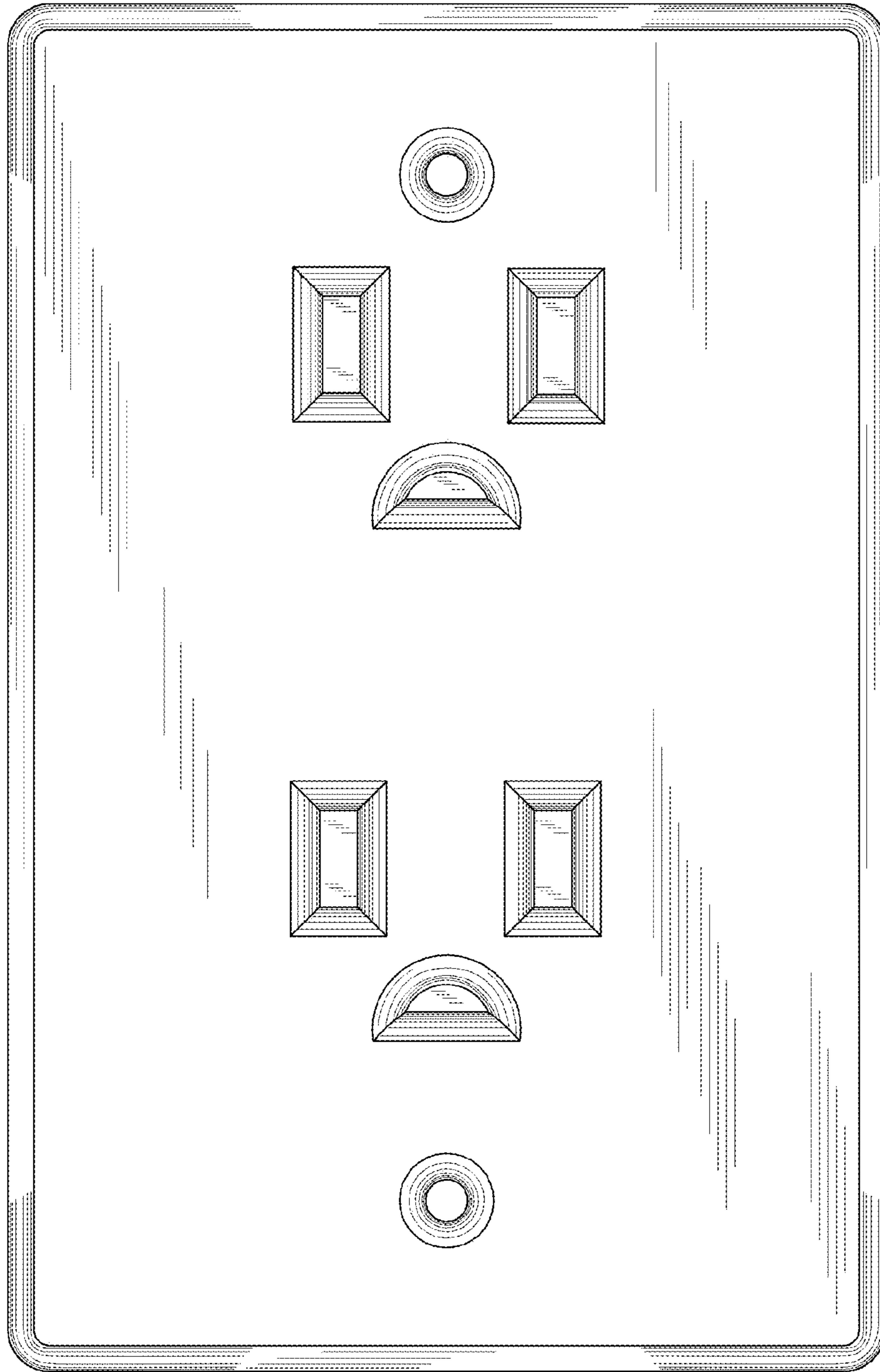


FIG. 3

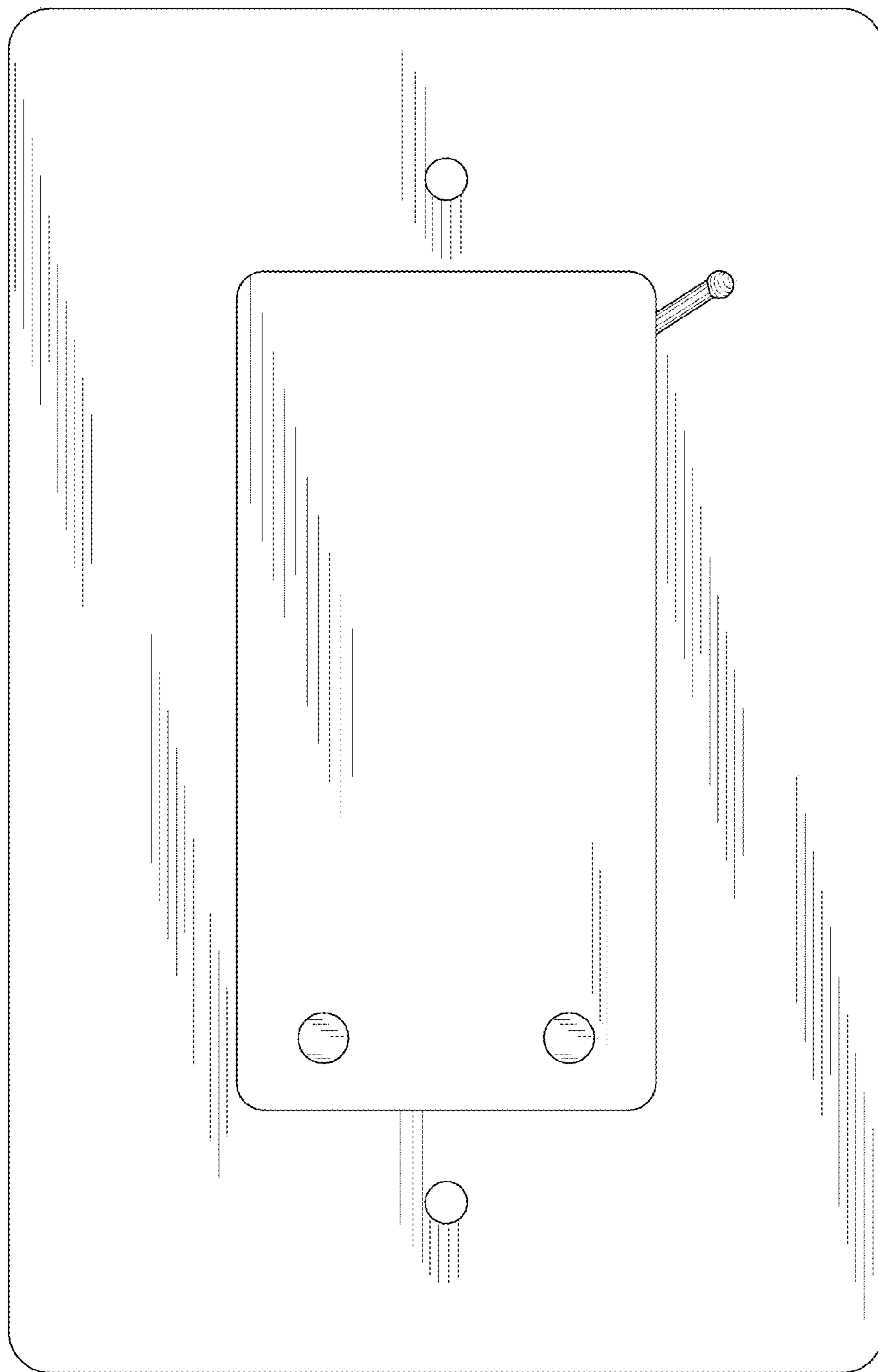


FIG. 4

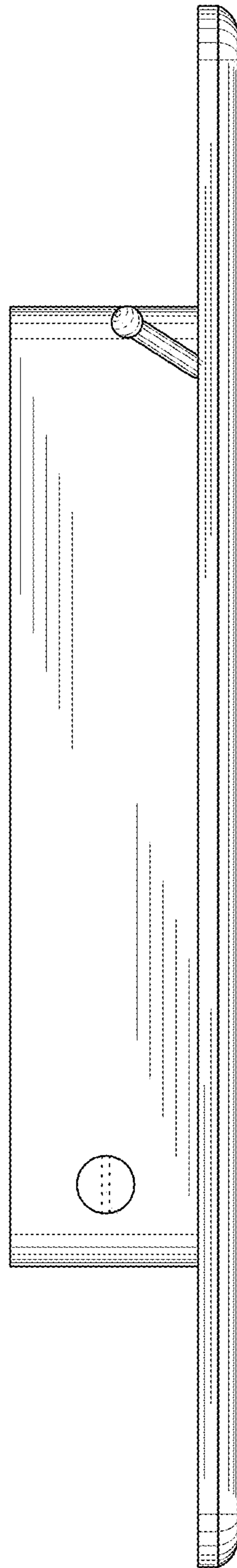


FIG. 5

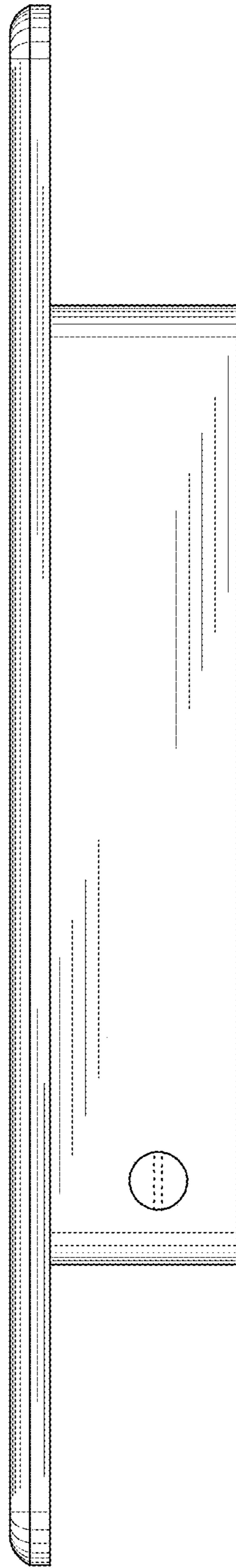


FIG. 6



FIG. 7



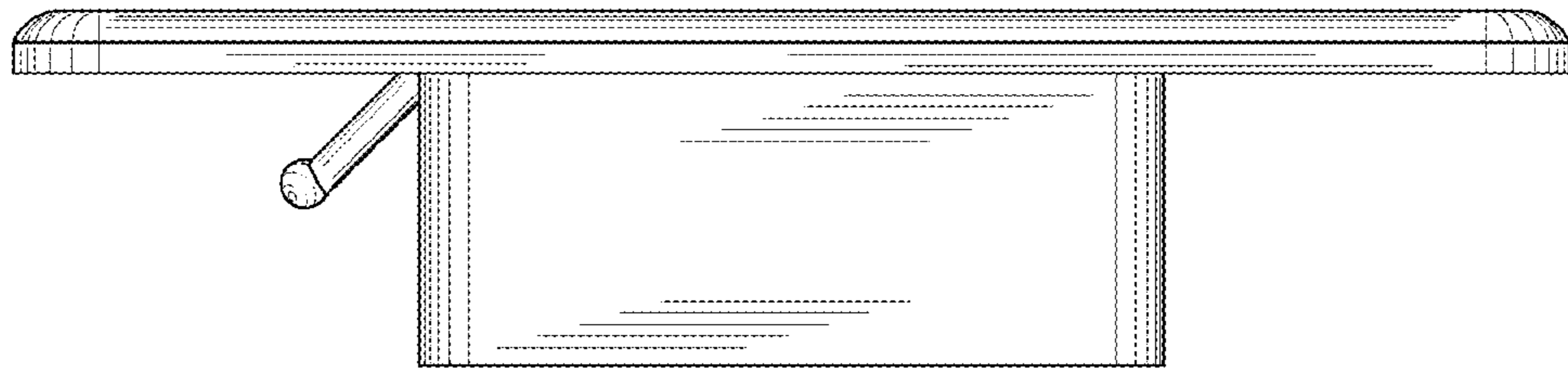


FIG. 8