



US00D710803S

(12) **United States Design Patent**
Yun

(10) **Patent No.:** **US D710,803 S**

(45) **Date of Patent:** **** Aug. 12, 2014**

(54) **SOCKET HOUSING FOR COMMUNICATION DEVICE**

(71) Applicant: **JuYoung Yun**, Osan (KR)

(72) Inventor: **JuYoung Yun**, Osan (KR)

(73) Assignee: **UJU Electronics Co., Ltd.**, Sachang-ri, Yanggam-myeon, Hwaseong-si, Gyeonggi-do (KR)

(**) Term: **14 Years**

(21) Appl. No.: **29/450,499**

(22) Filed: **Mar. 18, 2013**

(51) **LOC (10) Cl.** **13-03**

(52) **U.S. Cl.**
USPC **D13/133**

(58) **Field of Classification Search**
USPC D13/120, 133, 146, 147, 154, 184, 199;
D14/432, 433, 435, 436, 438; 439/64,
439/79, 159-160, 330-331, 341-342,
439/629-630, 636, 660, 773, 860, 946
See application file for complete search history.

(56) **References Cited**

U.S. PATENT DOCUMENTS

D505,921 S *	6/2005	Ma	D13/149
D509,476 S *	9/2005	Ma et al.	D13/149
D544,841 S *	6/2007	Nishio et al.	D13/147
D568,250 S *	5/2008	Wu et al.	D13/147
D570,291 S *	6/2008	Zhang	D13/147

D576,954 S *	9/2008	Hsiao	D13/147
D596,128 S *	7/2009	Hung et al.	D13/147
D614,576 S *	4/2010	Chiang	D13/147
D627,736 S *	11/2010	Gao et al.	D13/147
D648,681 S *	11/2011	Huang	D13/147
D648,682 S *	11/2011	Huang	D13/147
D648,684 S *	11/2011	Liu et al.	D13/147
D649,117 S *	11/2011	Sasaki et al.	D13/147

* cited by examiner

Primary Examiner — Thomas Johannes

Assistant Examiner — Khawaja Anwar

(74) *Attorney, Agent, or Firm* — John K. Park; Park Law Firm

(57) **CLAIM**

The ornamental design for a socket housing for communication device, as shown and described.

DESCRIPTION

FIG. 1 is a perspective view of a socket housing for communication device showing my new design;
FIG. 2 is a front view thereof;
FIG. 3 is a rear view thereof;
FIG. 4 is a left side view thereof;
FIG. 5 is a right side view thereof;
FIG. 6 is a top plan view thereof; and,
FIG. 7 is a bottom view thereof.
The broken line showing of environment is for illustrative purposes only and forms no part of the claimed design.

1 Claim, 2 Drawing Sheets

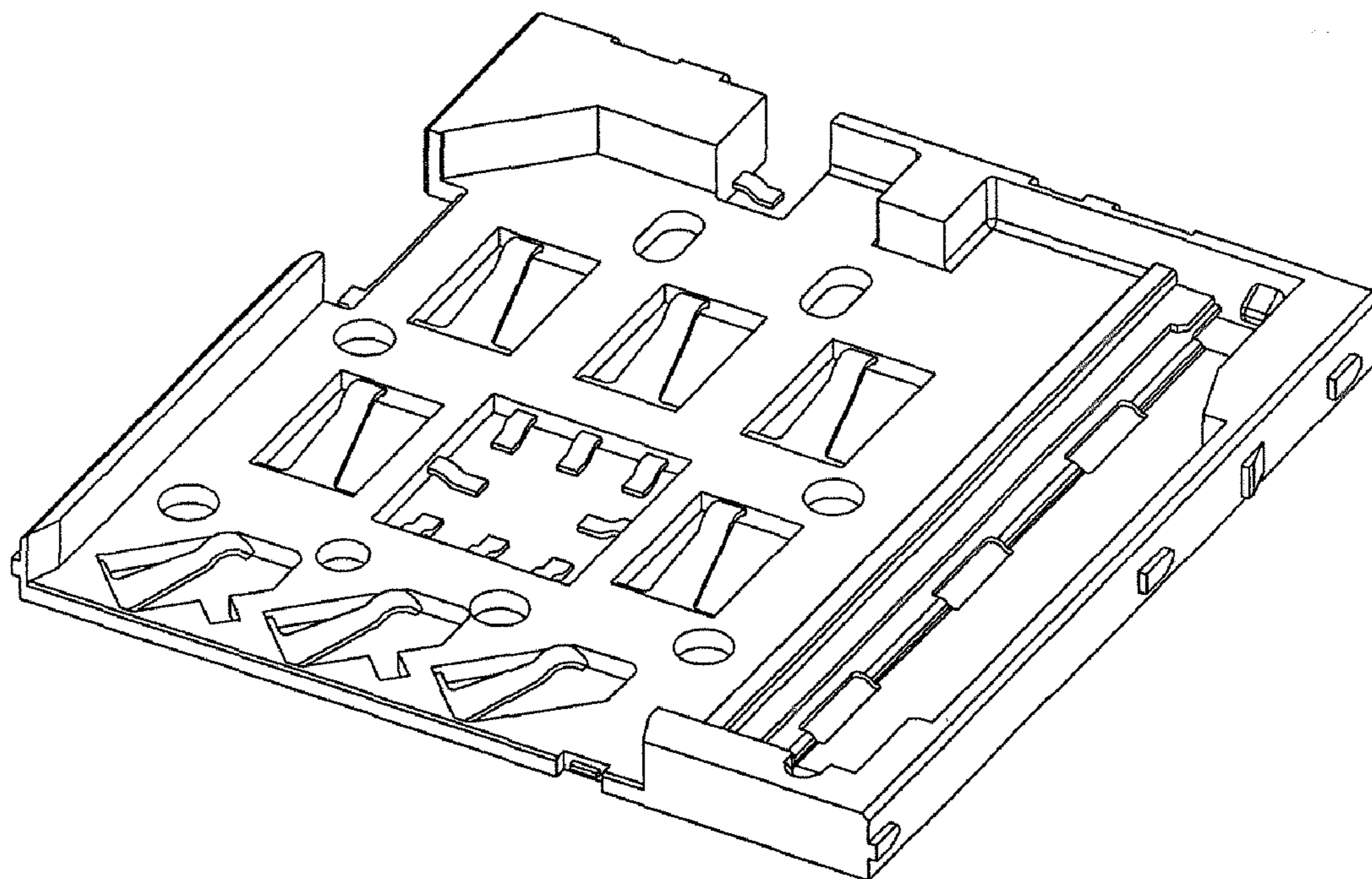


Fig. 1

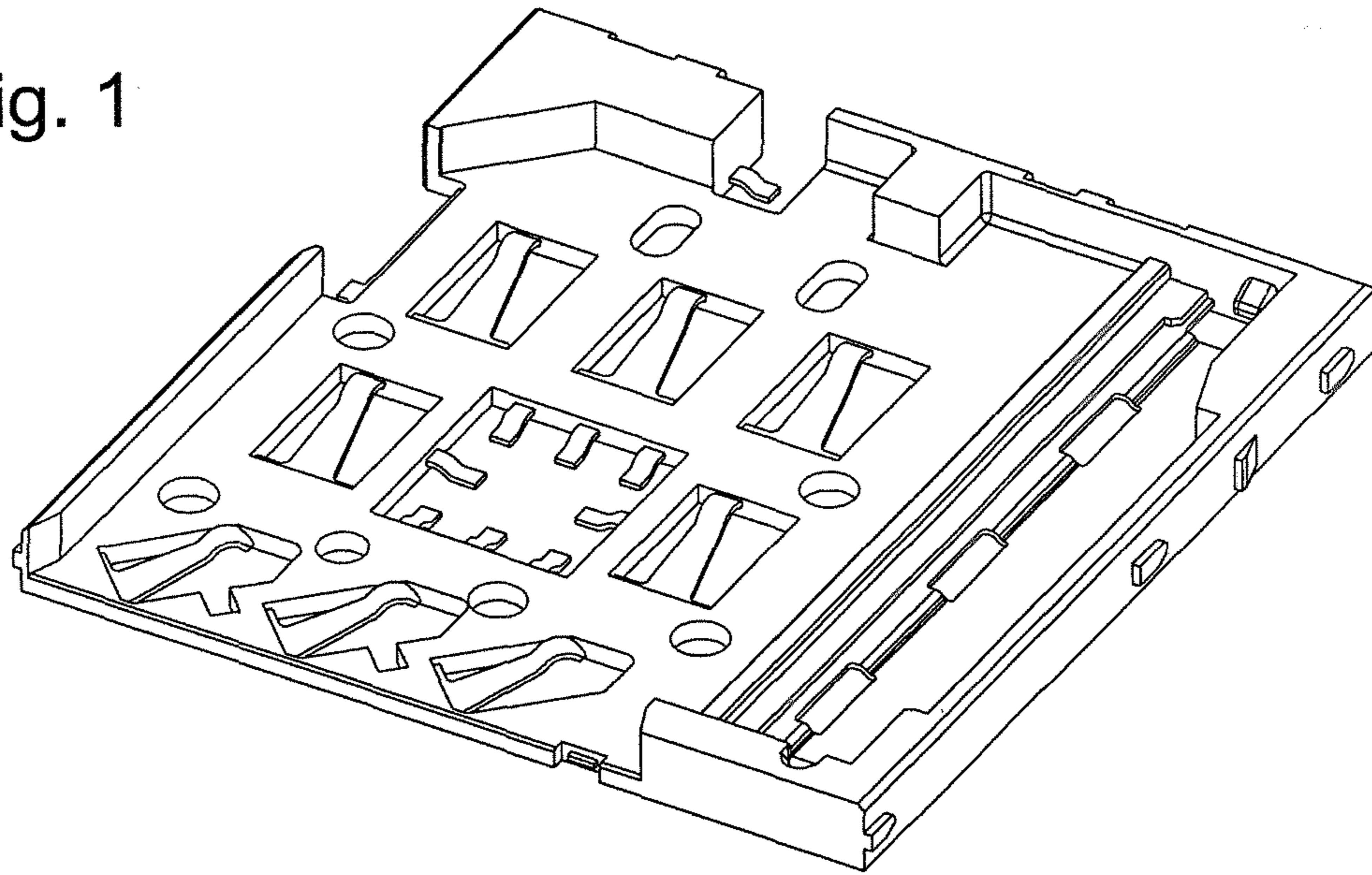


Fig. 2



Fig. 3



Fig. 4

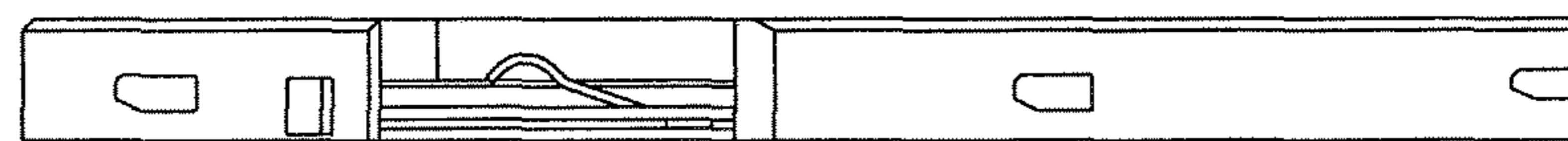


Fig. 5

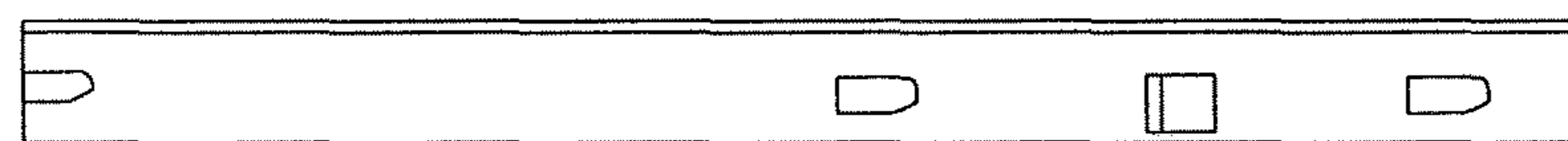


Fig. 6

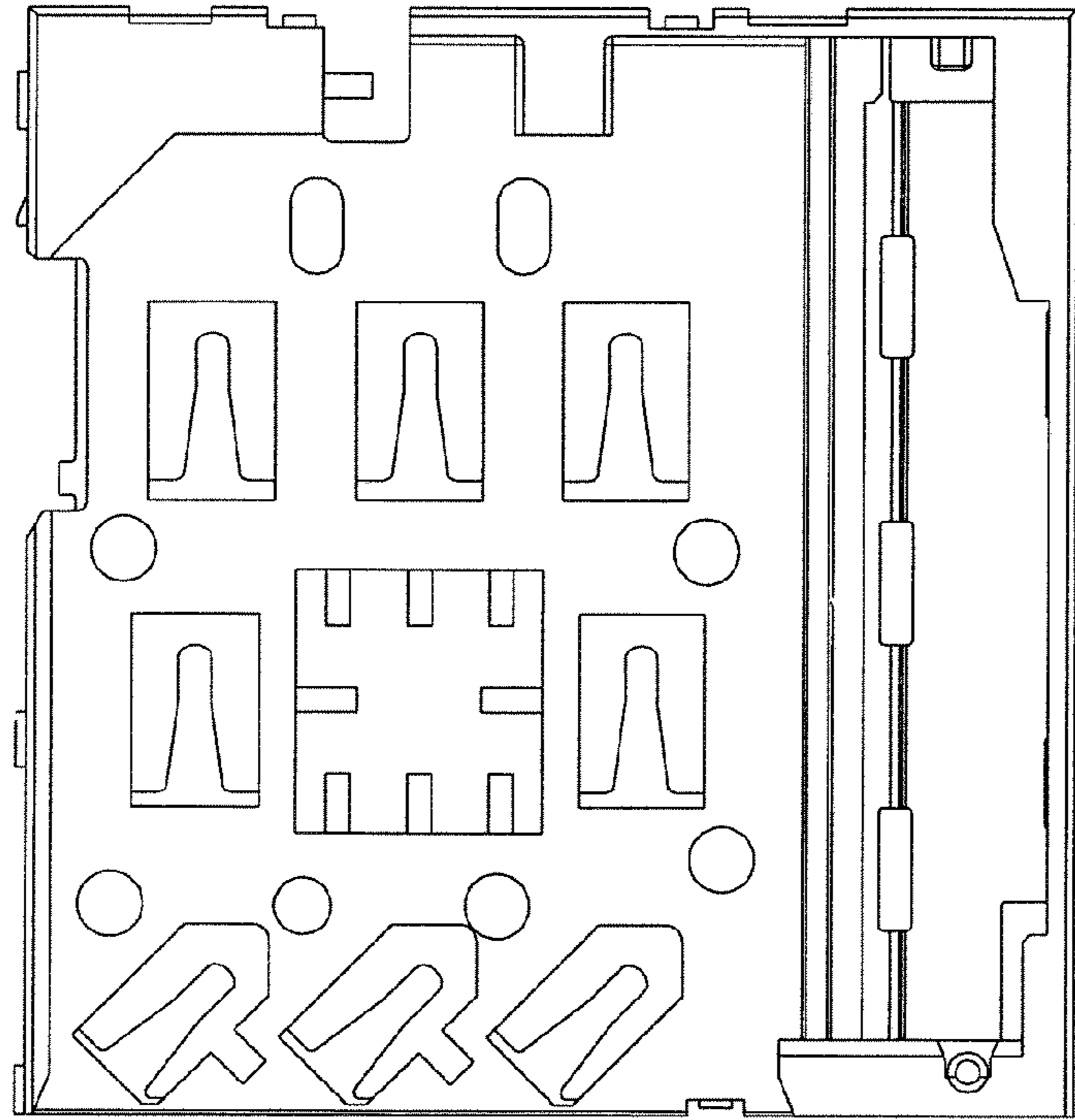


Fig. 7

