



US00D710802S

(12) **United States Design Patent**  
**Sarder et al.**

(10) **Patent No.:** **US D710,802 S**

(45) **Date of Patent:** **\*\* Aug. 12, 2014**

(54) **DUAL FUEL SELECTOR SWITCH**

(71) Applicant: **Champion Engine Technology, LLC**,  
Sussex, WI (US)

(72) Inventors: **Mark J. Sarder**, Waukesha, WI (US);  
**Leigh Jenison**, Hartland, WI (US); **Ian Schmit**, Cedarburg, WI (US)

(73) Assignee: **Champion Engine Technology, LLC**,  
Sussex, WI (US)

(\*\*) Term: **14 Years**

(21) Appl. No.: **29/471,547**

(22) Filed: **Nov. 1, 2013**

(51) **LOC (10) Cl.** ..... **13-01**

(52) **U.S. Cl.**  
USPC ..... **D13/122**

(58) **Field of Classification Search**  
USPC ..... D13/118, 100, 101, 110, 113, 122, 158,  
D13/169, 170, 174, 184, 199; D6/432, 437,  
D6/445, 446, 461, 477; 261/1, 19, 28, 29;  
320/101; 429/400, 401-407, 411, 413,  
429/462, 467, 153, 176, 177; D8/339, 349,  
D8/353

See application file for complete search history.

(56) **References Cited**

**U.S. PATENT DOCUMENTS**

D279,977 S \* 8/1985 Bonazelli ..... D13/116  
D557,667 S \* 12/2007 Kawamura et al. .... D13/170

D607,016 S \* 12/2009 Shelton et al. .... D15/9.1  
D652,795 S \* 1/2012 Attanasio ..... D13/118  
2013/0098349 A1 4/2013 Deng  
2013/0122439 A1 5/2013 Deng

\* cited by examiner

*Primary Examiner* — Derrick Holland

(74) *Attorney, Agent, or Firm* — Ziolkowski Patent  
Solutions Group, SC

(57) **CLAIM**

The ornamental design for a dual fuel selector switch, as  
shown and described.

**DESCRIPTION**

FIG. 1 is a perspective view of a dual fuel selector switch in  
accordance with the present invention.

FIG. 2 is a perspective view of a dual fuel selector switch  
shown in an alternate position.

FIG. 3 is a perspective view of the dual fuel selector switch of  
FIGS. 1 and 2;

FIG. 4 is a front elevational view of the dual fuel selector  
switch of FIGS. 1 and 2;

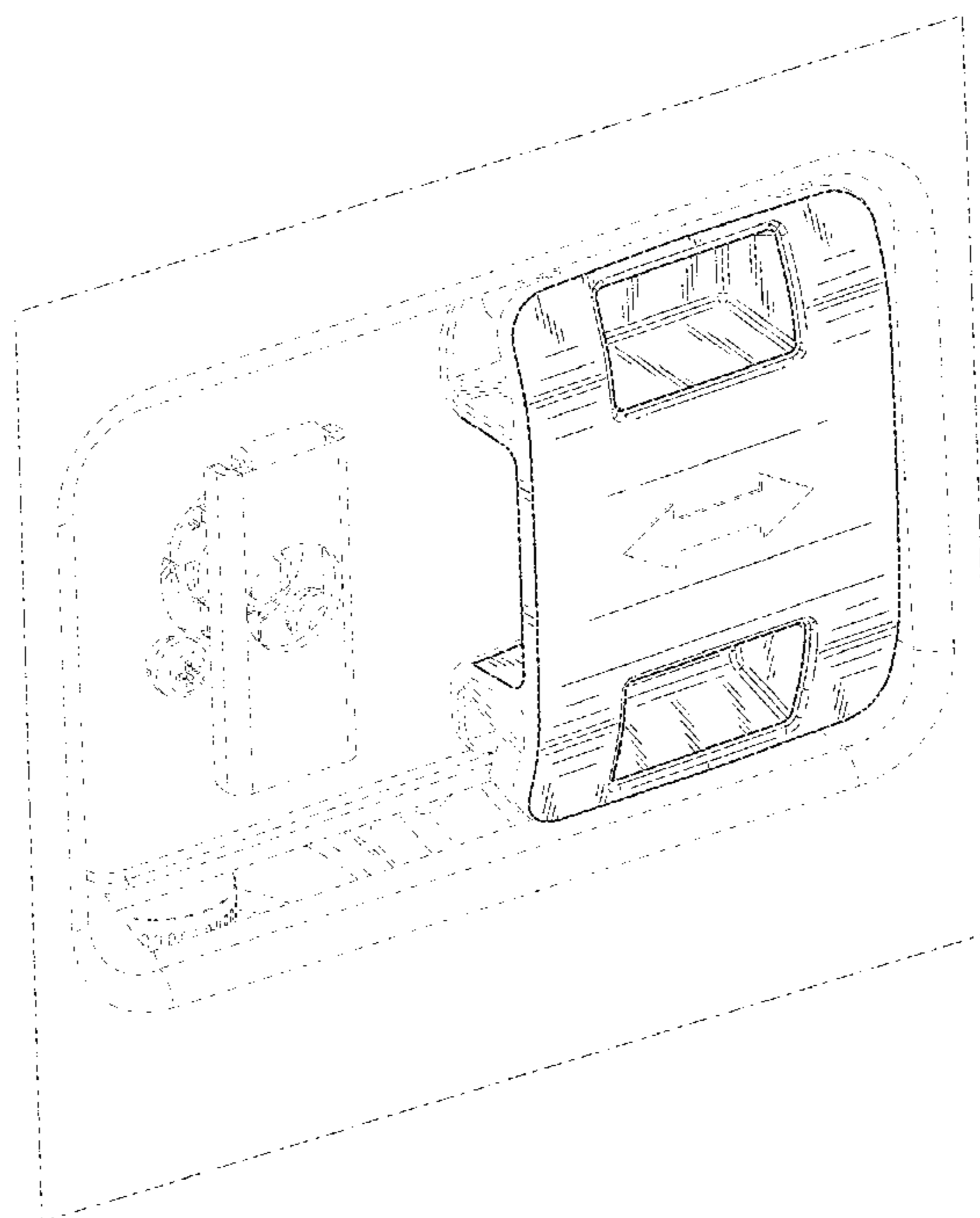
FIG. 5 is a rear elevational view of the dual fuel selector  
switch of FIGS. 1 and 2;

FIG. 6 is a side elevational view of the dual fuel selector  
switch of FIGS. 1 and 2; and,

FIG. 7 is a top view of the dual fuel selector switch of FIGS.  
1 and 2.

The broken lines shown represent unclaimed subject matter  
and form no part of the claimed design.

**1 Claim, 6 Drawing Sheets**



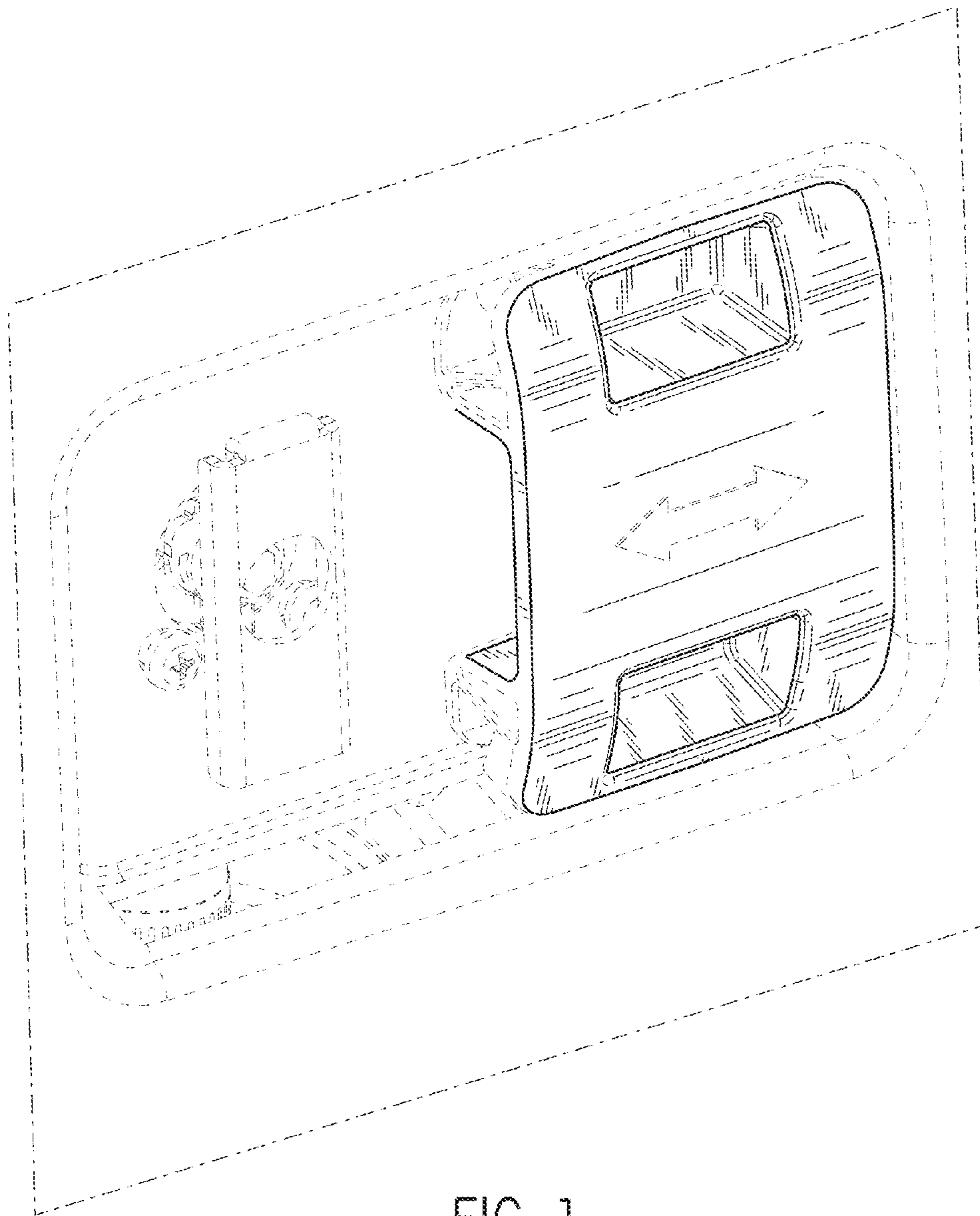


FIG. 1

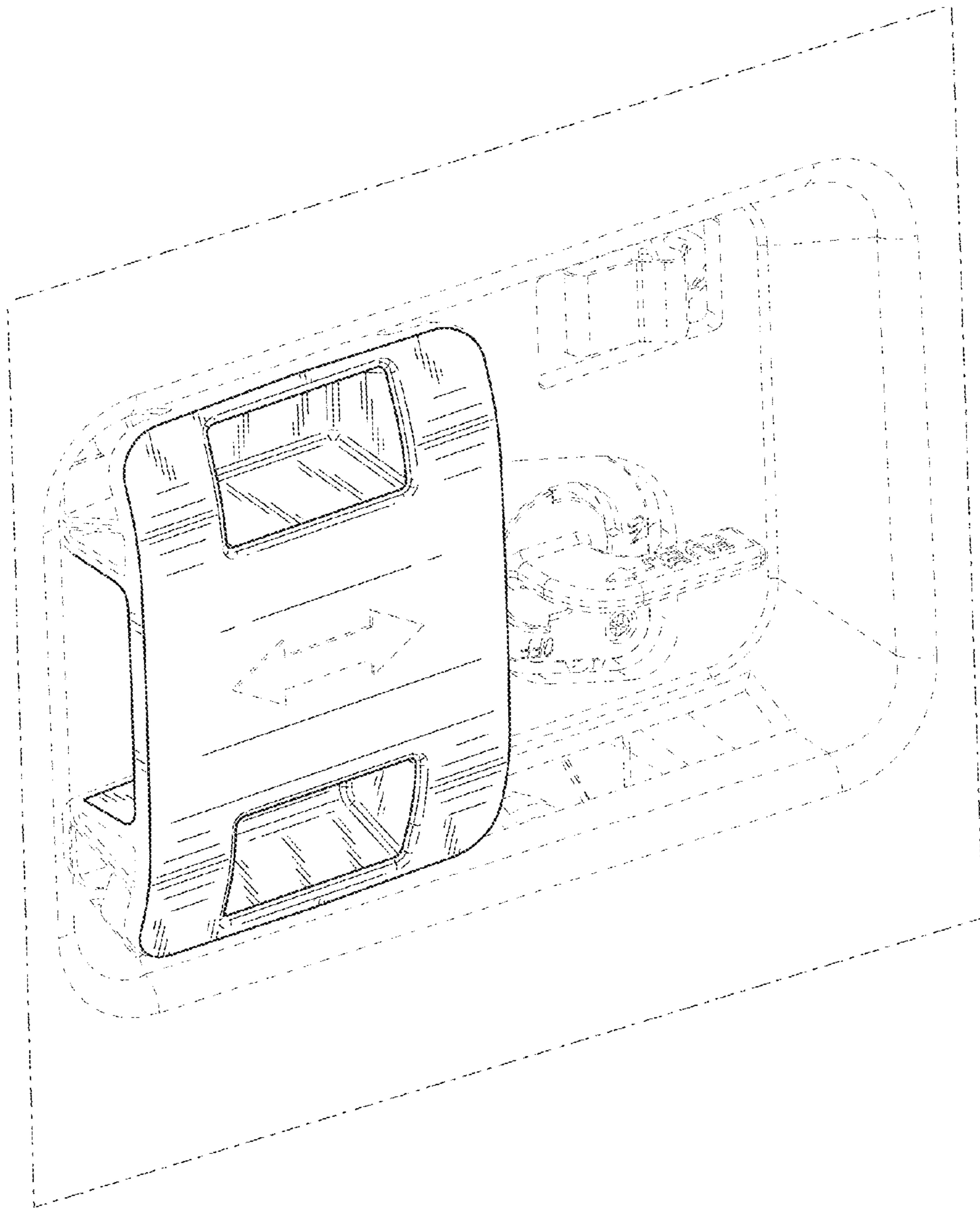


FIG. 2

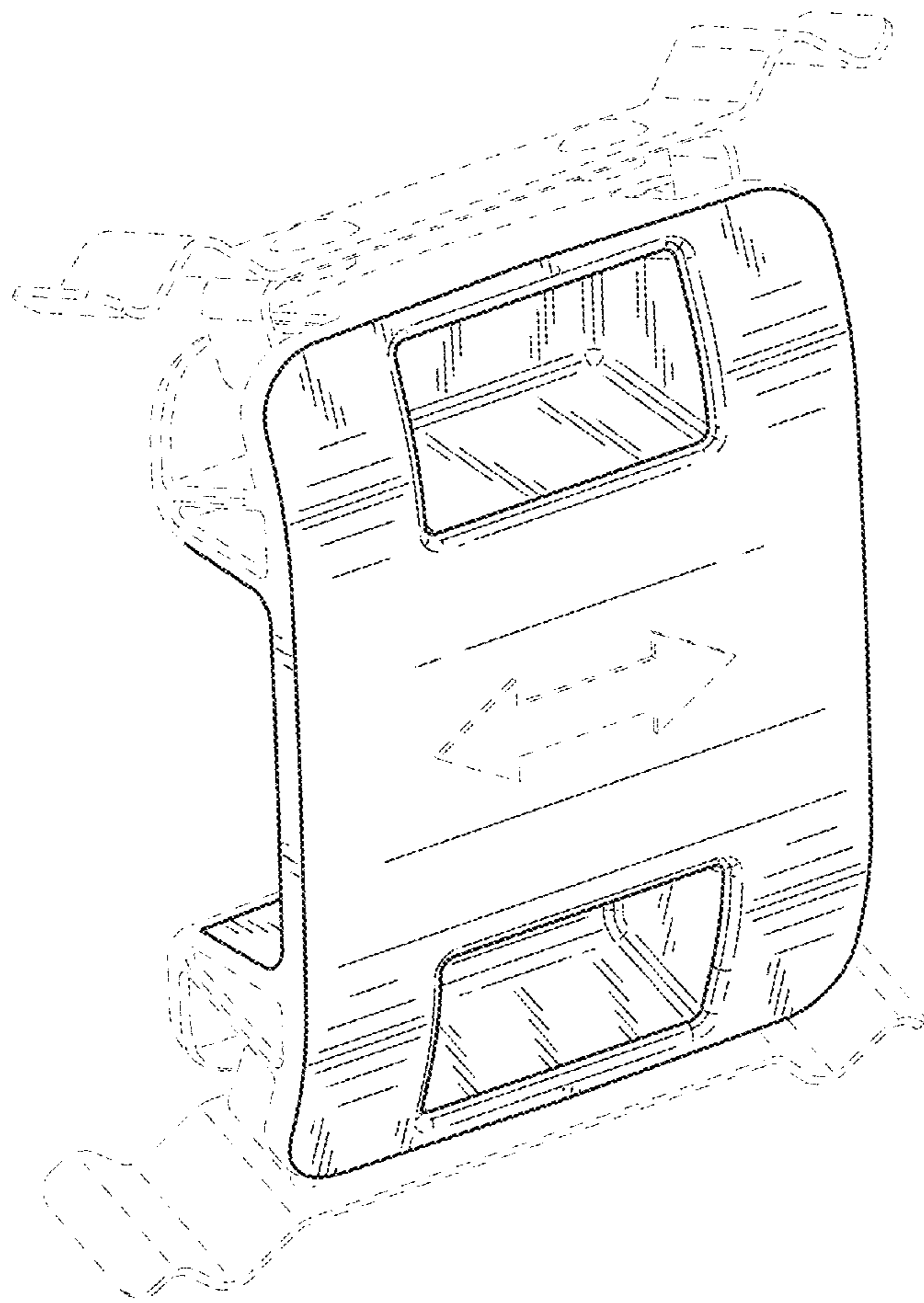


FIG. 3

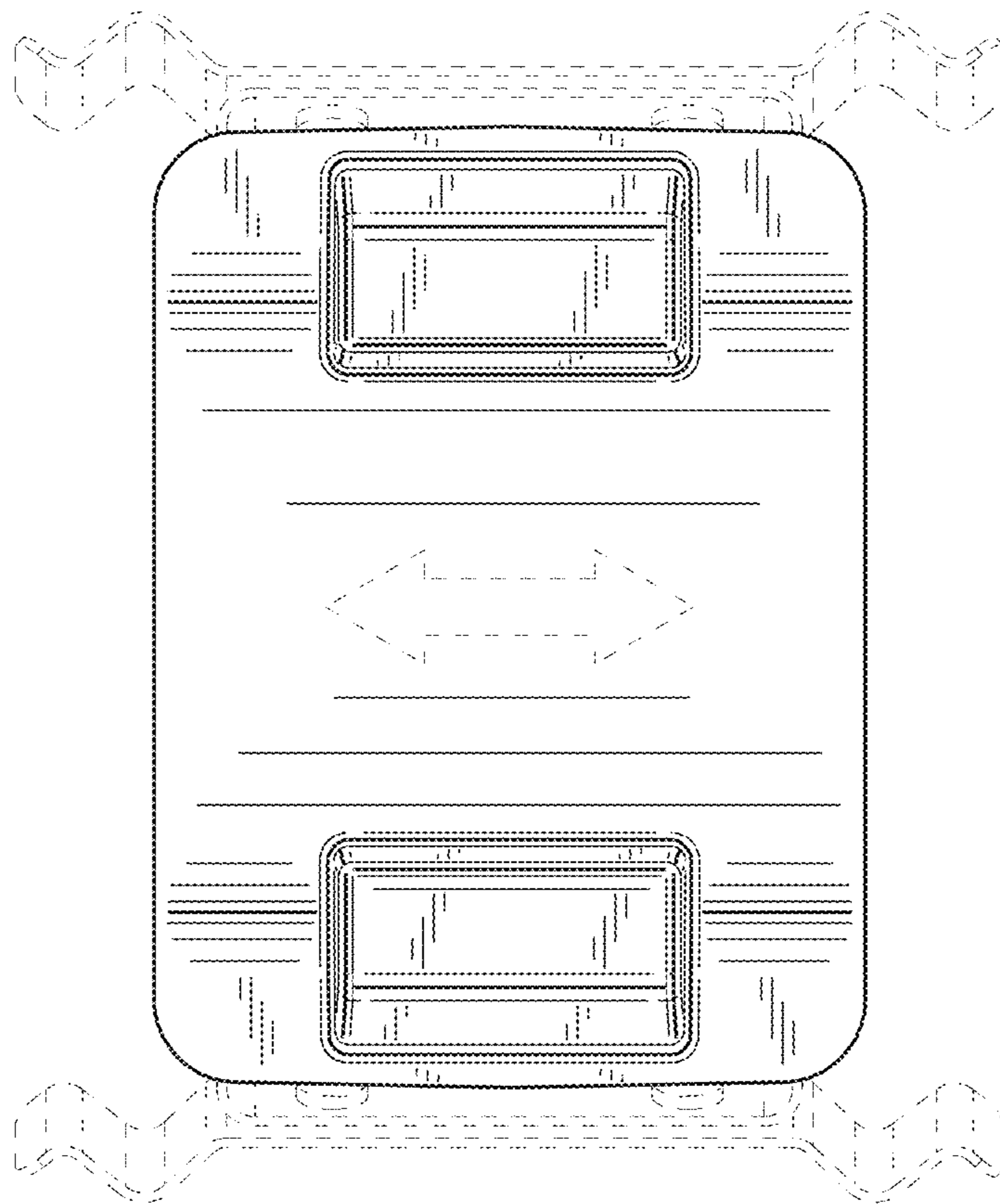


FIG. 4



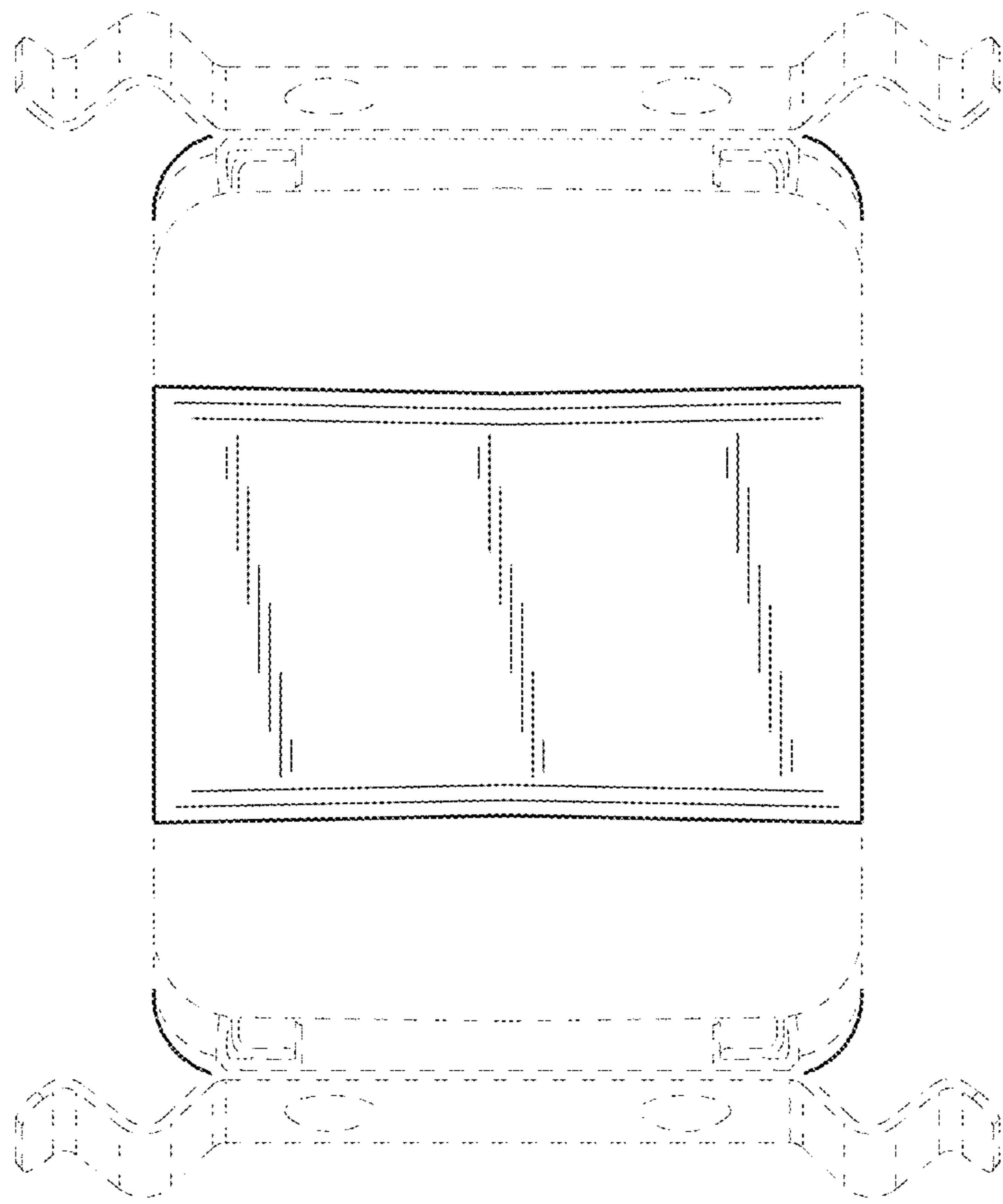


FIG. 5

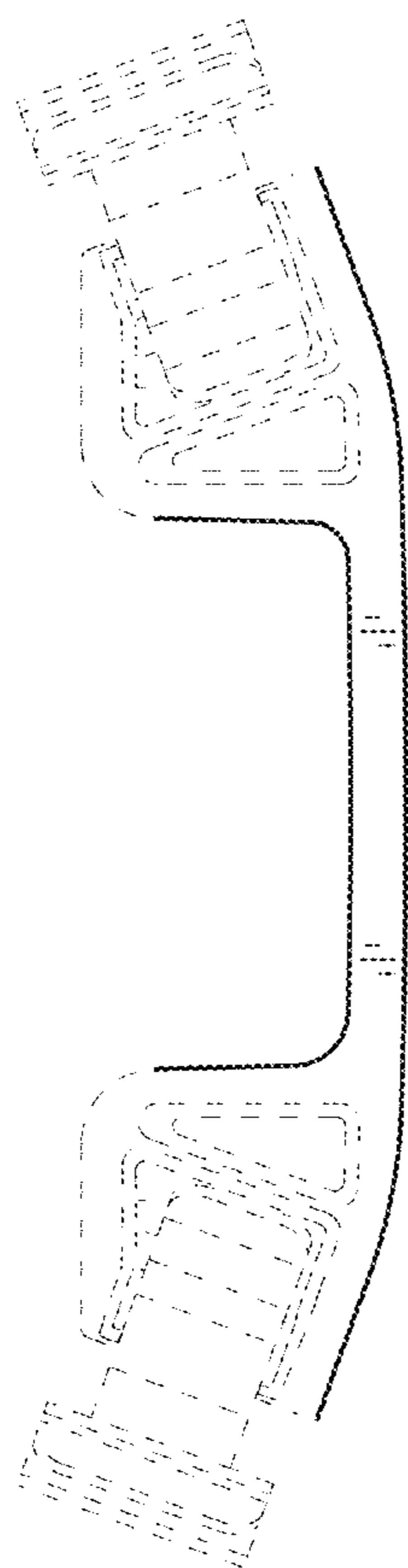


FIG. 6

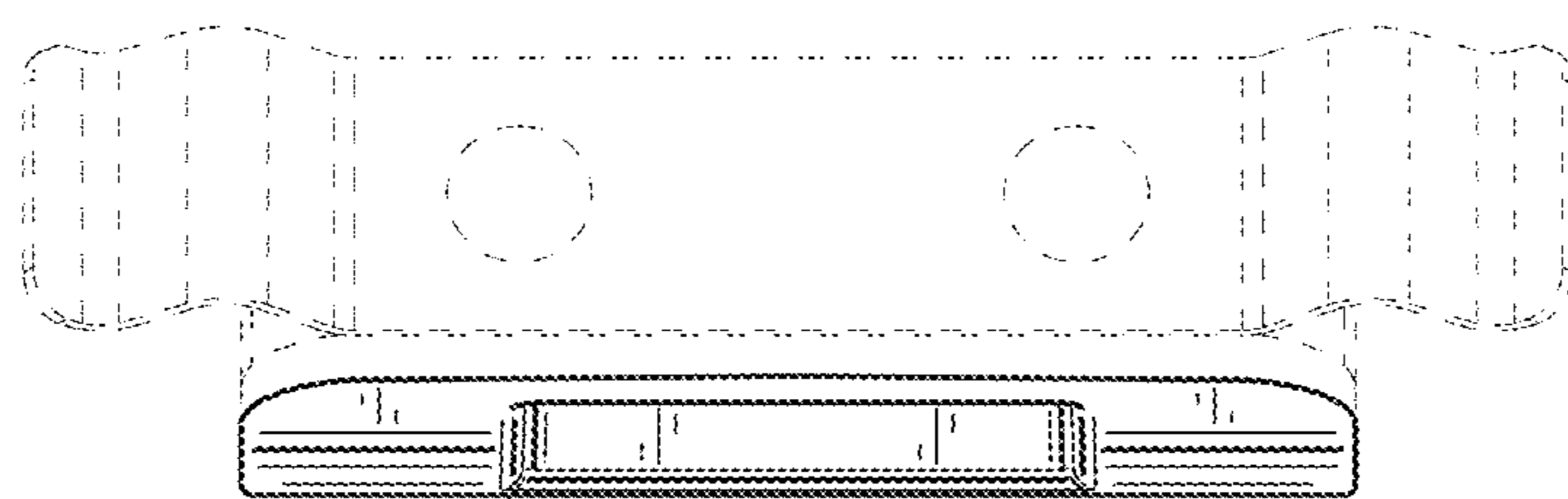


FIG. 7