



US00D710801S

(12) **United States Design Patent**
Tanaka et al.

(10) **Patent No.:** **US D710,801 S**

(45) **Date of Patent:** **** Aug. 12, 2014**

(54) **MOTOR**

(71) Applicant: **Nidec Servo Corporation**, Kiryu (JP)

(72) Inventors: **Hiroyuki Tanaka**, Kiryu (JP); **Runxiang Mao**, Kiryu (JP); **Ryotaro Takahashi**, Kiryu (JP)

(73) Assignee: **Nidec Servo Corporation**, Gumma (JP)

(**) Term: **14 Years**

(21) Appl. No.: **29/466,054**

(22) Filed: **Sep. 4, 2013**

(30) **Foreign Application Priority Data**

Apr. 12, 2013 (JP) D2013-008290

(51) **LOC (10) Cl.** **13-01**

(52) **U.S. Cl.**
USPC **D13/112**

(58) **Field of Classification Search**
USPC D13/112, 113, 114, 122, 199; D15/3, 5,
D15/199; 74/606 R, 609; 310/10, 40 R, 42,
310/51, 58, 71, 80, 83, 85, 89, 91, 109, 236,
310/239, 254; 318/245, 255
See application file for complete search history.

(56) **References Cited**

U.S. PATENT DOCUMENTS

4,244,098 A * 1/1981 Barcus 29/596
4,673,837 A * 6/1987 Gingerich et al. 310/239
D301,574 S * 6/1989 Riggs D13/112
D424,516 S * 5/2000 Friedrichsen D13/112

6,118,197 A * 9/2000 Bohlen 310/89
D516,506 S * 3/2006 Ichimaru et al. D13/112
D551,167 S * 9/2007 Kubota et al. D13/112
D589,879 S * 4/2009 Yokota D13/112
D603,793 S * 11/2009 Lindberg D13/112
D611,410 S * 3/2010 Sturm et al. D13/112
D633,867 S * 3/2011 Sasaki et al. D13/112

FOREIGN PATENT DOCUMENTS

JP 10-304640 A 11/1998
JP 2008-259370 A 10/2008

* cited by examiner

Primary Examiner — Derrick Holland

(74) *Attorney, Agent, or Firm* — Keating & Bennett, LLP

(57) **CLAIM**

The ornamental design for a motor, as shown and described.

DESCRIPTION

FIG. 1 is a front elevation view of a motor according to our new design;

FIG. 2 is a rear elevation view thereof;

FIG. 3 is a right side elevation view thereof;

FIG. 4 is a left side elevation view thereof;

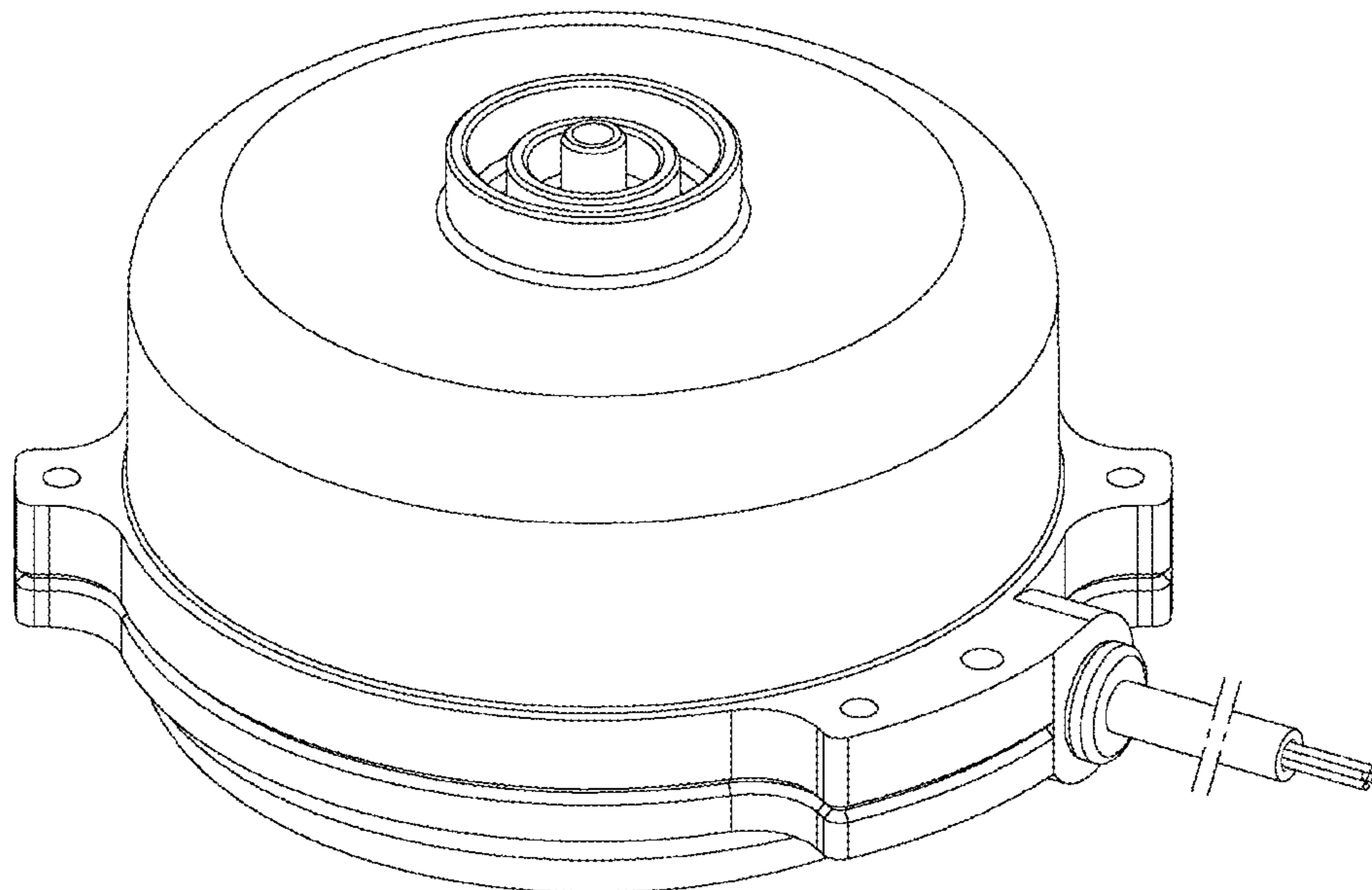
FIG. 5 is a top plan view thereof;

FIG. 6 is a bottom plan view thereof; and,

FIG. 7 is a perspective view thereof.

The portion of the motor shown broken in FIGS. 3-7 indicate indeterminate length. The examiner finds the claim definite under 35 USC 112 second paragraph with the understanding that the “indeterminate” portion of the article forms no part of the claim design. Patentability is based only on those portions of the motor that are shown in solid lines.

1 Claim, 7 Drawing Sheets



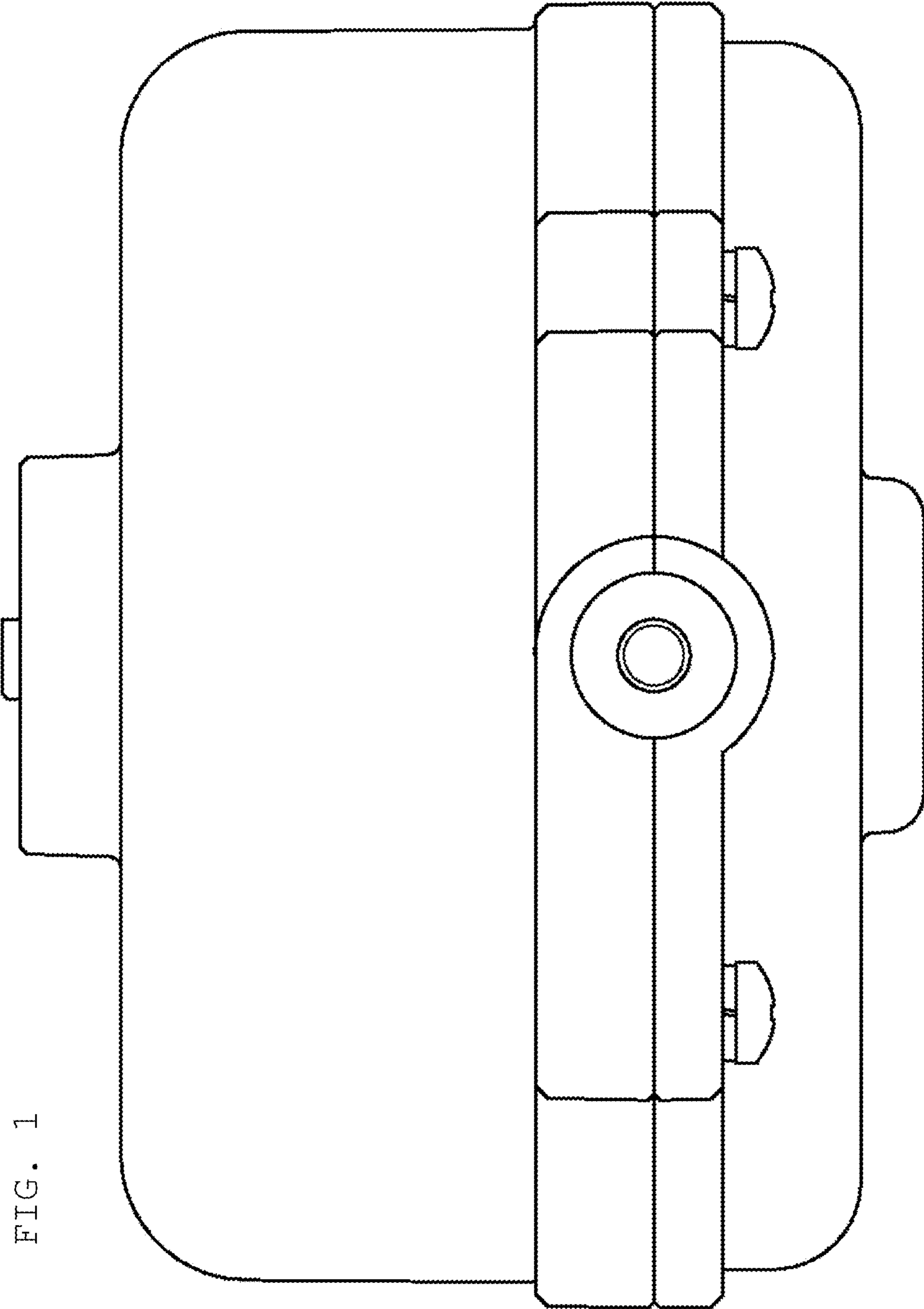


FIG. 1

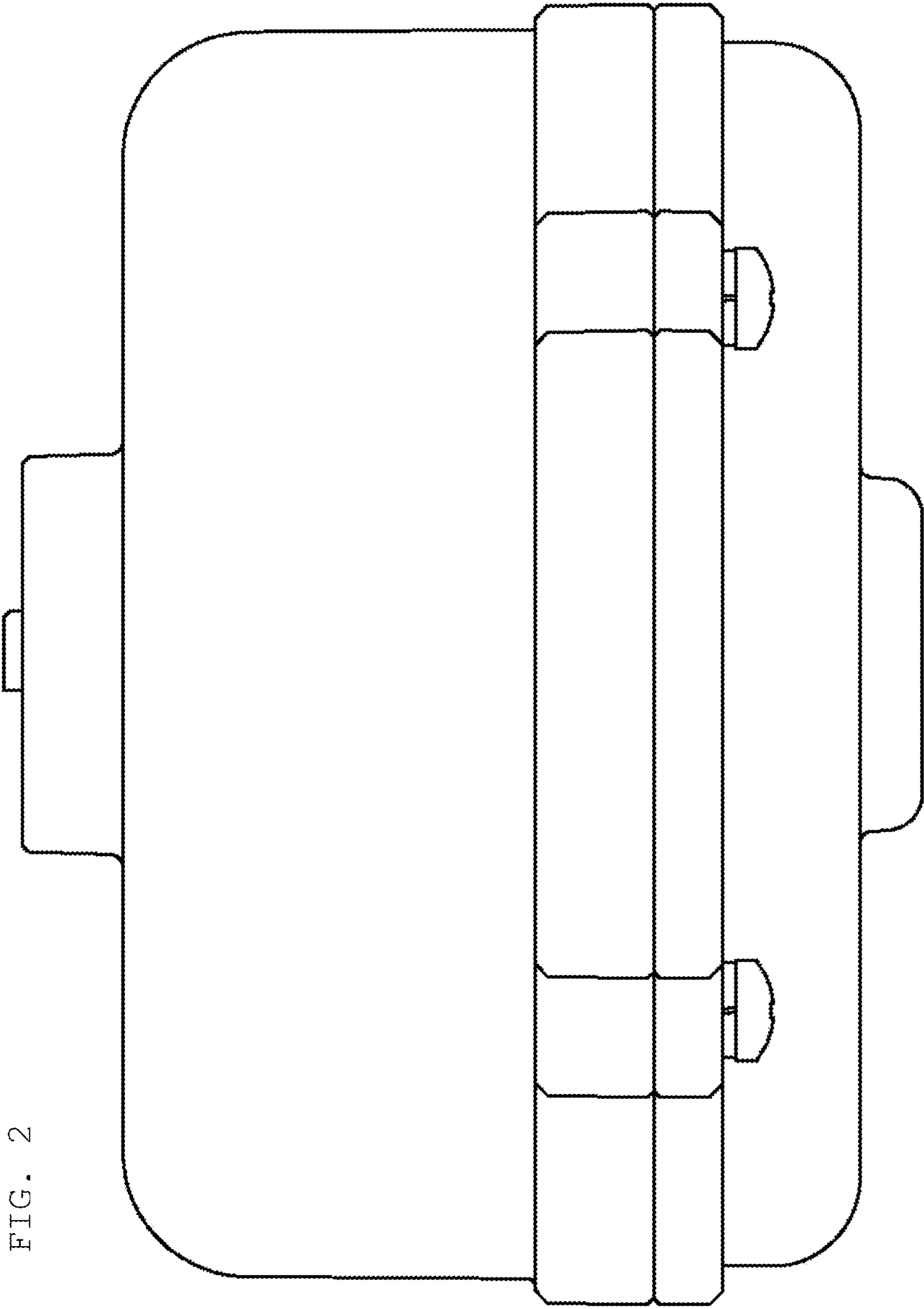


FIG. 2

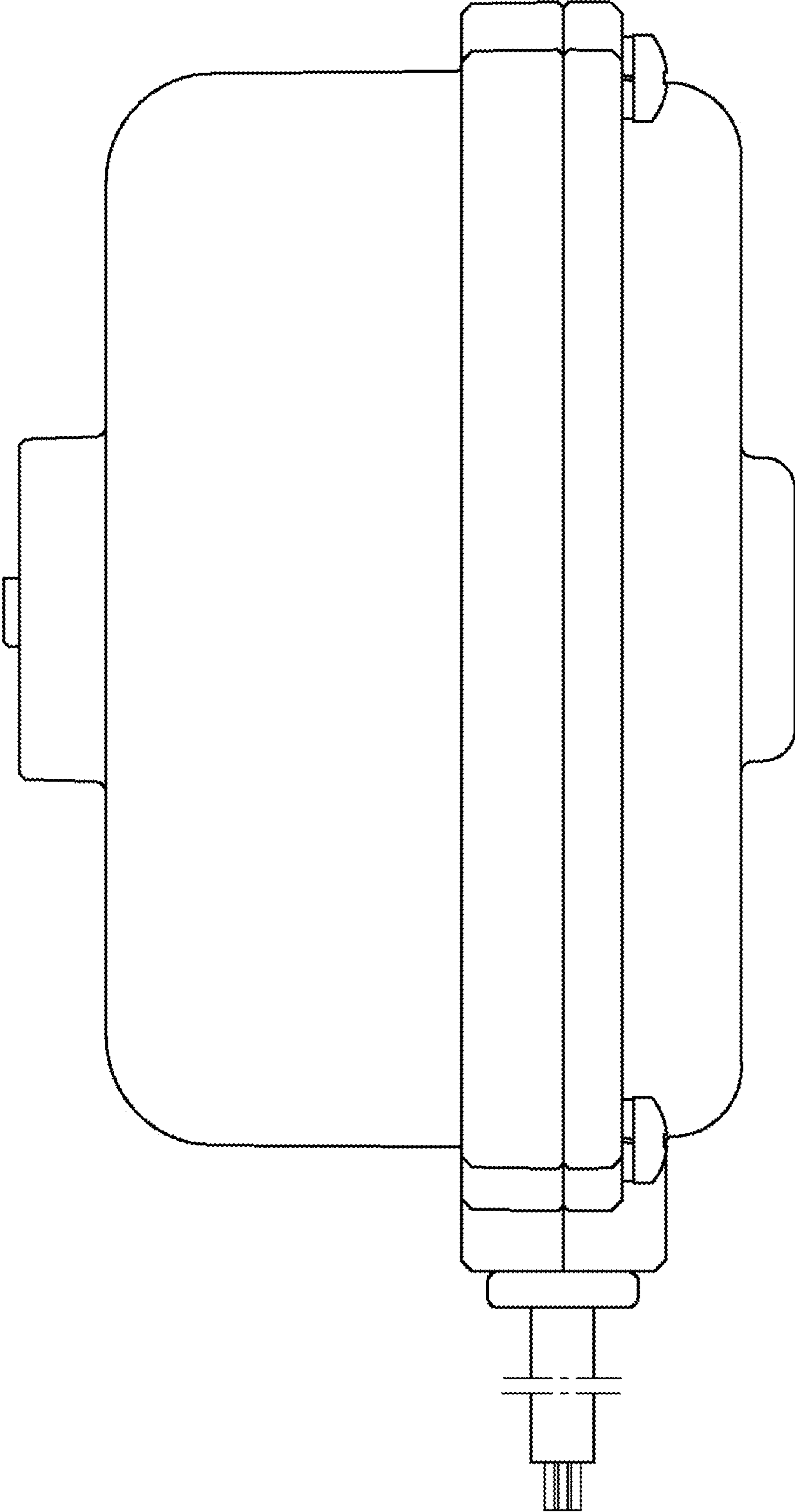


FIG. 3

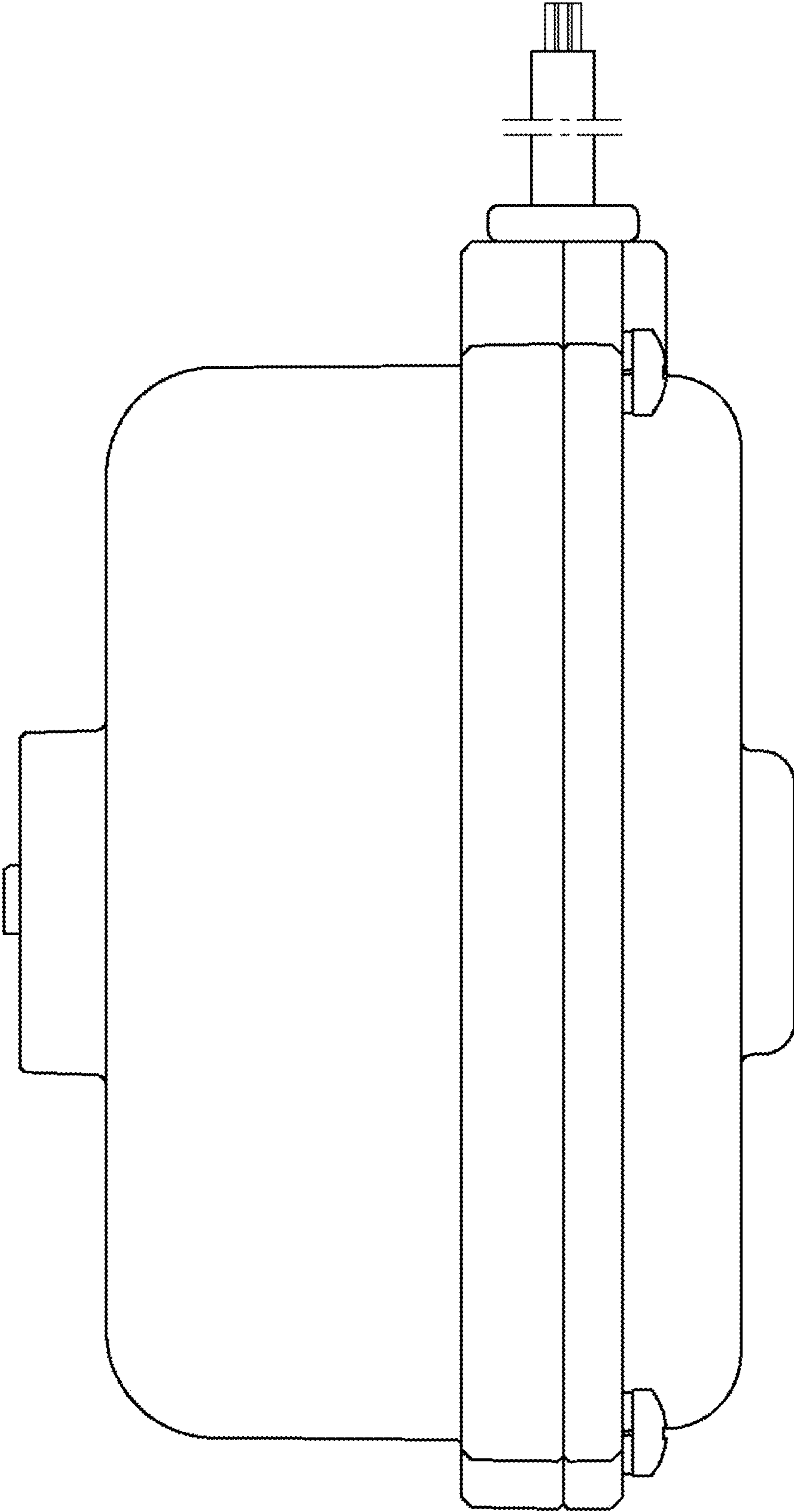


FIG. 4

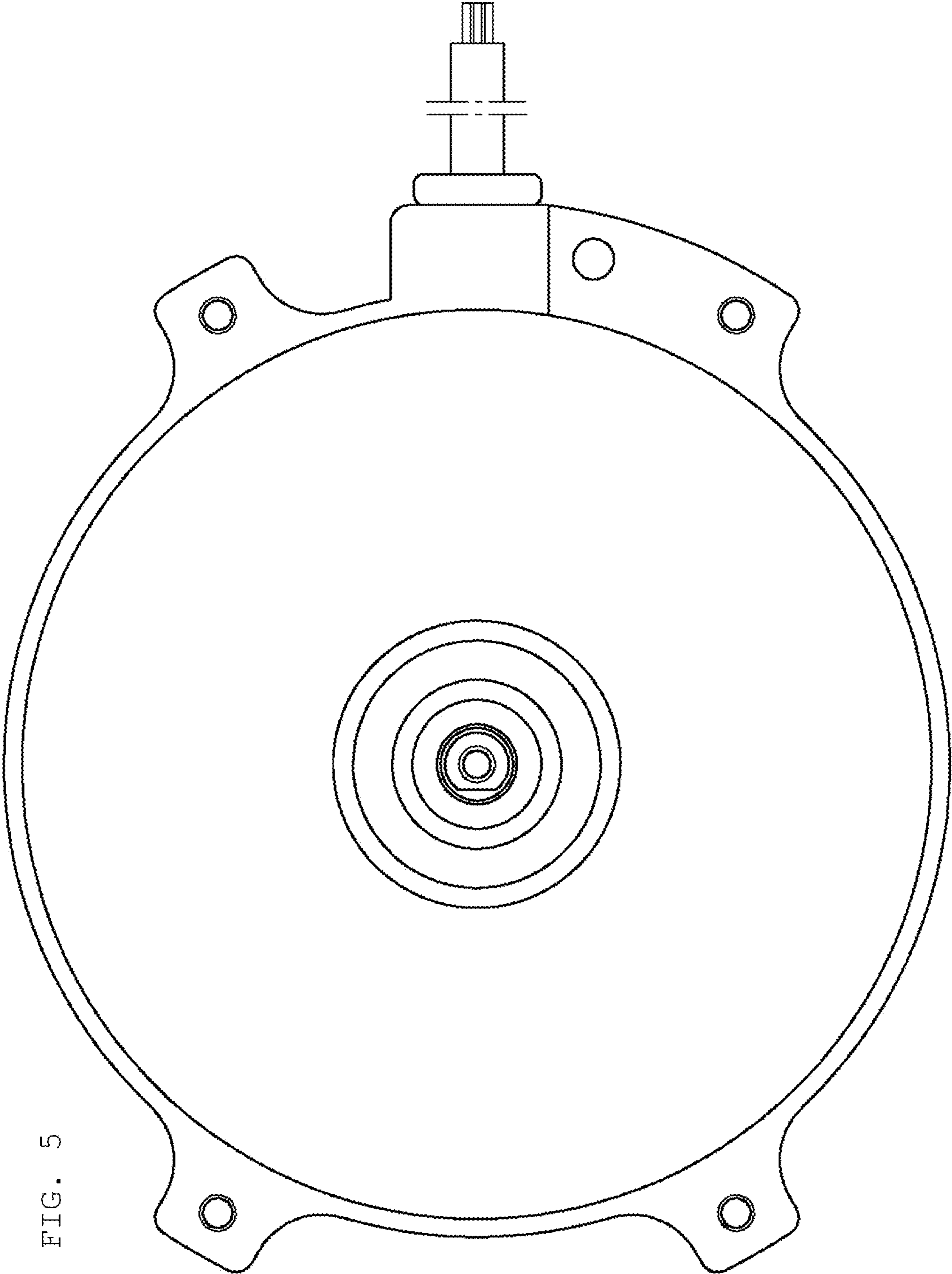


FIG. 5

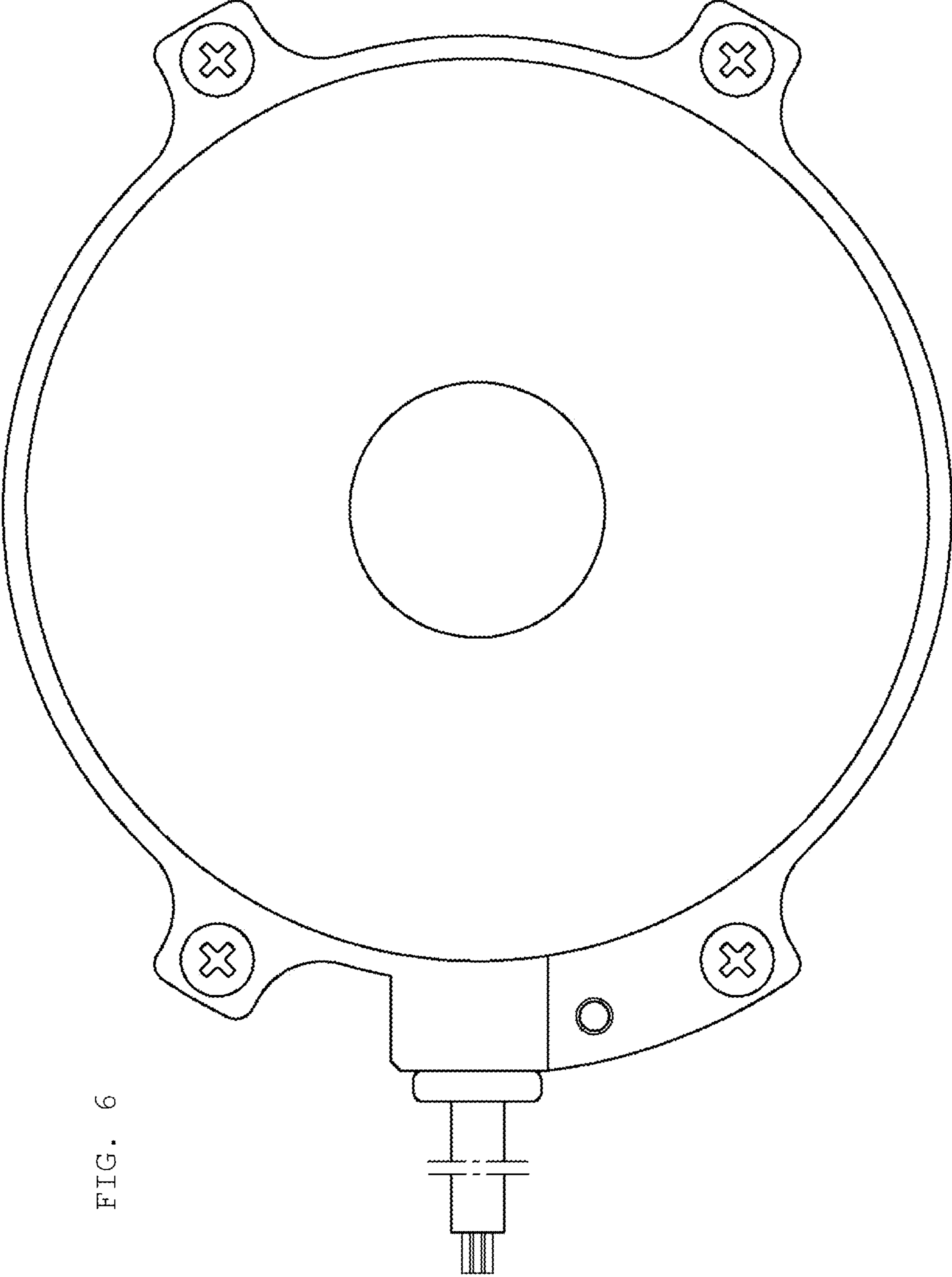


FIG. 6

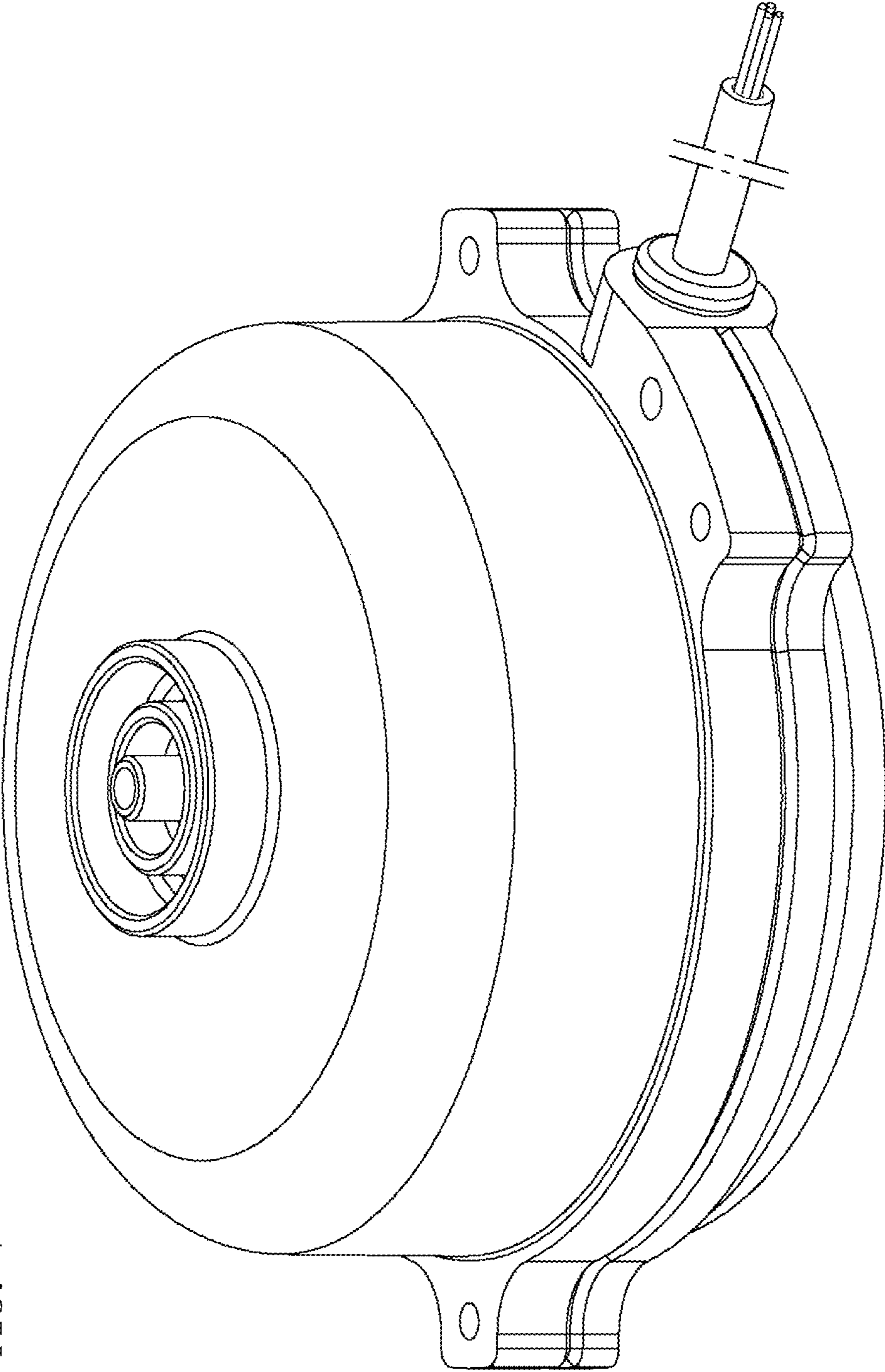


FIG. 7