



US00D710800S

(12) **United States Design Patent**
Chen

(10) **Patent No.:** **US D710,800 S**
(45) **Date of Patent:** **** Aug. 12, 2014**

(54) **CYLINDRICAL TRANSFORMER**

(75) Inventor: **Johnny Chen**, Sindian (TW)

(73) Assignee: **Willis Electric Co., Ltd.**, Taipei (TW)

(**) Term: **14 Years**

(21) Appl. No.: **29/392,819**

(22) Filed: **May 26, 2011**

(51) **LOC (10) Cl.** **13-02**

(52) **U.S. Cl.**
USPC **D13/110**

(58) **Field of Classification Search**

USPC D13/101, 102, 110, 112, 114, 118, 144;
439/483, 623, 624, 627, 668, 669, 670;
174/68.1, 72 R, 73.1, 74 A, 88 R, 251

See application file for complete search history.

(56) **References Cited**

U.S. PATENT DOCUMENTS

1,799,158	A *	4/1931	Emanuelli	174/88 R
3,452,321	A *	6/1969	Carissimi et al.	439/483
4,519,014	A *	5/1985	Skovran et al.	361/748
4,875,952	A *	10/1989	Mullin et al.	156/48
D316,076	S *	4/1991	Keating	D13/144
D330,887	S *	11/1992	Wharton	D13/144
5,474,476	A *	12/1995	Cheng	439/675
D367,257	S	2/1996	Buelow et al.		
D406,261	S *	3/1999	Kettula et al.	D13/144
D427,142	S *	6/2000	Luh et al.	D13/103
D442,543	S *	5/2001	Krumenacker et al.	D13/107
D455,712	S *	4/2002	Hsiao	D13/108
D507,527	S *	7/2005	Huang	D13/110
6,919,693	B2 *	7/2005	Fushimi	315/219
D509,797	S	9/2005	Milan		
6,979,962	B2 *	12/2005	Cavarec et al.	318/9
D530,277	S	10/2006	Lin		
D546,768	S *	7/2007	Sengupta et al.	D13/151
D553,079	S *	10/2007	Poulet et al.	D13/112

(Continued)

Primary Examiner — Derrick Holland

Assistant Examiner — Lauren Calve

(74) *Attorney, Agent, or Firm* — Christensen Fonder P.A.

(57) **CLAIM**

I claim the ornamental design for a cylindrical transformer, as shown.

DESCRIPTION

FIG. 1 is a front elevation view of a first embodiment of a cylindrical transformer showing my new design;

FIG. 2 is a right-side elevation view of the cylindrical transformer of FIG. 1;

FIG. 3 is a left-side elevation view of the cylindrical transformer of FIG. 1.

FIG. 4 is a top plan view of the cylindrical transformer of FIG. 1;

FIG. 5 is a bottom plan view of the cylindrical transformer of FIG. 1;

FIG. 6 is a rear elevation view of the cylindrical transformer of FIG. 1;

FIG. 7 is a front perspective view of the cylindrical transformer of FIG. 1.

FIG. 8 is a front elevation view of a second embodiment of a cylindrical transformer showing my new design;

FIG. 9 is a right-side elevation view of the cylindrical transformer of FIG. 8;

FIG. 10 is a left-side elevation view of the cylindrical transformer of FIG. 8;

FIG. 11 is a top plan view of the cylindrical transformer of FIG. 8;

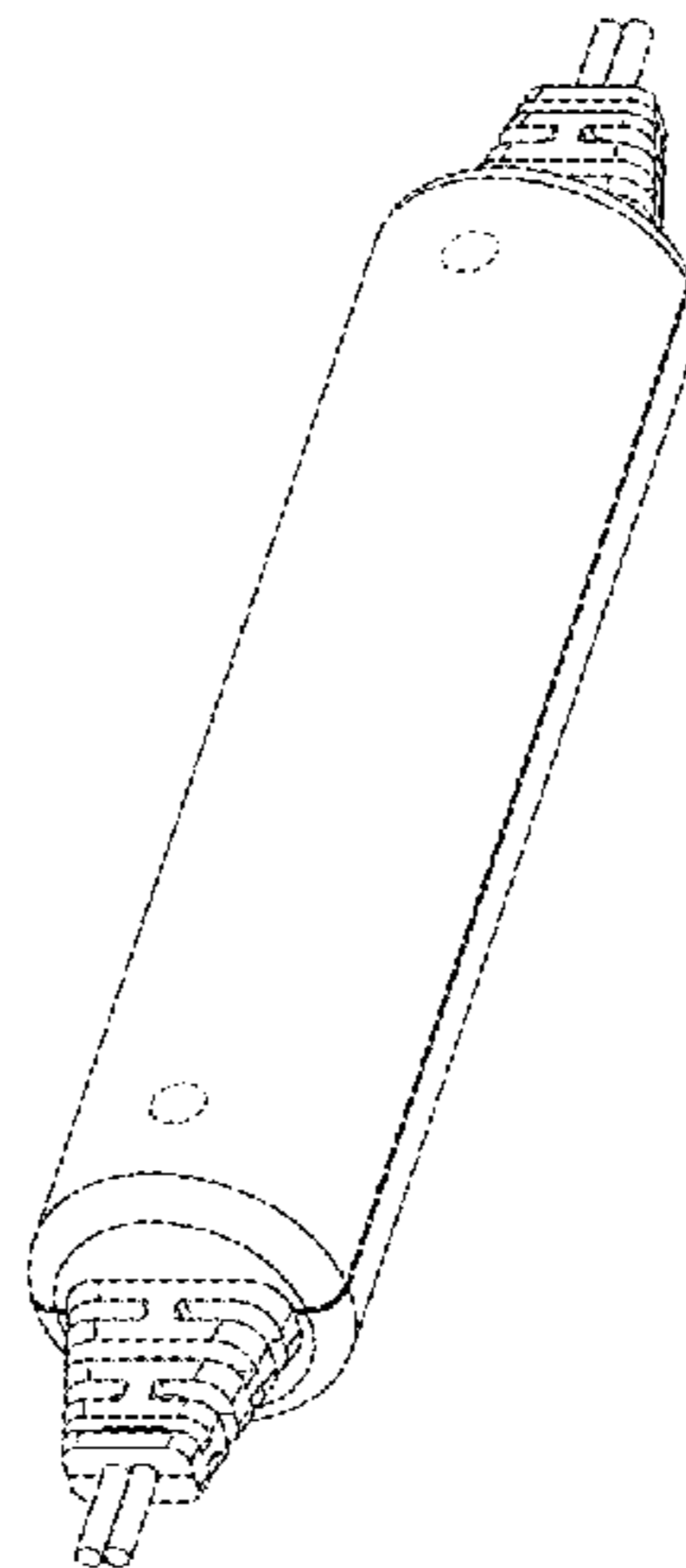
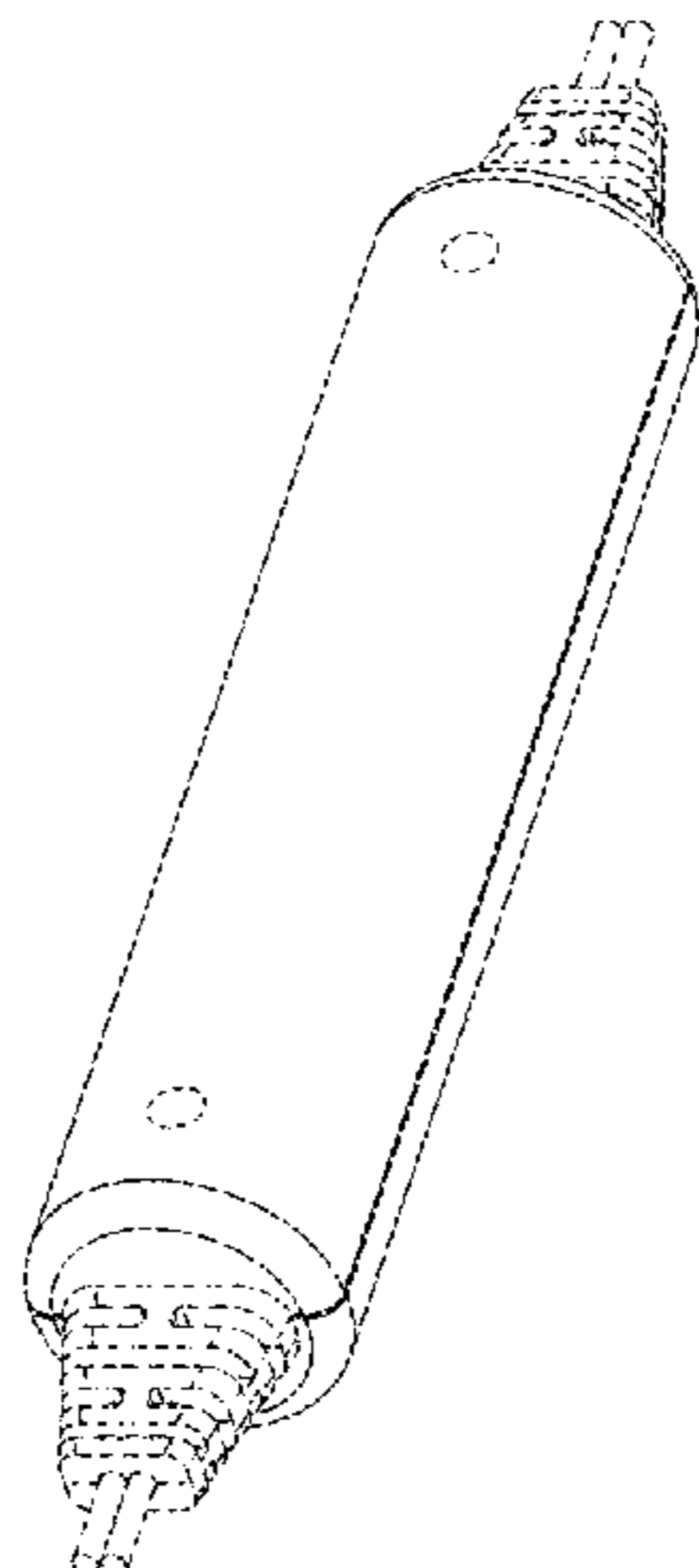
FIG. 12 is a bottom plan view of the cylindrical transformer of FIG. 8;

FIG. 13 is a rear elevation view of the cylindrical transformer of FIG. 8; and,

FIG. 14 is a front perspective view of the cylindrical transformer of FIG. 8.

The broken line showing of a cylindrical transformer represents the unclaimed subject matter and forms no part of the claimed design.

1 Claim, 4 Drawing Sheets



US D710,800 S

Page 2

(56)

References Cited

U.S. PATENT DOCUMENTS

7,314,998 B2 * 1/2008 Amato et al. 174/84 R
D582,846 S 12/2008 Lett
7,648,401 B2 * 1/2010 Guenther et al. 439/669

D632,653 S * 2/2011 Wikel et al. D13/144
2005/0006126 A1 * 1/2005 Aisenbrey 174/68.1
2006/0032658 A1 * 2/2006 Abe 174/75 C
2006/0275656 A1 * 12/2006 Feddrix et al. 429/179
2010/0330399 A1 * 12/2010 Grossman 429/7

* cited by examiner



Fig. 1

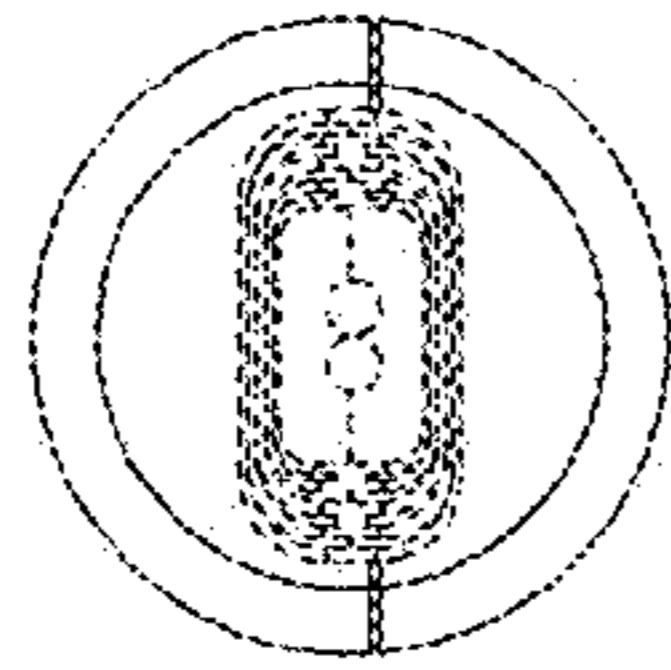


Fig. 2

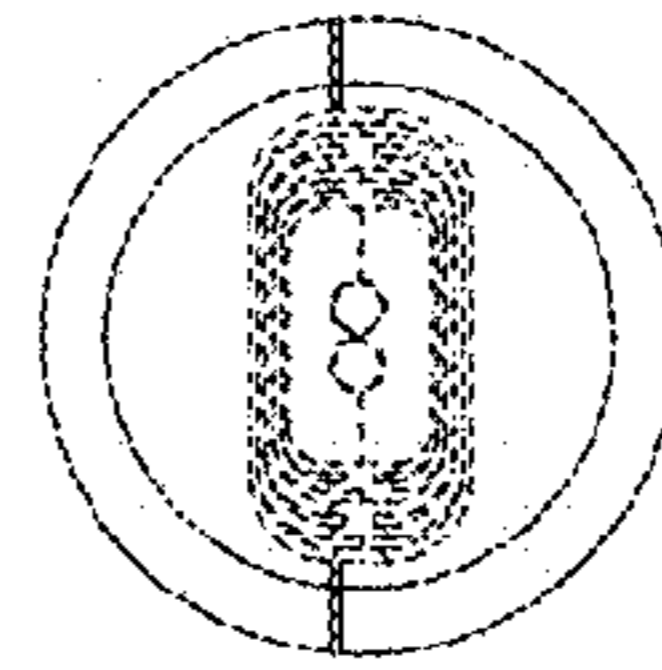


Fig. 3

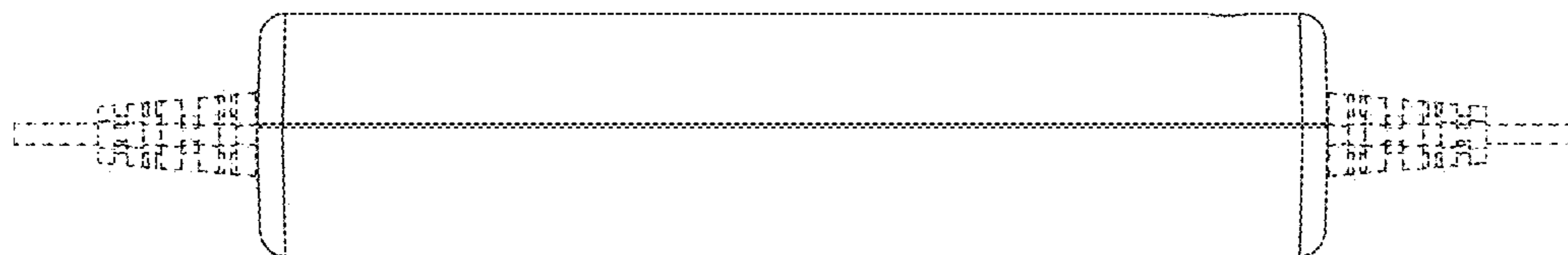


Fig. 4



Fig. 5

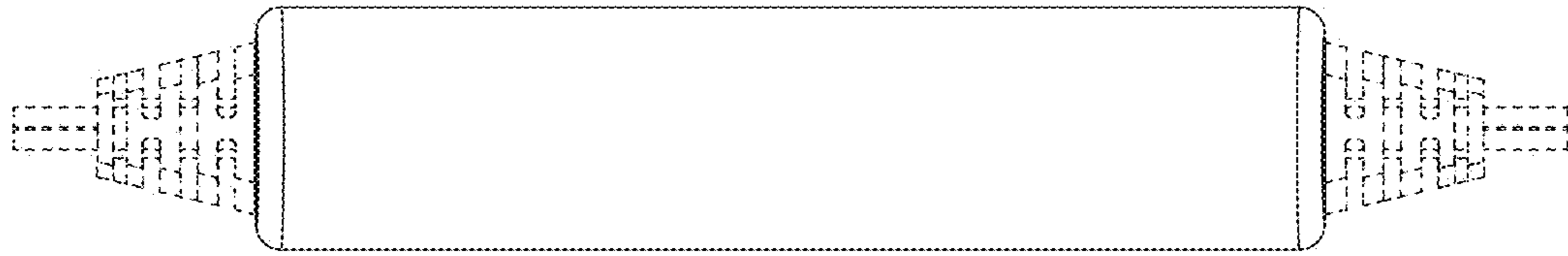


Fig. 6

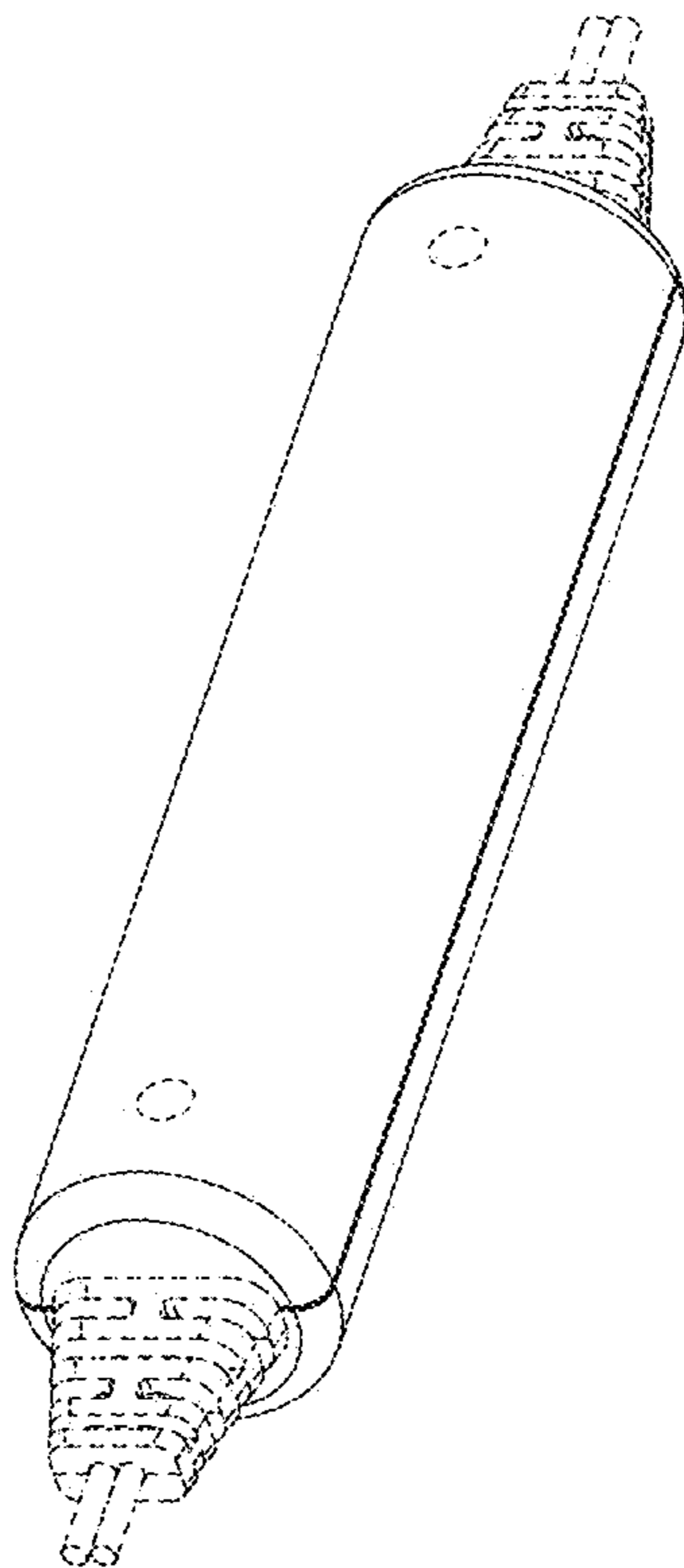


Fig. 7



Fig. 8

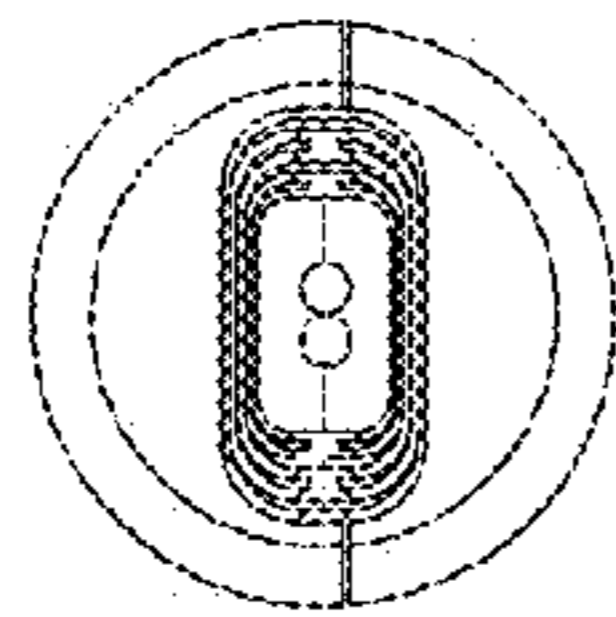


Fig. 9

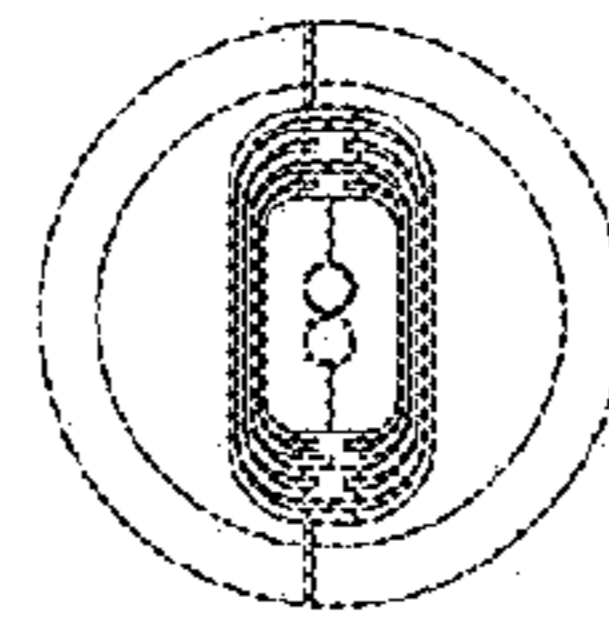


Fig. 10

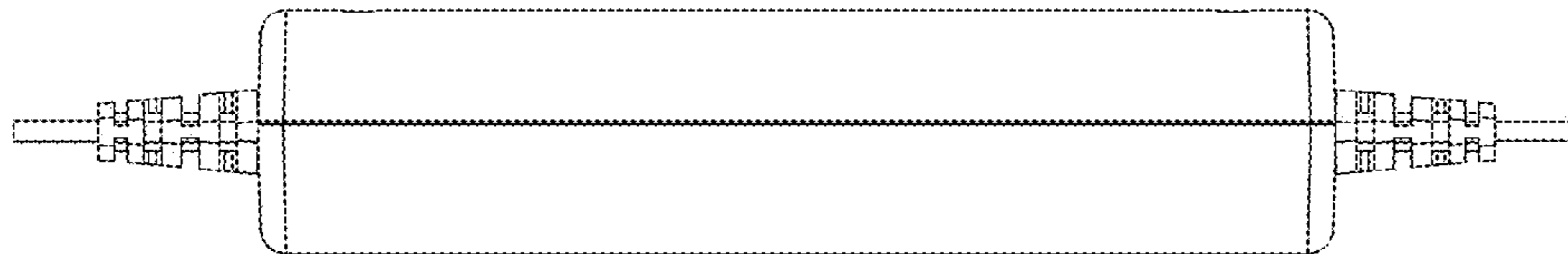


Fig. 11

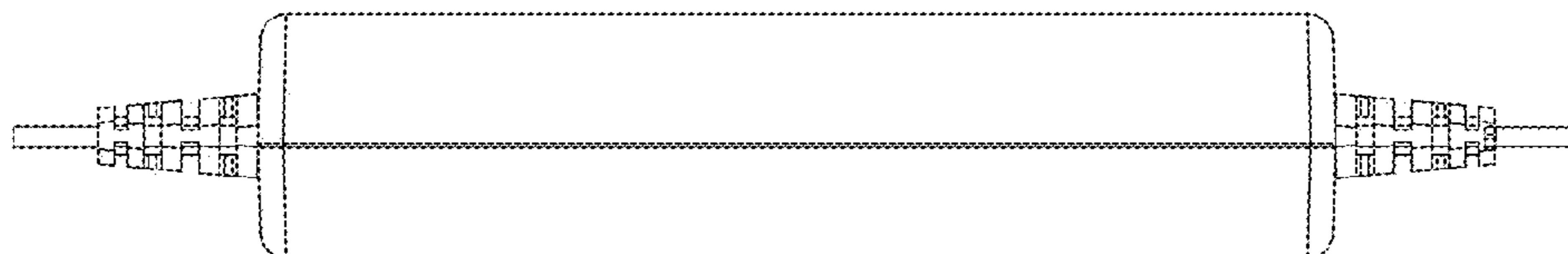


Fig. 12

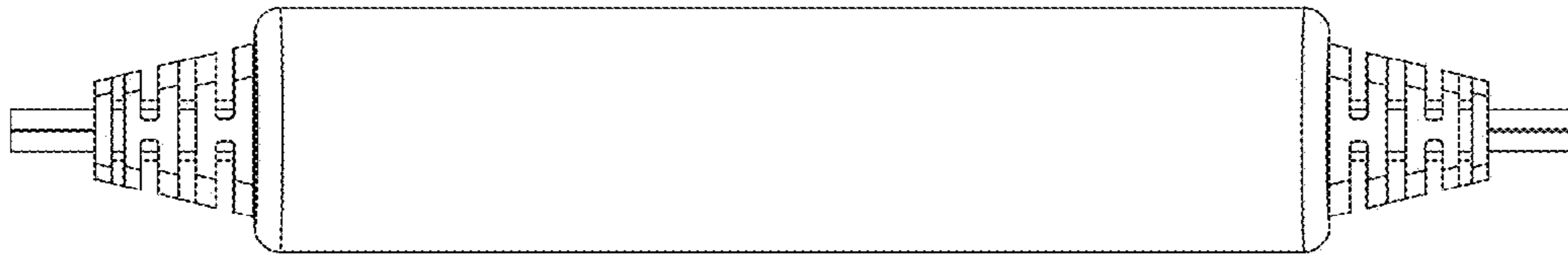


Fig. 13

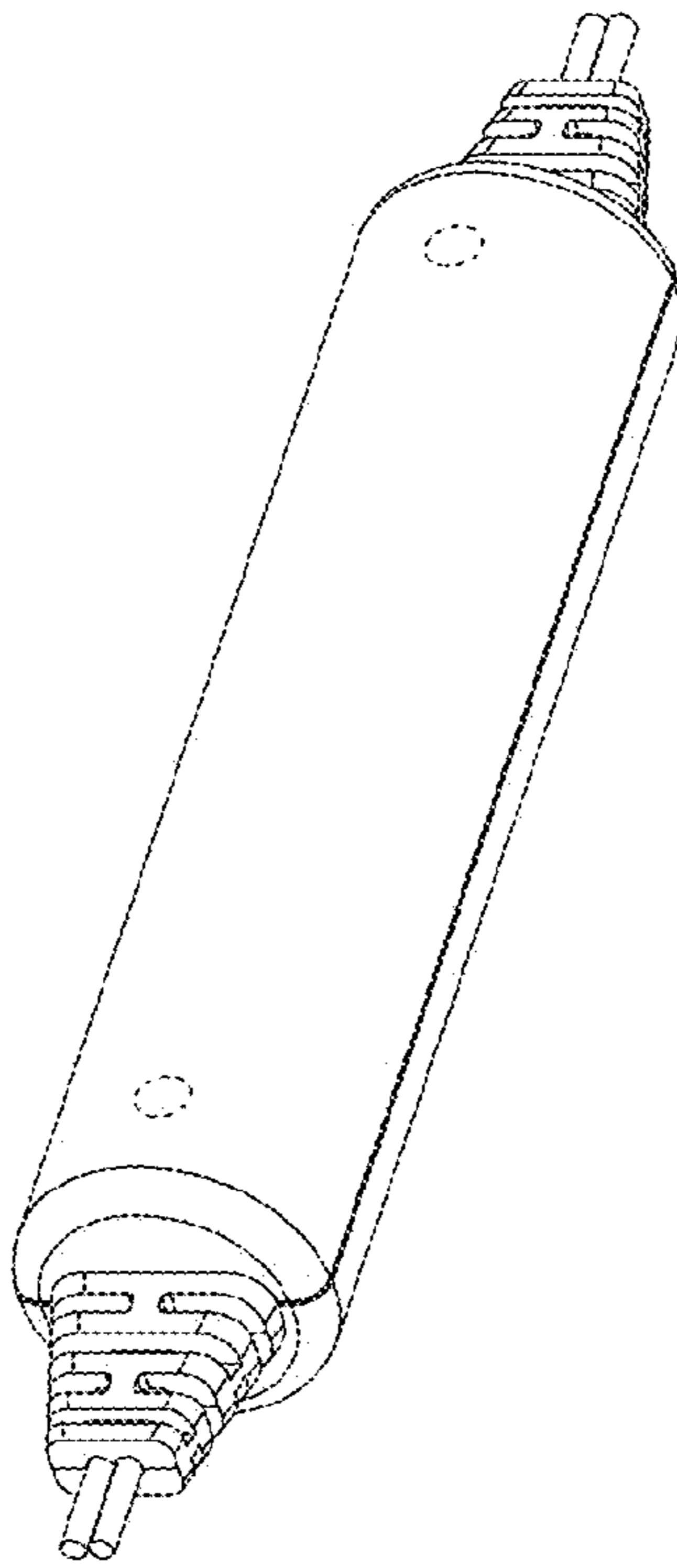


Fig. 14