



US00D710798S

(12) **United States Design Patent**  
**Awiszus et al.**

(10) **Patent No.:** **US D710,798 S**

(45) **Date of Patent:** **\*\* Aug. 12, 2014**

(54) **HEADSET BATTERY CHARGER**

(71) Applicant: **3M Innovative Properties Company**,  
St. Paul, MN (US)

(72) Inventors: **Steven T. Awiszus**, Woodbury, MN (US);  
**Johan M. Sallander**, Jönköping (SE)

(73) Assignee: **3M Innovative Properties Company**,  
St. Paul, MN (US)

(\*\*) Term: **14 Years**

(21) Appl. No.: **29/470,542**

(22) Filed: **Oct. 22, 2013**

(51) **LOC (10) Cl.** ..... **13-02**

(52) **U.S. Cl.**  
USPC ..... **D13/107**

(58) **Field of Classification Search**  
CPC ..... Y02E 60/12; Y02T 90/14; Y02T 90/122;  
Y02T 90/128; Y02T 90/163; H02J 7/025;  
H02J 7/0042; H02J 7/0044; H02J 7/0045;  
H02J 7/0003; H01F 38/14; H01R 13/6675;  
H01M 2/1022; H01M 2/1055; H01M 10/44;  
H01M 10/46; H01M 10/425; B60L 11/182  
USPC ..... D13/107-110, 118-119, 184, 199;  
D14/251, 253, 432, 434; 320/107-115  
See application file for complete search history.

(56) **References Cited**

**U.S. PATENT DOCUMENTS**

D241,555 S \* 9/1976 Goldman et al. .... D13/107  
D278,704 S \* 5/1985 Claxton et al. .... D13/107  
D397,084 S \* 8/1998 Siddoway ..... D13/107

D509,788 S \* 9/2005 Schlieffers et al. .... D13/108  
D510,562 S \* 10/2005 Lodato et al. .... D13/108  
D519,921 S \* 5/2006 Claxton et al. .... D13/108  
D520,447 S \* 5/2006 Liu ..... D13/108  
D523,810 S \* 6/2006 Doong ..... D13/108  
D530,667 S \* 10/2006 Viduya et al. .... D13/107  
D588,536 S \* 3/2009 Wahl et al. .... D13/108  
D601,953 S \* 10/2009 Asai ..... D13/107  
8,169,191 B2 \* 5/2012 Werthman et al. .... 320/132  
D680,066 S \* 4/2013 Kinoshita et al. .... D13/107  
8,482,251 B2 \* 7/2013 McGary et al. .... 320/114  
2007/0216352 A1 \* 9/2007 Shaddle ..... 320/114  
2009/0212738 A1 \* 8/2009 Coonan et al. .... 320/113  
2011/0193523 A1 \* 8/2011 Law ..... 320/113  
2013/0328523 A1 \* 12/2013 Ota et al. .... 320/107

\* cited by examiner

*Primary Examiner* — Rosemary K Tarcza

(74) *Attorney, Agent, or Firm* — David B. Patchett

(57) **CLAIM**

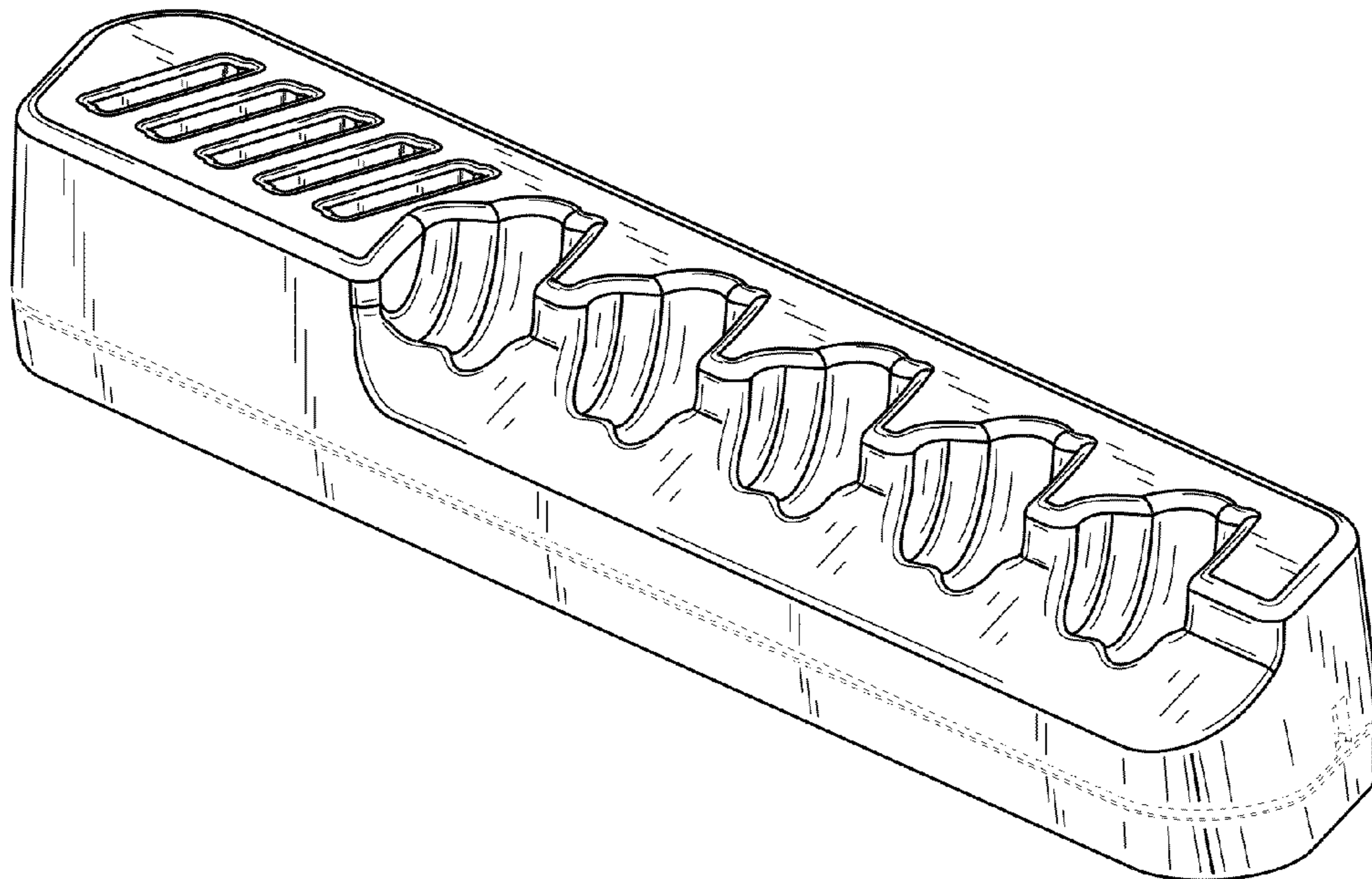
The ornamental design for a headset battery charger, as shown and described.

**DESCRIPTION**

FIG. 1 is a perspective view showing the new design for a headset battery charger;  
FIG. 2 is a front view thereof;  
FIG. 3 is a back view thereof;  
FIG. 4 is a left side view thereof;  
FIG. 5 is a right side view thereof;  
FIG. 6 is a top view thereof; and,  
FIG. 7 is a bottom view thereof.

The broken lines in the drawings are shown for illustrative purposes only and form no part of the claimed design.

**1 Claim, 3 Drawing Sheets**



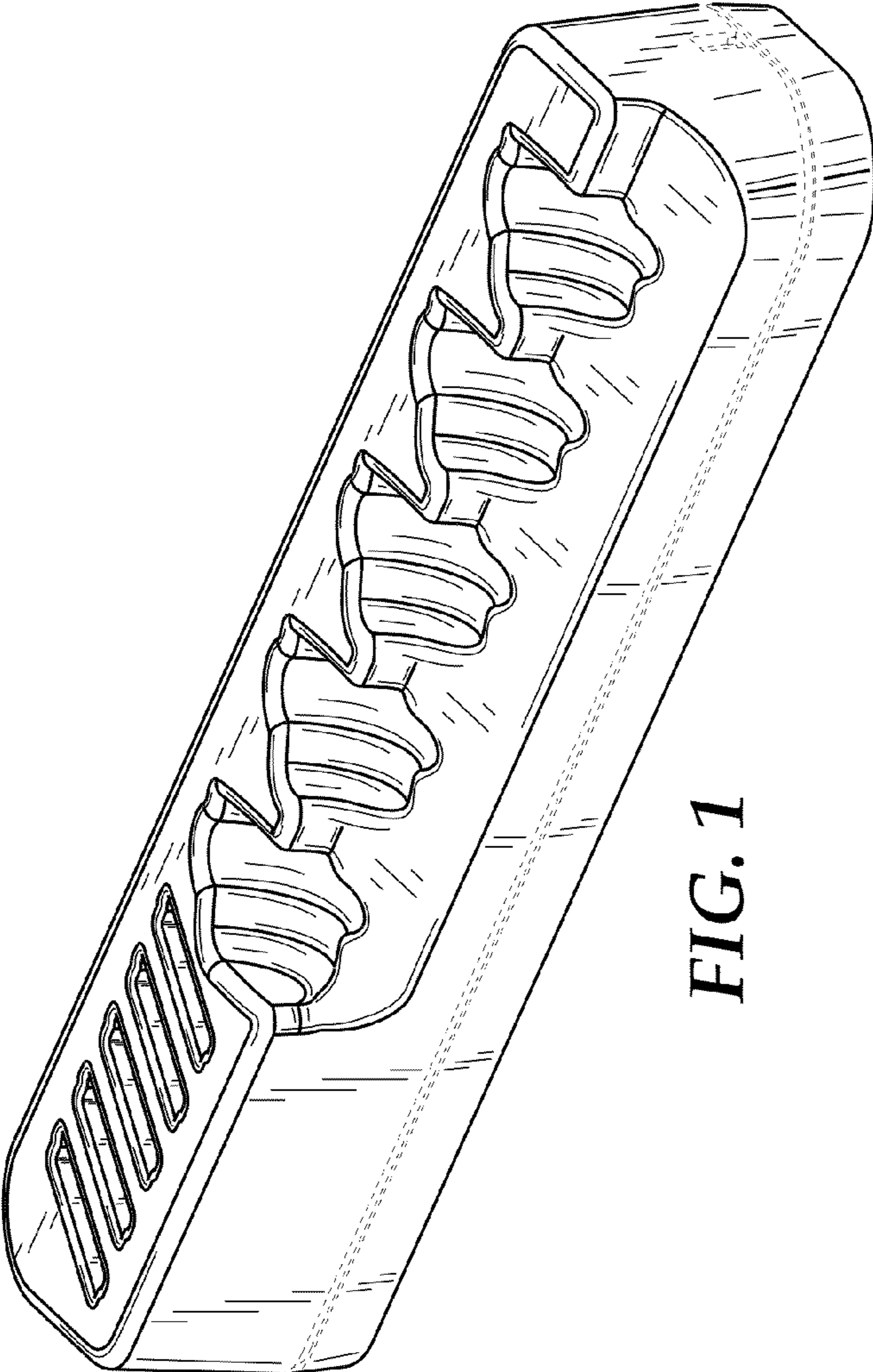


FIG. 1

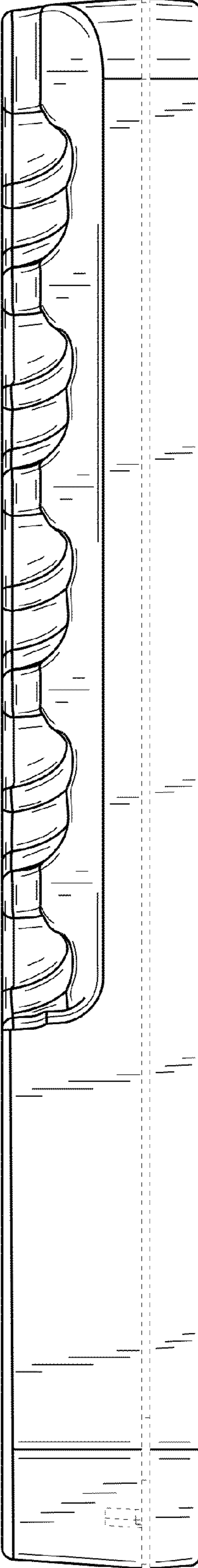


FIG. 2

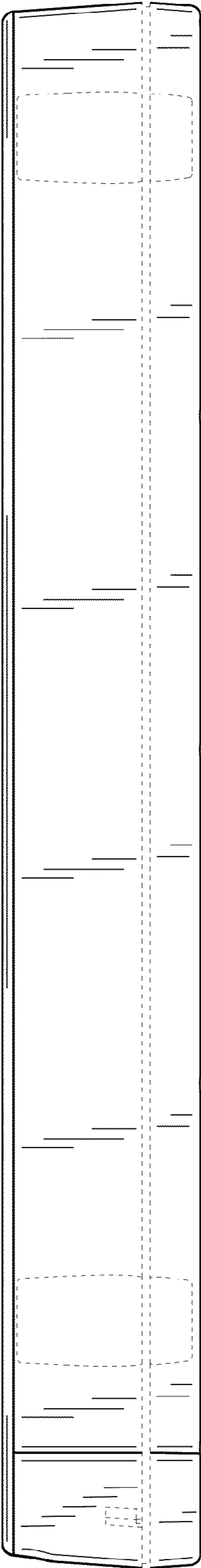


FIG. 3

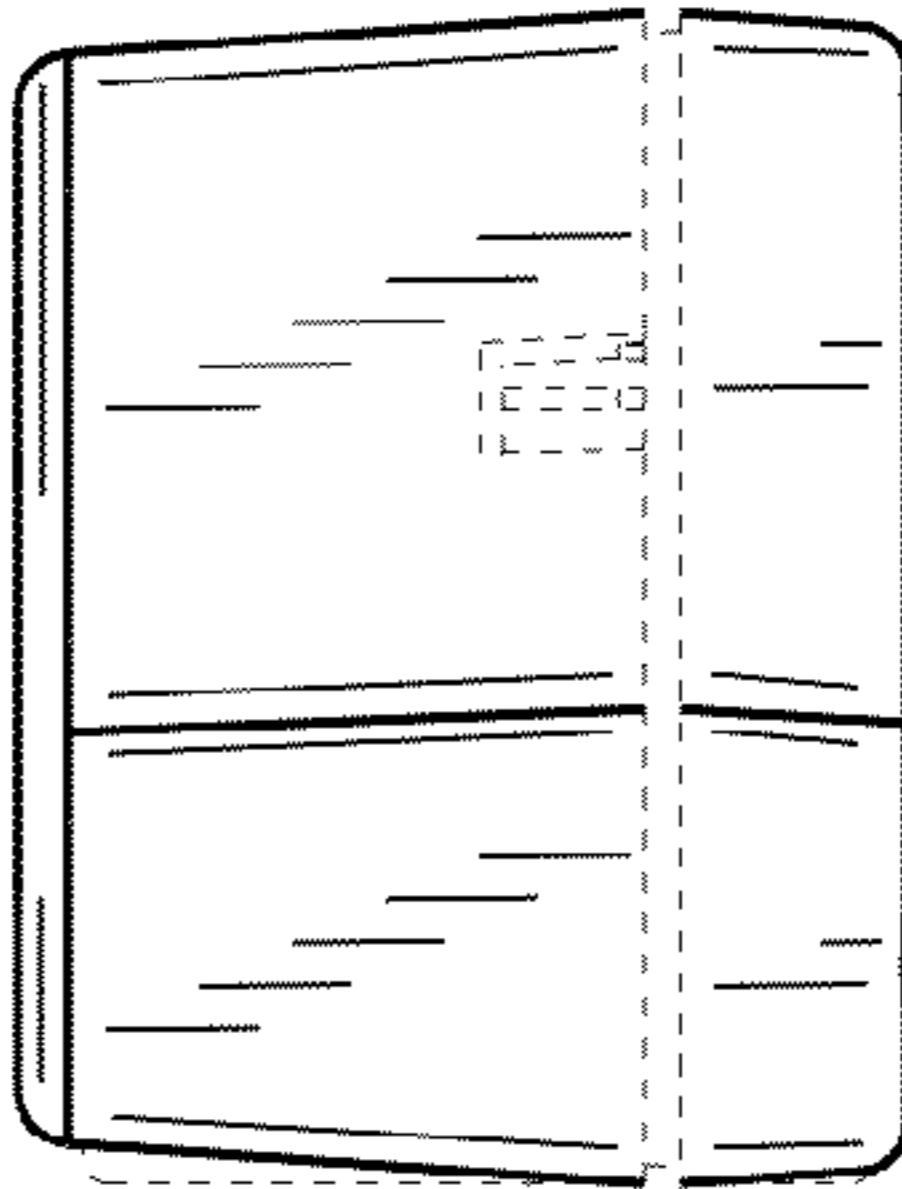


FIG. 4

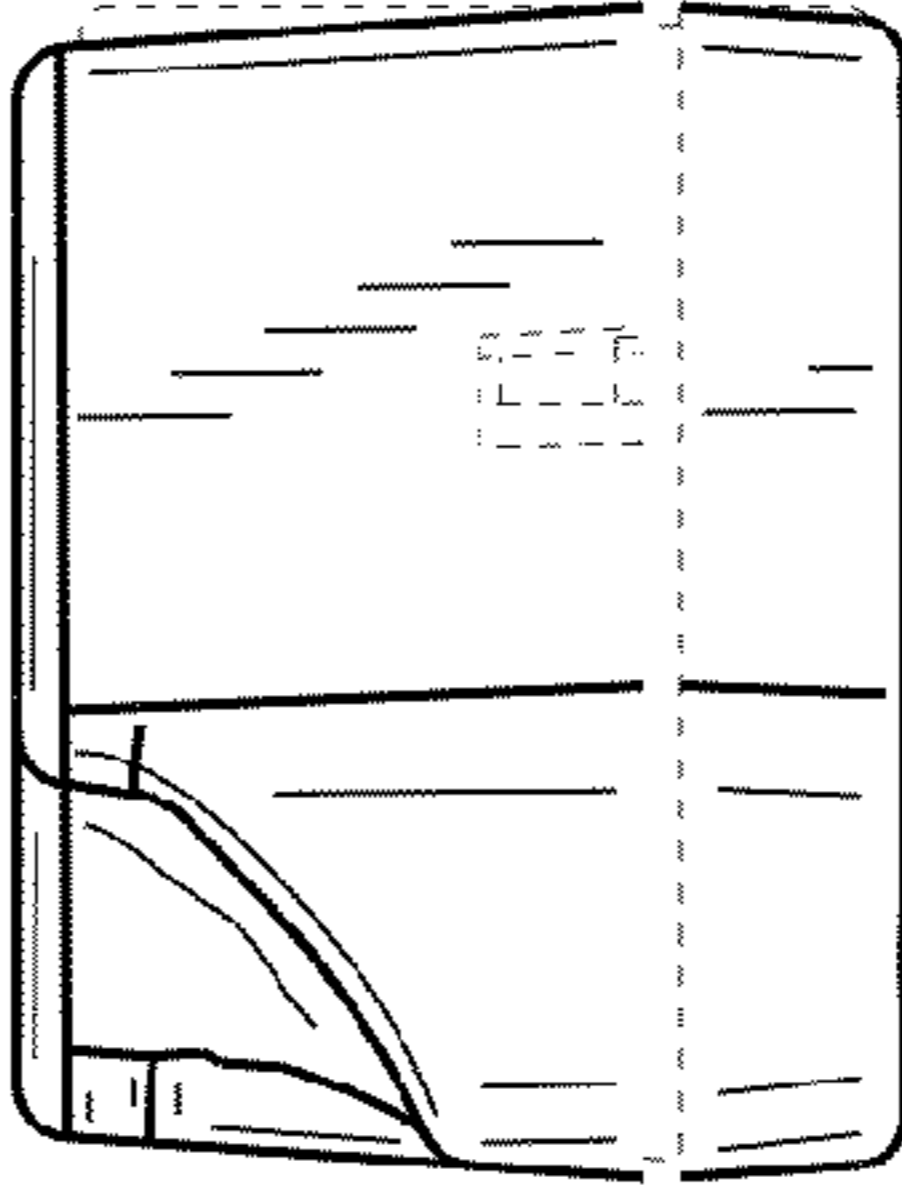


FIG. 5

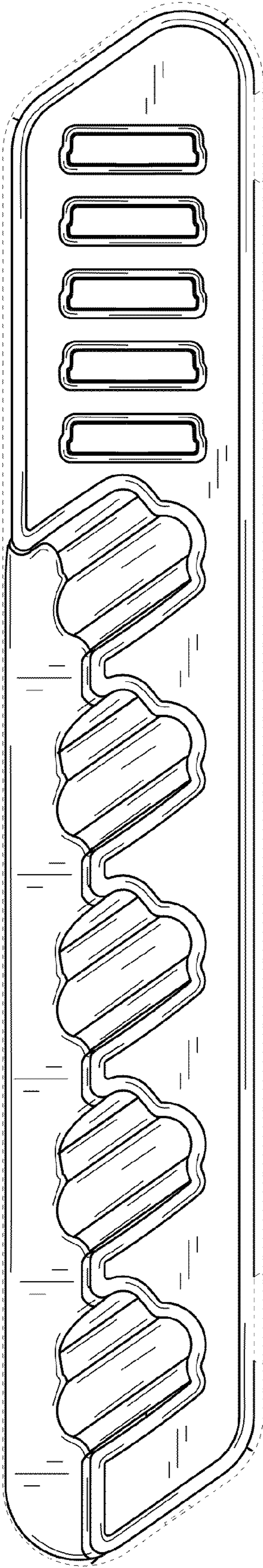


FIG. 6

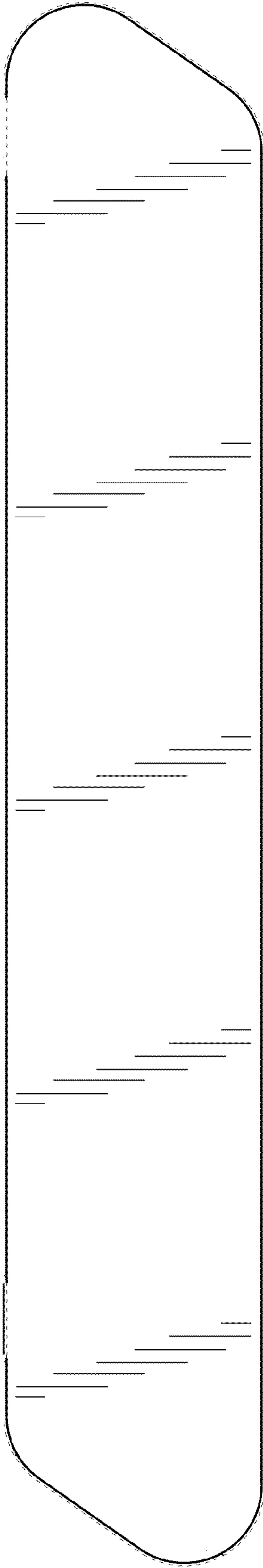


FIG. 7