



US00D710795S

(12) **United States Design Patent**
Gupta et al.

(10) **Patent No.:** **US D710,795 S**

(45) **Date of Patent:** **** Aug. 12, 2014**

(54) **COMBINATION BATTERY AND CASE FOR ELECTRONIC EQUIPMENT**

(71) Applicants: **Sumeet Kumar Gupta**, Santa Monica, CA (US); **Joseph Bryant Carrillo**, Santa Monica, CA (US)

(72) Inventors: **Sumeet Kumar Gupta**, Santa Monica, CA (US); **Joseph Bryant Carrillo**, Santa Monica, CA (US)

(**) Term: **14 Years**

(21) Appl. No.: **29/465,141**

(22) Filed: **Aug. 23, 2013**

(51) **LOC (10) Cl.** **13-02**

(52) **U.S. Cl.**

USPC **D13/103**; D13/108; D14/250

(58) **Field of Classification Search**

USPC D13/102–110, 118–119, 184, 199; D14/250–253, 432, 434; 320/101–102, 320/107–115, 120; 429/96–100, 149, 159, 429/163, 175, 176, 177, 186

See application file for complete search history.

(56) **References Cited**

U.S. PATENT DOCUMENTS

D556,681	S	*	12/2007	Kim	D13/103
D616,361	S	*	5/2010	Huang	D13/103
D624,909	S	*	10/2010	Huskinson	D14/250
D653,202	S	*	1/2012	Hasbrook et al.	D13/103
D663,263	S	*	7/2012	Gupta et al.	D13/103
D671,493	S	*	11/2012	Hasbrook et al.	D13/119
D675,603	S	*	2/2013	Melanson et al.	D14/250
D676,032	S	*	2/2013	Stump et al.	D14/250

8,367,235	B2	*	2/2013	Huang	429/96
D677,249	S	*	3/2013	Li et al.	D14/250
D679,271	S	*	4/2013	Liu	D14/250
2011/0159324	A1	*	6/2011	Huang et al.	429/7
2011/0287726	A1	*	11/2011	Huang	455/90.3
2011/0287808	A1	*	11/2011	Huang	455/557
2012/0303520	A1	*	11/2012	Huang	705/39

* cited by examiner

Primary Examiner — Rosemary K Tarca

(74) *Attorney, Agent, or Firm* — QuickPatents; Kevin Prince

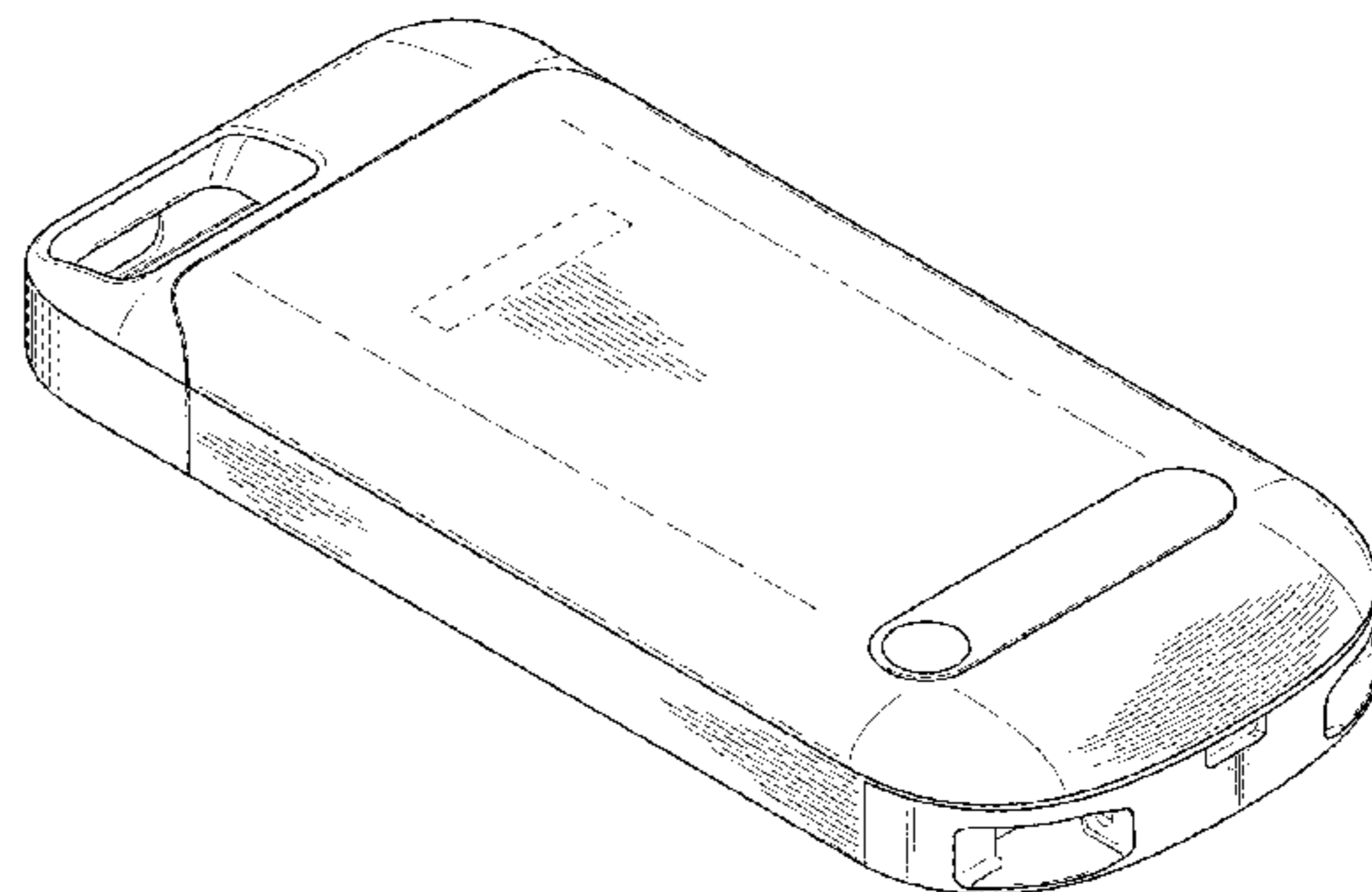
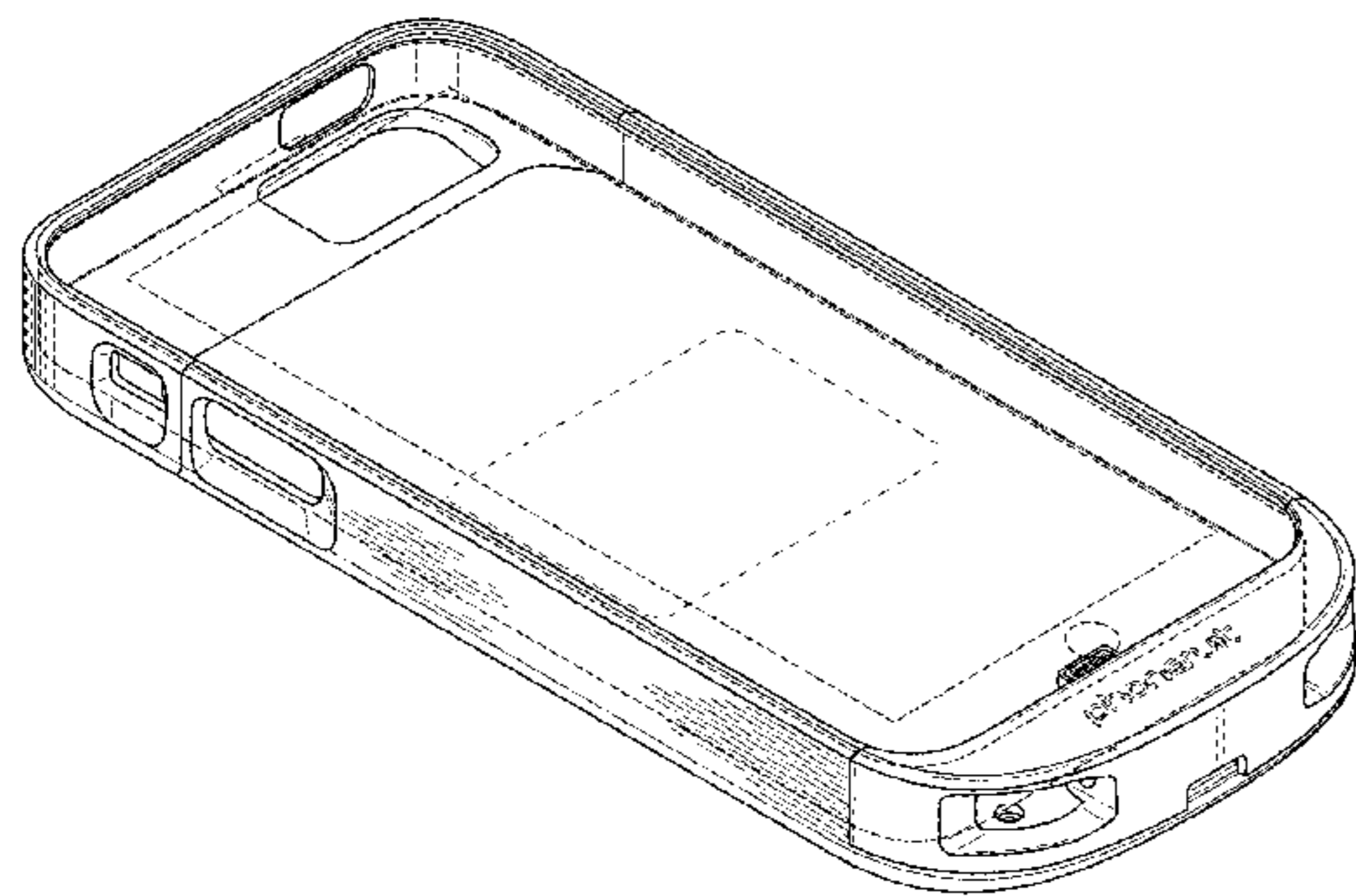
(57) **CLAIM**

We claim the ornamental design for a combination battery and case for electronic equipment, as shown and described.

DESCRIPTION

FIG. 1 is a front perspective view of a combination battery and case for electronic equipment, showing our new design; FIG. 2 is a rear perspective view thereof; FIG. 3 is a top plan view thereof; FIG. 4 is a bottom plan view thereof; FIG. 5 is a right-side elevational view thereof; FIG. 6 is a left-side elevational view thereof; FIG. 7 is a front elevational view thereof; FIG. 8 is a rear elevational view thereof; FIG. 9 is an exploded front perspective view thereof; FIG. 10 is an exploded right-side elevational view thereof; FIG. 11 is an exploded left-side elevational view thereof; FIG. 12 is an exploded front elevational view thereof; and, FIG. 13 is an exploded rear elevational view thereof. The broken lines in the drawings depict environmental matter and form no part of the claimed design.

1 Claim, 6 Drawing Sheets



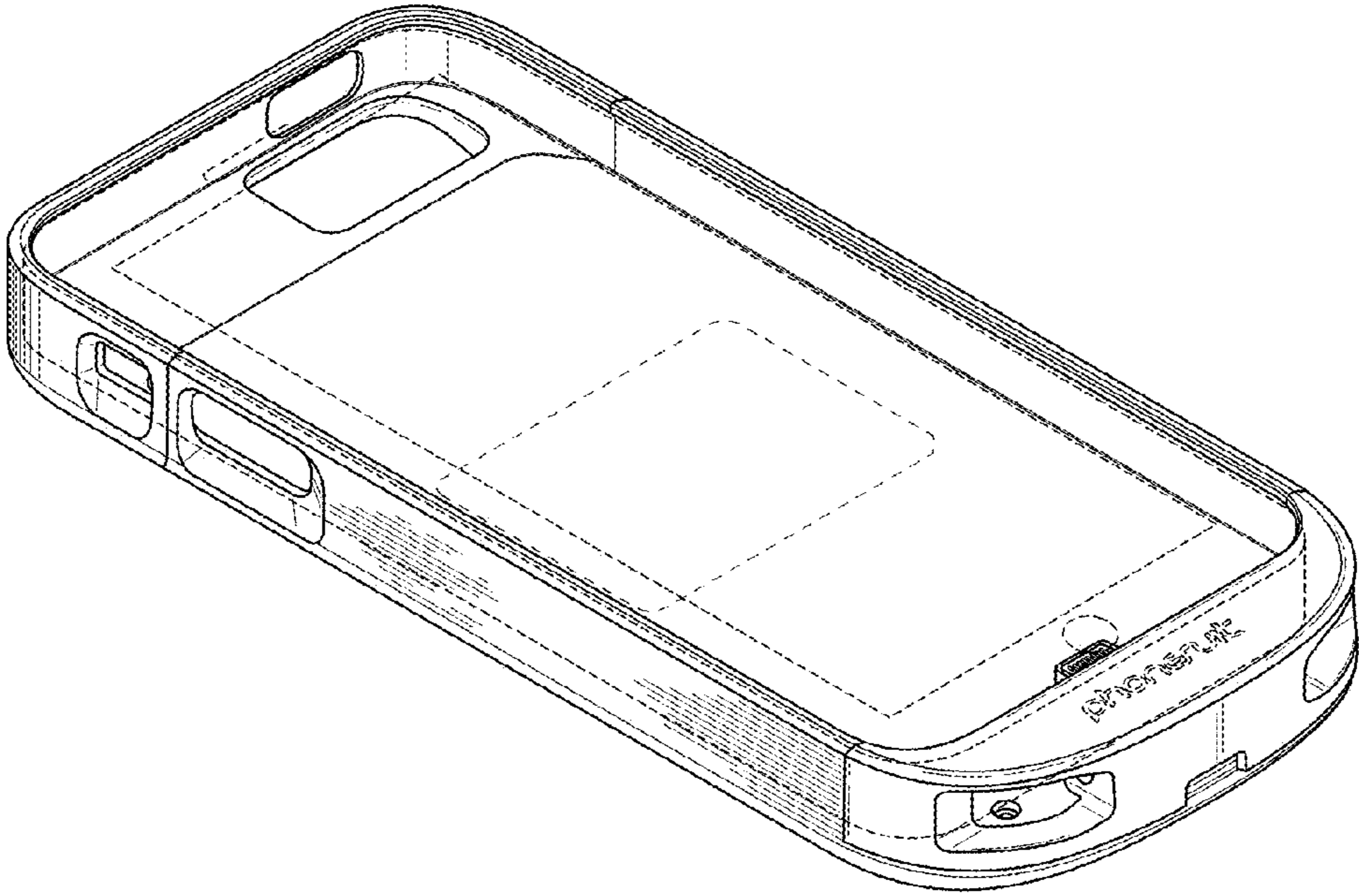


FIG. 1

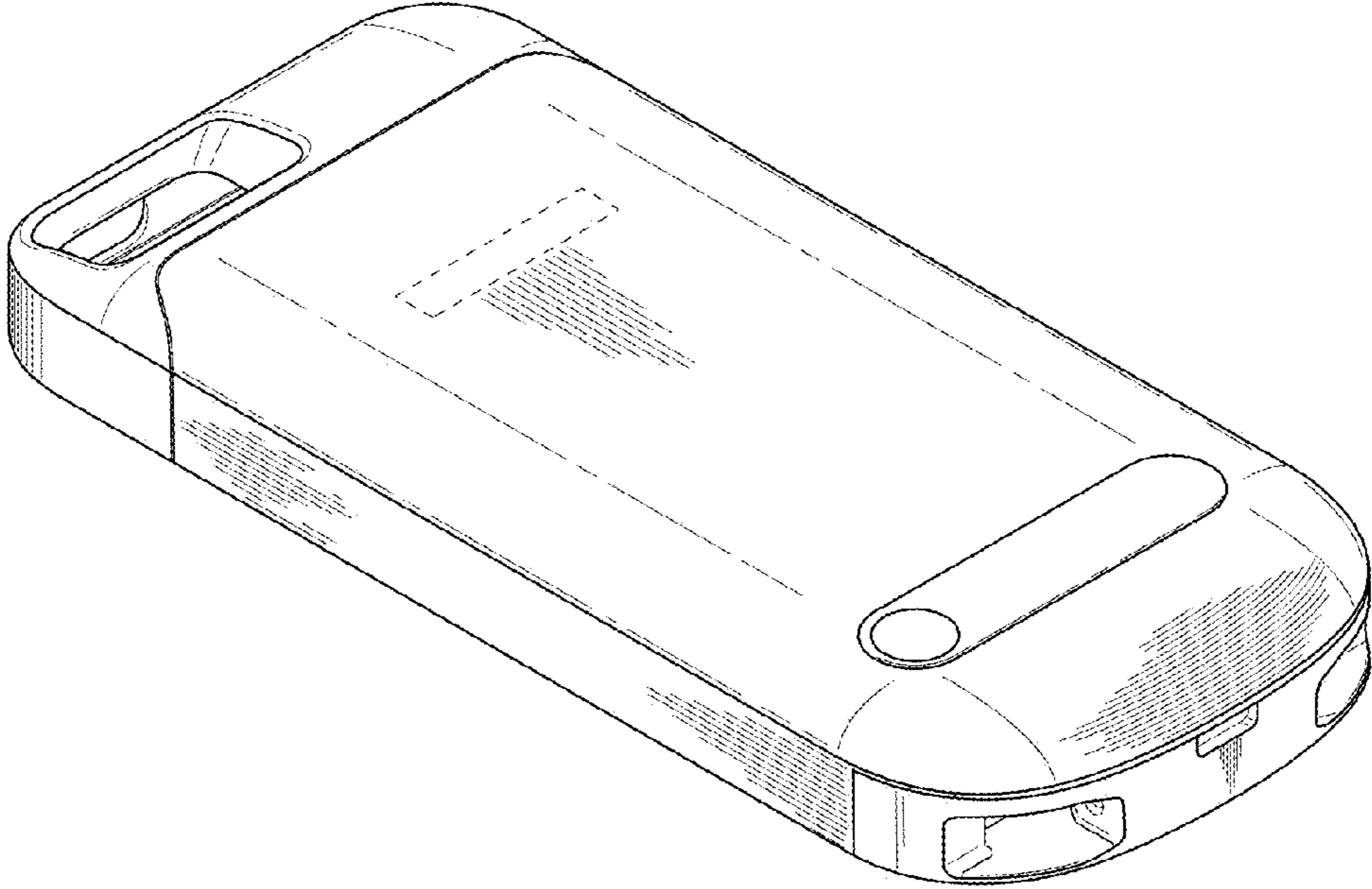


FIG. 2

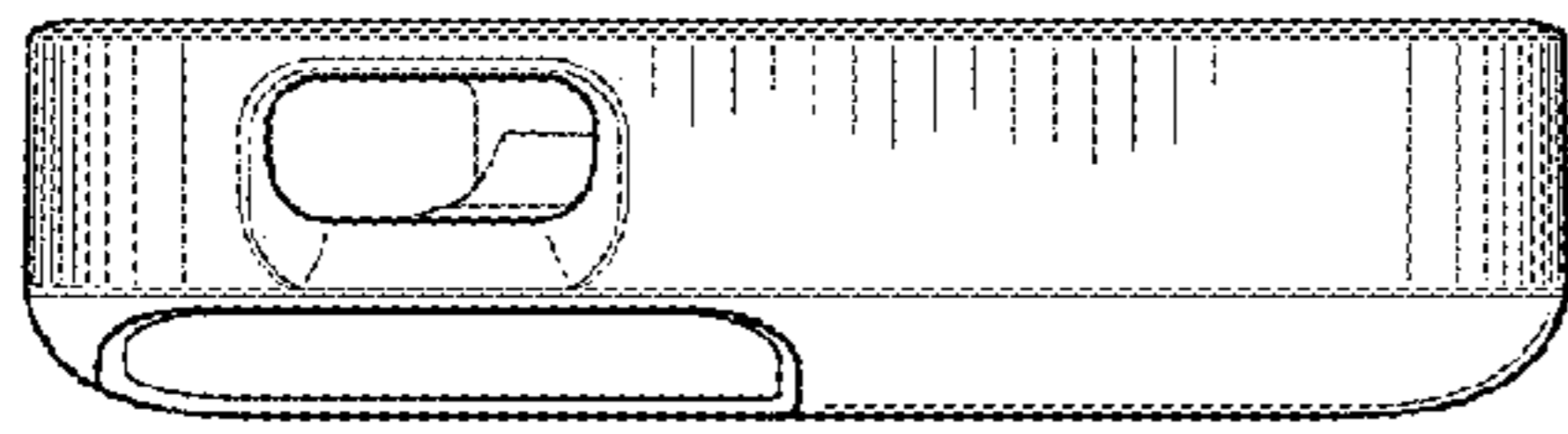


FIG. 3

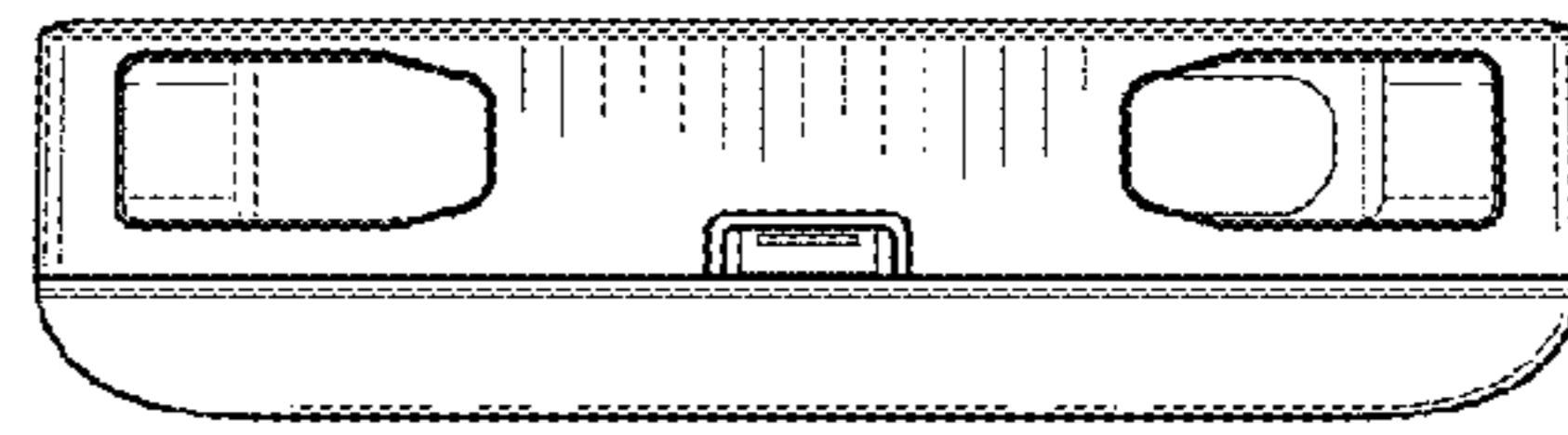


FIG. 4

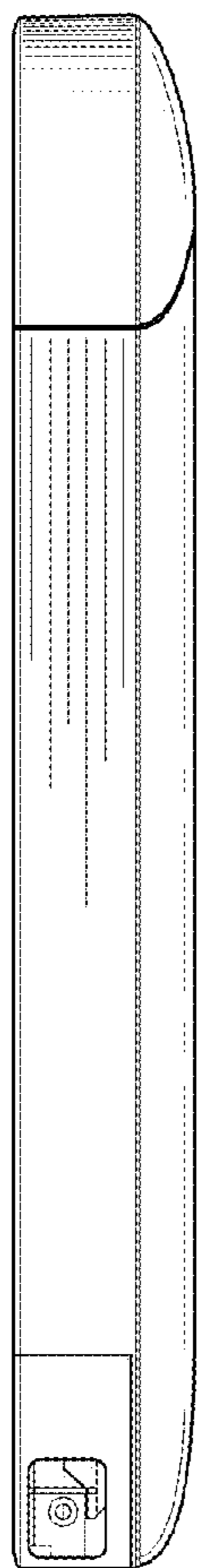


FIG. 5

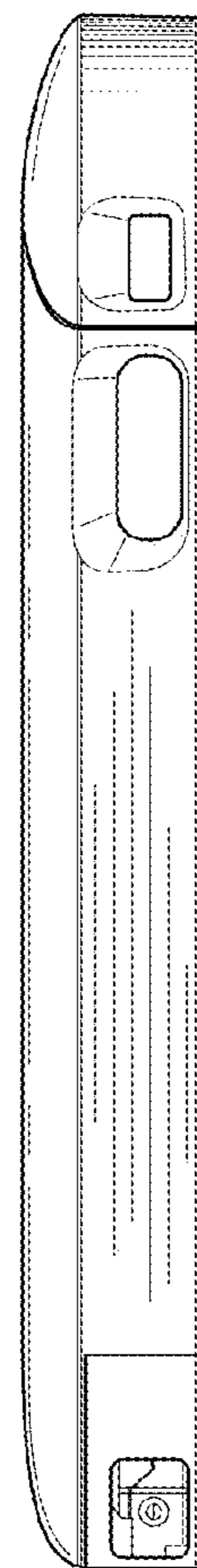


FIG. 6

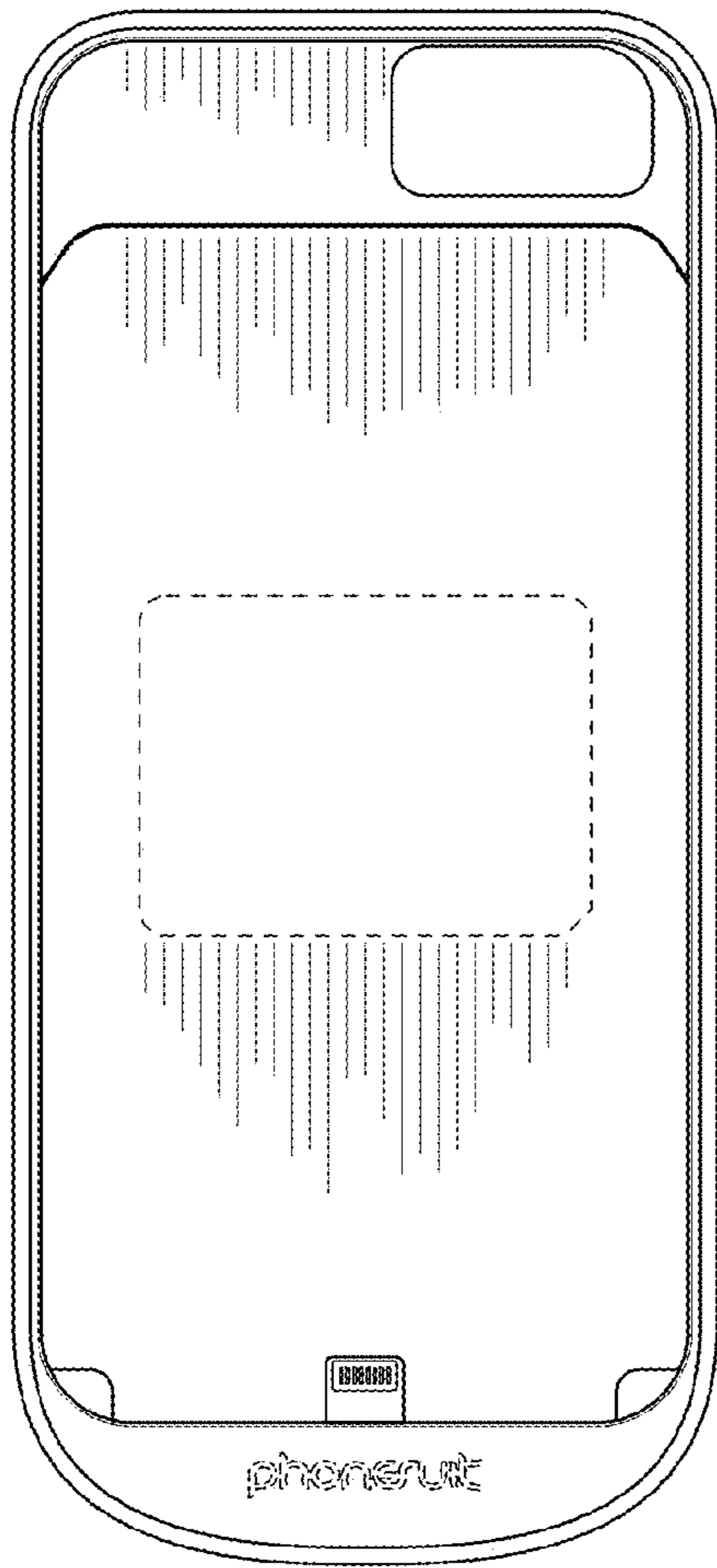


FIG. 7

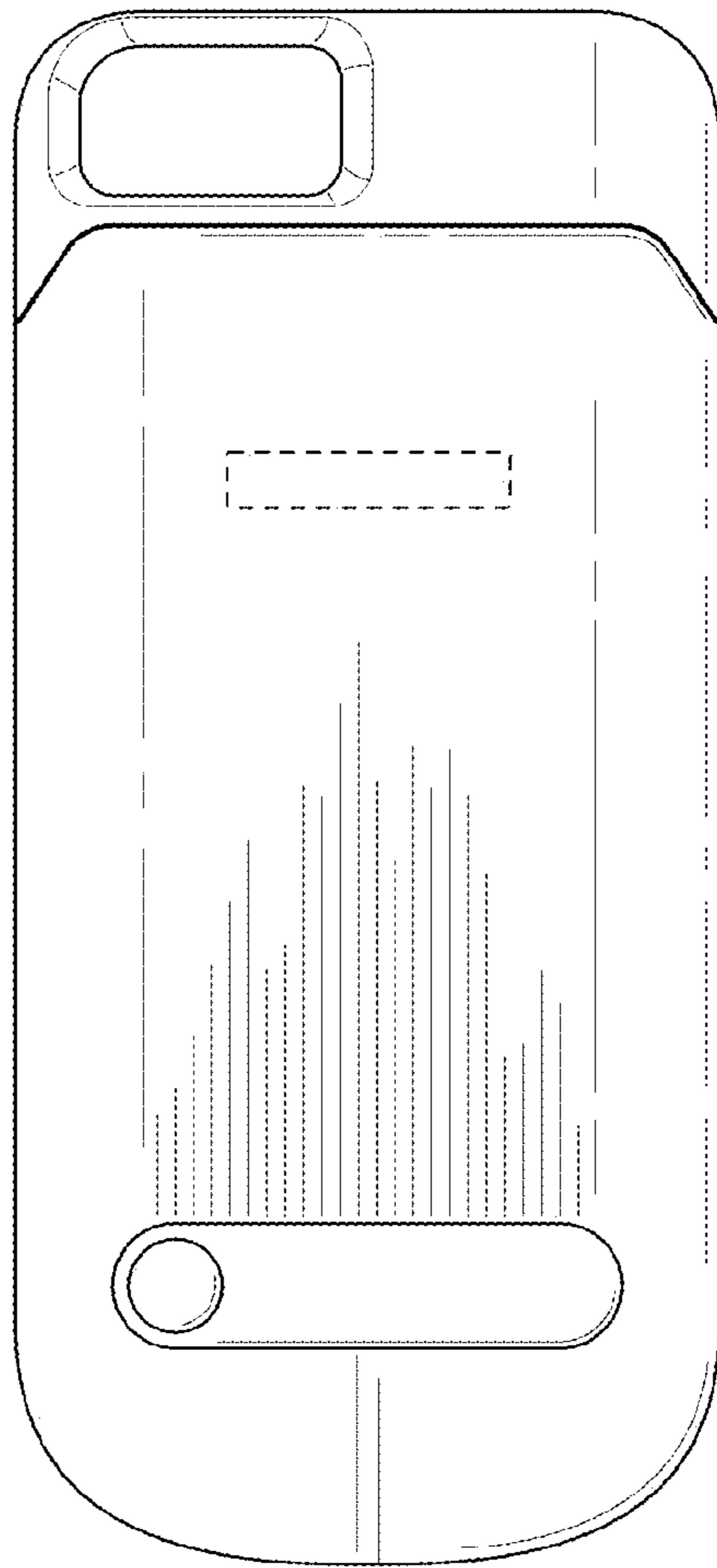


FIG. 8

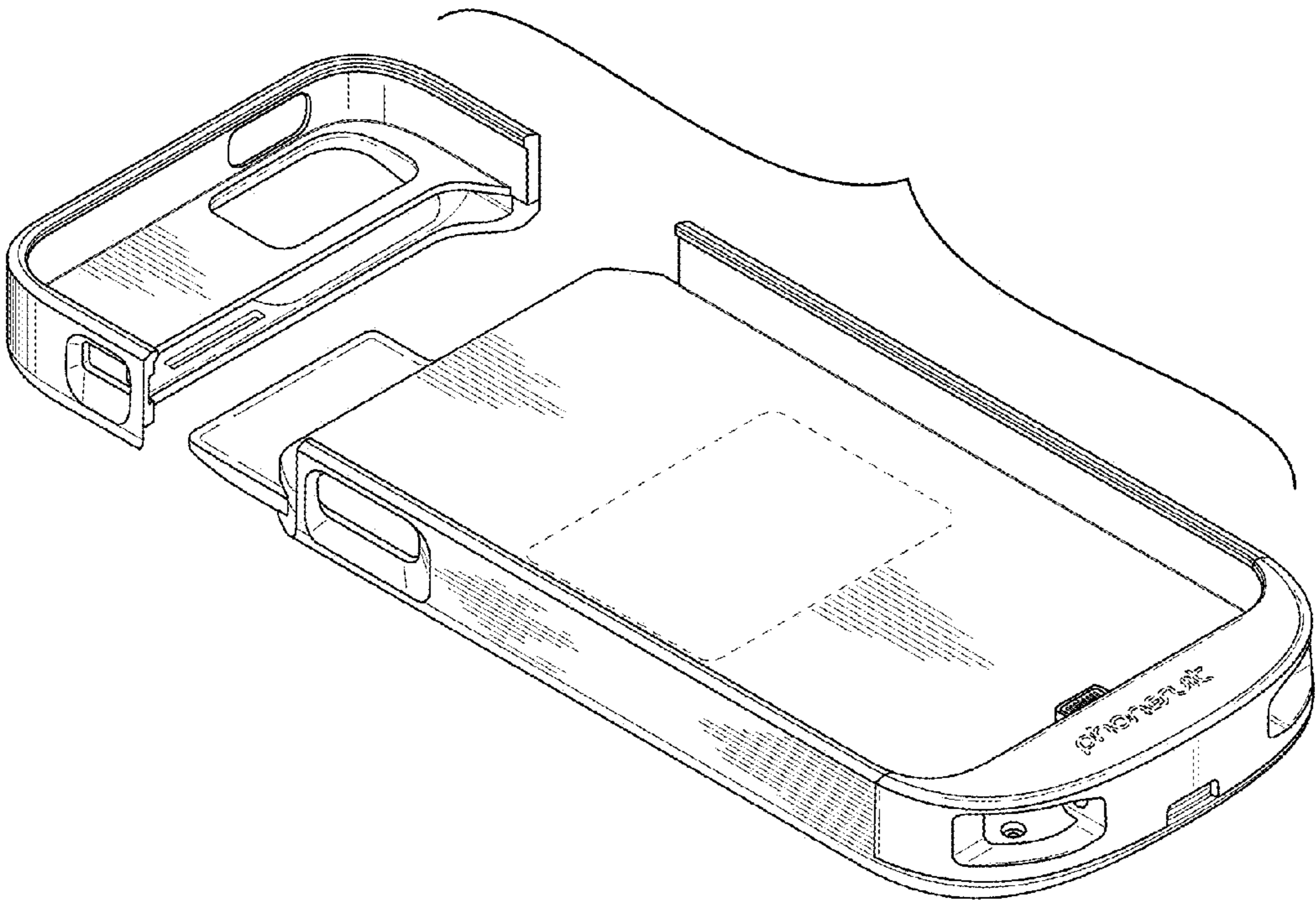


FIG. 9

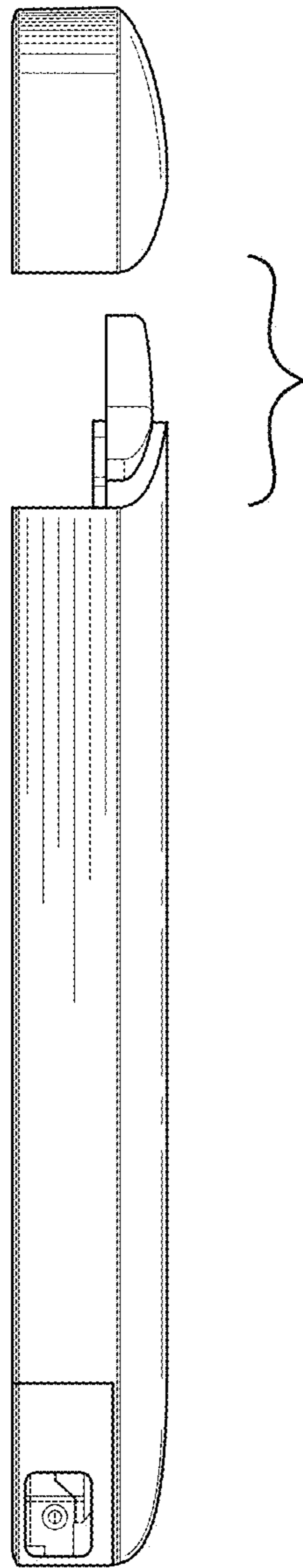


FIG. 10

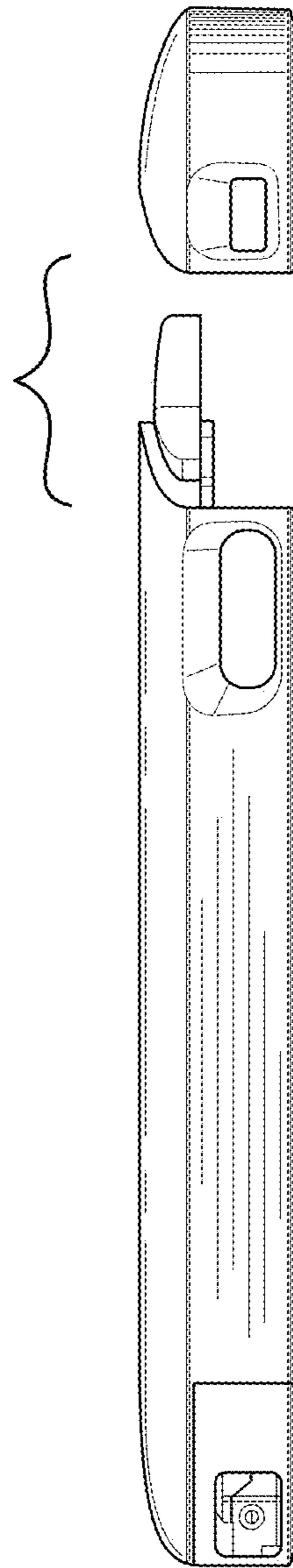


FIG. 11

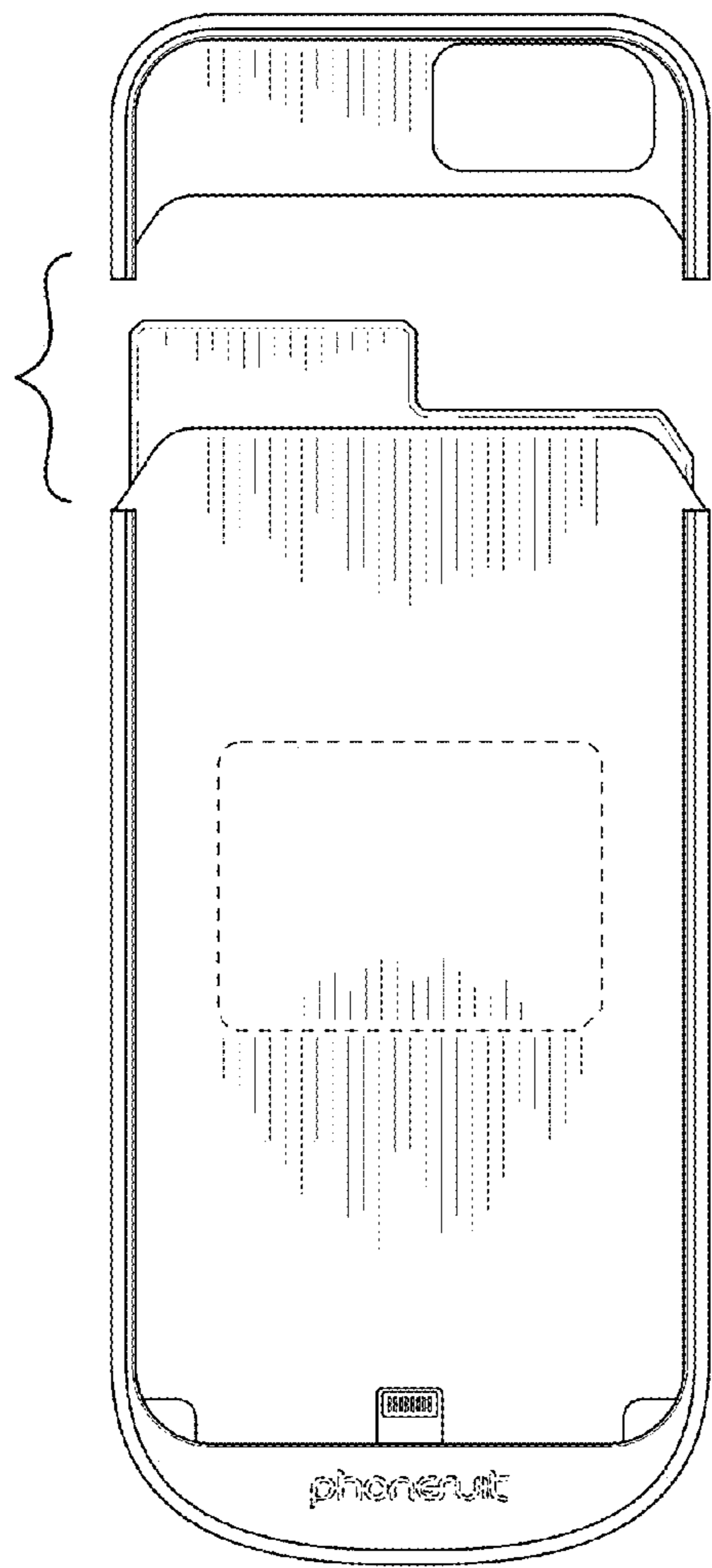


FIG. 12

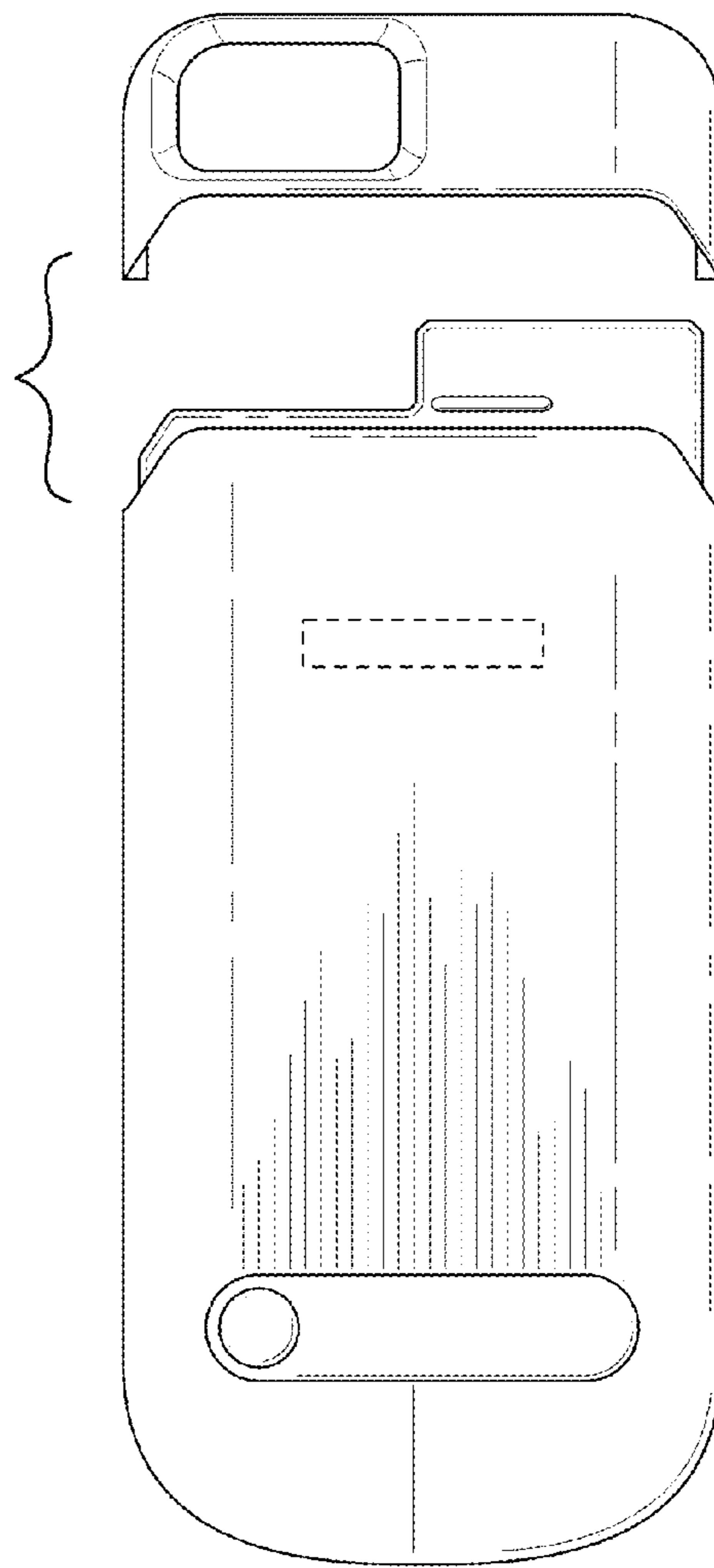


FIG. 13