



US00D710793S

(12) **United States Design Patent**  
**Cai et al.**

(10) **Patent No.:** **US D710,793 S**

(45) **Date of Patent:** **\*\* Aug. 12, 2014**

(54) **ANCHOR BLOCK FOR PHOTOVOLTAIC MODULE**

(71) Applicant: **Dow Global Technologies LLC**,  
Midland, MI (US)

(72) Inventors: **Jie Cai**, Shanghai (CN); **Yongjin Guo**,  
Shanghai (CN); **Yanli Huo**, Shanghai  
(CN); **Shaofu Wu**, Sugar Land, TX  
(US); **Wenbin Yao**, Shanghai (CN)

(73) Assignee: **Dow Global Technologies LLC**,  
Midland, MI (US)

(\*\*) Term: **14 Years**

(21) Appl. No.: **29/476,889**

(22) Filed: **Dec. 18, 2013**

(30) **Foreign Application Priority Data**

Jun. 28, 2013 (CN) ..... 2013 3 0291898

(51) **LOC (10) Cl.** ..... **13-02**

(52) **U.S. Cl.**  
USPC ..... **D13/102**

(58) **Field of Classification Search**  
USPC ..... D13/102, 118, 184, 199; D8/349, 354,  
D8/355, 356; D25/119, 123, 124, 125;  
52/173.3, 460; 126/573, 580; 136/206,  
136/244-251, 256, 291, 292; 248/205.1;  
439/567; D21/484, 493, 499

See application file for complete search history.

(56) **References Cited**

U.S. PATENT DOCUMENTS

4,204,523 A \* 5/1980 Rothe ..... 126/623  
5,071,491 A 12/1991 Stein et al.  
5,272,236 A 12/1993 Lai et al.  
5,278,272 A 1/1994 Lai et al.  
5,344,496 A 9/1994 Stern et al.

5,571,338 A \* 11/1996 Kadonome et al. .... 136/251  
5,685,151 A 11/1997 Ross  
D391,921 S 3/1998 Zimmer et al.  
5,986,028 A 11/1999 Lai et al.  
6,034,320 A 3/2000 Malcherzyk et al.  
6,105,316 A 8/2000 Bottger et al.  
6,172,295 B1 1/2001 Hattori et al.  
6,283,542 B1 9/2001 Pätz  
6,653,553 B2 11/2003 Reimer  
6,672,018 B2 1/2004 Shingleton  
D547,262 S 7/2007 Ullman  
D562,225 S 2/2008 Almy et al.  
D565,505 S 4/2008 Shugar et al.  
7,435,134 B2 10/2008 Lenox  
7,487,771 B1 2/2009 Eiffert et al.  
7,506,477 B2 3/2009 Flaherty et al.  
7,642,449 B2 1/2010 Korman et al.

(Continued)

FOREIGN PATENT DOCUMENTS

CA 2738960 A1 12/2011  
CN 201252106 Y 6/2009

(Continued)

*Primary Examiner* — Derrick Holland

(74) *Attorney, Agent, or Firm* — Whye Hirschboeck Dudek  
S.C.

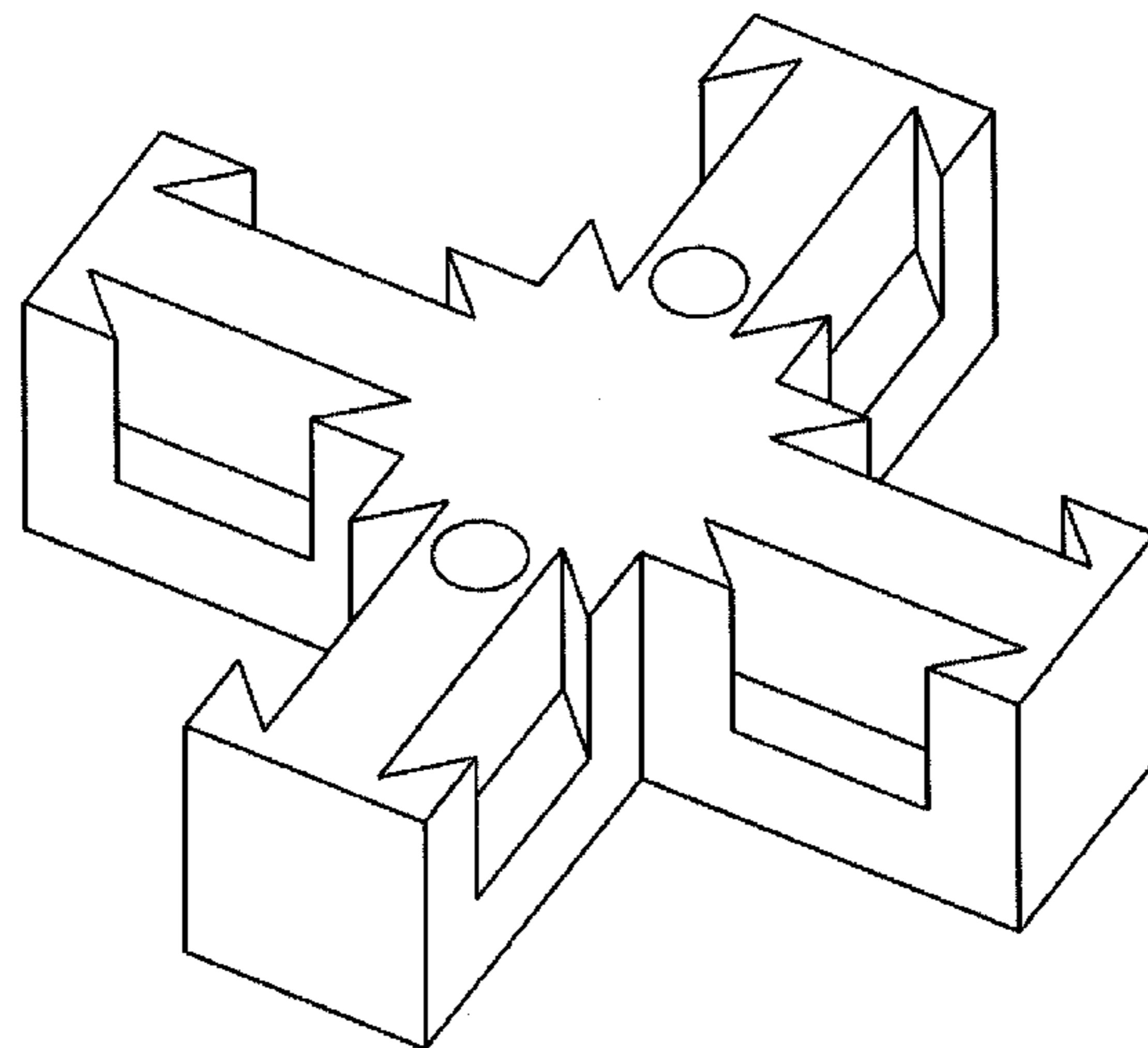
(57) **CLAIM**

The ornamental design for anchor block for photovoltaic  
module, as shown and described.

**DESCRIPTION**

FIG. 1 is a perspective view of an anchor block for photovol-  
taic module showing our new design;  
FIG. 2 is a top plan view thereof;  
FIG. 3 is a front elevation view thereof;  
FIG. 4 is a rear elevation view thereof;  
FIG. 5 is a left elevation view thereof;  
FIG. 6 is a right elevation view thereof; and,  
FIG. 7 is a bottom plan view thereof.

**1 Claim, 3 Drawing Sheets**



(56)

**References Cited**

U.S. PATENT DOCUMENTS

D652,789	S	1/2012	Kawai et al.	
D658,120	S *	4/2012	Kawai et al. ....	D13/102
D686,978	S *	7/2013	Nicholson et al. ....	D13/102
2005/0284467	A1 *	12/2005	Patterson .....	126/580
2006/0042680	A1	3/2006	Korman et al.	
2008/0041442	A1	2/2008	Hanoku	
2008/0149168	A1	6/2008	Flaherty et al.	
2008/0302928	A1	12/2008	Haddock	
2009/0205704	A1	8/2009	Flaherty et al.	
2009/0281215	A1	11/2009	Kaul	
2009/0283136	A1	11/2009	Munch et al.	
2009/0320907	A1	12/2009	Botkin	
2010/0127142	A1	5/2010	Genschorek	
2010/0193029	A1	8/2010	Murphy et al.	
2010/0269891	A1	10/2010	Kinard et al.	
2011/0000524	A1	1/2011	Busch et al.	
2011/0048584	A1	3/2011	Katsura et al.	
2011/0067754	A1	3/2011	Luch	
2011/0070768	A1	3/2011	Zantout	
2011/0091707	A1	4/2011	Jousset et al.	

2011/0100436	A1	5/2011	Cleereman et al.
2011/0100438	A1	5/2011	Gaston et al.
2011/0108083	A1	5/2011	Ravestein et al.
2012/0187058	A1	7/2012	Almy
2012/0298817	A1	11/2012	West et al.

FOREIGN PATENT DOCUMENTS

CN	101826577	A	9/2010
CN	201689892	U	12/2010
CN	102496640	A	6/2012
DE	202004019681	U1	3/2005
EP	2040014	A3	3/2009
EP	1742274	B1	9/2010
EP	2360741	A2	8/2011
JP	2007224538	A	9/2007
WO	2006121559	A2	11/2006
WO	2009/016129	A1	2/2009
WO	2010/019742	A2	2/2010
WO	2010/019754	A2	2/2010
WO	2011/096810	A1	8/2011

\* cited by examiner

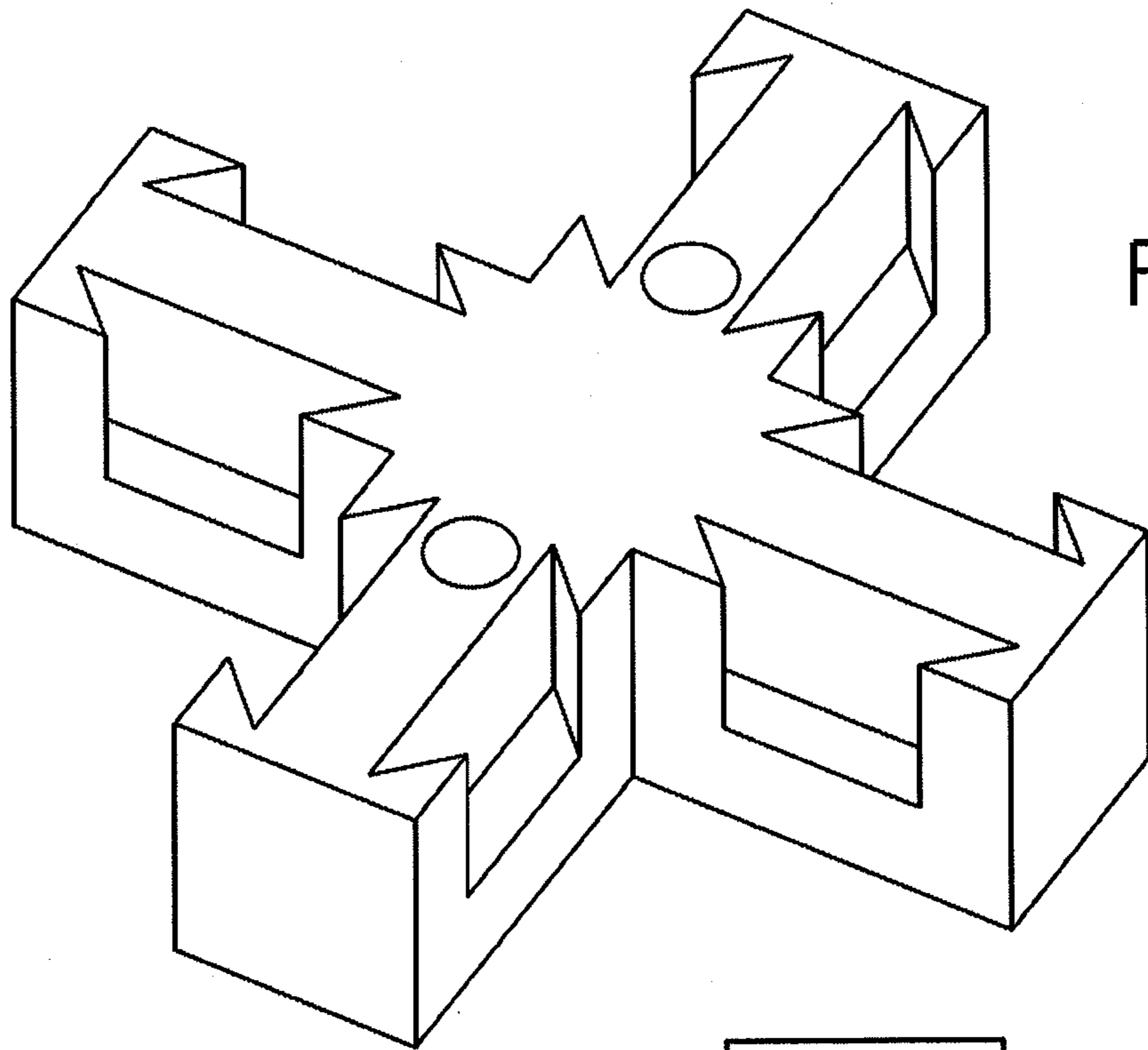


FIG. 1

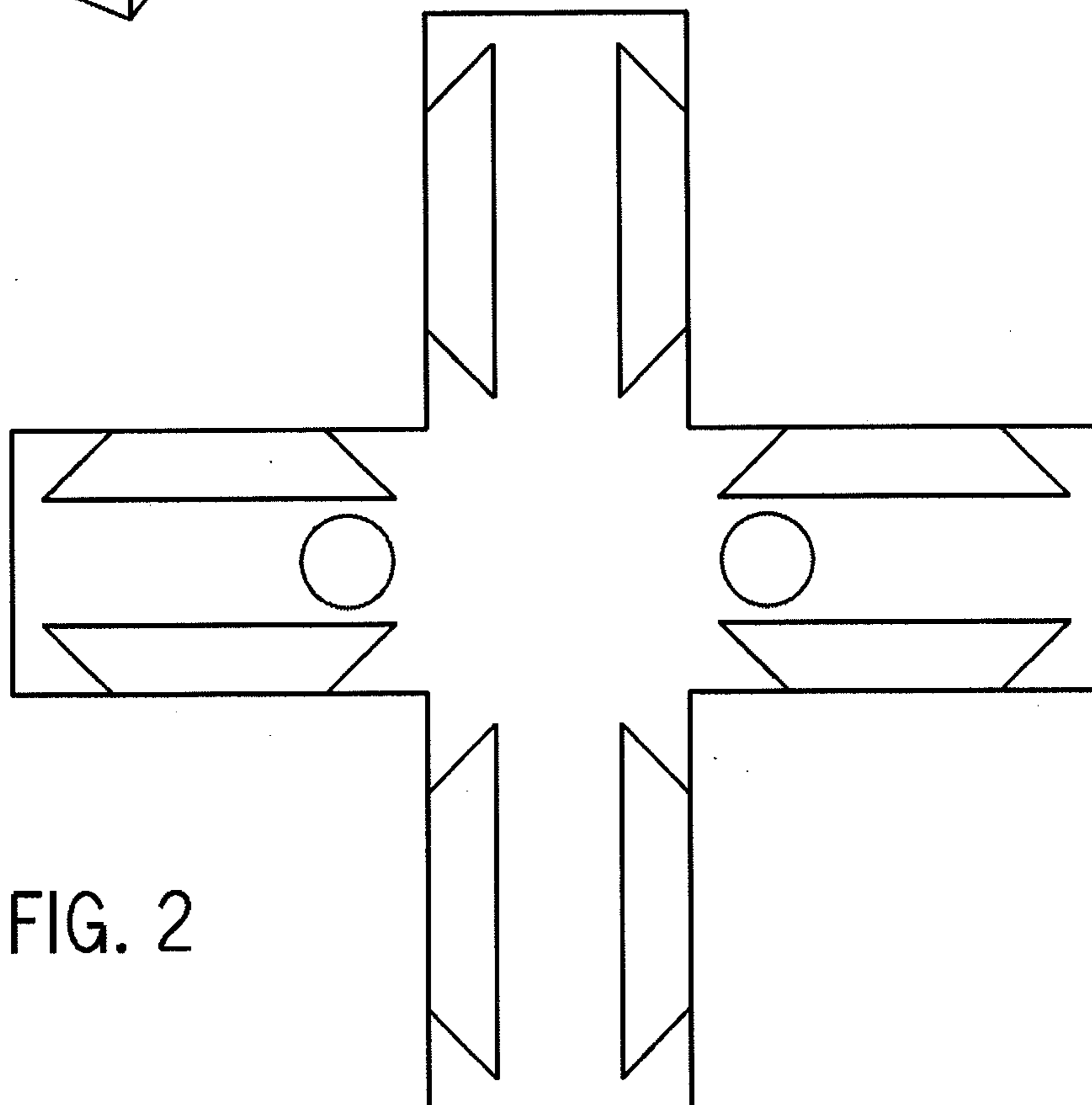


FIG. 2

FIG. 3

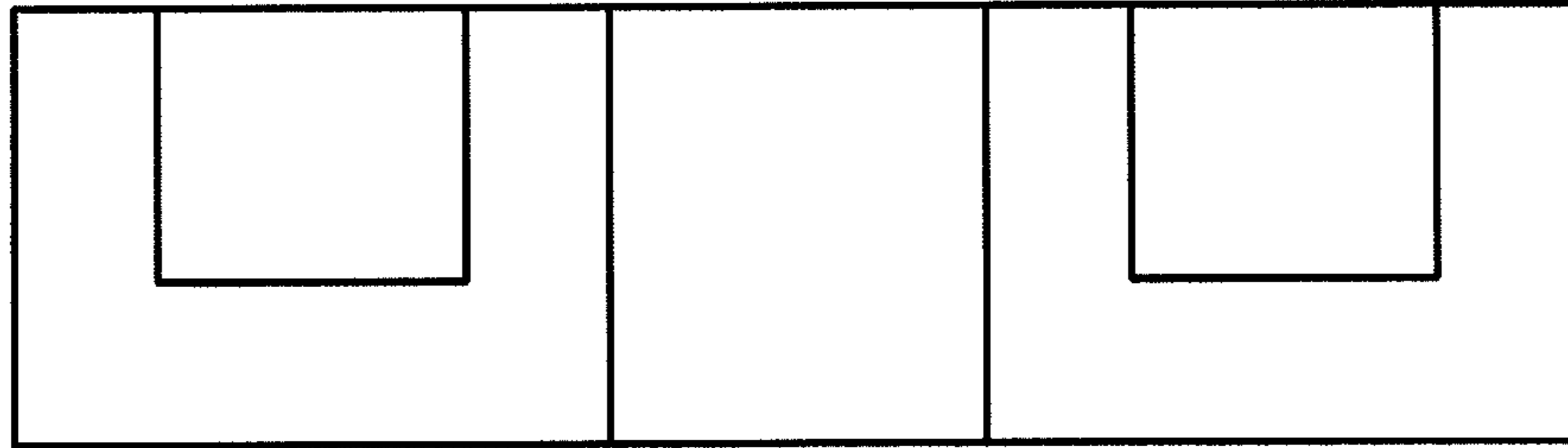


FIG. 4

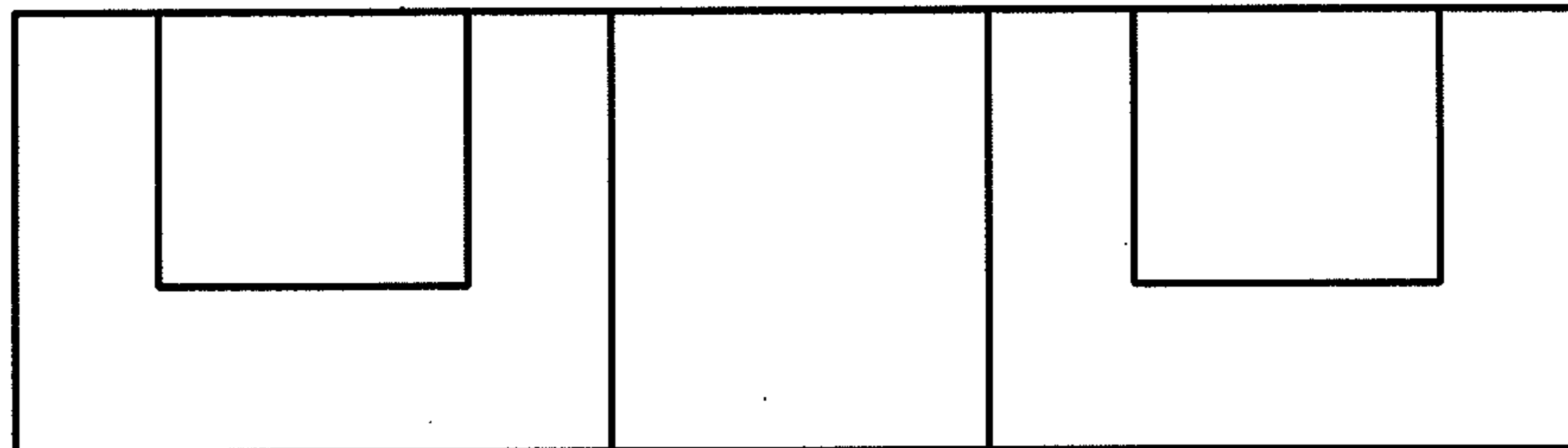


FIG. 5

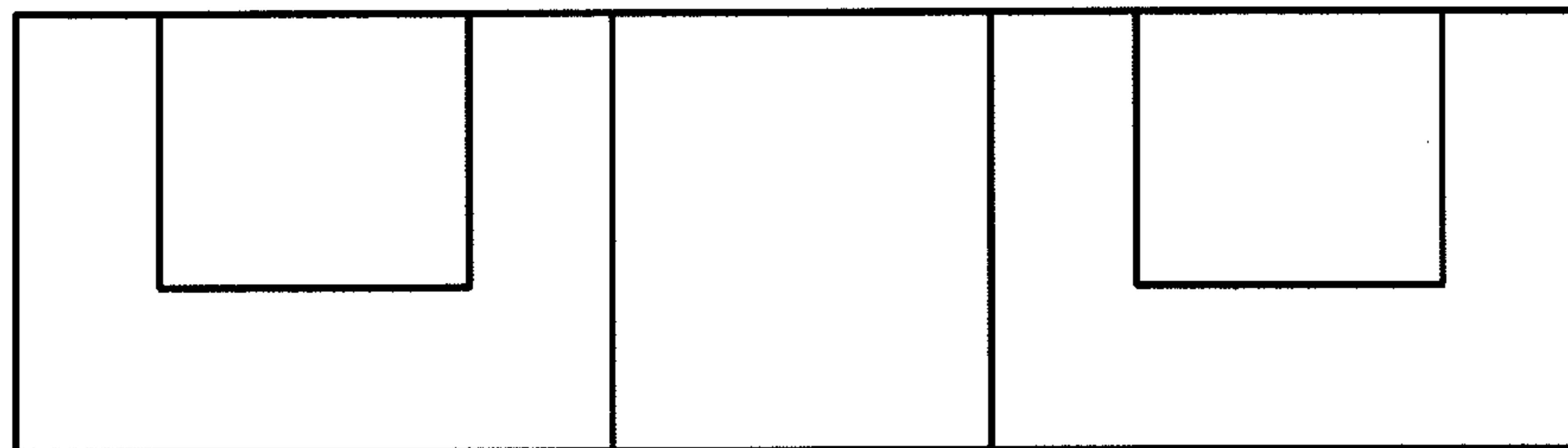
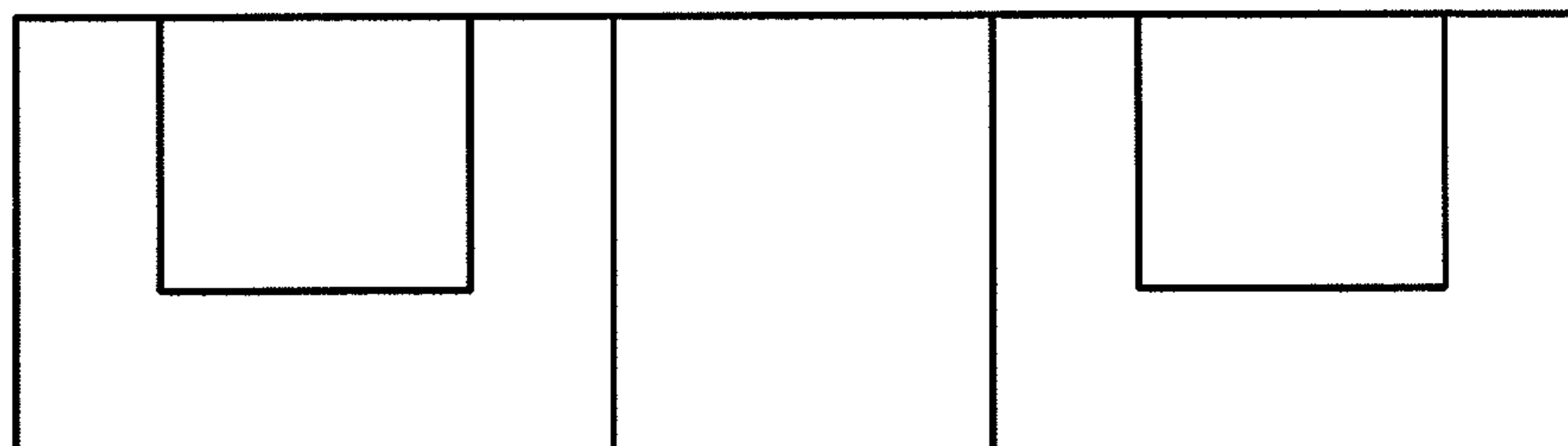


FIG. 6



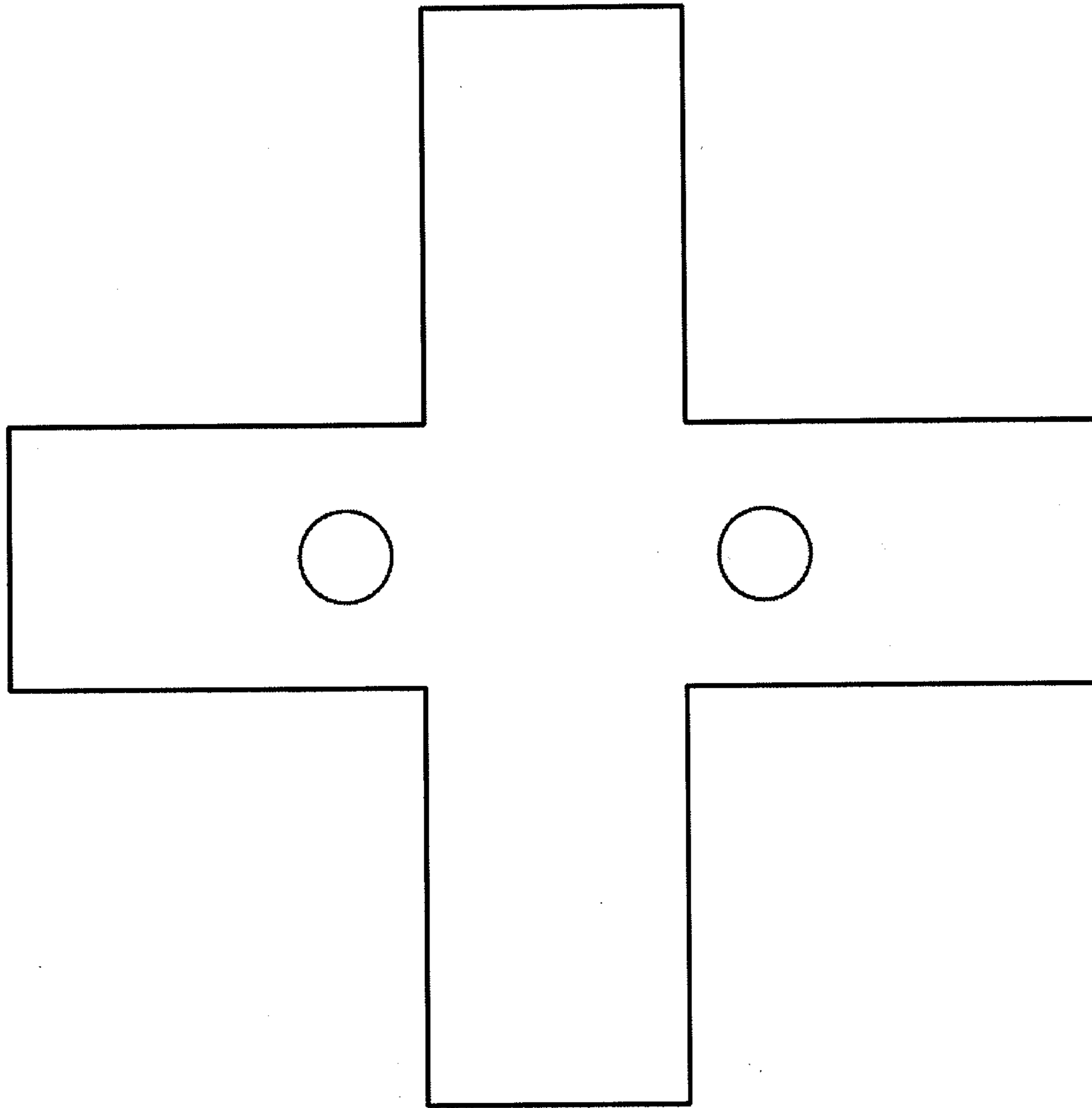


FIG. 7