



US00D710792S

(12) **United States Design Patent**
Cai et al.

(10) **Patent No.:** **US D710,792 S**
(45) **Date of Patent:** **** Aug. 12, 2014**

(54) **ANGLE CORNER CONNECTOR FOR PHOTOVOLTAIC MODULE FRAME**

(71) Applicant: **Dow Global Technologies LLC**,
Midland, MI (US)

(72) Inventors: **Jie Cai**, Shanghai (CN); **YongJin Guo**,
Shanghai (CN); **YanLi Huo**, Shanghai
(CN); **Shaofu Wu**, Sugar Land, TX
(US); **Wenbin Yao**, Shanghai (CN)

(73) Assignee: **Dow Global Technologies LLC**,
Midland, MI (US)

(**) Term: **14 Years**

(21) Appl. No.: **29/476,867**

(22) Filed: **Dec. 18, 2013**

(30) **Foreign Application Priority Data**

Jun. 28, 2013 (CN) 2013 3 0292414

(51) **LOC (10) Cl.** **13-02**

(52) **U.S. Cl.**
USPC **D13/102**

(58) **Field of Classification Search**

USPC D13/102, 118, 184, 199; D8/349, 354,
D8/355, 356; D25/119, 123, 124, 125;
52/173.3, 460; 126/573, 580; 136/206,
136/244–251, 256, 291, 292; 248/205.1;
439/567; D21/484, 493, 499, 505

See application file for complete search history.

(56) **References Cited**

U.S. PATENT DOCUMENTS

3,049,260 A * 8/1962 Stone 217/53
4,204,523 A * 5/1980 Rothe 126/623
D270,660 S * 9/1983 Ort D13/102
5,071,491 A 12/1991 Stein et al.
5,272,236 A 12/1993 Lai et al.

5,278,272 A 1/1994 Lai et al.
5,344,496 A 9/1994 Stern et al.
5,571,338 A * 11/1996 Kadonome et al. 136/251
5,685,151 A 11/1997 Ross
D391,921 S 3/1998 Zimmer et al.
5,986,028 A 11/1999 Lai et al.
6,034,320 A 3/2000 Malcherczyk et al.
6,105,316 A 8/2000 Bottger et al.
6,172,295 B1 1/2001 Hattori et al.
6,283,542 B1 9/2001 Pätz
6,653,553 B2 11/2003 Reimer
6,672,018 B2 1/2004 Shingleton
D547,262 S 7/2007 Ullman
D562,225 S 2/2008 Almy et al.
D565,505 S 4/2008 Shugar et al.

(Continued)

FOREIGN PATENT DOCUMENTS

CA 2738960 A1 12/2011
CN 201252106 Y 6/2009

(Continued)

Primary Examiner — Derrick Holland

(74) *Attorney, Agent, or Firm* — Whyte Hirschboeck Dudek
S.C.

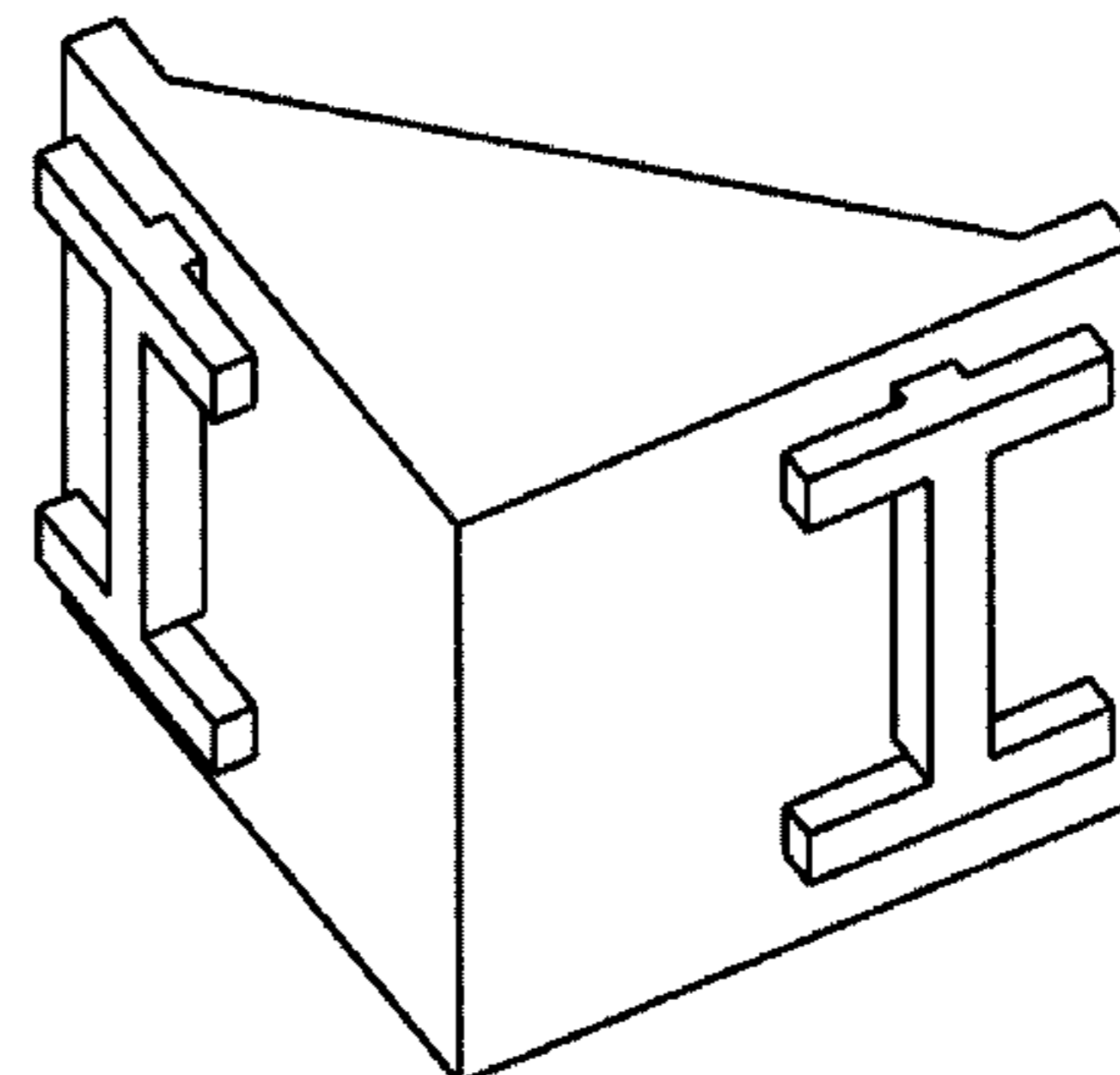
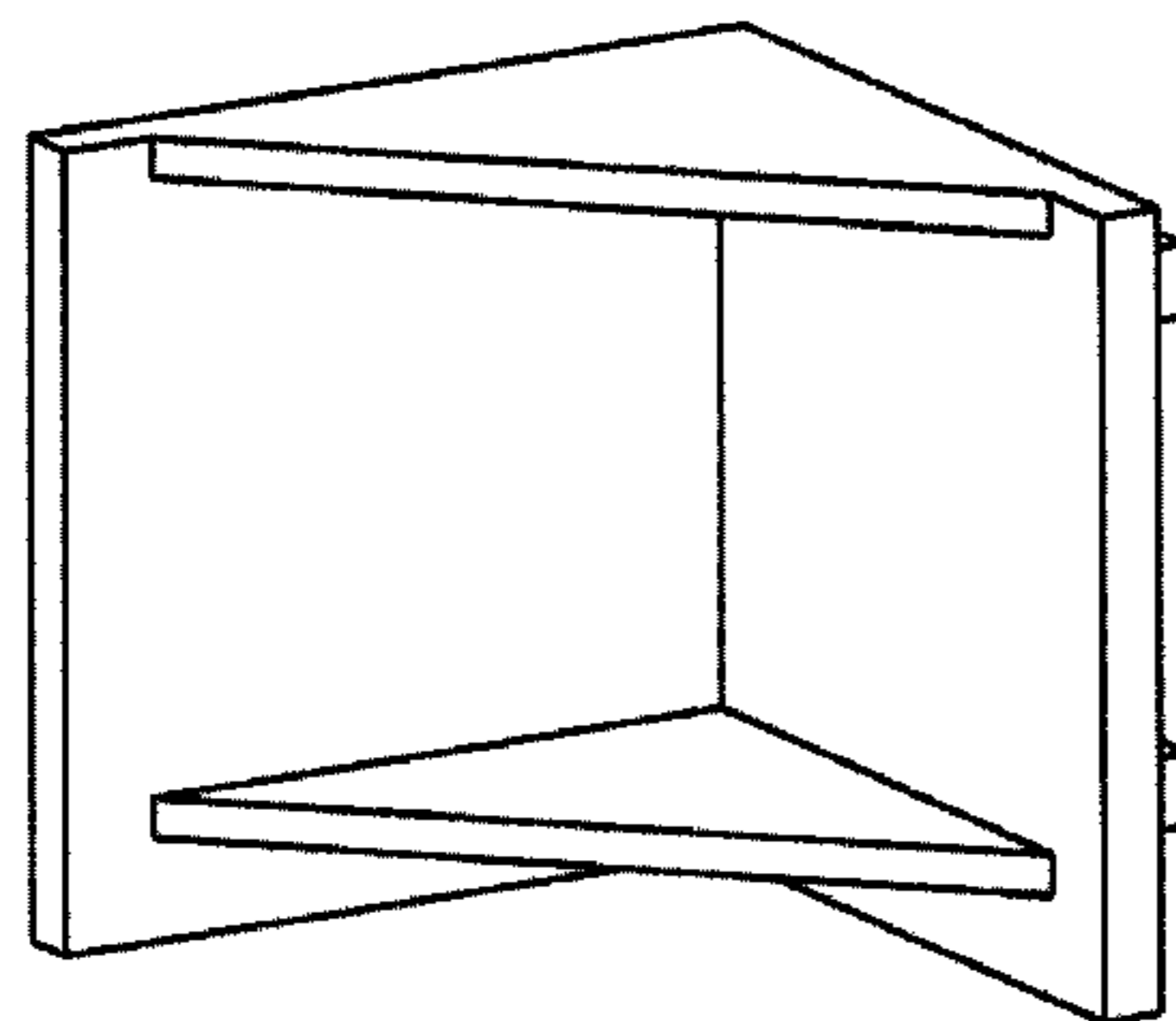
(57) **CLAIM**

The ornamental design for angle corner connector for photo-
voltaic module frame, as shown and described.

DESCRIPTION

FIG. 1 is a perspective view of an angle corner connector for
photovoltaic module frame showing our new design;
FIG. 2 is a rear perspective view from the left thereof;
FIG. 3 is a top plan view thereof;
FIG. 4 is a front plan view thereof;
FIG. 5 is a rear plan view thereof;
FIG. 6 is a right plan view thereof;
FIG. 7 is a left plan view thereof; and,
FIG. 8 is a bottom plan view thereof.

1 Claim, 3 Drawing Sheets



(56)

References Cited

U.S. PATENT DOCUMENTS

| | | | | |
|--------------|------|---------|------------------|---------|
| 7,435,134 | B2 | 10/2008 | Lenox | |
| 7,487,771 | B1 | 2/2009 | Eiffert et al. | |
| 7,506,477 | B2 | 3/2009 | Flaherty et al. | |
| 7,642,449 | B2 | 1/2010 | Korman et al. | |
| D652,789 | S | 1/2012 | Kawai et al. | |
| D658,120 | S * | 4/2012 | Kawai et al. | D13/102 |
| D673,903 | S * | 1/2013 | Kobayashi | D13/102 |
| D686,978 | S * | 7/2013 | Nicholson et al. | D13/102 |
| 2005/0284467 | A1 * | 12/2005 | Patterson | 126/580 |
| 2006/0042680 | A1 | 3/2006 | Korman et al. | |
| 2008/0041442 | A1 | 2/2008 | Hanoka | |
| 2008/0149168 | A1 | 6/2008 | Flaherty et al. | |
| 2008/0302928 | A1 | 12/2008 | Haddock | |
| 2009/0205704 | A1 | 8/2009 | Flaherty et al. | |
| 2009/0281215 | A1 | 11/2009 | Kaul | |
| 2009/0283136 | A1 | 11/2009 | Munch et al. | |
| 2009/0320907 | A1 | 12/2009 | Botkin | |
| 2010/0127142 | A1 | 5/2010 | Genschorek | |
| 2010/0193029 | A1 | 8/2010 | Murphy et al. | |
| 2010/0269891 | A1 | 10/2010 | Kinard et al. | |
| 2011/0000524 | A1 | 1/2011 | Busch et al. | |
| 2011/0048584 | A1 | 3/2011 | Katsura et al. | |

| | | | |
|--------------|----|---------|------------------|
| 2011/0067754 | A1 | 3/2011 | Luch |
| 2011/0070768 | A1 | 3/2011 | Zantout |
| 2011/0091707 | A1 | 4/2011 | Jouset et al. |
| 2011/0100436 | A1 | 5/2011 | Cleereman et al. |
| 2011/0100438 | A1 | 5/2011 | Gaston et al. |
| 2011/0108083 | A1 | 5/2011 | Ravestain et al. |
| 2012/0187058 | A1 | 7/2012 | Almy |
| 2012/0298817 | A1 | 11/2012 | West et al. |

FOREIGN PATENT DOCUMENTS

| | | | |
|----|--------------|----|---------|
| CN | 101826577 | A | 9/2010 |
| CN | 201689892 | U | 12/2010 |
| CN | 102496640 | A | 6/2012 |
| DE | 202004019681 | U1 | 3/2005 |
| EP | 2040014 | A3 | 3/2009 |
| EP | 1742274 | B1 | 9/2010 |
| EP | 2360741 | A2 | 8/2011 |
| JP | 2007224538 | A | 9/2007 |
| WO | 2006121559 | A2 | 11/2006 |
| WO | 2009/016129 | A1 | 2/2009 |
| WO | 2010/019742 | A2 | 2/2010 |
| WO | 2010/019754 | A2 | 2/2010 |
| WO | 2011/096810 | A1 | 8/2011 |

* cited by examiner

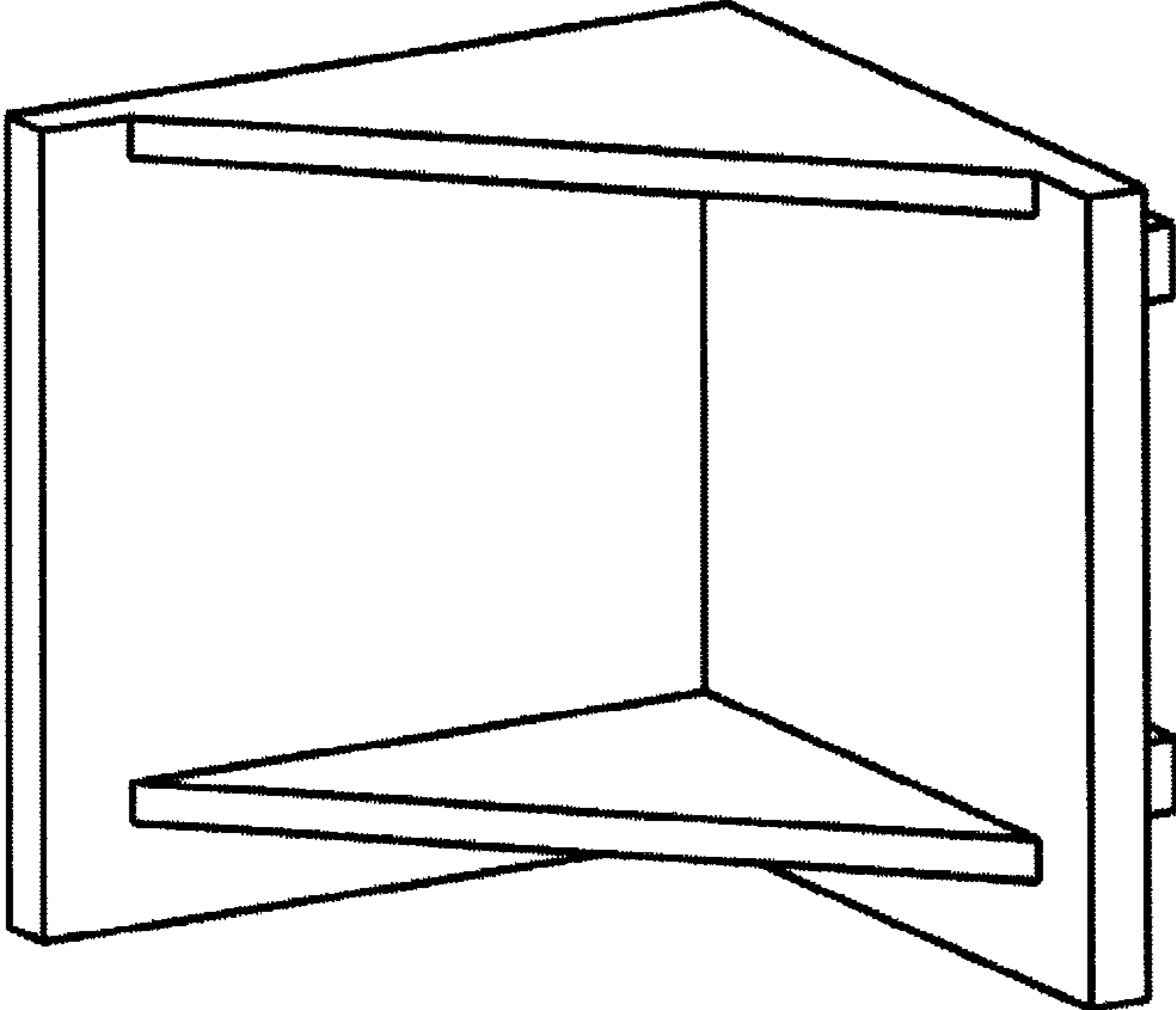


FIG. 1

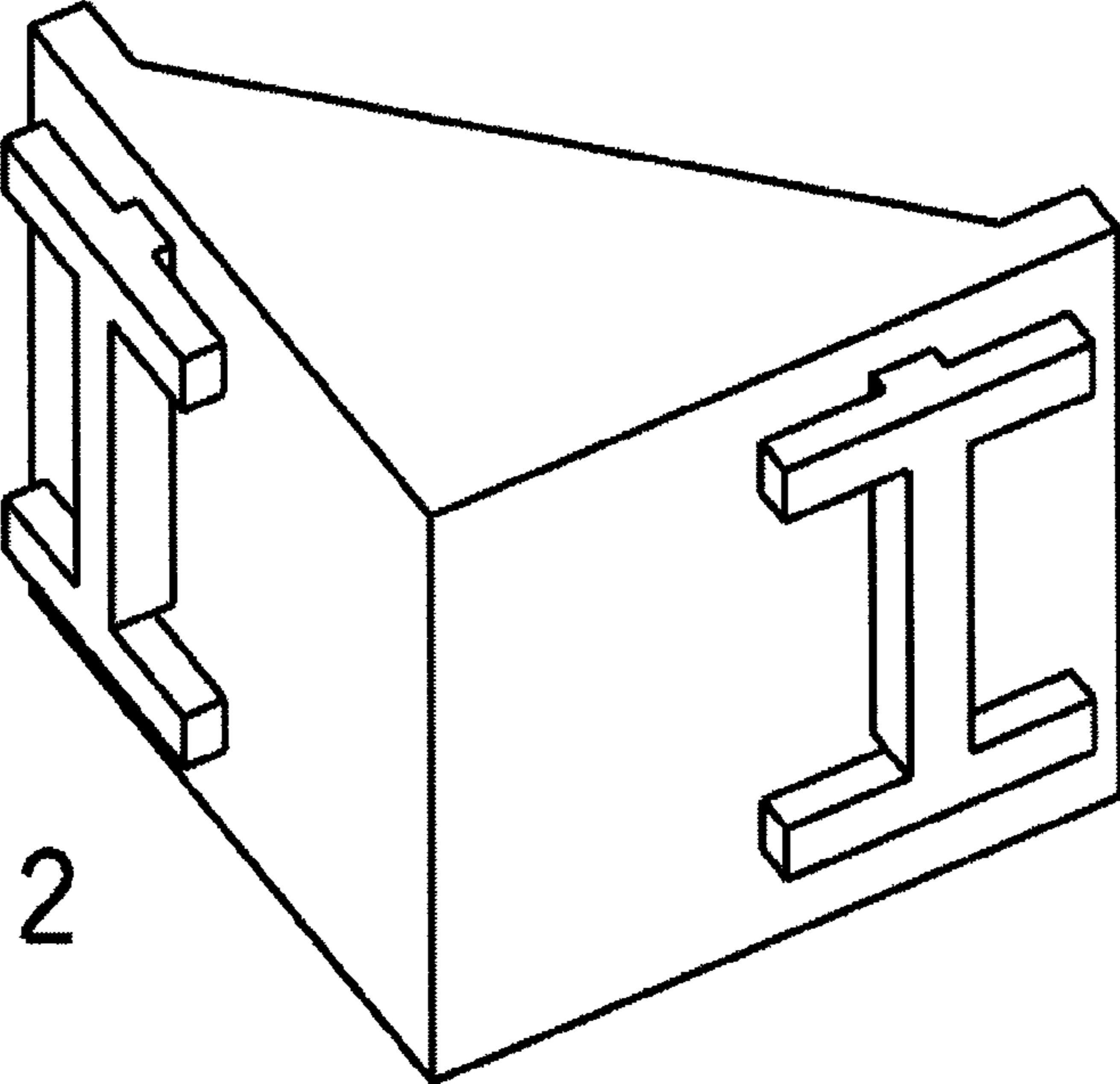


FIG. 2

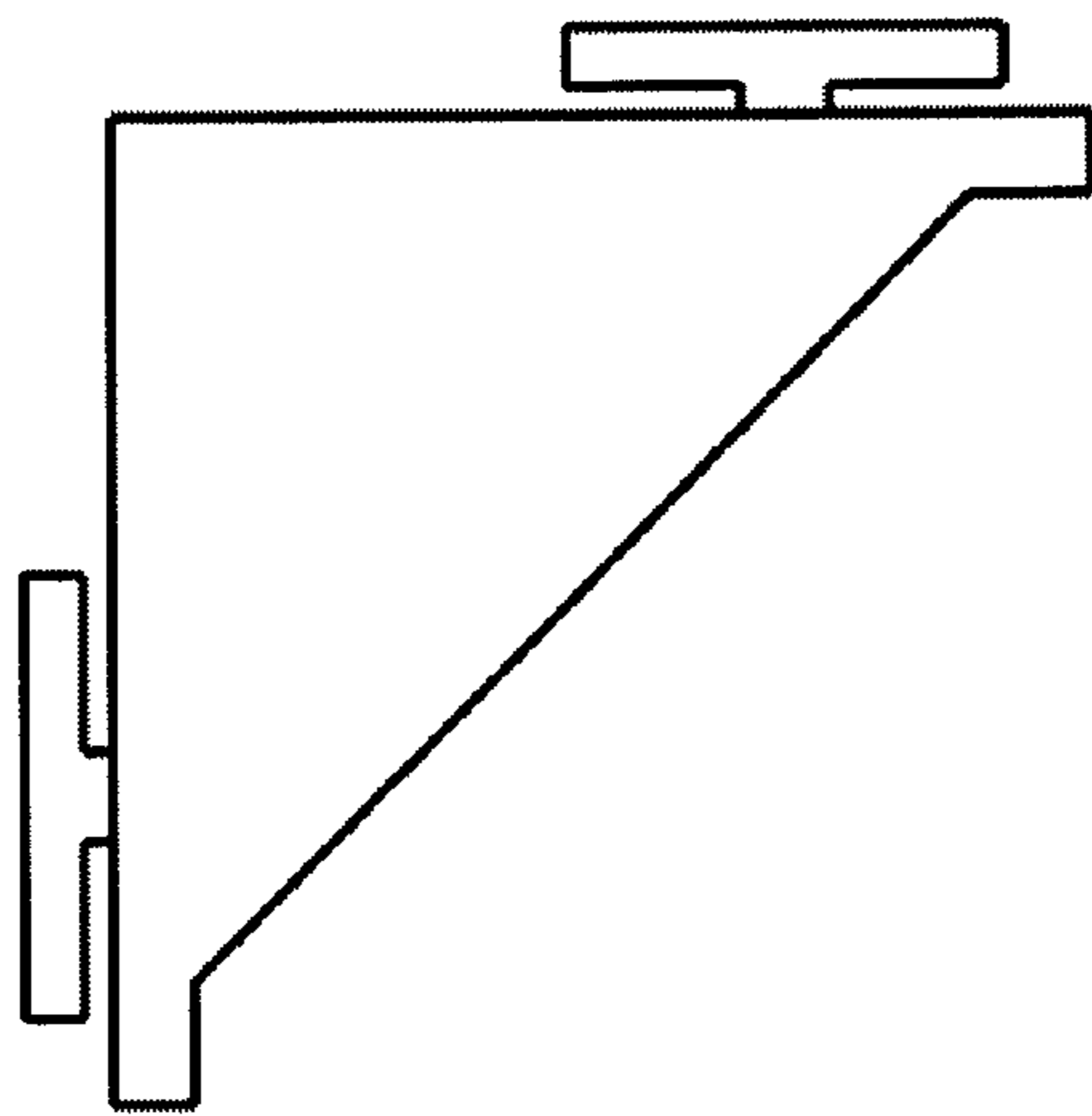


FIG. 3

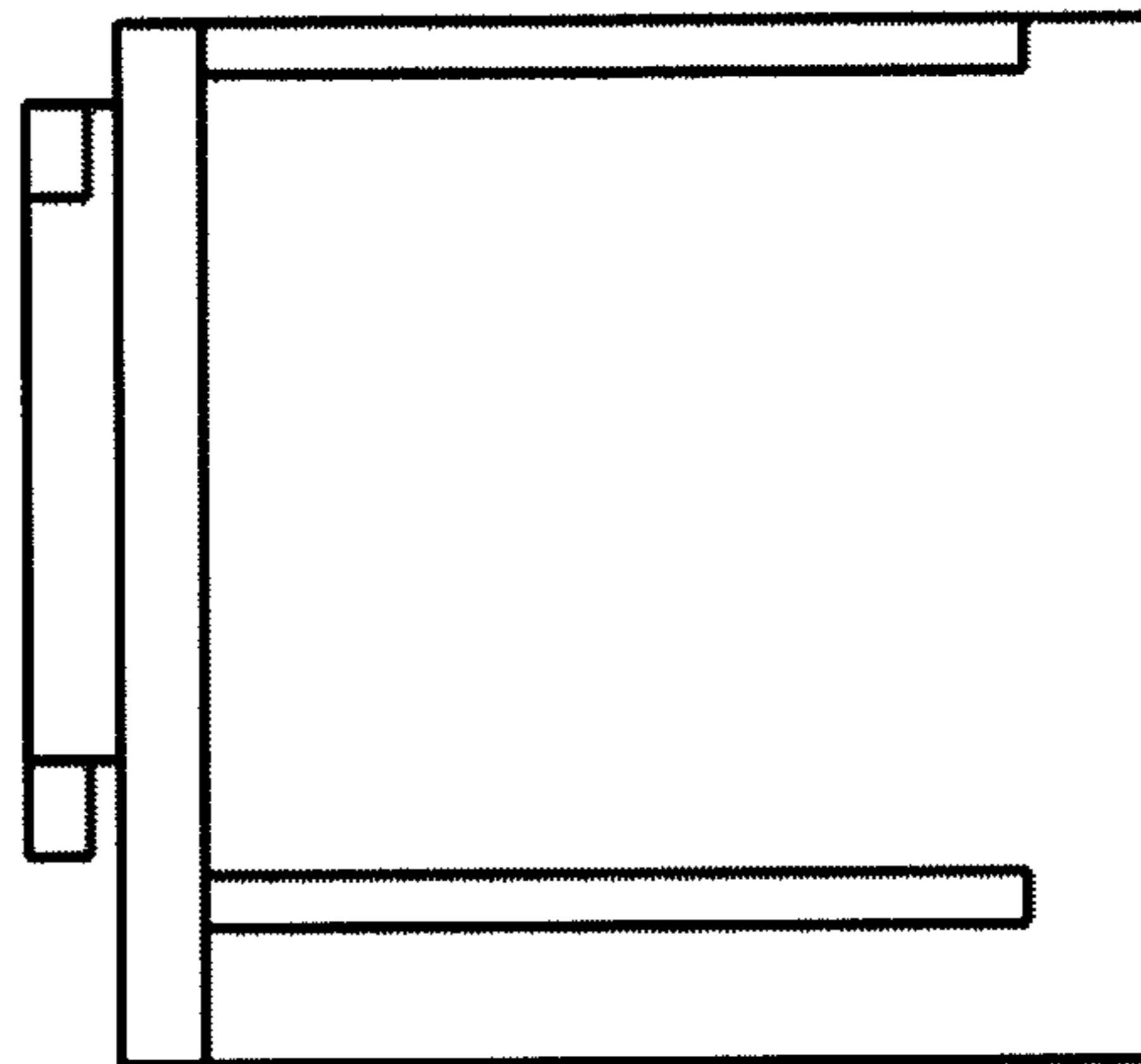


FIG. 4

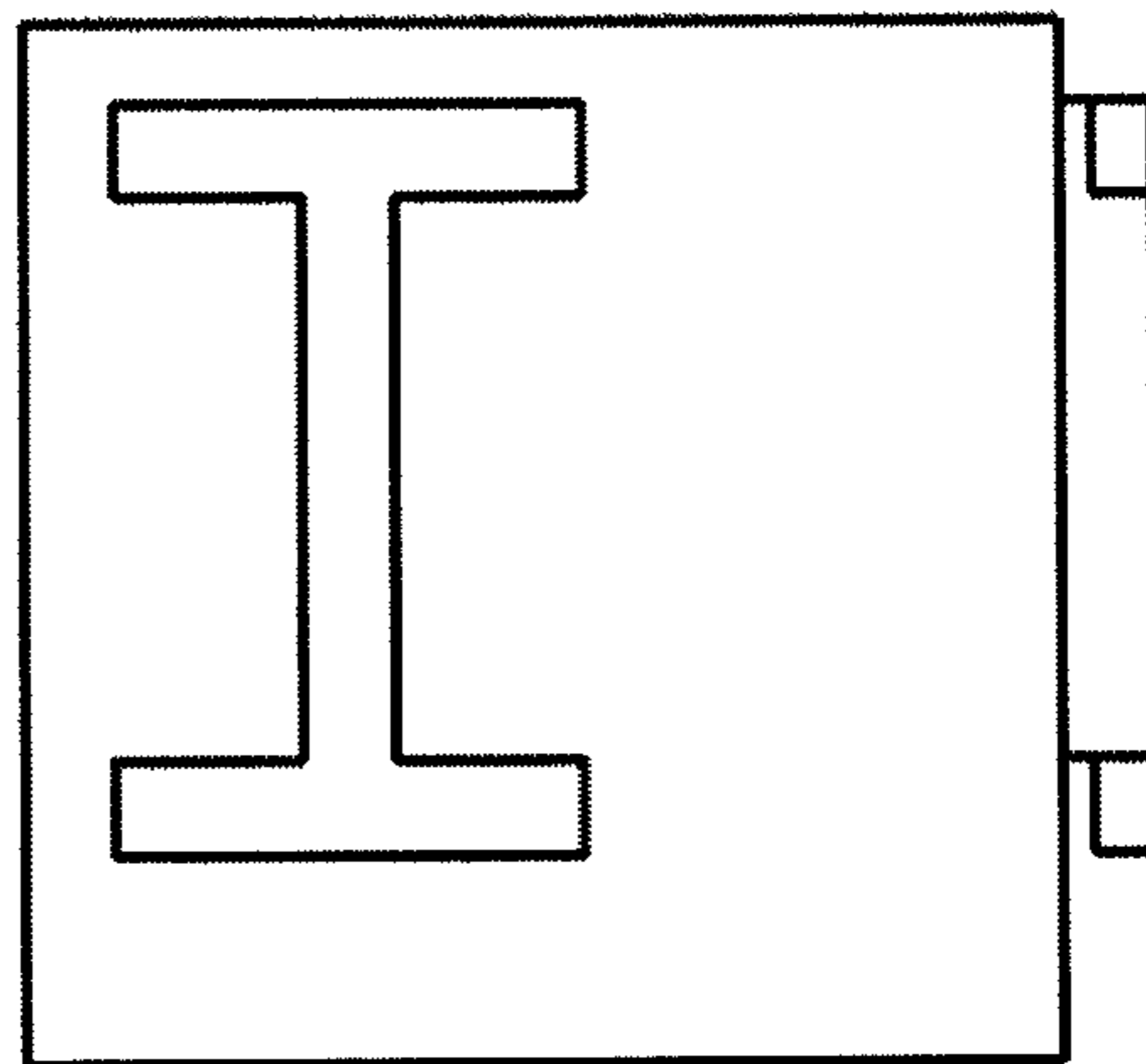


FIG. 5

FIG. 6

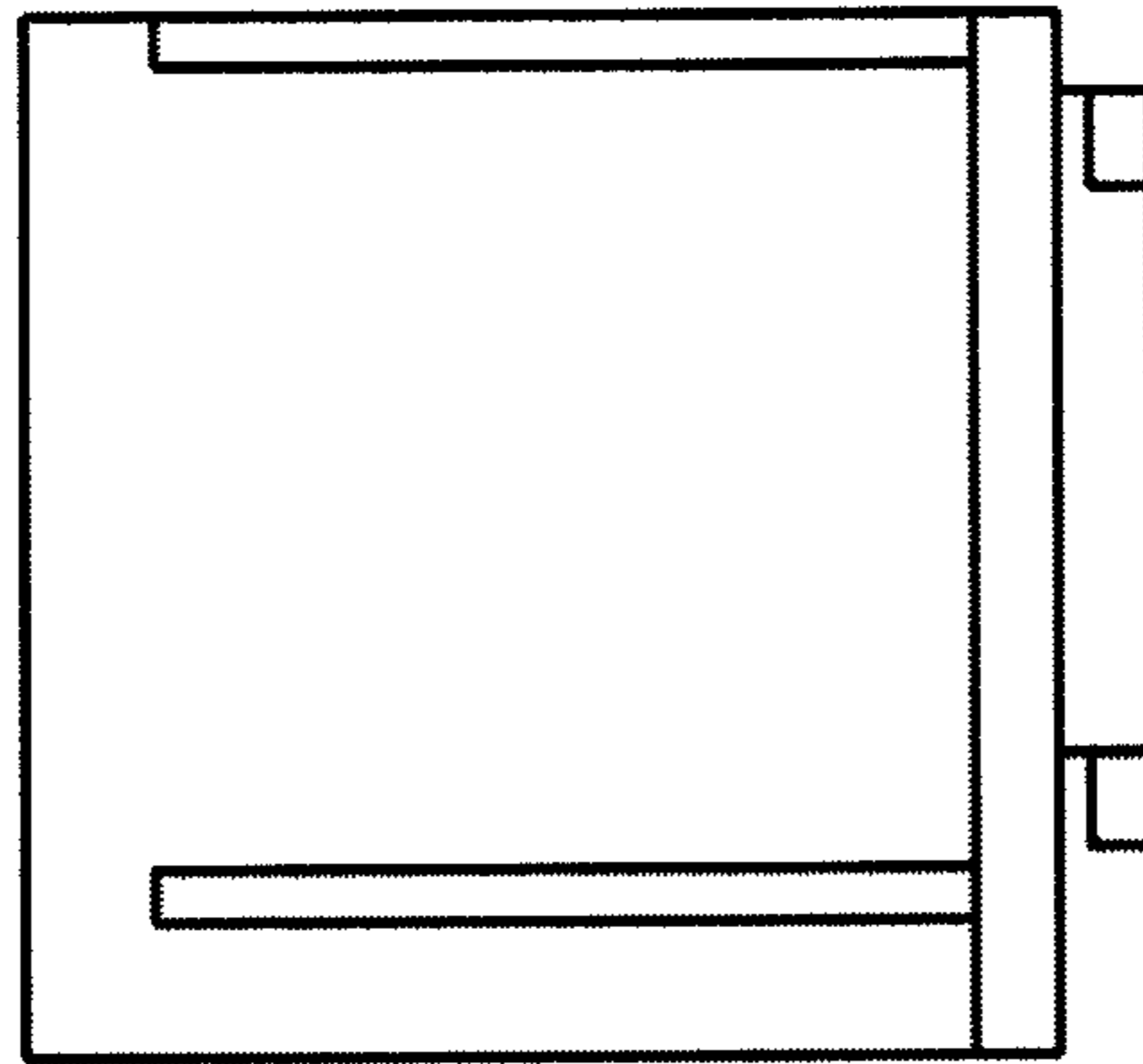


FIG. 7

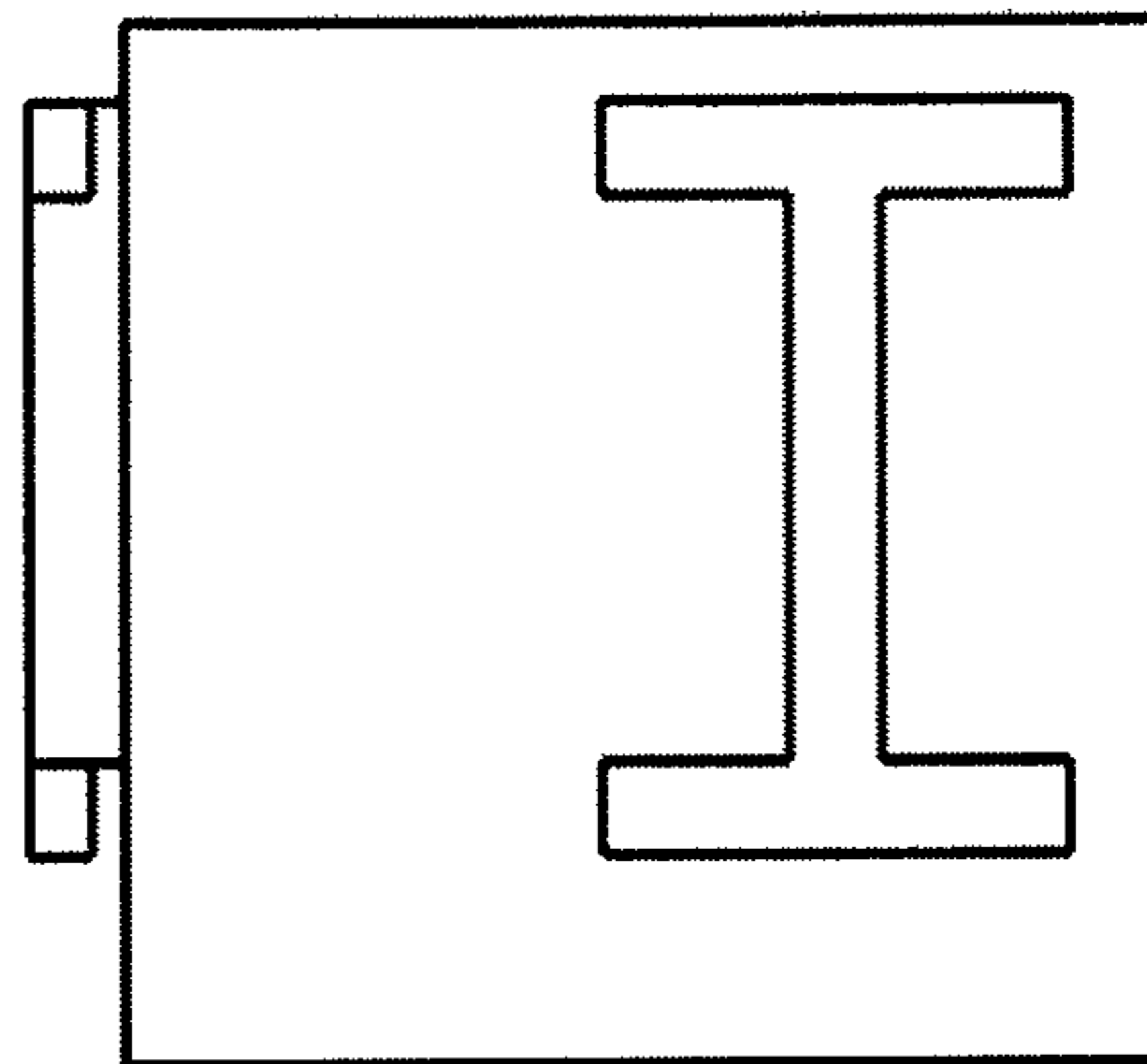


FIG. 8

