



US00D710790S

(12) **United States Design Patent**
O'Dell et al.

(10) **Patent No.:** **US D710,790 S**

(45) **Date of Patent:** **** Aug. 12, 2014**

(54) **VEHICLE RECOVERY TRACK**

(71) Applicant: **Natural Product Solutions Pty Ltd,**
South Oakleigh (AU)

(72) Inventors: **Ray O'Dell,** South Oakleigh (AU); **Paul Ryan,** Minto (AU); **Sue Boyd,** Liverpool (AU); **David Auld,** Richmond (AU); **Miroslav Egorov,** Richmond (AU)

(73) Assignee: **Natural Product Solutions Pty Ltd,**
Victoria (AU)

(**) Term: **14 Years**

(21) Appl. No.: **29/476,447**

(22) Filed: **Dec. 13, 2013**

(30) **Foreign Application Priority Data**

Jun. 14, 2013 (AU) 12752/2013

(51) **LOC (10) Cl.** **12-15**

(52) **U.S. Cl.**
USPC **D12/608**

(58) **Field of Classification Search**
USPC D12/608, 217, 203, 400; 180/9; 238/14;
248/352; 152/208, 221, 225
See application file for complete search history.

(56) **References Cited**

U.S. PATENT DOCUMENTS

3,025,002	A *	3/1962	Kunz	238/14
D308,035	S *	5/1990	Goto	D12/608
4,993,768	A	2/1991	Ewen		
D315,326	S *	3/1991	Pinto	D12/608
D348,240	S *	6/1994	Chiang	D12/608
5,402,941	A	4/1995	MacLeod		

D364,837	S *	12/1995	Hargrove	D12/608
D643,806	S *	8/2011	Yeh	D12/608
D654,428	S *	2/2012	Chiang	D12/608
8,231,066	B2 *	7/2012	McCarthy	238/14
D669,025	S *	10/2012	Spektor	D12/608
D700,887	S *	3/2014	Minnis	D12/608

FOREIGN PATENT DOCUMENTS

CA	2 137 486	12/1994
CA	2 231 112	10/1999
CA	2 245 309	2/2000
EP	0 108 292	10/1983
WO	2005028219	3/2005

* cited by examiner

Primary Examiner — Stacia Cadmus

(74) *Attorney, Agent, or Firm* — Whitham Curtis
Christofferson & Cook, PC

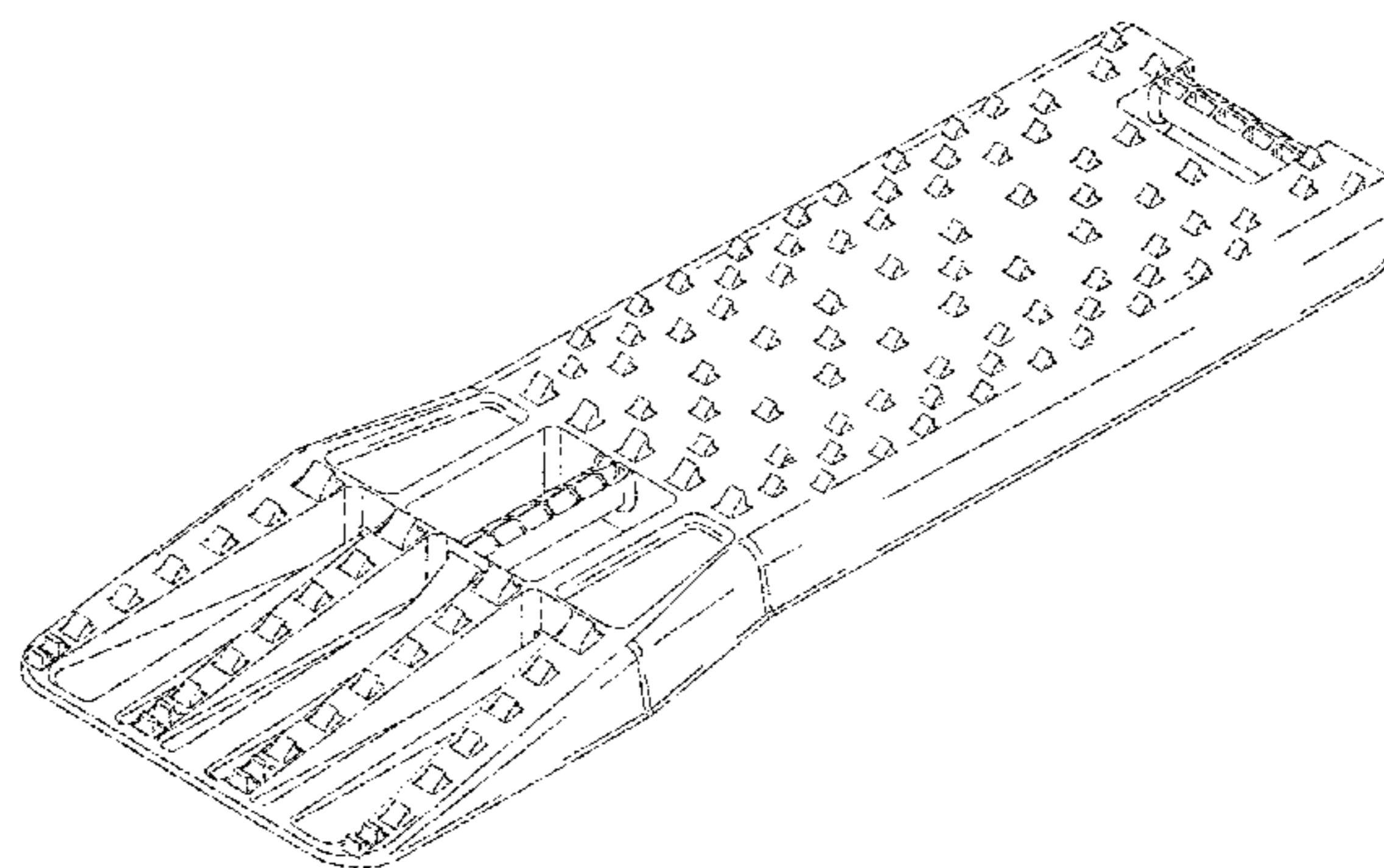
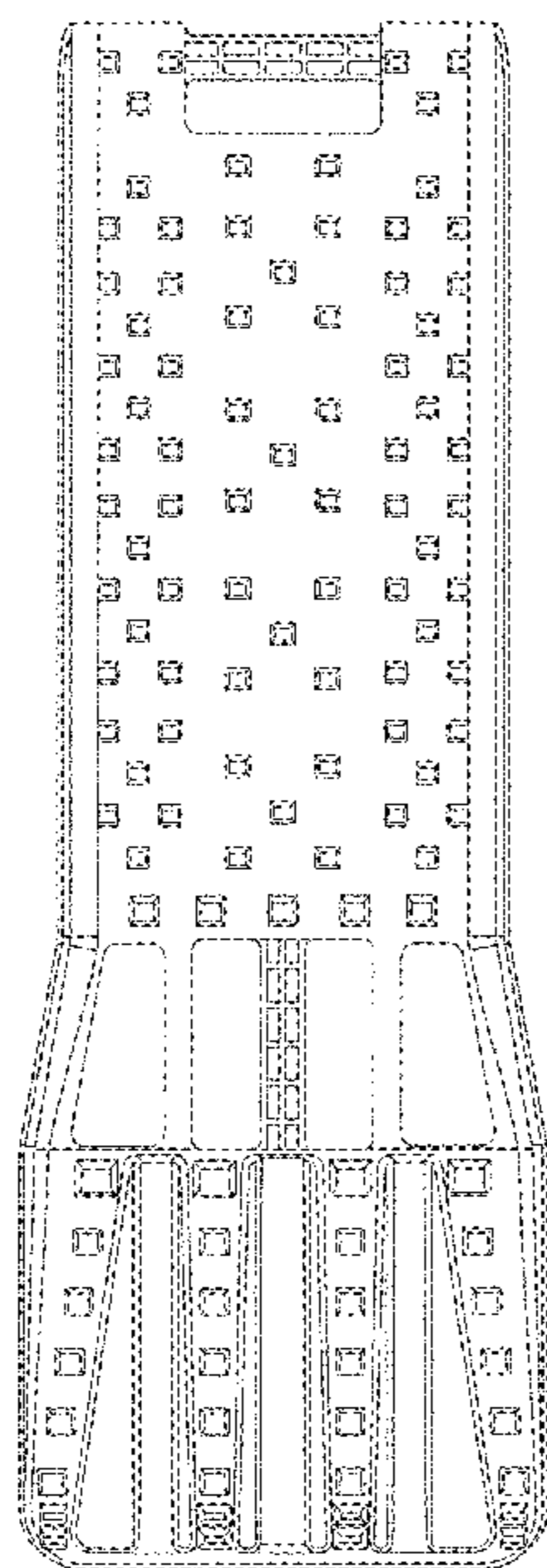
(57) **CLAIM**

We claim the ornamental design for vehicle recovery track, as shown and described.

DESCRIPTION

FIG. 1 is a front elevational view of a vehicle recovery track; FIG. 2 is a rear elevational view of the vehicle recovery track; FIG. 3 is a right side elevational view of the vehicle recovery track; FIG. 4 is a left side elevational view of the vehicle recovery track; FIG. 5 is a bottom plan view of the vehicle recovery track; FIG. 6 is a top plan view of the vehicle recovery track; FIG. 7 is a bottom isometric view of the vehicle recovery track; and, FIG. 8 is a top isometric view of the vehicle recovery track.

1 Claim, 8 Drawing Sheets



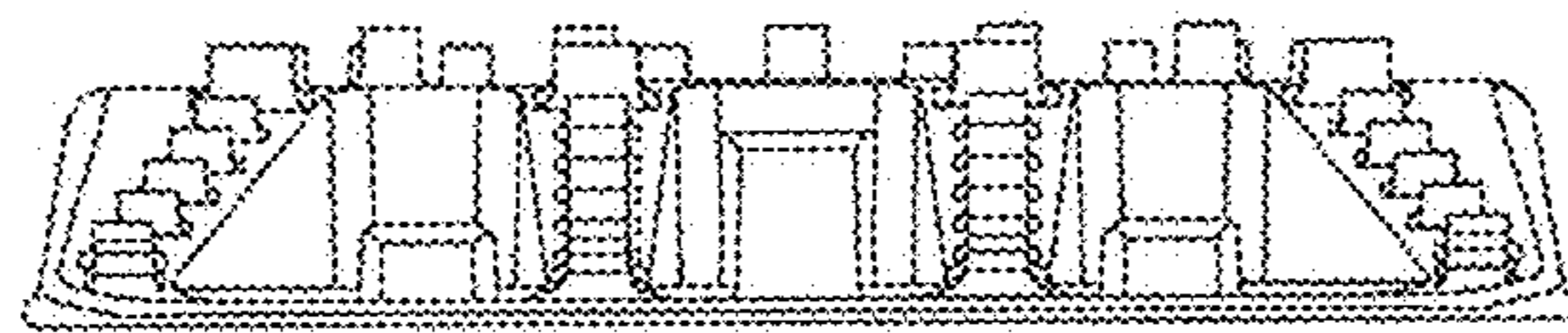


Figure 1

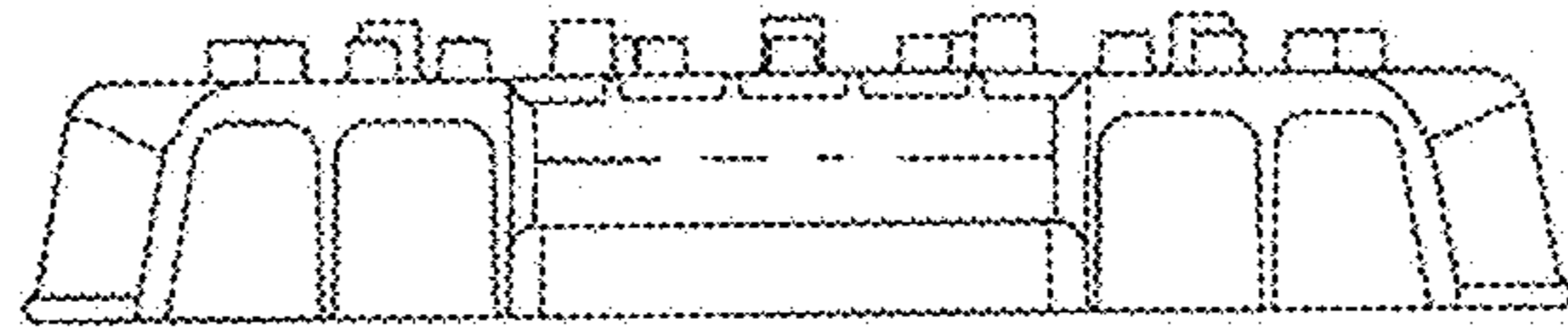


Figure 2

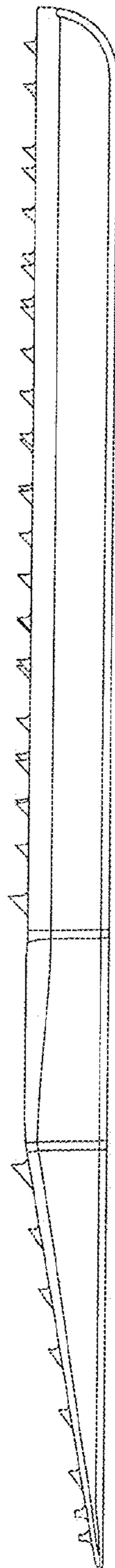


Figure 3

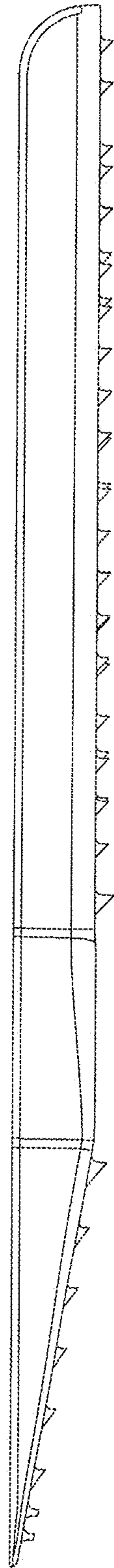


Figure 4

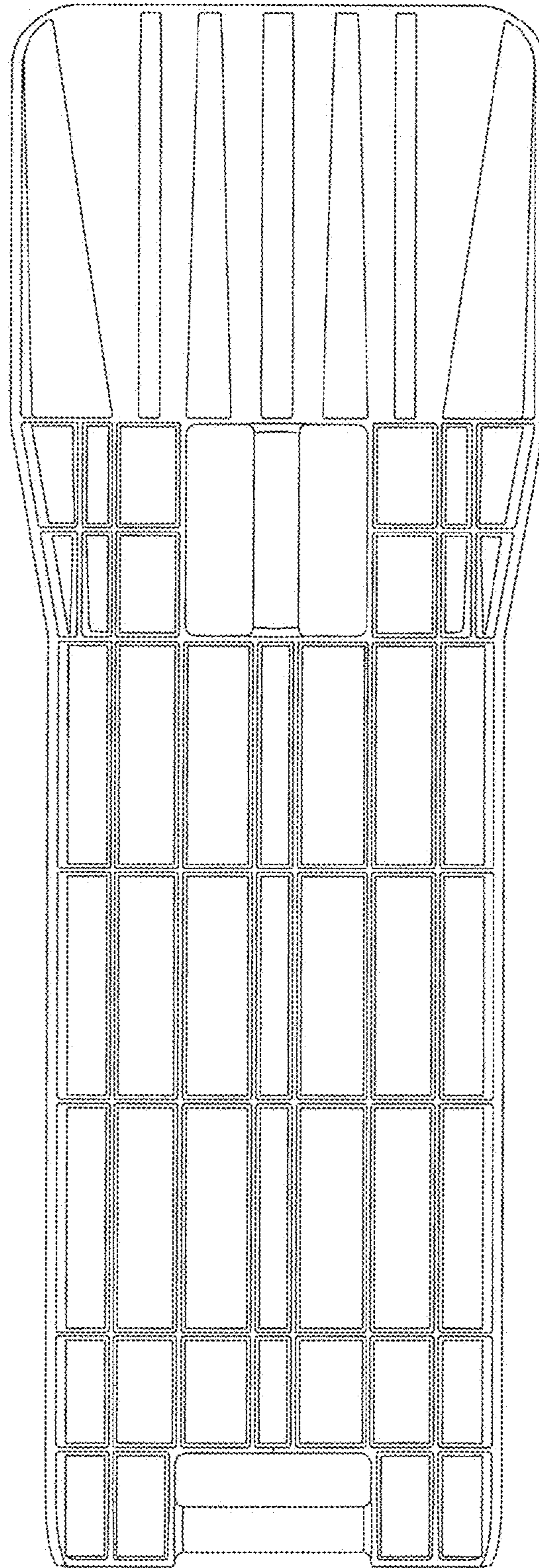


Figure 5

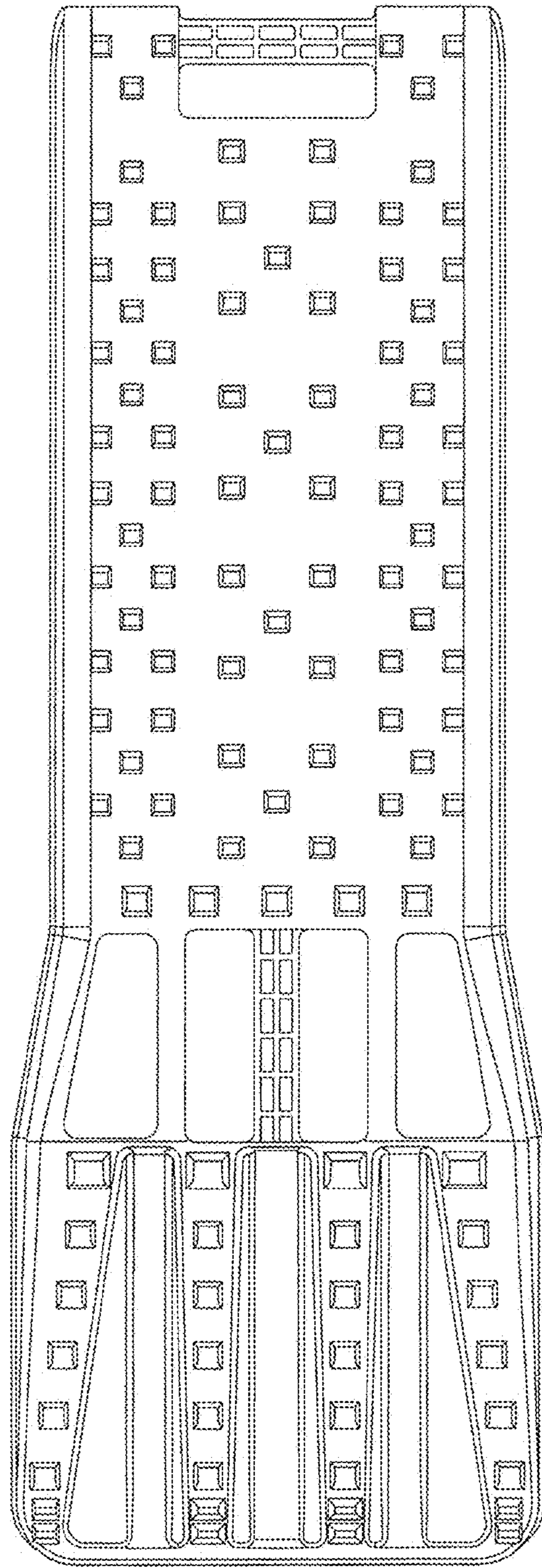


Figure 6

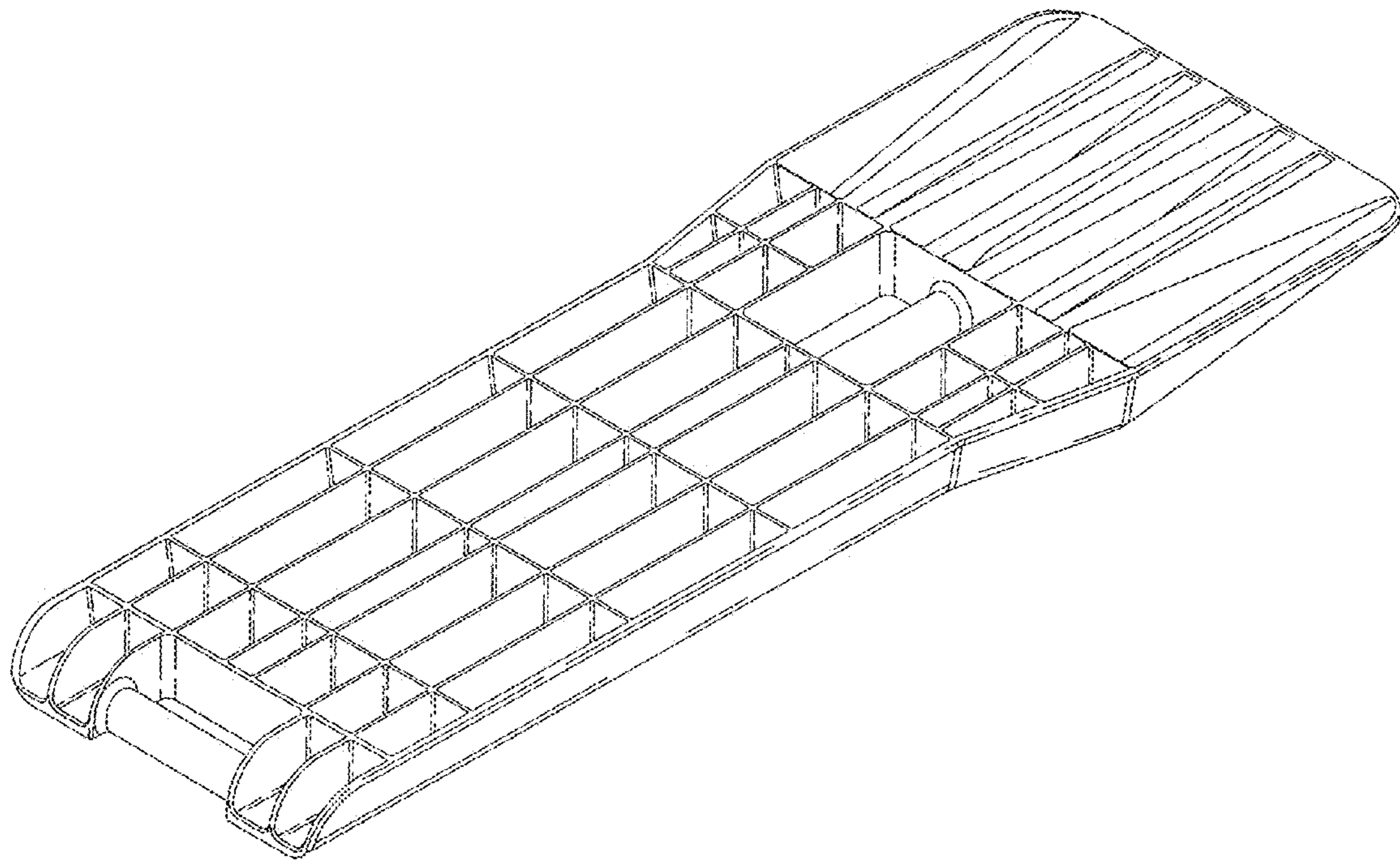


Figure 7

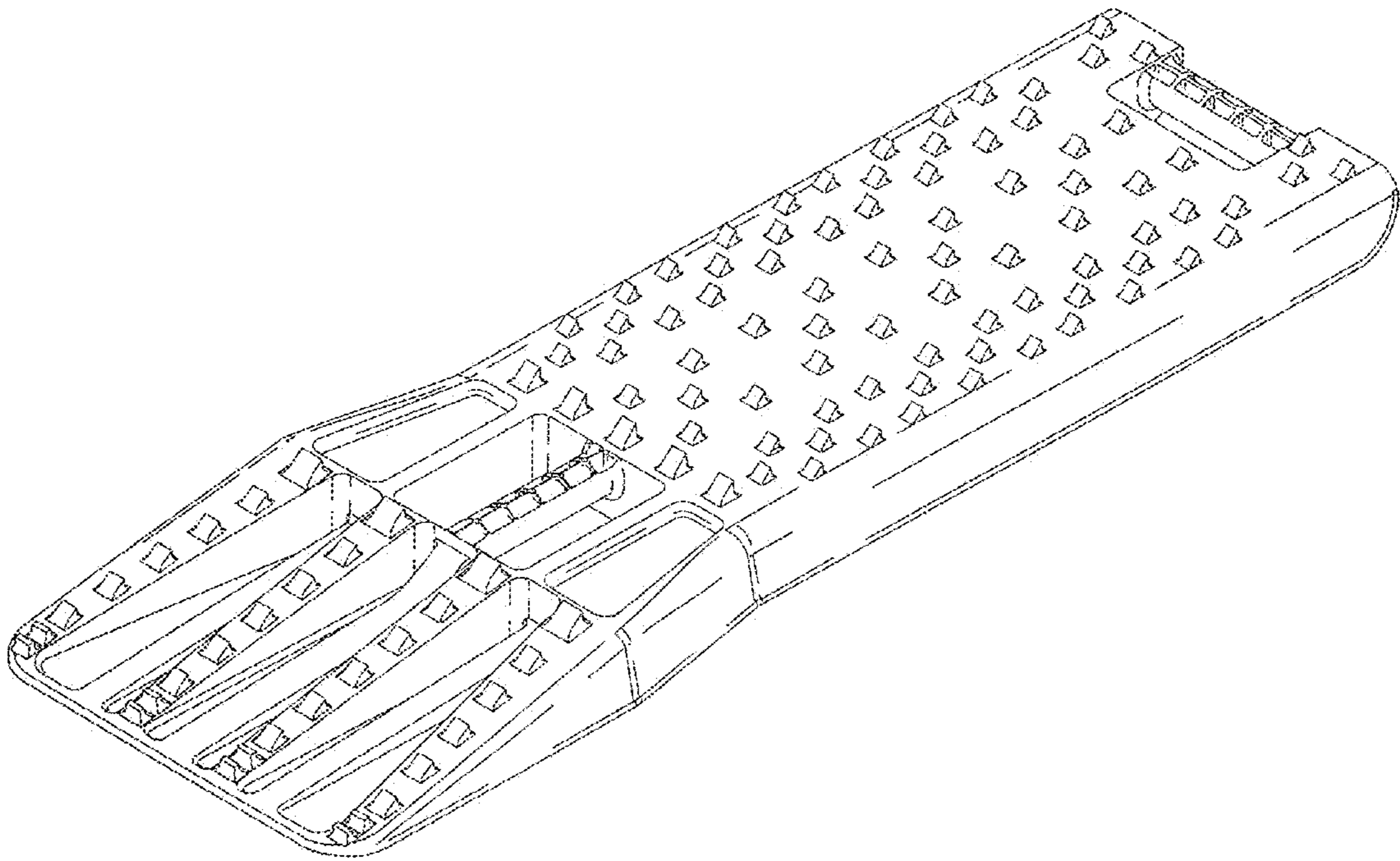


Figure 8