



US00D710786S

(12) **United States Design Patent**
Tilscher

(10) **Patent No.:** **US D710,786 S**

(45) **Date of Patent:** **** Aug. 12, 2014**

(54) **CENTER CONSOLE FOR A VEHICLE**

(56) **References Cited**

(71) Applicant: **Dr. Ing. h.c. F. Porsche**
Aktiengesellschaft, Stuttgart (DE)

U.S. PATENT DOCUMENTS

(72) Inventor: **Carsten Tilscher, Stuttgart (DE)**

D474,441	S	*	5/2003	Hill et al.	D12/415
6,616,206	B2	*	9/2003	Luginbill et al.	296/37.8
D522,957	S	*	6/2006	Miyashita	D12/424
D530,660	S	*	10/2006	Norman et al.	D12/415
D568,232	S	*	5/2008	Motozaki et al.	D12/421
D581,862	S	*	12/2008	Anttila et al.	D12/421
D598,362	S	*	8/2009	Tan et al.	D12/415
D624,869	S	*	10/2010	Corradi	D12/415
D632,639	S	*	2/2011	Rosenbohm	D12/415
D656,457	S	*	3/2012	Crepeau	D12/419

(73) Assignee: **Dr. Ing. h.c. F. Porsche**
Aktiengesellschaft, Stuttgart (DE)

(**) Term: **14 Years**

* cited by examiner

(21) Appl. No.: **29/445,225**

Primary Examiner — Katrina A Betton

(22) Filed: **Feb. 8, 2013**

(74) *Attorney, Agent, or Firm* — RatnerPrestia

(30) **Foreign Application Priority Data**

(57) **CLAIM**

Aug. 9, 2012 (DE) 402012100636

The ornamental design for a center console for a vehicle, as shown and described.

(51) **LOC (10) Cl.** **12-16**

DESCRIPTION

(52) **U.S. Cl.**
USPC **D12/424**

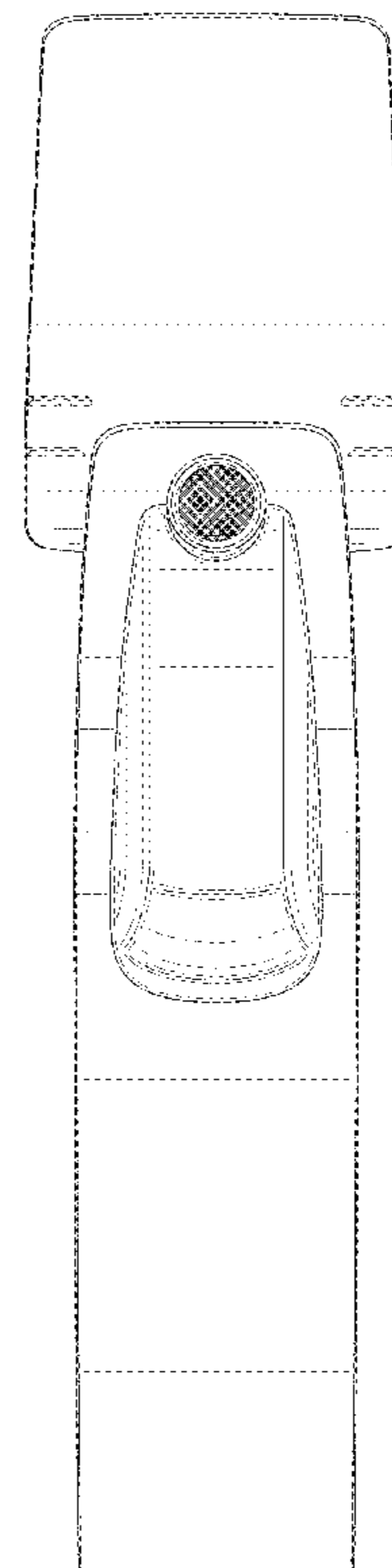
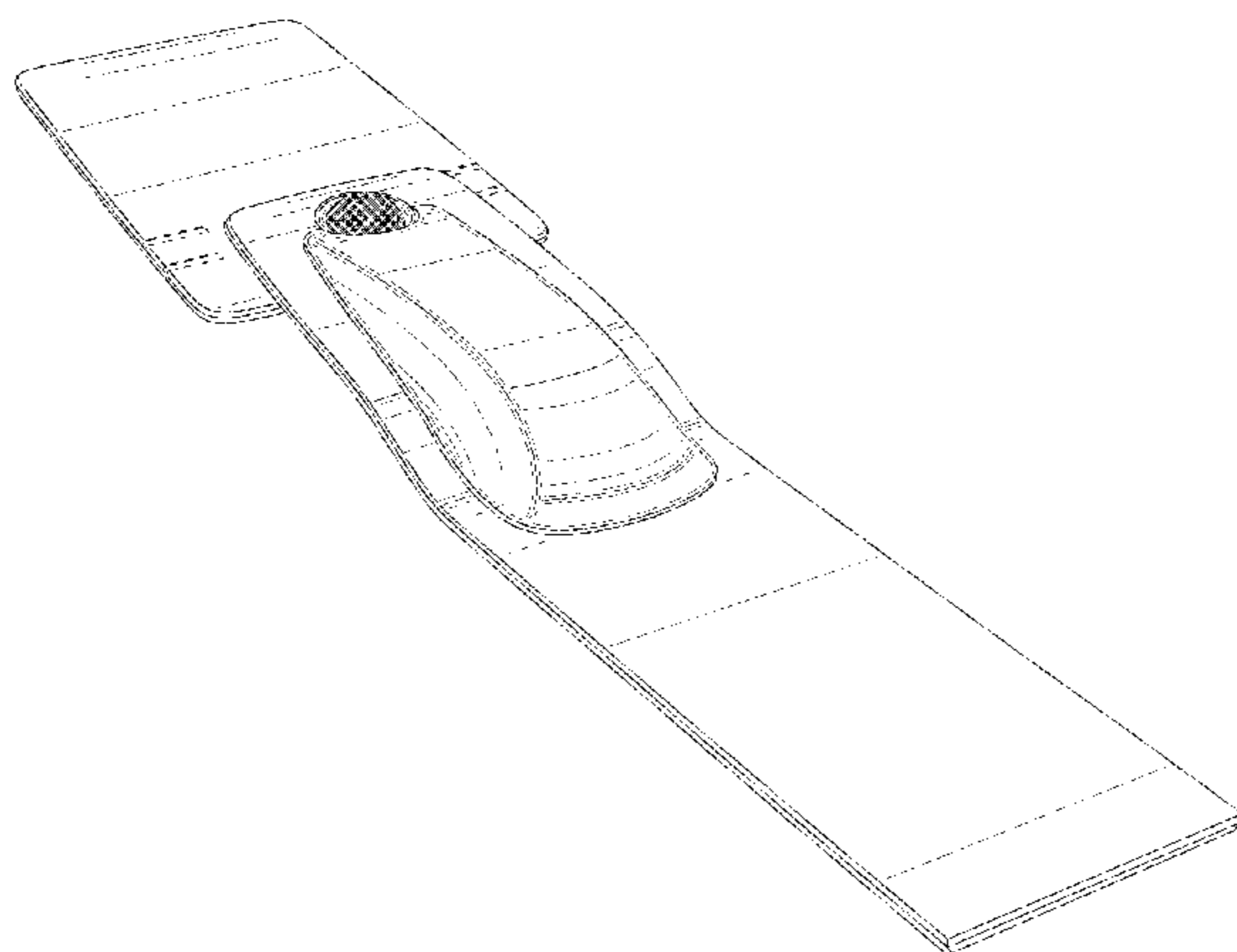
FIG. 1 is a perspective view of a center console for a vehicle;
FIG. 2 is a top plan view thereof;
FIG. 3 is a right side elevation view thereof, the left side being
a mirror image thereof; and,
FIG. 4 is a front elevation view thereof.

(58) **Field of Classification Search**
USPC D12/415-425, 191, 106, 400, 195, 345,
D12/96, 99; 312/246; 296/97.1-97.8, 70,
296/24.1-24.3, 24.32; 224/311, 539, 281,
224/118.1

The features that are shown in broken lines are for illustration
only and form no part of the claimed design.

See application file for complete search history.

1 Claim, 4 Drawing Sheets



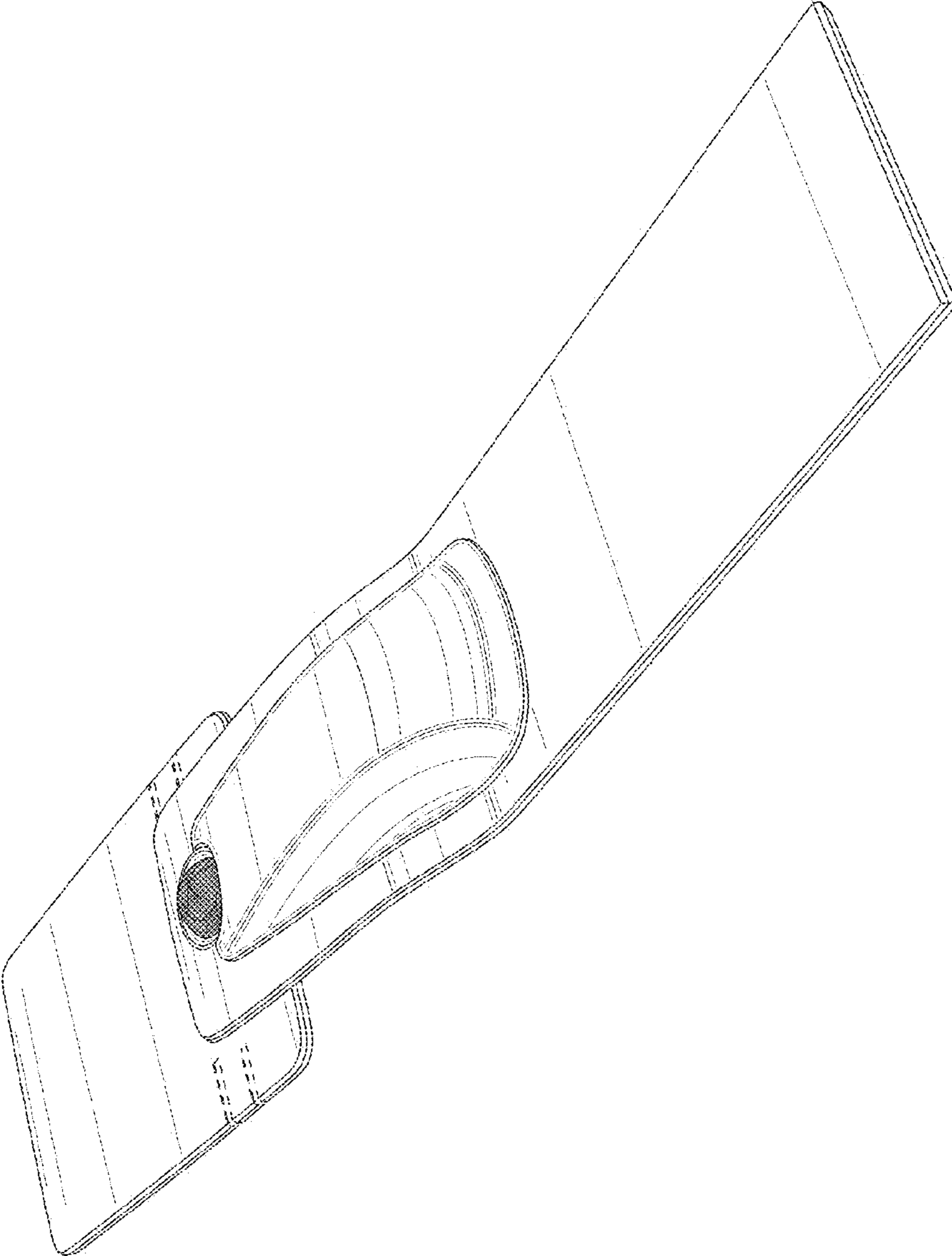


FIG. 1

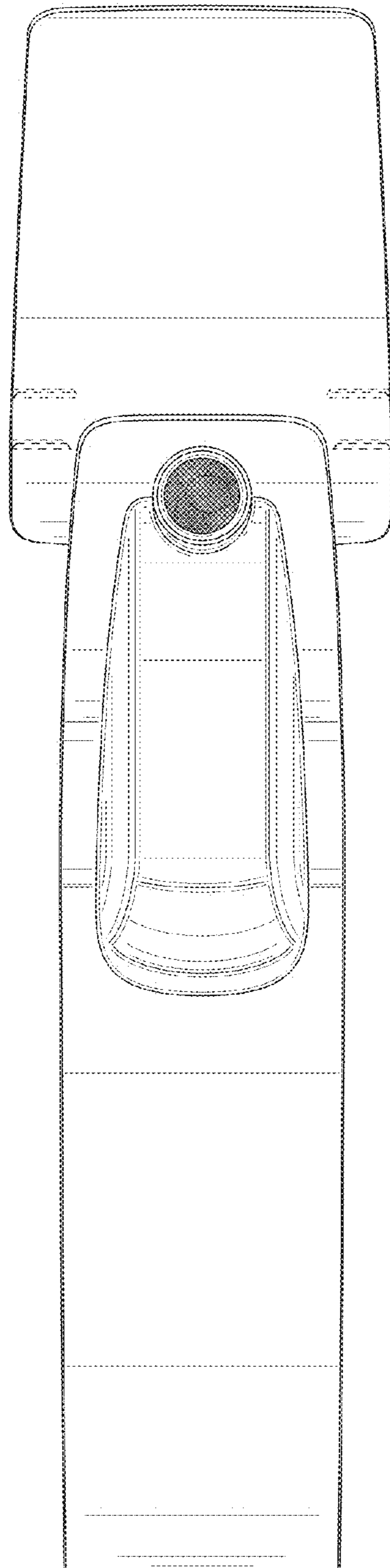


FIG. 2

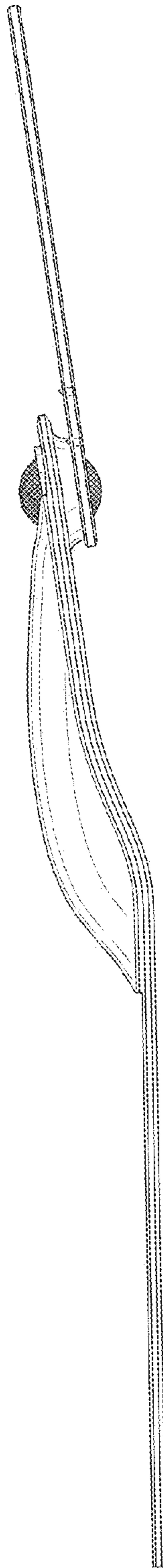


FIG. 3

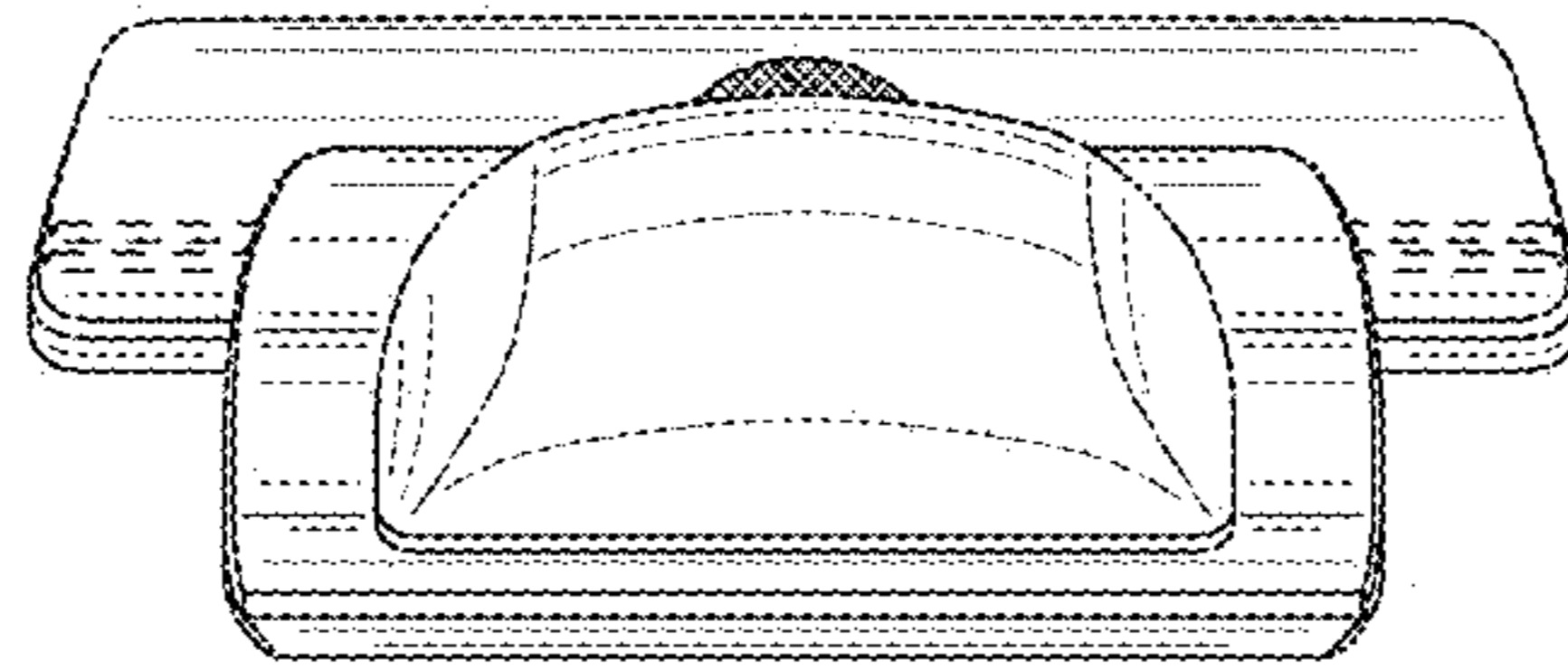


FIG. 4