



US00D710784S

(12) **United States Design Patent**
Williams

(10) **Patent No.:** **US D710,784 S**

(45) **Date of Patent:** **** Aug. 12, 2014**

(54) **CENTER CONSOLE**

(75) Inventor: **Steve Williams**, Stevens Point, WI (US)

(73) Assignee: **L&P Property Management Company**, South Gate, CA (US)

(**) Term: **14 Years**

(21) Appl. No.: **29/406,818**

(22) Filed: **Nov. 18, 2011**

(51) **LOC (10) Cl.** **12-16**

(52) **U.S. Cl.**
USPC **D12/415**

(58) **Field of Classification Search**
USPC D12/415-419, 96, 400, 195, 345, 99,
D12/191, 106; 312/246; 296/37.1-37.8, 70,
296/24.1, 24.2, 24.3, 137.1, 97.1, 97.2,
296/97.4, 97.5, 97.6, 97.7, 1; 224/311, 539,
224/281, 118.1, 275; D8/354;
D14/451-452; 248/278.1, 274.1,
248/284.1; D9/423; D3/319; 160/370.21,
160/370.23, 370.22
See application file for complete search history.

(56) **References Cited**

U.S. PATENT DOCUMENTS

D218,438 S	8/1970	Shook	
D233,428 S *	10/1974	Hestand	D12/415
D249,262 S *	9/1978	Neece	D12/415
D279,329 S *	6/1985	Dzak	D12/415
4,690,448 A	9/1987	Fujisawa	
4,796,791 A	1/1989	Goss et al.	
4,818,008 A	4/1989	Cressoni	
5,085,481 A	2/1992	Fluharty et al.	
D363,916 S *	11/1995	Johnson	D12/415
5,609,382 A	3/1997	Schmid et al.	
D429,209 S	8/2000	Inchaurregui	

D429,684 S *	8/2000	Johnson	D12/415
D434,365 S *	11/2000	Herer et al.	D12/415
D437,299 S	2/2001	Johnson	
D453,318 S *	2/2002	Moore	D12/415
6,388,881 B2	5/2002	Yamauchi et al.	
6,428,072 B1	8/2002	Moore	
6,616,206 B2	9/2003	Luginbill et al.	
D500,284 S *	12/2004	Clark	D12/415
7,210,725 B2	5/2007	Moore	
7,237,816 B1	7/2007	Singh et al.	
D568,232 S	5/2008	Motozaki et al.	
7,506,843 B2	3/2009	McKelvey	

(Continued)

OTHER PUBLICATIONS

Office Action from the Canadian Intellectual Property Office for Application No. 143540 dated Apr. 4, 2012 (2 pages).

(Continued)

Primary Examiner — Katrina A Betton

(74) *Attorney, Agent, or Firm* — Michael Best & Friedrich LLP

(57) **CLAIM**

I claim the ornamental design for a center console, as shown.

DESCRIPTION

FIG. 1 is a perspective view of a first embodiment of a center console.

FIG. 2 is a rear view of the center console shown in FIG. 1.

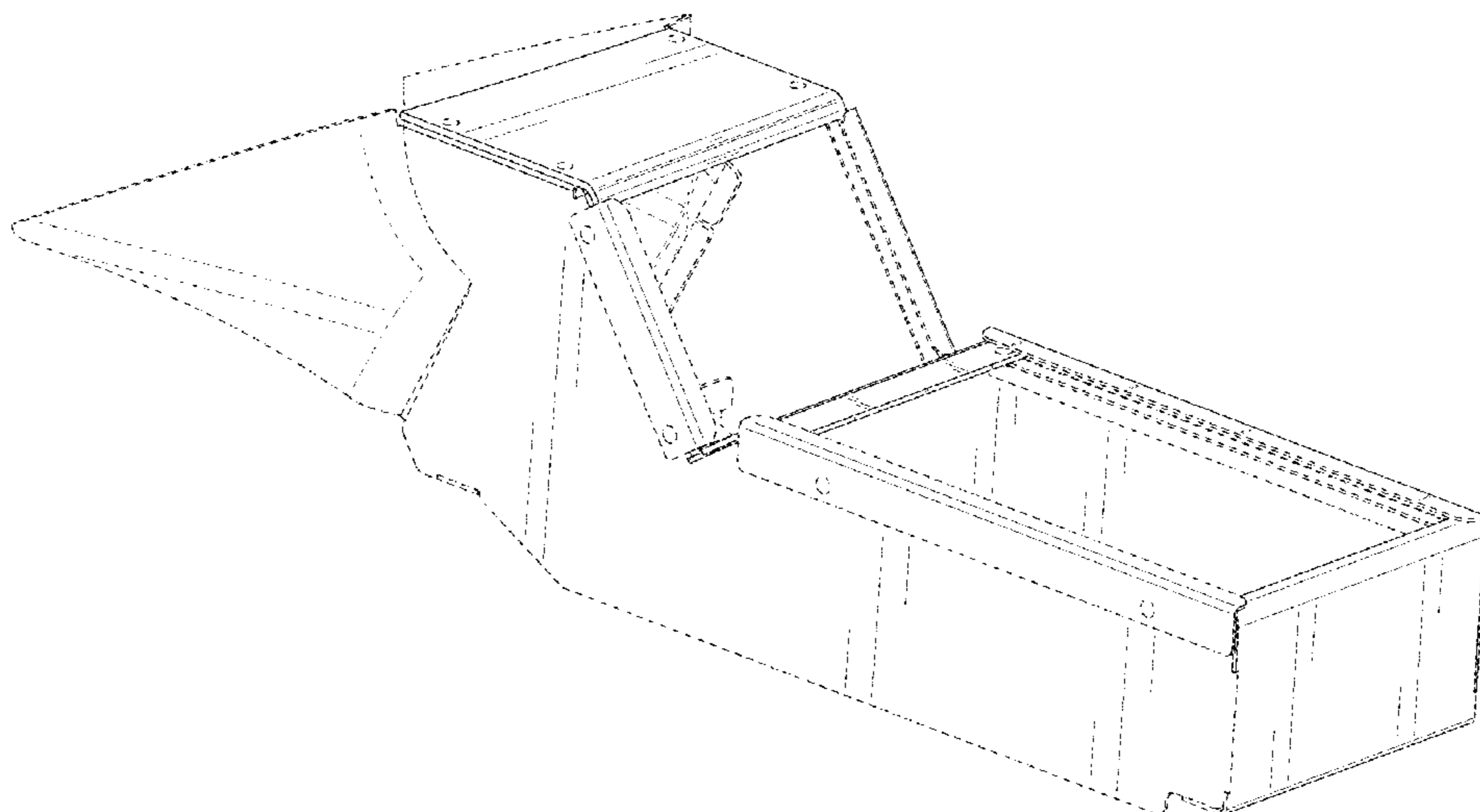
FIG. 3 is a right side view of the center console shown in FIG. 1.

FIG. 4 is a left side view of the center console shown in FIG. 1; and,

FIG. 5 is a top view of the center console shown in FIG. 1.

In the drawings, the broken lines in depict portions of the article that form no part of the claimed design.

1 Claim, 5 Drawing Sheets



(56)

References Cited

U.S. PATENT DOCUMENTS

D632,639 S 2/2011 Rosenbohm
7,891,719 B2 2/2011 Carnevali
7,914,059 B2 3/2011 Carnevali
D672,307 S * 12/2012 Von Holzhausen et al. . D12/415
2003/0067183 A1 4/2003 Moore
2004/0169387 A1 9/2004 Moore
2007/0216182 A1 9/2007 Moore
2010/0090489 A1 4/2010 Carnevali
2010/0090490 A1 4/2010 Carnevali
2010/0282802 A1 11/2010 Carnevali
2010/0283277 A1 11/2010 Carnevali
2010/0283281 A1 11/2010 Carnevali

OTHER PUBLICATIONS

Havis part No. C-VS-0812-CHGR, Havis, Inc., known and accessible to the public at least prior to Nov. 18, 2010, retrieved from the Internet <URLs: http://www.havis.com/data/1-Mounting/Consoles/C-VS%20Series/C-VS-0812-CHGR/C-VS-0812-CHGR-1_ISO_2-10.jpg and http://www.havis.com/data/1-Mounting/Consoles/C-VS%20Series/C-VS-0812-CHGR/C-VS-0812-CHGR_INST_3-11.pdf>, 5 pages.

Jotto part No. 425-6138, Jotto Desk, known and accessible to the public at least prior to Nov. 18, 2010, retrieved from the Internet <URL: http://www.customorderpolicespecialties.com/Jotto-Desk-Consoles/Jotto_Desk_Dodger_Charger_425_6138>, 2 pages.

* cited by examiner

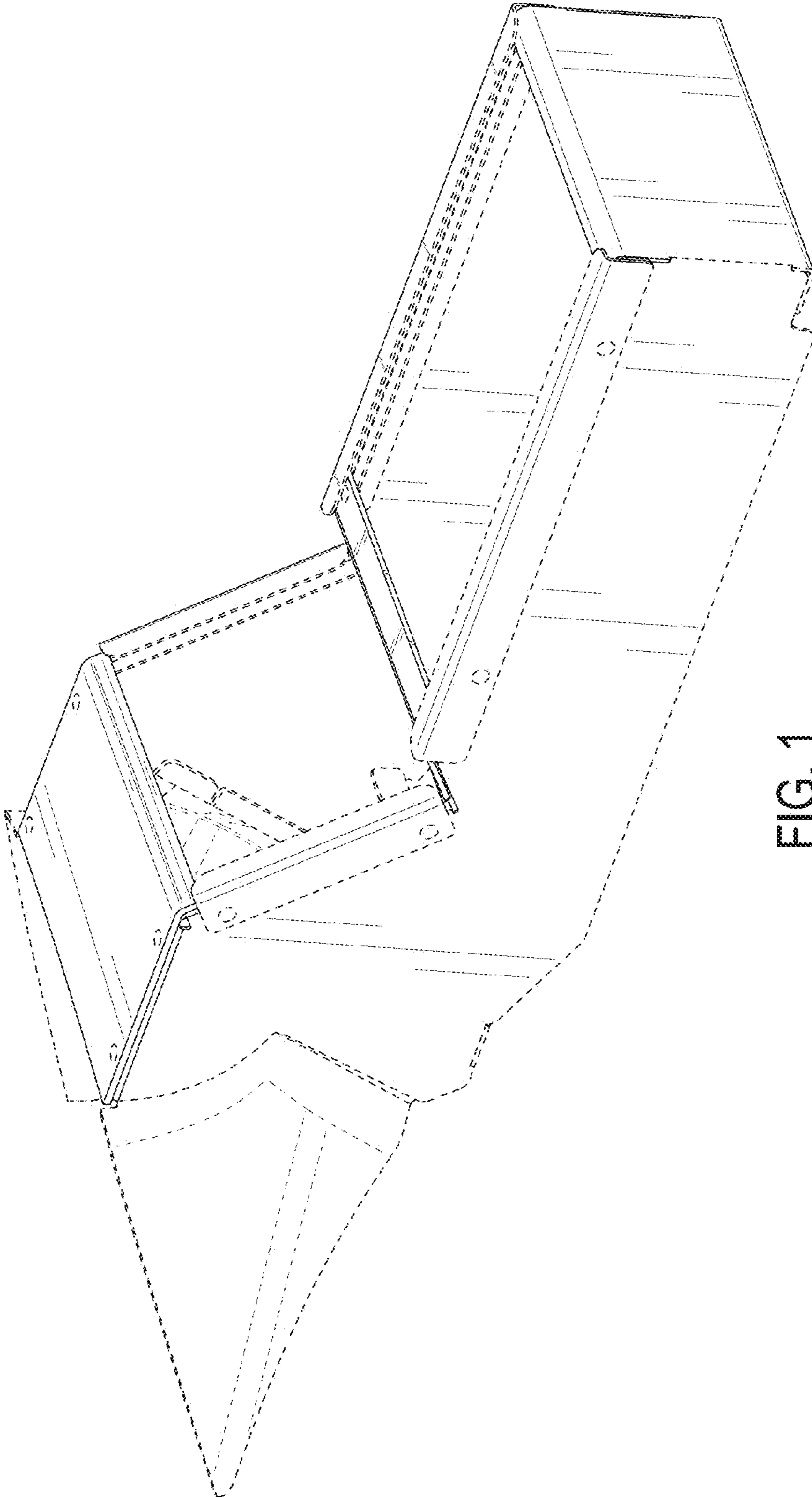


FIG. 1

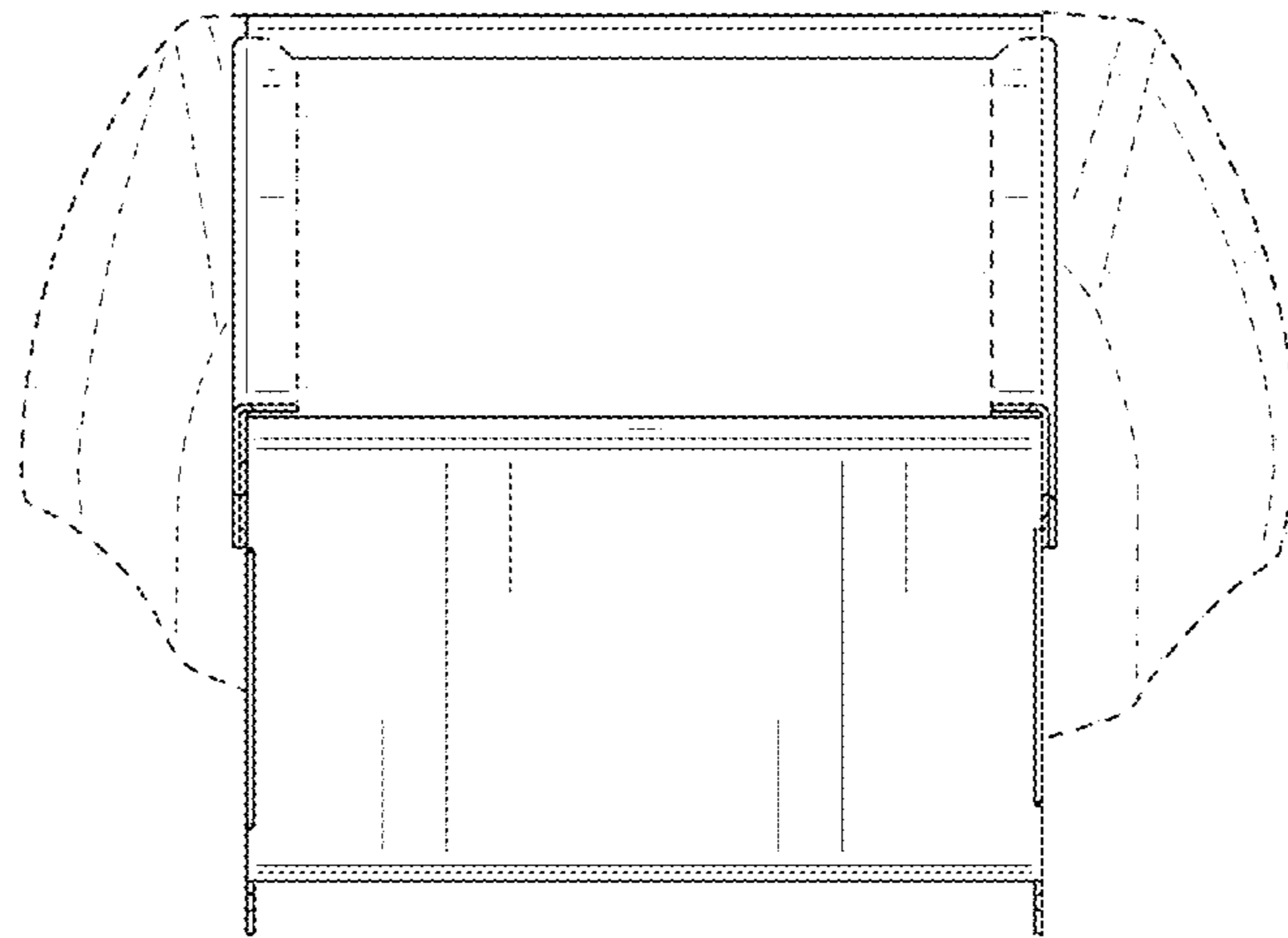


FIG. 2

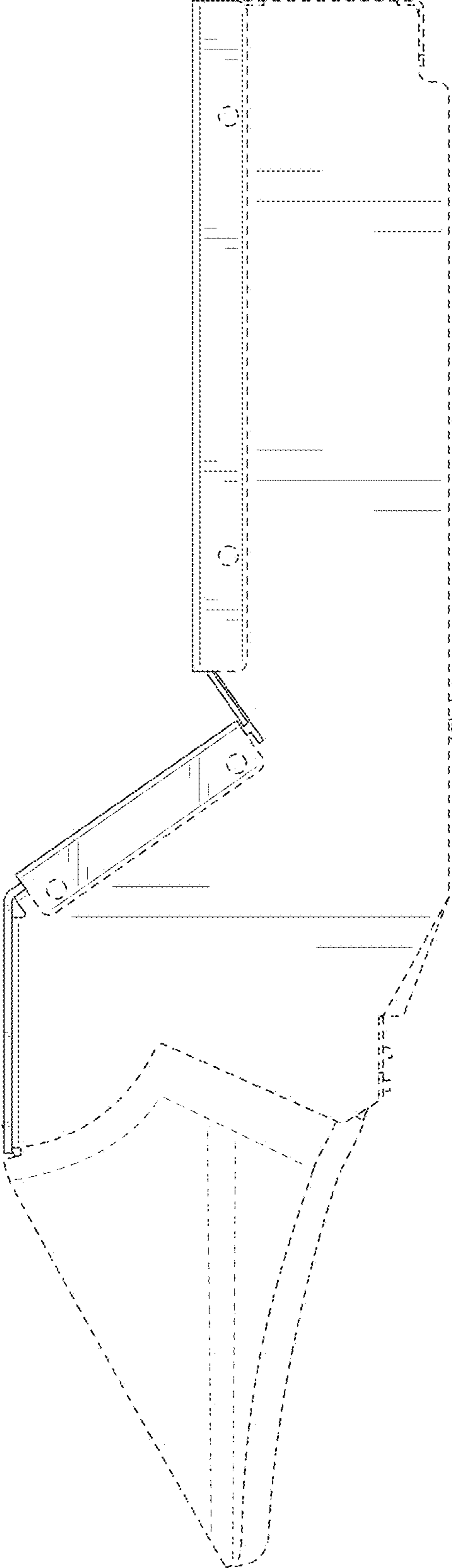


FIG. 3

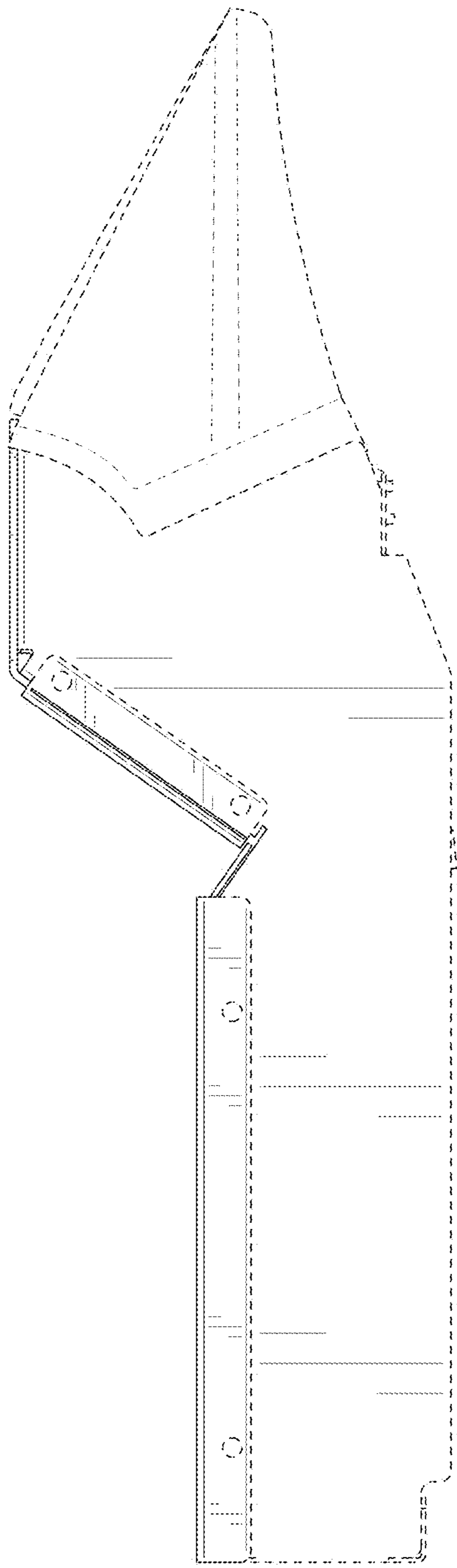


FIG. 4

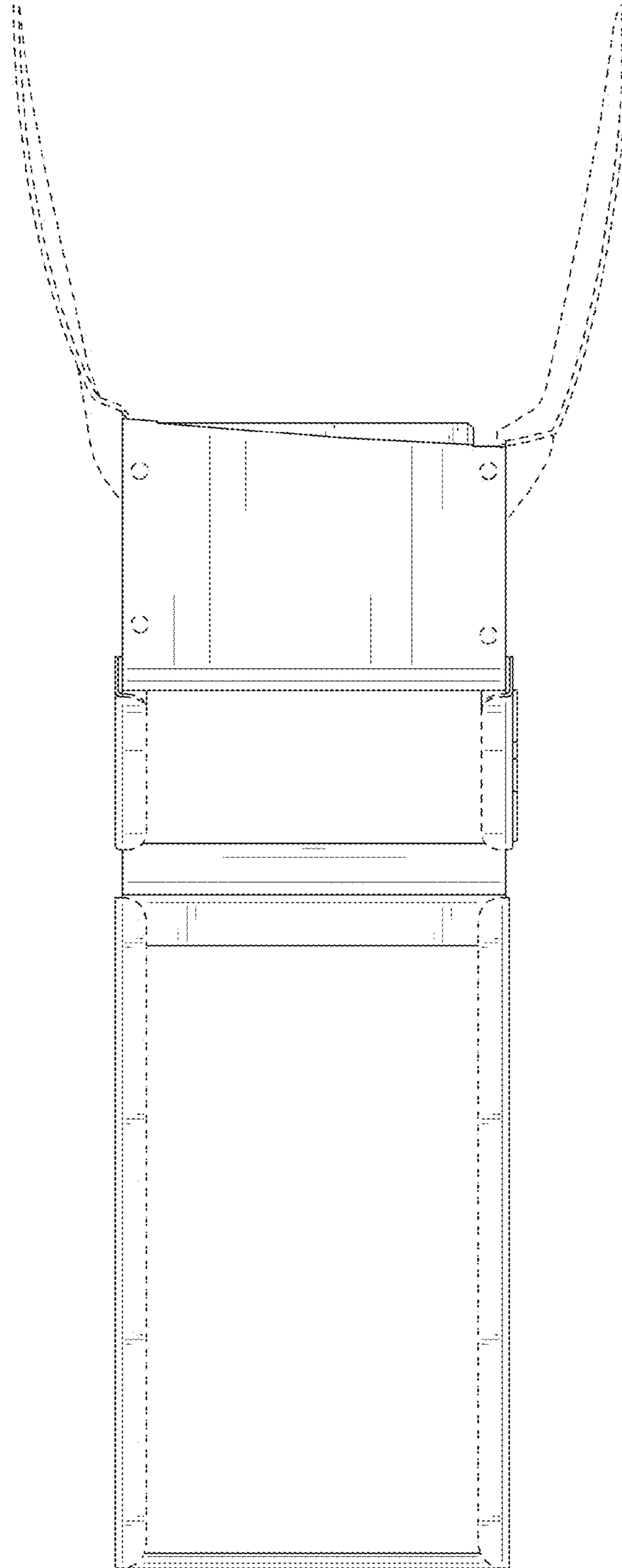


FIG. 5