



US00D710783S

(12) **United States Design Patent**
Behar et al.

(10) **Patent No.:** **US D710,783 S**

(45) **Date of Patent:** **** Aug. 12, 2014**

(54) **BIKE RACK**

(71) Applicant: **Landscape Forms, Inc.**, Kalamazoo, MI (US)

(72) Inventors: **Yves Behar**, San Francisco, CA (US); **Joshua Tree Morenstein**, San Francisco, CA (US); **Nick Cronan**, Oakland, CA (US); **Liam Adelman**, San Francisco, CA (US)

(73) Assignee: **Landscape Forms, Inc.**, Kalamazoo, MI (US)

(**) Term: **14 Years**

(21) Appl. No.: **29/448,523**

(22) Filed: **Mar. 13, 2013**

(51) **LOC (10) Cl.** **12-16**

(52) **U.S. Cl.**
USPC **D12/407**

(58) **Field of Classification Search**
USPC D12/406-414.1, 402, 420, 115;
D8/356; 224/419, 422, 430, 424, 428,
224/429, 448; 211/22, 5, 20, 21, 198, 200;
248/164; D6/349, 355

See application file for complete search history.

(56) **References Cited**

U.S. PATENT DOCUMENTS

2,806,605	A	*	9/1957	Loveland	211/22
D245,596	S	*	8/1977	Cohen et al.	D12/115
D262,532	S	*	1/1982	Levine	D12/115
D269,000	S	*	5/1983	Girard	D12/115
D291,976	S	*	9/1987	Alward et al.	D10/121
D294,234	S	*	2/1988	Lamond	D10/106.1
D298,746	S	*	11/1988	Whitworth et al.	D12/115
D302,258	S	*	7/1989	Kalisch et al.	D12/115
D302,804	S	*	8/1989	Mailhot et al.	D12/115
D302,805	S	*	8/1989	Hoyt	D12/115

D303,877	S	*	10/1989	Norton	D6/349
D305,308	S	*	1/1990	Adams et al.	D10/104.1
D318,247	S	*	7/1991	Shandelman	D10/106.1
5,030,941	A	*	7/1991	Lizzi et al.	340/541
D332,435	S	*	1/1993	Delage et al.	D12/115
D367,022	S	*	2/1996	Graber	D12/115
D374,849	S	*	10/1996	Chipman	D12/115
D408,763	S	*	4/1999	Graber	D12/115
D408,764	S	*	4/1999	Graber	D12/115
D409,118	S	*	5/1999	Graber	D12/115
5,959,531	A	*	9/1999	Gallagher et al.	340/572.1
D447,723	S	*	9/2001	Spangler	D12/115
D473,219	S	*	4/2003	Raymond	D14/230
D480,388	S	*	10/2003	Spelman et al.	D14/230
D512,229	S	*	12/2005	Reza-Hadden	D6/355
D529,433	S	*	10/2006	Kane	D12/408
D588,050	S	*	3/2009	Levine	D12/115
D589,629	S	*	3/2009	French	D25/41.1
D595,189	S	*	6/2009	Palmer	D12/115
D600,460	S	*	9/2009	Schwartz et al.	D6/355
D602,271	S	*	10/2009	Schwartz et al.	D6/355

(Continued)

Primary Examiner — Eric Goodman

Assistant Examiner — Ryan Harvey

(74) *Attorney, Agent, or Firm* — Heslin Rothenberg Farley & Mesiti P.C.

(57) **CLAIM**

The ornamental design for a bike rack, as shown and described.

DESCRIPTION

FIG. 1 is a perspective view of the bike rack of the present invention;

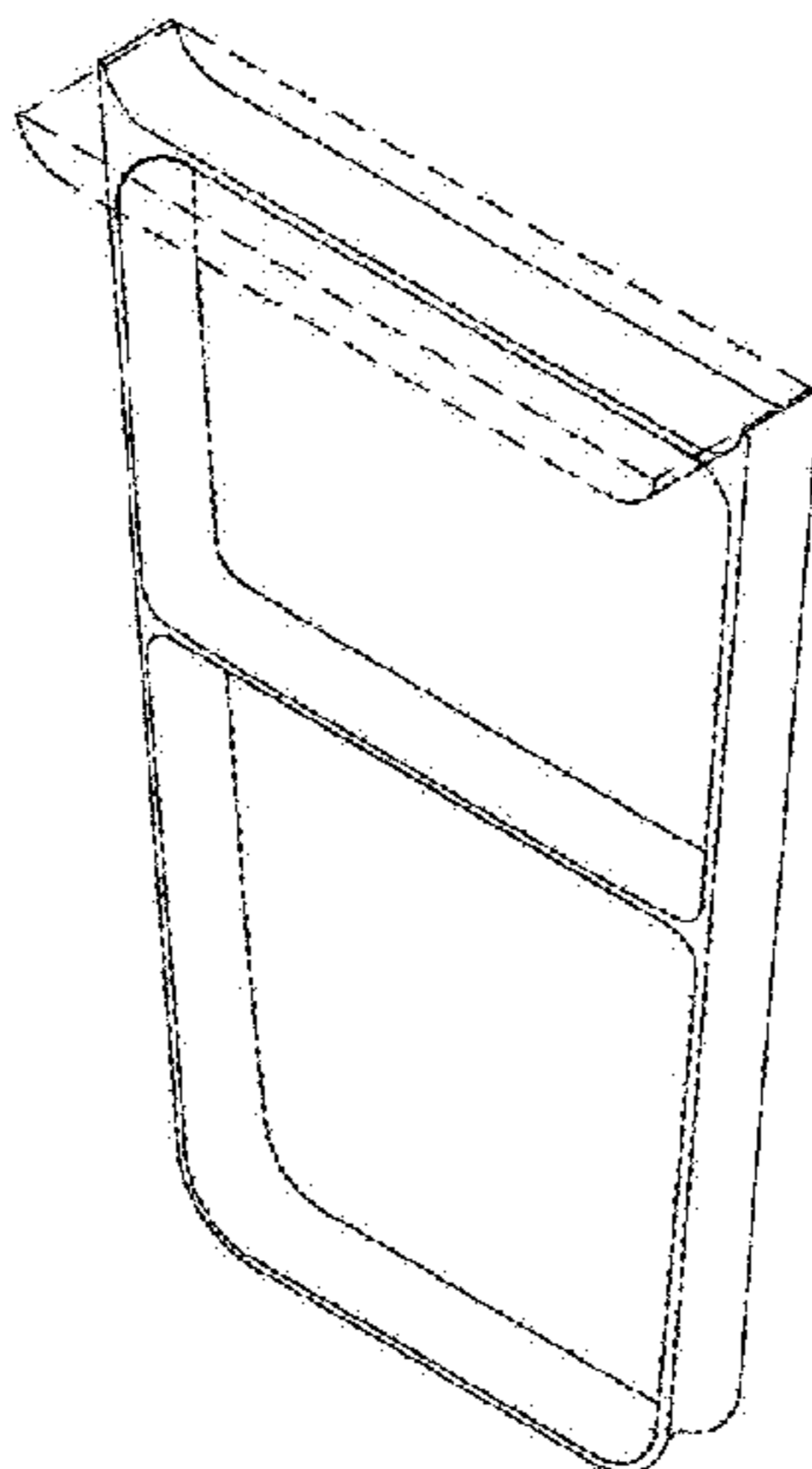
FIG. 2 is a front elevation view thereof, the rear elevation view being identical thereto;

FIG. 3 is a top plan view; and,

FIG. 4 is a right side elevation view, the left side elevation view being a mirror image thereof.

The broken line showing is for purposes of illustrating environmental structure and forms no part of the claimed design.

1 Claim, 4 Drawing Sheets



(56)

References Cited

U.S. PATENT DOCUMENTS

D613,646 S * 4/2010 Schwartz et al. D12/115
D617,238 S * 6/2010 Ohlman et al. D12/115
D625,524 S * 10/2010 Schwartz et al. D6/300

D644,446 S * 9/2011 Schwartz et al. D6/349
D648,658 S * 11/2011 Soto et al. D12/115
D658,551 S * 5/2012 Skalka D12/115
D665,709 S * 8/2012 Longfellow et al. D12/115
D670,209 S * 11/2012 Graham et al. D12/115

* cited by examiner

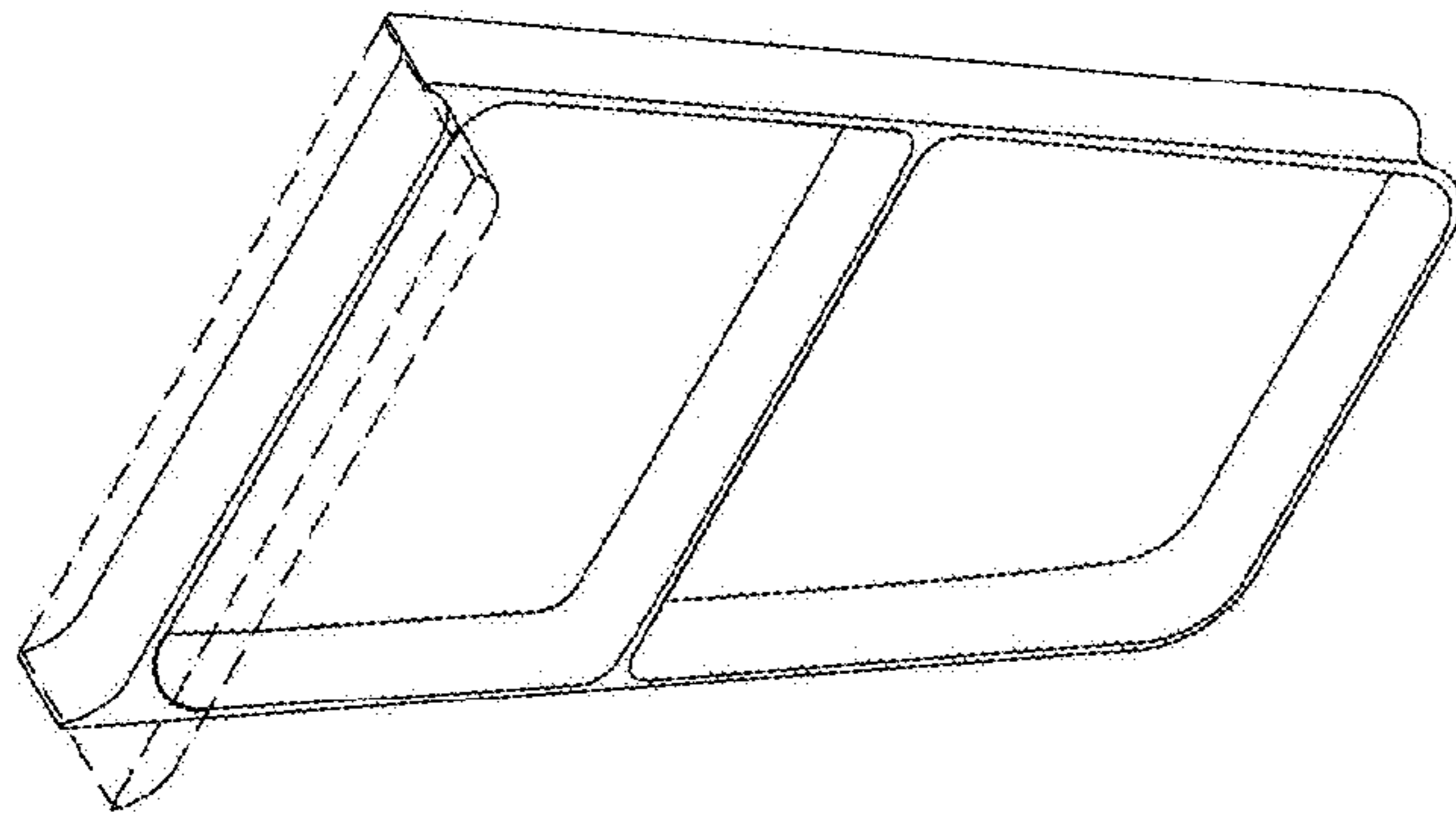


Figure 1

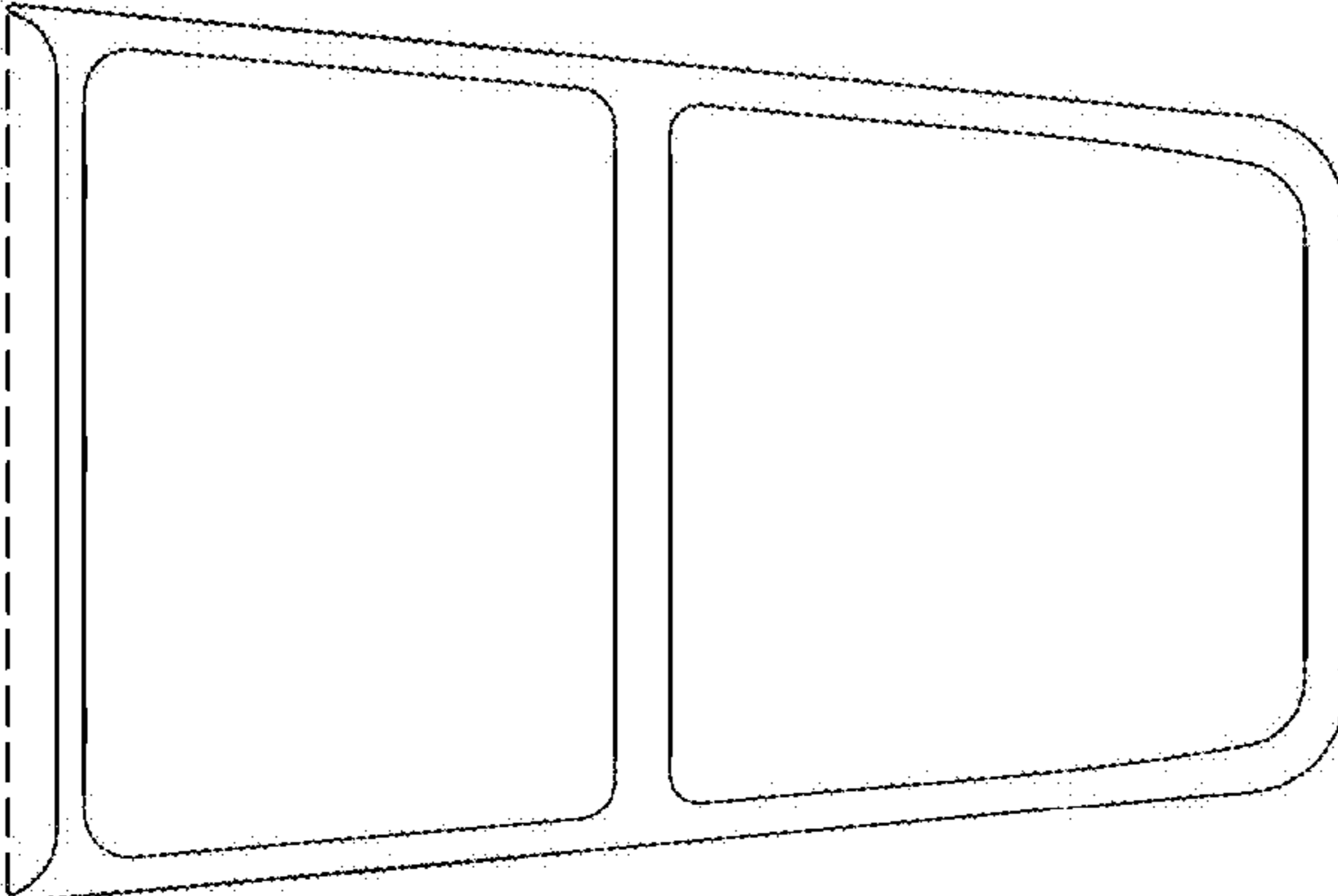


Figure 2

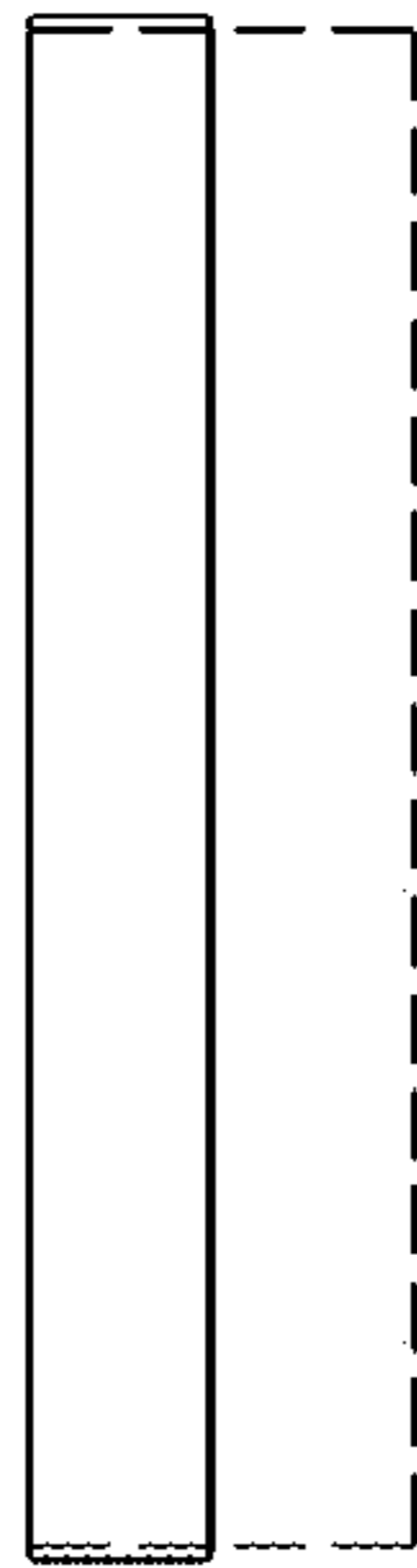


Figure 3

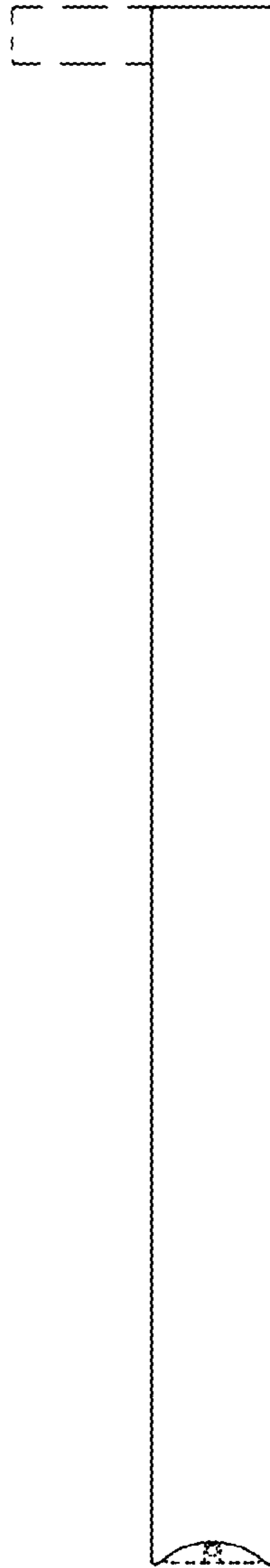


Figure 4